

Version 2.8

February 2021

Xerox® VersaLink® C500/C600 Color Printer

Xerox® VersaLink® C505/C605 Color Multifunction Printer

Customer Expectation and Installation Guide

© 2017 Xerox Corporation. All rights reserved. Unpublished rights reserved under the copyright laws of the United States. Contents of this publication may not be reproduced in any form without permission of Xerox Corporation.

Copyright protection claimed includes all forms of matters of copyrightable materials and information now allowed by statutory or judicial law or hereinafter granted, including without limitation, material generated from the software programs which are displayed on the screen such as styles, templates, icons, screen displays, looks, and so on.

Xerox® and Xerox and Design®, Phaser®, PhaserSMART®, PhaserMatch®, PhaserCal®, PhaserMeter™, ®, PagePack®, eClick®, PrintingScout®, Walk-Up®, WorkCentre®, FreeFlow®, SMARTsend®, Scan to PC Desktop®, MeterAssistant®, SuppliesAssistant®, Xerox Secure Access Unified ID System®, Xerox Extensible Interface Platform®, ColourQube®, ConnectKey®, Global Print Driver®, VersaLink™, AltaLink™, and Mobile Express Driver® are trademarks of Xerox Corporation in the United States and/or other countries.

Adobe® Reader®, Adobe® Type Manager®, ATM™, Flash®, Macromedia®, Photoshop®, and PostScript® are trademarks of Adobe Systems Incorporated in the United States and/or other countries.

Apple®, Bonjour®, EtherTalk™, TrueType®, iPad®, iPhone®, iPod®, iPod touch®, Mac® and Mac OS® are trademarks of Apple Inc., registered in the U.S. and other countries. AirPrint® and the AirPrint Logo® are trademarks of Apple Inc.

Google Cloud Print™ web printing service, Gmail™ webmail service, and Android™ mobile technology platform are trademarks of Google, Inc.

HP-GL®, HP-UX®, and PCL® are trademarks of Hewlett-Packard Corporation in the United States and/or other countries.

IBM® and AIX® are trademarks of International Business Machines Corporation in the United States and/or other countries.

Microsoft®, Windows Vista®, Windows®, and Windows Server® are trademarks of Microsoft Corporation in the United States and other countries.

McAfee®, ePolicy Orchestrator®, and McAfee ePO™ are trademarks or registered trademarks of McAfee, Inc. in the United States and other countries.

Novell®, NetWare®, NDPS®, NDS®, IPX™, and Novell Distributed Print Services™ are trademarks of Novell, Inc. in the United States and other countries.

PANTONE® and other Pantone, Inc. trademarks are the property of Pantone, Inc.

SGI® and IRIX® are trademarks of Silicon Graphics International Corp. or its subsidiaries in the United States and/or other countries.

Sun, Sun Microsystems, and Solaris are trademarks or registered trademarks of Oracle and/or its affiliates in the United States and other countries.

UNIX® is a trademark in the United States and other countries, licensed exclusively through X/ Open Company Limited.

Wi-Fi CERTIFIED Wi-Fi Direct® is a trademark of the Wi-Fi Alliance.

BR678

Product Overview

Introduction

This document is intended to help you understand the performance and capabilities of the Xerox® C500/C600 and Xerox® C505/C605, including information on optional accessories. Installation planning information is provided later in this document and it contains specifications and guidelines for installing your device. Specifications and data in this document include Xerox and customer proprietary information. The customer will use all reasonable efforts to safeguard the document, will not disclose its contents to third parties, and should only circulate it within the organization on a need-to-know basis.

Product Highlights

The compact C500/C600/C505/C605 excels in small office environments as well as large enterprise accounts where high-impact speed, and ease of use are important.

Convenience

- Compact designs fit in tight busy spaces
- Wi-Fi Direct
- NFC tap-to-pair
- Apple® AirPrint 1.5
- Mopria 1.2

Performance

- Up to 53ppm
- Dual head single pass scanner (MFP only)
- Large 550 Sheet Paper Tray
- Hefty processing power with generous amount of standard memory
- Outstanding output image quality

Ease

- Large 5.0" colour capacitive touchscreen (swipe) interface for Printer version, and large 7.0" colour capacitive touchscreen for Multi-Function Printer version.
- Scan to email (MFP only)
- Scan to and print from USB at the device (Scan to MFP only)
- App Gallery inbox App for easy access to downloadable Apps
- Optional 2000 Sheet High Capacity Feeder
- Optional Finisher and mailbox accessories for C600/C605 (L config only)

System / Product Configuration

Each version of the product will be available in the following configurations. The C500/C600 will be available in the Printer only configuration at 43/53 ppm. The C505/C605 will be available in 43/53ppm Multi-Function Printer configurations. Both configurations will also be available in duplex and non-duplex versions.

C500/C600 Printer



C505/C605 Multi-Function Printer



Detailed Specifications and Product Brochures

Xerox® VersaLink® C500 Color Printer and C505 Color Multifunction Printer Brochure

[Xerox VersaLink C500 Color Printer and Xerox VersaLink C505 Color Multifunction Printer Brochure](#)

Xerox® VersaLink® C600 Color Printer Brochure

[Xerox VersaLink C600 Color Printer Brochure](#)

Xerox® VersaLink® C605 Color Multifunction Printer Product Brochure

[Xerox VersaLink C605 Color Multifunction Printer Brochure](#)

VersaLink C500 Color Printer – Detailed Specification Sheet

[Xerox® VersaLink® C500 Color Printer](#)

VersaLink C600 Color Printer – Detailed Specification Sheet

[Xerox® VersaLink® C600 Color Printer](#)

Versalink C505 Color Multifunction Printer – Detailed Specification Sheet

[Xerox® VersaLink® C505 Color Multifunction Printer](#)

Versalink C605 Color Multifunction Printer – Detailed Specification Sheet

[Xerox® VersaLink C605 Color Multifunction Printer](#)

Maintenance and Support

This section helps define the support and services that Xerox will supply and what is expected of the customer.

Customer/Operator Maintenance

Support Services

The majority of service related issues can be resolved by the customer using the Xerox Online Support tools from the device driver resident on the computer, or through the device Embedded Web Server page. To supplement the Xerox Online Support experience, knowledgeable support resources will be available via the phone. The phone support resources typically resolve issues on the first call. For issues that cannot be resolved over the phone, customers will typically receive onsite field service the following day from a combination of Xerox Employees and Xerox Authorized National Service Providers. In addition to onboard, driver based customer tools, telephone and on-site service, customers will also have access to web technical support: www.xerox.com/officeprinting/support/.

Call Procedure

Contact your local sales and service team for details:

Product Sustainability

Packaging Take-Back Service for Xerox Branded Products: (US only) Whenever possible, Xerox encourages you to recycle packaging locally as it reduces greenhouse gas emissions associated with transportation. However, if unable to recycle locally, we offer a packaging take-back and recycling service to our customers for Xerox branded products, where customers pay for the return shipping and Xerox pays for the recycling. If interested in this service, please send your packaging to: Xerox Corporation, ESSO – Scrap, 6500 State Route 63, Middletown, OH 45044 , ATTN: EPEAT Packaging Returns.

Consumables for this product are part of the Xerox Green World Alliance Supplies Recycling Program. For more information, please visit the Green World Alliance website at www.xerox.com/gwa.

Supplies and Consumables

Xerox supplies for your machine, including paper and CRUs, can be ordered from Xerox by going to www.xerox.com and clicking on either the Contact Us link for specific contact information/telephone numbers in your area or by clicking on the Supplies and entering/selecting your specific machine information (product family and model type).

Note: Always refer to www.xerox.com for the latest Customer Replaceable Units (CRUs) part numbers.

Recommended Toner Supplies

C500/C505

| Item Description/Yield | Xerox Order# |
|--|--------------|
| CYAN DRUM CARTRIDGE - VL C500/C505 (40K PAGES) | 108R01481 |
| MAGENTA DRUM CARTRIDGE - VL C500/C505 (40K PAGES) | 108R01482 |
| YELLOW DRUM CARTRIDGE - VL C500/C505 (40K PAGES) | 108R01483 |
| BLACK DRUM CARTRIDGE - VL C500/C505 (40K PAGES) | 108R01484 |
| CYAN TONER CART, STARTER - VL C500/C505 (2,400 PAGES) | 106R03851 |
| MAGENTA TONER CART, STARTER - VL C500/C505 (2,400 PAGES) | 106R03852 |
| YELLOW TONER CART, STARTER - VL C500/C505 (2,400 PAGES) | 106R03853 |
| BLACK TONER CART, STARTER - VL C500/C505 (5,000 PAGES) | 106R03854 |
| CYAN TONER CART, METERED - VL C500/C505 (9,000 PAGES) | 106R03855 |
| MAGENTA TONER CART, METERED - VL C500/C505 (9,000 PAGES) | 106R03856 |

| | |
|--|-----------|
| YELLOW TONER CART, METERED - VL C500/C505 (9,000 PAGES) | 106R03857 |
| BLACK TONER CART, METERED - VL C500/C505 (19,200 PAGES) | 106R03858 |
| CYAN TONER CART, STD NA/XE - VL C500/C505 (2,400 PAGES) | 106R03859 |
| MAGENTA TONER CART, STD NA/XE - VL C500/C505 (2,400 PAGES) | 106R03860 |
| YELLOW TONER CART, STD NA/XE - VL C500/C505 (2,400 PAGES) | 106R03861 |
| BLACK TONER CART, STD NA/XE - VL C500/C505 (5,000 PAGES) | 106R03862 |
| CYAN TONER CART, HI XE - VL C500/C505 (5,200 PAGES) | 106R03870 |
| MAGENTA TONER CART, HI XE - VL C500/C505 (5,200 PAGES) | 106R03871 |
| YELLOW TONER CART, HI XE - VL C500/C505 (5,200 PAGES) | 106R03872 |
| CYAN TONER CART, XHI XE - VL C500/C505 (9,000 PAGES) | 106R03873 |
| MAGENTA TONER CART, XHI XE - VL C500/C505 (9,000 PAGES) | 106R03874 |
| YELLOW TONER CART, XHI XE - VL C500/C505 (9,000 PAGES) | 106R03875 |
| BLACK TONER CART, HI XE - VL C500/C505 (12,100 PAGES) | 106R03876 |

C600/C605

| Item Description/Yield | Xerox Order# |
|--|--------------|
| CYAN DRUM CARTRIDGE - VL C600/C605 (40K PAGES) | 108R01485 |
| MAGENTA DRUM CARTRIDGE - VL C600/C605 (40K PAGES) | 108R01486 |
| YELLOW DRUM CARTRIDGE - VL C600/C605 (40K PAGES) | 108R01487 |
| BLACK DRUM CARTRIDGE - VL C600/C605 (40K PAGES) | 108R01488 |
| CYAN TONER CART, STARTER - VL C600/C605 (6,000 PAGES) | 106R03888 |
| MAGENTA TONER CART, STARTER - VL C600/C605 (6,000 PAGES) | 106R03889 |
| YELLOW TONER CART, STARTER - VL C600/C605 (6,000 PAGES) | 106R03890 |
| BLACK TONER CART, STARTER - VL C600/C605 (10,000 PAGES) | 106R03891 |
| CYAN TONER CART, METERED - VL C600/C605 (16,800 PAGES) | 106R03892 |
| MAGENTA TONER CART, METERED - VL C600/C605 (16,800 PAGES) | 106R03893 |
| YELLOW TONER CART, METERED - VL C600/C605 (16,800 PAGES) | 106R03894 |
| BLACK TONER CART, METERED - VL C600/C605 (21,000 PAGES) | 106R03895 |
| CYAN TONER CART, STD NA/XE - VL C600/C605 (6,000 PAGES) | 106R03896 |
| MAGENTA TONER CART, STD NA/XE - VL C600/C605 (6,000 PAGES) | 106R03897 |
| YELLOW TONER CART, STD NA/XE - VL C600/C605 (6,000 PAGES) | 106R03898 |
| BLACK TONER CART, STD NA/XE - VL C600/C605 (6,000 PAGES) | 106R03899 |
| CYAN TONER CART, HI XE - VL C600/C605 (10,100 PAGES) | 106R03904 |
| MAGENTA TONER CART, HI XE - VL C600/C605 (10,100 PAGES) | 106R03905 |
| YELLOW TONER CART, HI XE - VL C600/C605 (10,100 PAGES) | 106R03906 |
| BLACK TONER CART, HI XE - VL C600/C605 (12,200 PAGES) | 106R03907 |
| CYAN TONER CART, XHI XE - VL C600 (16,800 PAGES) | 106R03920 |
| MAGENTA TONER CART, XHI XE - VL C600 (16,800 PAGES) | 106R03921 |
| YELLOW TONER CART, XHI XE - VL C600 (16,800 PAGES) | 106R03922 |
| BLACK TONER CART, XHI XE - VL C600 (16,900 PAGES) | 106R03923 |
| CYAN TONER CART, XHI XE - VL C605 (16,800 PAGES) | 106R03932 |
| MAGENTA TONER CART, XHI XE - VL C605 (16,800 PAGES) | 106R03933 |
| YELLOW TONER CART, XHI XE - VL C605 (16,800 PAGES) | 106R03934 |

| | |
|---|-----------|
| BLACK TONER CART, XHI XE - VL C605 (16,900 PAGES) | 106R03935 |
|---|-----------|

*Average standard pages. Declared Yield in accordance with ISO/IEC 11798. Yield will vary based on image, area coverage and print mode.

Frequency of supplies replenishment for printing and periodic maintenance will vary depending on monthly print volume, type of maintenance contract, and applications. Check with your supplies help desk for details.

Installation Preparation

Roles and Responsibilities

This section is key to clearly state Xerox/Partner and the customer roles and responsibilities and necessary actions. **Responsibility Matrix**

| Action | Customer | Xerox/Partner |
|---|----------|---------------|
| Ensure adequate space and power to install system | X | |
| Ensure Site survey is completed and the size requirements are communicated to the customer. | | X |
| Unpack system / components | X | |
| Install system hardware | X | |
| Connect all System Components prior to powering up the system | X | |
| Ensure network configuration | X | |
| Confirm network integrity | X | |
| Acquire and install client software including print drivers | X | |
| Run initial software diagnostics when directed | X | |
| Monitor and adjust as required | X | |
| Load any additional fonts | X | |
| Order and replace Customer Replaceable Units as needed. | X | |
| Provide Help Line support | | X |
| Provide spared parts | | X |

Installation Planning

C500

| Dimensions and Weights (Unpackaged) | | | | |
|-------------------------------------|--------------------|--------------------|--------------------|--------------------|
| Configuration | Width | Depth | Height | Weight |
| VersaLink C500/N | 16.8 in / 427.4 mm | 18.3 in / 465.5 mm | 17.5 in / 443.5 mm | 60.8 lbs / 27.6 kg |
| VersaLink C500/DN | 16.8 in / 427.4 mm | 18.3 in / 465.5 mm | 17.5 in / 443.5 mm | 60.8 lbs / 27.6 kg |
| 550-sheet Paper Tray | 16.5 in / 420 mm | 18.3 in / 465 mm | 4.8 in / 123 mm | 14.6 lbs / 6.6 kg |
| High Capacity Feeder | 28.5 in / 724 mm | 30.6 in / 778 mm | 18.1 in / 459 mm | 43.4 lbs / 19.7 kg |

C500

| Dimensions and Weights (Packaged) | | | | |
|-----------------------------------|------------------|------------------|------------------|-------------------|
| Configuration | Width | Depth | Height | Weight |
| VersaLink C500/N | 22.8 in / 580 mm | 25 in / 634 mm | 23.9 in / 607 mm | 75 lbs / 34 kg |
| VersaLink C500/DN | 22.8 in / 580 mm | 25 in / 634 mm | 23.9 in / 607 mm | 75 lbs / 34 kg |
| 550-sheet Paper Tray | 21.1 in / 535 mm | 23 in / 584 mm | 18.1 in / 459 mm | 18.7 lbs / 8.5 kg |
| High Capacity Feeder | 22.4 in / 568 mm | 26.1 in / 663 mm | 28 in / 711 mm | 83.8 lbs / 38 kg |

C505

| Dimensions and Weights (Unpackaged) | | | | |
|-------------------------------------|------------------|------------------|------------------|--------------------|
| Configuration | Width | Depth | Height | Weight |
| VersaLink C505/S | 18.5 in / 470 mm | 19.9 in / 506 mm | 25.4 in / 644 mm | 77.2 lbs / 35 kg |
| VersaLink C505/X | 18.5 in / 470 mm | 19.9 in / 506 mm | 25.4 in / 644 mm | 77.2 lbs / 35 kg |
| 550-sheet Paper Tray | 16.5 in / 420 mm | 18.3 in / 465 mm | 4.8 in / 123 mm | 14.6 lbs / 6.6 kg |
| High Capacity Feeder | 28.5 in / 724 mm | 30.6 in / 778 mm | 18.1 in / 459 mm | 43.4 lbs / 19.7 kg |

C505

| Dimensions and Weights (Packaged) | | | | |
|-----------------------------------|------------------|------------------|------------------|-------------------|
| Configuration | Width | Depth | Height | Weight |
| VersaLink C505/S | 23.4 in / 594 mm | 25.8 in / 655 mm | 31.1 in / 789 mm | 94.8 lbs / 43 kg |
| VersaLink C505/X | 23.4 in / 594 mm | 25.8 in / 655 mm | 31.1 in / 789 mm | 94.8 lbs / 43 kg |
| 550-sheet Paper Tray | 21.1 in / 535 mm | 23 in / 584 mm | 18.1 in / 459 mm | 18.7 lbs / 8.5 kg |
| High Capacity Feeder | 22.4 in / 568 mm | 26.1 in / 663 mm | 28 in / 711 mm | 83.8 lbs / 38 kg |

C600

| Dimensions and Weights (Unpackaged) | | | | |
|-------------------------------------|--------------------|--------------------|--------------------|--------------------|
| Configuration | Width | Depth | Height | Weight |
| VersaLink C600/N | 16.8 in / 427.4 mm | 18.3 in / 465.5 mm | 17.5 in / 443.5 mm | 64.8 lbs / 29.4 kg |
| VersaLink C600/DN | 16.8 in / 427.4 mm | 18.3 in / 465.5 mm | 17.5 in / 443.5 mm | 64.8 lbs / 29.4 kg |
| 550-sheet Paper Tray | 16.5 in / 420 mm | 18.3 in / 465 mm | 4.8 in / 123 mm | 14.6 lbs / 6.6 kg |
| High Capacity Feeder | 28.5 in / 724 mm | 30.6 in / 778 mm | 18.1 in / 459 mm | 43.4 lbs / 19.7 kg |

C600

| Dimensions and Weights (Packaged) | | | | |
|-----------------------------------|------------------|------------------|------------------|-------------------|
| Configuration | Width | Depth | Height | Weight |
| VersaLink C600/N | 22.8 in / 580 mm | 25 in / 634 mm | 23.9 in / 607 mm | 77.2 lbs / 35 kg |
| VersaLink C600/DN | 22.8 in / 580 mm | 25 in / 634 mm | 23.9 in / 607 mm | 77.2 lbs / 35 kg |
| 550-sheet Paper Tray | 21.1 in / 535 mm | 23 in / 584 mm | 18.1 in / 459 mm | 18.7 lbs / 8.5 kg |
| High Capacity Feeder | 22.4 in / 568 mm | 26.1 in / 663 mm | 28 in / 711 mm | 83.8 lbs / 38 kg |

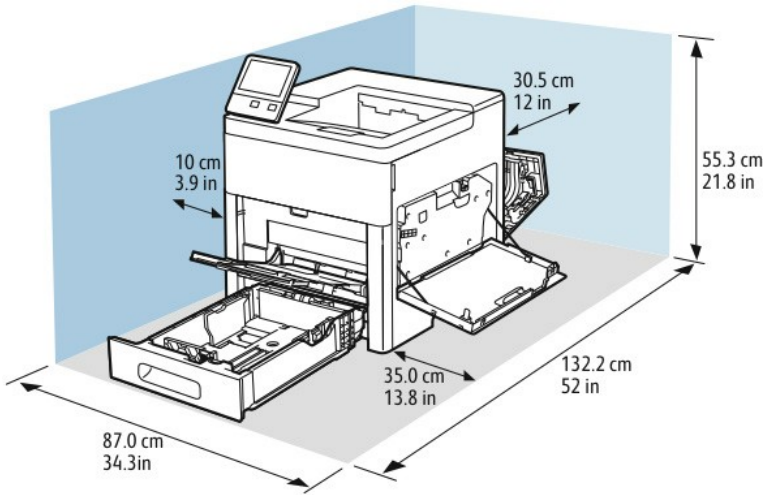
C605

| Dimensions and Weights (Unpackaged) | | | | |
|-------------------------------------|------------------|--------------------|--------------------|--------------------|
| Configuration | Width | Depth | Height | Weight |
| VersaLink C605/X/XL | 18.5 in / 470 mm | 19.9 in / 505.5 mm | 25.3 in / 643.7 mm | 79.6 lbs / 36.1 kg |
| 550-sheet Paper Tray | 16.5 in / 420 mm | 18.3 in / 465 mm | 4.8 in / 123 mm | 14.6 lbs / 6.6 kg |
| High Capacity Feeder | 28.5 in / 724 mm | 30.6 in / 778 mm | 18.1 in / 459 mm | 43.4 lbs / 19.7 kg |

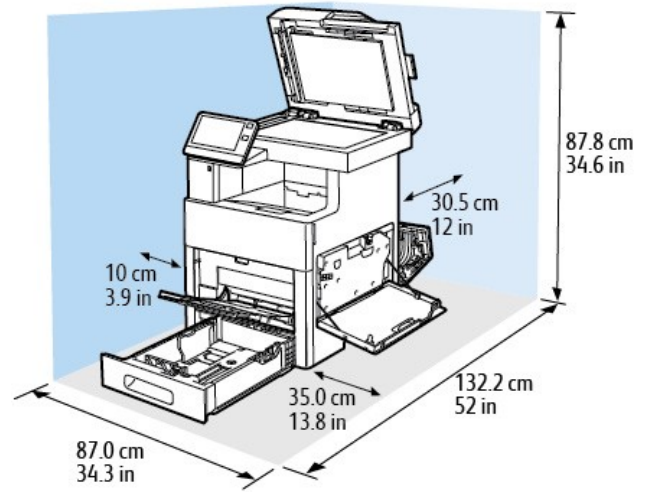
C605

| Dimensions and Weights (Packaged) | | | | |
|-----------------------------------|------------------|------------------|------------------|-------------------|
| Configuration | Width | Depth | Height | Weight |
| VersaLink C605/X/XL | 23.4 in / 594 mm | 25.8 in / 655 mm | 31.1 in / 789 mm | 97 lbs / 44 kg |
| 550-sheet Paper Tray | 21.1 in / 535 mm | 23 in / 584 mm | 18.1 in / 459 mm | 18.7 lbs / 8.5 kg |
| High Capacity Feeder | 22.4 in / 568 mm | 26.1 in / 663 mm | 28 in / 711 mm | 83.8 lbs / 38 kg |

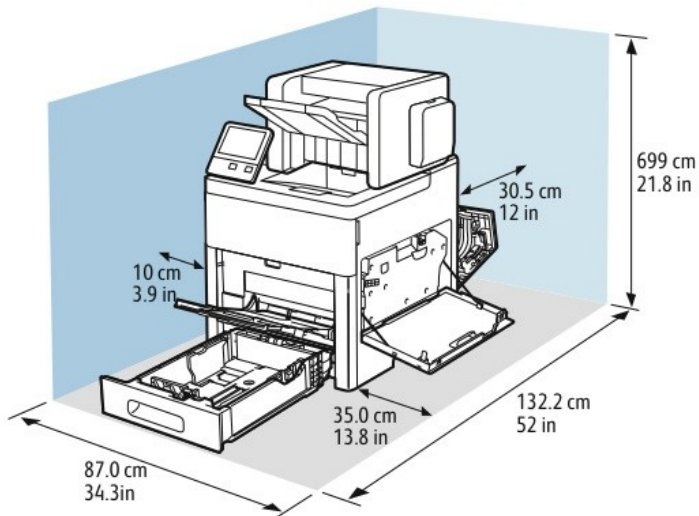
C500/C600 Install Space:



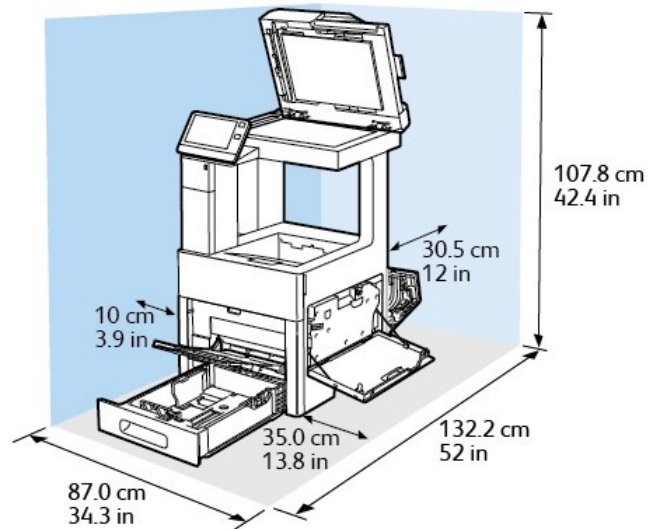
C505/C605 Install Space:



C500/C600 Install Space:



C505/C605 Install Space:



Appendix

Customer Expectations Agreement

I have reviewed and understand the product expectations and installation preparation requirements, as referenced in this CEIG document: (Signatures Required)

Customer _____

Xerox/Partner Sales Representative _____

Xerox/Partner Analyst Representative _____

Xerox/Partner Service Representative _____