

# HYPER TOUGH

## CAMP 4-1/2" Angle Grinder

### INSTRUCTION MANUAL

AQ15013G



**CALIFORNIA PROP 65**  
**WARNING:** Some dust created by power sanding, sawing, grinding, drilling and other construction activities contains chemicals known to the state of California to cause cancer, birth defects or other reproductive harm. Some examples of these chemicals are:  
 • Lead from lead-based paints.  
 • Crystalline silica from bricks and cement and other masonry products, and  
 • Arsenic and chromium from chemically-treated lumber.  
 Your risk from these exposures varies, depending on how often you do this type of work. To reduce your exposure to these chemicals, work in a well-ventilated area, and work with approved safety equipment, such as those dust masks that are specially designed to filter out microscopic particles.  
 For more information go to [HYPERLINK](http://www.P65Warnings.ca.gov)  
<http://www.P65Warnings.ca.gov>

**Please read before returning this product to the store for any reason:**  
 If you have questions or experience a problem with your Ultra Steel purchase, call 1-800-840-7856 from 8 a.m. to 5 p.m. Eastern time Monday through Friday

**SAFETY GUIDELINES**  
**Be sure to read and understand this manual for your safety.** When using this product it is important to read and understand this information. It will protect you and help prevent any problems.

Here are the guidelines to help you understand the symbols used in this guide.  
**DANGER:** Indicates a potentially hazardous situation which could result in death or serious injury.  
**WARNING:** Indicates the situation which could result in death or serious injury.  
**CAUTION:** Indicates a potentially hazardous situation which could result in mild to moderate injury.  
**NOTICE:** When used without the Safety Alert symbol, this indicates a potentially hazardous which, if not avoided, can result in property damage.

**GENERAL POWER TOOLS SAFETY WARNINGS**  
**WARNING:** Read all of the instructions and pay close attention to the safety warnings. Failure to follow the warnings and instructions can result in electric shock fire and/or serious injury.

**SAVE THESE WARNINGS AND INSTRUCTIONS**  
**YOU MAY NEED TO REFER TO THEM LATER**  
 The term "power tool" in the warnings refers to your mains-operated (corded) power tool or battery-operated (cordless) power tool.

**SAFETY WARNINGS AND INSTRUCTIONS**  
 1) This manual contains important safety and operating instructions.  
 2) Be sure that any attachments are recommended or sold by Hyper Tough use of attachments by other manufacturers may not meet the same requirements and can result in fire, electric shock, or injury.  
 3) Never pull by the cord - always pull by the plug when disconnecting.  
 4) Never open the power tool - there are no parts inside that are serviceable by the customer.  
 5) NEVER incinerate the power tool when it is ready to be discarded. It can explode in a fire.

#### SAVE THESE INSTRUCTIONS

**1) WORK AREA SAFETY**  
 • Keep your area well lit and clear of clutter that can invite accidents.  
 • Operate your tools in a safe area free of the presence of flammable liquids, gases, dust or potentially explosive atmospheres. Power tools can create sparks which can combust.  
 • Keep all distractions such as children away while operating the power tool. Distractions can cause accidents, or cause you to lose control.

**2) ELECTRICAL SAFETY**  
**a) To reduce the risk of electrical shock, power tool plugs must match the outlet.** Double insulated tools are equipped with a polarized plug (one blade is wider than the other). The plug is designed to fit into a polarized outlet only one way. If the plug does not fit properly into the outlet, try reversing the plug - if it still does not fit, you need to find an outlet that is polarized, or contact a qualified electrician to install a polarized outlet.  
**Don't modify the plug and don't use any plug adapters with earth grounded power tools.** Double insulation eliminates the need for the three wire grounded power cord and grounded power supply system.  
**b) Avoid bodily contact with grounding services such as ranges, refrigerators, pipes, radiators;** there is a higher risk of electrical shock if your body is grounded.  
**c) Don't expose your power tools to wet conditions or rain.** Water entering a power tool will increase the risk of electrical shock.  
**d) Do not abuse the cord.** Never use the cord to carry the tool or pull the plug from an outlet. Keep cord away from heat, oil, sharp edges or moving parts. Replace damaged cords immediately. Damaged cords increase the risk of electric shock.  
**e) Be sure to use electrical supplies that are suitable for the conditions.** If working outdoors, use extension cords rated for outdoor use (marked "W-A" or "W") - this reduces the risk of electrical shock.  
**f) If you have to work in a damp location, be sure to use a ground fault circuit interrupter (GFCI) protected supply.** This will help reduce the risk of electrical shock.

**ELECTRICAL SAFETY (CONT.) - EXTENSION CORD USE**  
 1) Make sure the cord is clear and secure - do not step on, trip or otherwise damage or stress the cord.  
 2) Don't use an extension cord unless you have to - use of an improper extension cord can result in fire, shock or electrocution.  
**a. Two-wire cords can be used with 2-wire or 3-wire extension cords. Only round jacketed UL (Underwriters Laboratories) listed extension cords should be used.** If you are going to use an extension cord outside, make sure the cord is manufactured for outdoor use. NOTE: Most cords used for outdoor use can also be used indoors. The letters "W" or "WA" on the cord jacket mean the cord is suitable for outdoor use.  
**b. An extension cord must be of the proper gauge (wire size) - AWG or American Wire Gauge to be used safely, prevent power loss, and prevent overheating.** NOTE: The smaller the wire number, the greater the capacity of that cable; for instance, 16 gauge has more capacity than 18 gauge. If you must use more than one extension cord, be sure each extension has at least the minimum required gauge size.

Amps from Tool Nameplate	Recommended Minimum Wire Gauge for Extension Cords				
	25' length	50' length	75' length	100' length	150' length
0-5 amps	16 ga.	16 ga.	16 ga.	14 ga.	12 ga.
5.1-8 amps	16 ga.	16 ga.	16 ga.	14 ga.	12 ga.
8.1-12 amps	14 ga.	14 ga.	14 ga.	12 ga.	10 ga.
12.1-15 amps	12 ga.	12 ga.	12 ga.	10 ga.	10 ga.
15.1-20 amps	10 ga.	10 ga.	10 ga.	Do Not Use	Do Not Use

**3. PERSONAL SAFETY**  
**a) Stay alert when operating this machinery to avoid the possibility of personal injury. Do not use these tools if you are under the influence of drugs, alcohol, or medication.** Do not operate this machinery if you are tired.  
**b) Use adequate personal protection - always wear eye protection.** Suggested protective equipment include nonskid safety shoes, dust mask, hearing protection and/or a hard hat.  
**c) Prevent unintentional starting - ensure that the power switch is off before plugging into a power source.** Don't carry the tool by the trigger.  
**d) Remove adjusting keys or switches before turning the tools on.** A wrench or a key that is left attached to a rotating part of the tools may result in personal injury.  
**e) Do not overreach.** Keep proper footing and balance at all times. Proper footing and balance enables better control of the tools in unexpected situation.  
**f) Dress properly. Loose clothing or long hair can become entangled in the moving parts of this machine - keep your clothes, gloves, hair or jewelry away from any moving machinery.**  
**g) Be sure to properly connect and use any devices that extract and collect dust.** When used properly, dust collection can reduce situations related to dust and debris hazards.  
**h) Do not run the angle grinder while carrying it at your side.** A spinning wheel could become entangle with clothing and injury may result.  
**i) Do not use the angle grinder if it has been damaged, left outdoors in the rain, snow, wet or damp environments, or immersed in liquid.**

**4. POWER TOOL USE AND CARE**  
**a) Use clamps or other practical way to secure and support the workpiece to a stable platform.** Holding the work by hand or against your body is unstable and may lead to loss of control.  
**b) Do not force tool. Use the correct tools for your application.** The correct tools will do the job better and safer at the rate for which it is designed.  
**c) Do not use tools if switch does not turn it on or off.** Any tool that cannot be controlled with the switch is dangerous and must be repaired.  
**d) Disconnect the plug from the power source before making any adjustments, changing accessories or storing the tool.** Such preventive safety measures reduce the risk of starting the tools accidentally.  
**e) Store idle tools out of reach of children and other untrained persons.** Tools are dangerous in the hands of untrained users.  
**f) Maintain tools with care. Keep cutting tools sharp and clean.** Properly maintained tools with sharp cutting edges are less likely to bind and are easier to control.  
**g) Check for misalignment or binding of moving parts, breakage of parts and any other condition that may affect the tools operation. If damaged, have the tools serviced before using.** Many accidents are caused by poorly maintained tools.  
**h) Use only accessories that are recommended by the manufacturer for your model.** Accessories that may be suitable for one tool, may become hazardous when used on another tool.  
**i) Use this power tool and accessories in accordance with the instructions; always take into account the work to be performed and the conditions in which the work will be performed.** Use of this tool for anything other than what it was designed could be harmful.

**5. Hold tool by insulated gripping surfaces when performing an operation where the cutting tool may contact hidden wiring or its own cord.** Contact with a "live" wire will make exposed metal parts of the tool "live" and shock the operator.  
**6. SERVICE**  
**a) Tool service must be performed only by qualified repair personnel.** Service or maintenance performed by unqualified personnel could result in a risk of injury.  
**b) When servicing a tool, use only identical replacement parts.** Follow instructions in the maintenance section of the manual. Use of unauthorized parts or failure to follow. Maintenance instructions may create a risk of electric shock or injury.

**SPECIFIC SAFETY RULES**  
**• Exposure to loud noise can cause hearing damage.** Always wear ear protection when using power equipment.  
**WARNING: ALWAYS use safety glasses.** Everyday eye glasses are NOT safety glasses.  
**• Use face or dust mask if operation is dusty.**

**ALWAYS WEAR CERTIFIED SAFETY EQUIPMENT:**  
 • ANSI Z87.1 eye protection (CAN/CSA Z94.3)  
 • ANSI S12.6 (CS 19) hearing protection  
 • NIOSH/OSHA respiratory protection

**• For optimum control of your power tool, always use the auxiliary handles that come with the tool.**  
**• Your tool has insulated gripping surfaces - be sure to hold the power tool by these surfaces to avoid electrical shock if the cutting part of the tool should make contact with a "live" wire.**  
**• For best safety measures, lay the tool on it's side when not in use, particularly if you're working on a ladder or scaffold, high off the ground.** Tools with large battery packs can stand upright, but they're easily tipped over, which could cause result in an injury.  
**• Power tools exert extreme force - be sure the item you're working on is firmly secured with clamps or other reliable means.** Do not try to hold the item by hand or against your body - you might lose control and be injured.  
**• Keep hair, clothing or gloves away from air vents, as they may become entangled in the moving mechanism around these areas.**  
**• Hold the tool firmly with both hands. Use the auxiliary handle if available; if there is no auxiliary handle, grip the handle at the bottom.** Losing control of the device can result in personal injury.

**STAY ALERT**  
**Watch what you are doing and use common sense. Don't operate any tool when you are tired.**

Your risk from these exposures varies depending on how often you do work that involves these materials.  
 To reduce exposure risk, work in a well ventilated area with approved safety equipment like dust masks that are designed to filter out microscopic particles.

**• Avoid prolonged contact with dust from construction activities like power sanding, sawing, grinding, and drilling. Always wear protective clothing and immediately wash any exposed areas with soap and water.** If you allow dust to get into your eyes or mouth, or stay on your skin, you risk absorption of these harmful chemicals.  
**WARNING: Dust from use of this tool on construction material may cause serious and/or permanent respiratory (or other) injury.** Direct the particles away from your face, and be sure to use NIOSH/OSHA approved respiratory protection against dust exposure.

**SAFETY PRECAUTIONS FOR ANGLE GRINDER**  
**• Use Only With Guard In Place.** The guard protects you, the operator, from broken pieces of the grinding wheel or cutting disc should it shatter in use.  
**• Always Check The Speed Rating of Accessories.** This tool will spin accessories at 11,500 rpm. Accessories not rated for speeds this high may fly apart and could cause serious injury.

**Symbols**  
 For your easy reference, here are the tools symbols you may see on your tool label:  
 V.....volts                      A.....amperes  
 Hz.....hertz                        W.....watts  
 min.....minutes                      ~.....alternating current  
 ———direct current                      ~~~~~no load speed  
 □ .....Class II Construction                      ⊕.....earthing terminal  
 ⚠ .....safety alert symbol                      ↻/min.....revolutions or reciprocations per minute

**TOOL USE AND CARE**  
**• Use clamps or other practical way to secure and support the workpiece to a stable platform.** Holding the work by hand or against your body is unstable and may lead to loss of control.  
**• Do not force tool. Use the correct tools for your application.** The correct tools will do the job better and safer at the rate for which it is designed.  
**• Do not use tools if switch does not turn it on or off.** Any tool that cannot be controlled with the switch is dangerous and must be repaired.  
**• Disconnect the plug from the power source before making any adjustments, changing accessories or storing the tool.** Such preventive safety measures reduce the risk of starting the tools accidentally.  
**• Store idle tools out of reach of children and other untrained persons.** Tools are dangerous in the hands of untrained users.  
**• Maintain tools with care.** Keep cutting tools sharp and clean. Properly maintained tools with sharp cutting edges are less likely to bind and are easier to control.  
**• Check for misalignment or binding of moving parts, breakage of parts and any other condition that may affect the tools operation. If damaged, have the tools serviced before using.** Many accidents are caused by poorly maintained tools.  
**• Use only accessories that are recommended by the manufacturer for your model.** Accessories that may be suitable for one tool, may become hazardous when used on another tool.  
**• Use this power tool and accessories in accordance with the instructions; always take into account the work to be performed and the conditions in which the work will be performed.** Use of this tool for anything other than what it was designed could be harmful.

**• Use only accessories that are recommended by the manufacturer for your model.** Accessories that may be suitable for one tool, may become hazardous when used on another tool.  
**• Hold tool by insulated gripping surfaces when performing an operation where the cutting tool may contact hidden wiring or its own cord.** Contact with a "live" wire will make exposed metal parts of the tool "live" and shock the operator.  
**• Stay Alert.** Watch what you are doing & use common sense. Don't operate any tool when are tired.

**SPECIFICATIONS**  
 • Voltage: 120 volts,60Hz  
 • Current rating: 6.0 Amps  
 • No load speed: 11,500/min  
 • Grinding wheel: 4-1/2 inch (115mm)  
 • Spindle thread: 5/8"-11 UNC  
 • Double insulated

**Accessories:**  
 • (1) 4 - 1/2" x 1/4" x 7/8" grinding wheel  
 • Wheel removal wrench  
 • Side handle



Figure 1 names the major components of the multi-functional tool:  
 A. On/off switch  
 B. Spindle lock button  
 C. Grinding wheel  
 D. Wheel guard  
 E. Side handle  
 F. Outer flange  
 G. Wrench

**OPERATION**  
**WARNING:** Before changing accessories or doing any other operation on the tool, ensure the tool is unplugged from the power source.  
 When installing a grinding wheel or cutting disc, wear protective gloves. Danger of injury when touching the wheel and disc.  
**Grinding Wheels**  
 This angle grinder is designed to accept only 4-1/2" abrasive discs with a 7/8" bore. Check to ensure that any discs used on this machine are rated for the 11,500 rpm speed of this grinder. Check also for any damage to an abrasive disc before installing. Any disc that is cracked, has been dropped, or subjected to other damage due to temperature extremes or solvents should be discarded. A damaged disc can fly apart in use and may cause serious injury to the operator or bystanders.

**Guard**  
 This grinder comes with an adjustable wheel guard installed. This is to allow you to grind at various angles and still be protected to some extent from flying residue or debris should a disc shatter in use. Unplug the grinder. Loosen the clamping screw on the collar and rotate the guard to give you protection and expose the disc on the appropriate side. Tighten the screw to clamp the guard in place. Do not use this tool with the guard removed.  
**Side Handle**  
 The auxiliary side handle for the grinder may be mounted on either the left or right side of the tool. Unplug the grinder. Screw the handle firmly into the threaded hole on either side of the metal grinding head.  
**Installing a grinding wheel**  
 • Unplug the grinder.  
 • Turn the tool upside down.  
 • Place the inner flange on the spindle so that it matches with the flats on the shaft.  
 • Fit the disc over the ring on the inner flange.  
 • Screw the wheel-retaining nut down over the disc.  
 • Depending on the disc thickness, the ring on the outer flange nut can face down or up.  
 • Fit the two prongs of the wrench into the holes in the outer flange nut.  
 • Depress the spindle lock button and firmly tighten the nut with the wrench.  
 • Turn the wheel by hand, checking for any obstruction.  
**Running the TOOL**  
 • Plug in the tool.  
 • Hold the tool firmly with one hand on the side handle and the other gripping the housing.  
 • Check to make sure the abrasive disc is not obstructed.

• Slide the switch on the left side of the machine forward with your thumb.  
 • Switching the tool on or off under load will damage the switch.  
 • To turn the tool off, slide the switch back.  
**WARNING:** Turn off your tool at once, unplug and inspect if for serious problems if:  
 • Moving parts get stuck  
 • Speed drops to an abnormally low level  
 • The motor housing gets hot  
 • Sparks or odors emit from the casing

**MAINTENANCE**  
 Keep the vents clear of dust and debris. This will help prevent possible electrical shorts and ensure proper cooling.  
 • Keep the tool housing and handle clean and free of oil and grease by using mild soap and a damp (not wet) cloth.  
 • Avoid overloading your grinder. It will become hot and lose efficiency. Running it free of load for a minute or two will allow it to cool itself to normal temperature.  
 • Inspect the cord regularly and have it replaced by an authorized repair facility if it is damaged.  
 • Lubrication for this tool is done at the factory and should not be necessary again under normal use.  
 • Check the grinding disc regularly for cracking and other damage. Do not use a damaged disc.  
 • An authorized repair center should do any repair, modification, or maintenance that involve disassembling the grinder.  
 • Any damage to the tool should be corrected at an authorized repair center.

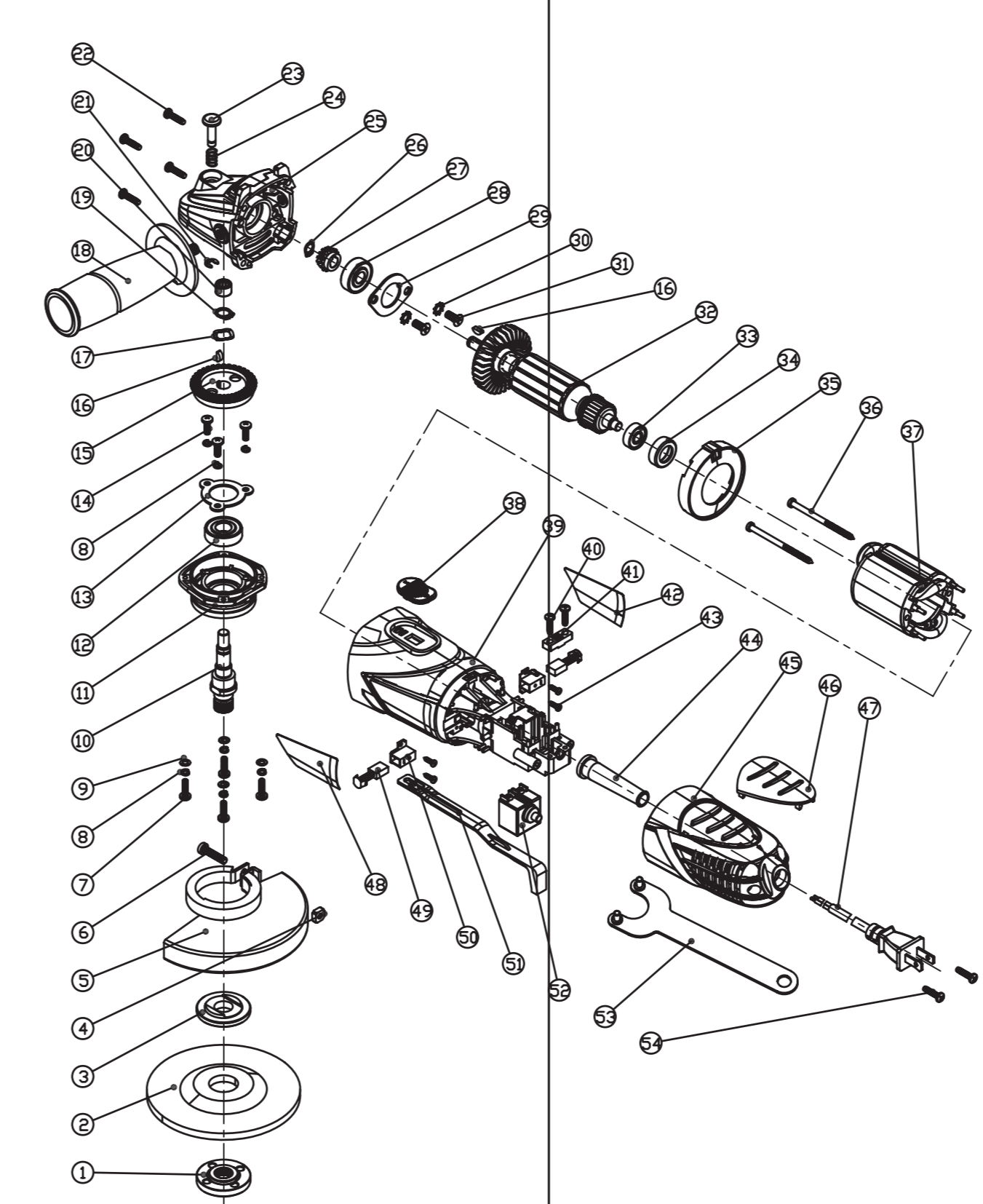


Figure 1 names the major components of the multi-functional tool:  
 A. On/off switch  
 B. Spindle lock button  
 C. Grinding wheel  
 D. Wheel guard  
 E. Side handle  
 F. Outer flange  
 G. Wrench

Nº.	DESCRIPTION
1	Outer Flange
2	Grinding Wheel
3	Inner Flange
4	Square Nut
5	Wheel Guard
6	Screw
7	Screw
8	Spring Washer
9	Flat Washer
10	Output Spindle
11	Fender Cover
12	Bearing
13	Bearing Press Cover
14	Screw
15	Big Gear
16	Woodruff Key
17	Wave Washer
18	Side Handle
19	Circlip
20	Bearing
21	Circlip
22	Self-tapping Screw
23	Self-lock Pin
24	Self-lock Spring
25	Head Housing
26	Circlip
27	Small Gear

**FULL TWO YEARS HOME USE WARRANTY**  
 Hyper Tough warrants this product for two years against defects in materials and assembly. This LIMITED WARRANTY does not cover products that are improperly used, abused, altered or repaired by unauthorized personnel.

This warranty does not apply to accessories. This warranty gives you specific legal rights and you may have other legal rights which vary from state to state or province to province. For warranty questions, replacement, or repair, call American Customer Service at 1-800-840-7856.

This product is not intended for commercial use.

**WARNING:** Repairs should be made by an authorized repair center. Opening this tool could invalidate your warranty.

**NOTE:** Due to continuous product improvement, we reserve the right to change the product specification without prior notice.

Nº.	DESCRIPTION
28	Bearing
29	Triangle Press Cover
30	Washer
31	Screw
32	Armature
33	Bearing
34	Bearing sleeve
35	Wind Shield Ring
36	Self-tapping Screw
37	Stator
38	Switch Push-button
39	Housing
40	Self-tapping Screw
41	Cord Press Plate
42	Label
43	Self-tapping Screw
44	Cable Sheath
45	Back Cover
46	Plastic-coated
47	Cable Plug
48	Label
49	Carbon Brush
50	Carbon Brush holder
51	Switch Push-pole
52	Switch
53	Wrench
54	Self-tapping Screw

总长84x32.5cm, 大列8折后再对折后final尺寸为10.5X16.25cm, 英西双面印刷

TESTRITE PDS 540 File Information		Division: Auto	File NO.: 20170702	Packaging Design Implement Confirmation
Client: WMU	Client ID: 1010311	Item NO.: AQ15013G	Package Size: 84x32.5cm	Sales Division
Packaging Description: IM		Finish Date:		Designer
Email: <a href="mailto:at-window@testritergroup.com">at-window@testritergroup.com</a> <a href="mailto:at-sha-design@testritergroup.com">at-sha-design@testritergroup.com</a>		Applicant	Designer	
Colors:		Signed by Applicant & Sales Division (20170702 for All Items)		
		Vivian	Sharon	
		Vicki	Daisy	