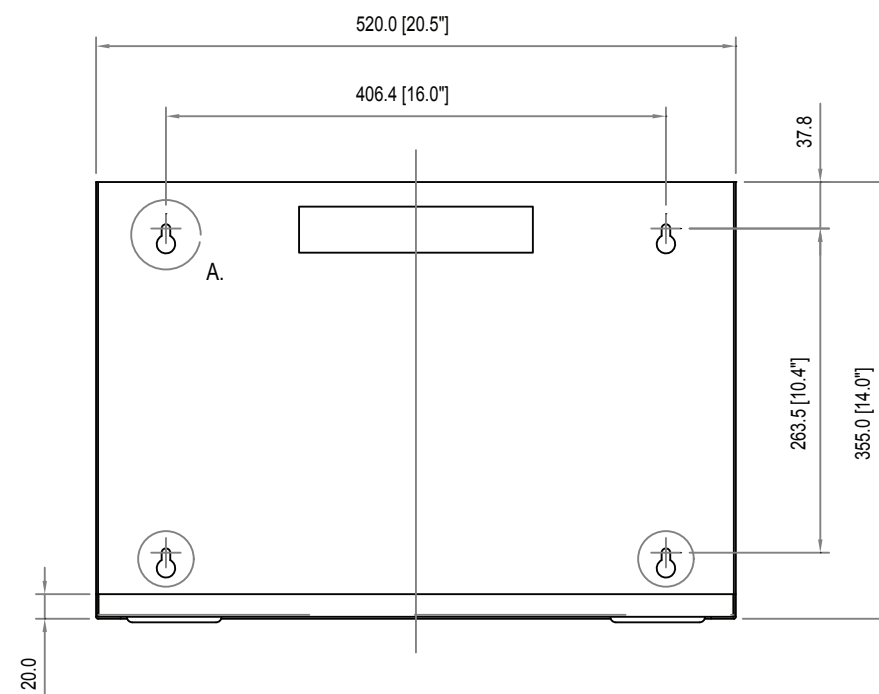
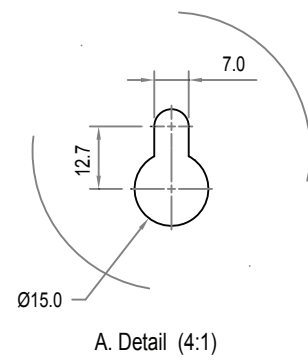
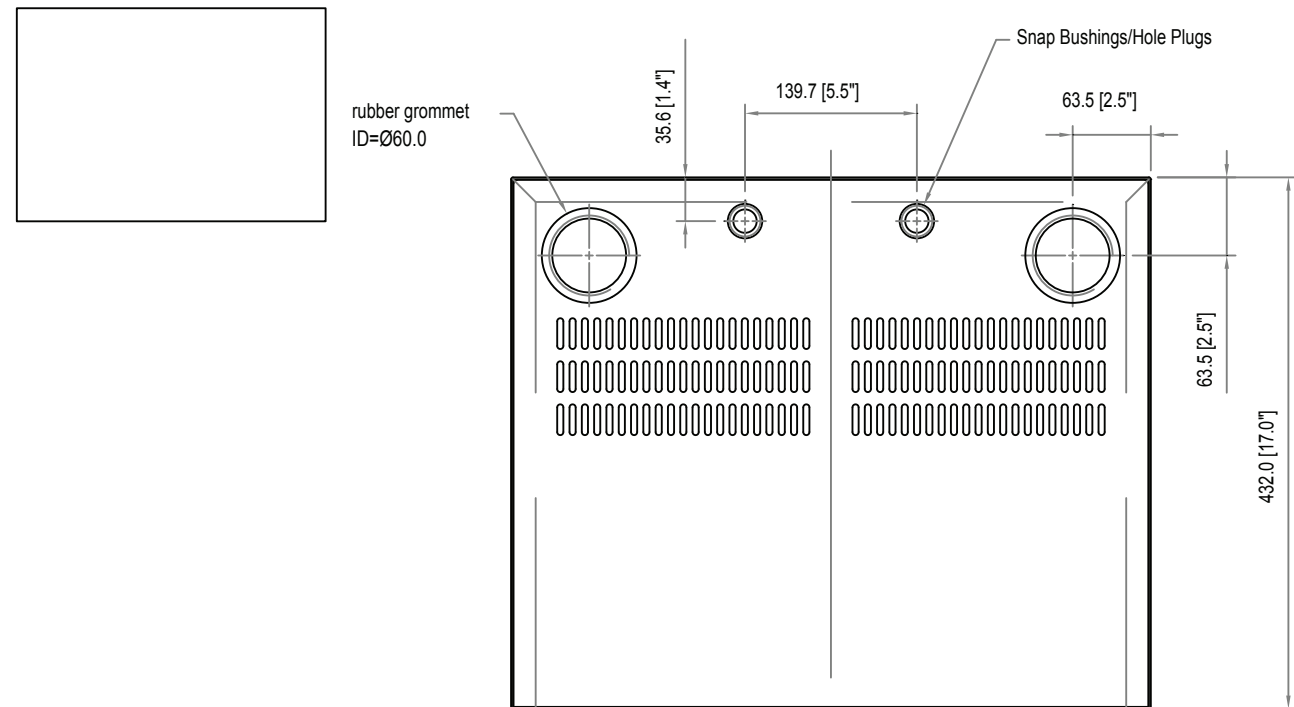


17in Deep Vented Server Room Equipment Wall Mount Shelf

WALLSHELF



Accessories :

1. Snap Bushings x2 (Material : Nylon PA 66)

ID=Ø19.0



2. Hole Plugs x2 (Material : Nylon PA 66)

