

ANTI-GLARE privacy screen for LCDs & notebooks



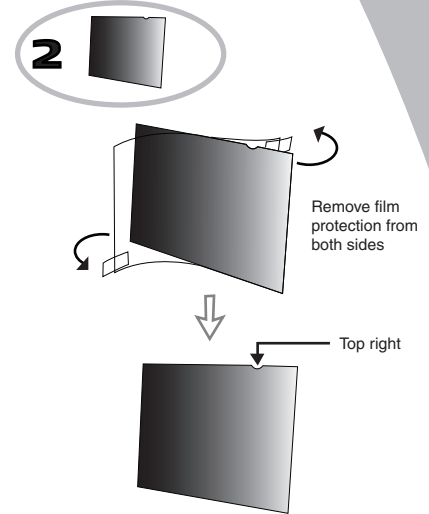
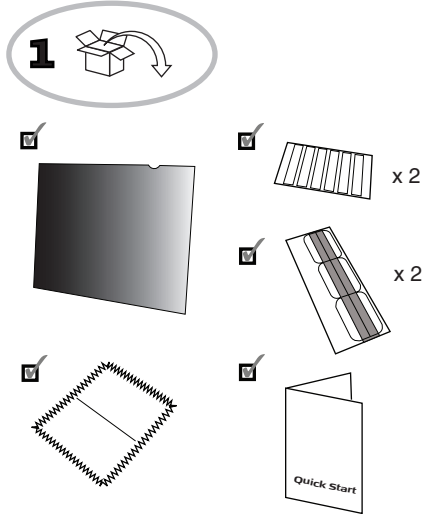
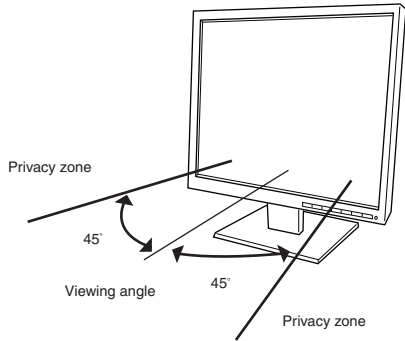
Targus®

Introduction

Congratulations on your purchase of a Targus Privacy Screen. The patented Microlover technology keeps your on-screen information secure by preventing viewing from an angle greater than 45°. You can attach the screen permanently using the adhesive strips, or use the tabs provided if you want to be able to remove the screen as needed.

Features

- Privacy protection against viewing from an angle
- Easily attachable and removable via the included tabs and adhesive tapes
- Available in many sizes for the ideal fit to your notebook screen or LCD monitor



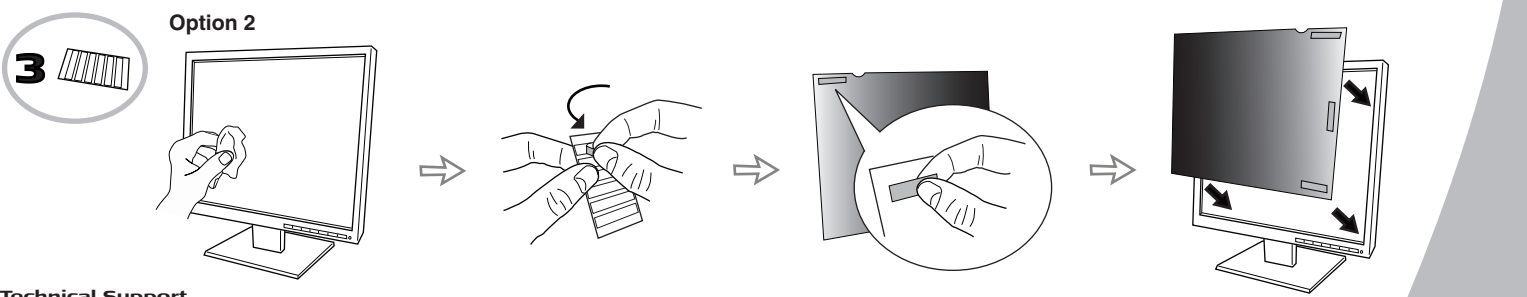
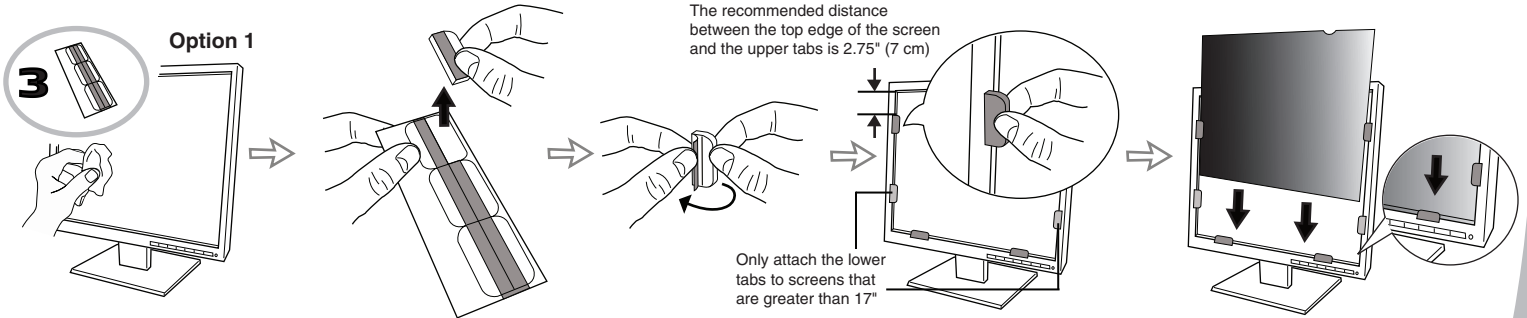
NOTE

- The Targus Privacy screen is only intended for use on notebook or LCD monitor screens



CAUTION

- Do not exert excessive force or use an abrasive cloth when cleaning the surface of the privacy screen
- Do not bend the privacy screen



Technical Support

For technical questions, please visit:

- US** Internet: www.targus.com/support.asp
- Australia** Internet: www.targus.com/au | Email: infoaust@targus.com | Telephone: 1800-641-645
- New Zealand** Telephone: 0800-633-222

Product Registration

Targus recommends that you register your Targus accessory shortly after purchasing it. To register your Targus accessory, go to: <http://www.targus.com/registration.asp>
You will need to provide your full name, email address, country of residence and product information.

Warranty

Targus warrants this product to be free from defects in materials and workmanship for one year. If your Targus accessory is found to be defective within that time, we will promptly repair or replace it. This warranty does not cover accidental damage, wear and tear, or consequential or incidental loss. Under no conditions is Targus liable for loss of, or damage to, a computer or other device(s); nor loss of, or damage to, programs, records, or data; nor any consequential or incidental damages, even if Targus has been informed of their possibility. This warranty does not affect your statutory rights.

Quick Start