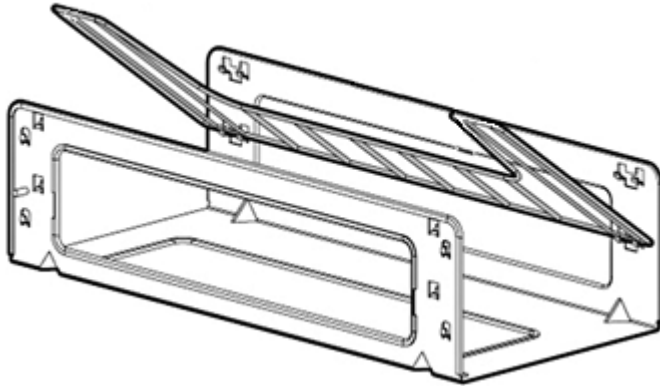


QuickSpecs

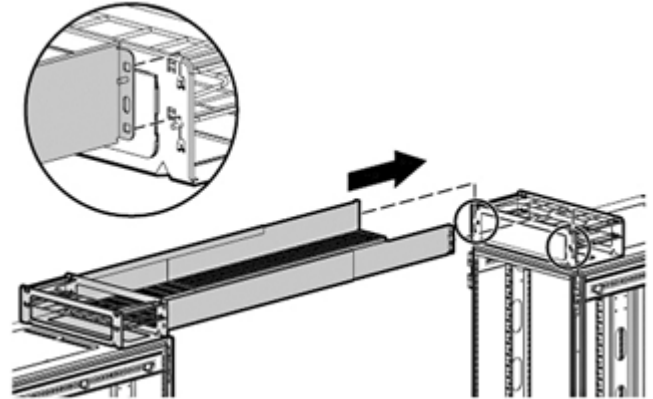
HP Rack Top Cable Trays

Overview

HP cable trays are designed to mount on top of the HP Rack 10000 Series and route cables orderly and efficiently. The three levels within the trays allow for routing power, data and fibre channel cables separately. Trays come in two sizes, for 600mm wide and 800mm wide cabinets, while the Adjustable Cable bridge, used to transfer cables from rack back to rack back across the datacenter 'hot' aisle, comes in a single size option. Cable egresses on the bottom of the tray coincide with the top cable egress on the Rack 10000 Series, while the side egresses on the tray permit exiting to the Adjustable Bridge. Covers for the cable egresses are provided standard.



Rack-Top Cable Tray



Rack-Top Adjustable Cable Bridge

Models

HP 600 Wide Rack Top Cable Tray	383982-B21
HP 800 Wide Rack Top Cable Tray	383983-B21
HP Rack Top Cable Mgmt Transfer Tray	383984-B21



QuickSpecs

HP Rack Top Cable Trays

Standard Features

Standard Features

- Trouble-free mounting on HP Rack 10000 Series
- Two sizes of Rack Top Cable Trays
 - 600mm and 800mm wide
- Stud for ground bonding
- Three cable levels are available to separate power, data and Fibre Channel cables
- Adjustable Cable Bridge
 - Fits both 600mm and 800mm Trays
 - Extends up to 2 meters (78 inches)
- Graphite Metallic Color
- 1/0/0 Warranty



QuickSpecs

HP Rack Top Cable Trays

Technical Specifications

Aisle Bridge

Dimensions (HxDxW)	Total Area	4.7 x 42 x 19.7 in (120 x 1066 x 500 mm)
	Total Extension	78 in (2 m)
	CTO	N/A
Shipping Weight (weight/dim)	50 lb (22.7 kg) / 48 x 27 x 10 in (1227 x 683 x 254 mm)	
Load	Static	200 lb (90 kg)
	Dynamic	0
Color	Graphite Metallic	All

Trays

Dimensions (HxDxW)	Total Tray Area	
	600mm model	5.97 x 10 x 22.46 in (151.75 x 253.96 x 570.50 mm)
	800mm model	5.97 x 10 x 30.33 in (151.75 x 253.96 x 770.50 mm)
Shipping Weight	CTO	N/A
	600mm model	80 lb (36.3 kg) / 34 x 28 x 23 in (852 x 705 x 587 mm)
	800mm model	13 lb (6 kg) / 36 x 17 x 13 in (903 x 429 x 321 mm)
Load	Static	200 lb (90 kg)
	Dynamic	0
Color	Graphite Metallic	All

Environment-friendly Products and Approach	End-of-life Management and Recycling	Hewlett-Packard offers end-of-life HP product return, trade-in, and recycling programs in many geographic areas. For trade-in information, please go to http://www.hp.com/go/green . To recycle your product, please go to: http://www.hp.com/go/green or contact your nearest HP sales office. Products returned to HP will be recycled, recovered or disposed of in a responsible manner.
---	---	---

The EU WEEE directive (2002/95/EC) requires manufacturers to provide treatment information for each product type for use by treatment facilities. This information (product disassembly instructions) is posted on the Hewlett Packard web site at: <http://www.hp.com/go/green>. These instructions may be used by recyclers and other WEEE treatment facilities as well as HP OEM customers who integrate and re-sell HP equipment.

© Copyright 2011 Hewlett-Packard Development Company, L.P.

The information contained herein is subject to change without notice.

The only warranties for HP products and services are set forth in the express warranty statements accompanying such products and services. Nothing herein should be construed as constituting an additional warranty. HP shall not be liable for technical or editorial errors or omissions contained herein.

