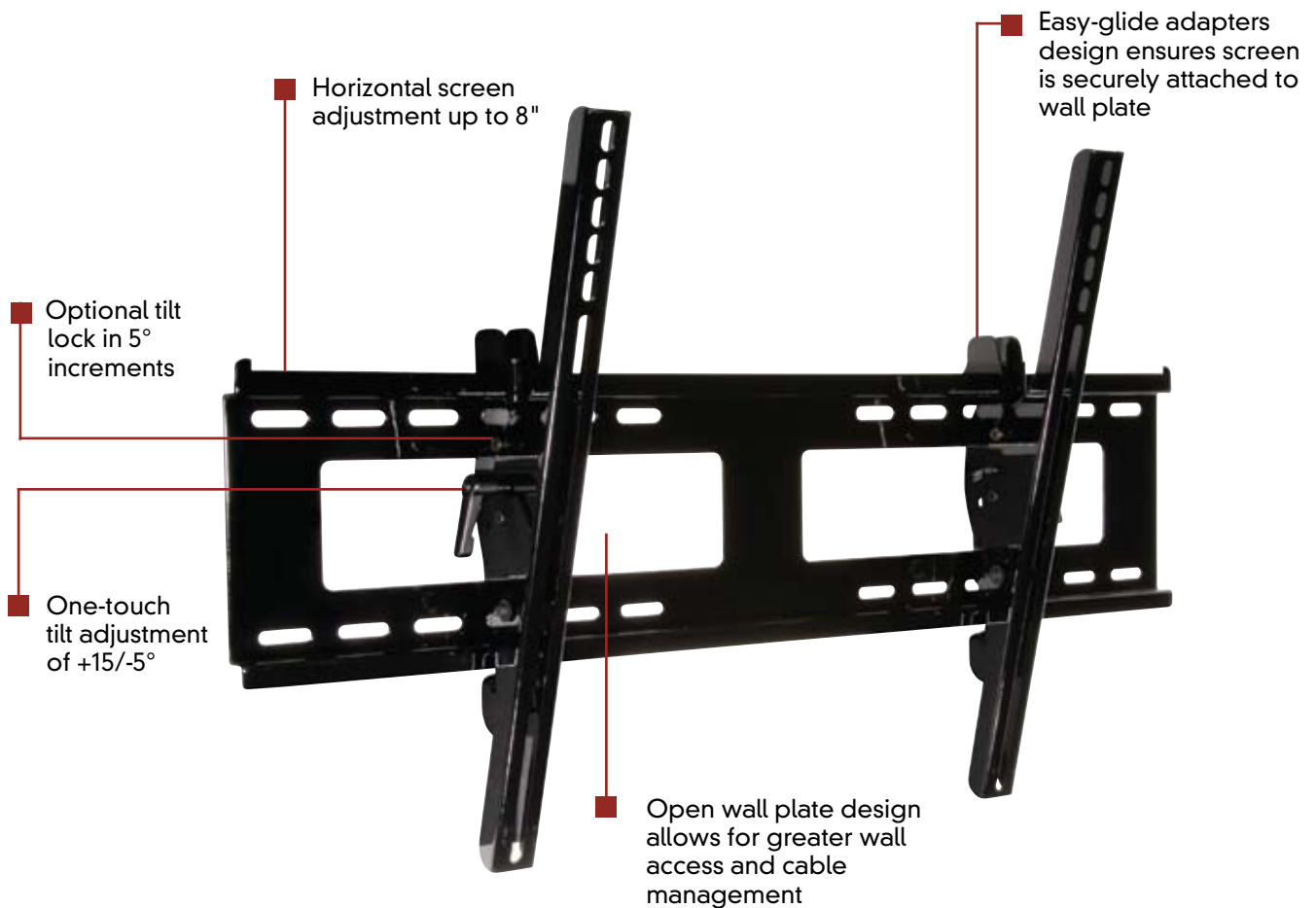


Universal Tilt Wall Mount

For 32" to 50" LCD and Plasma Flat Panel Screens

NEW!

Easily install large screens with this simple, intuitive mounting solution. Its simple three step installation combined with its tool-less, one-touch tilt angle adjustment enables LCD and plasma flat panel screens to be installed and adjusted quickly. Cables and cords are easily managed behind the screen with large access ports in the wall plate. For perfect screen positioning, center the screen by smoothly sliding it along the wall plates horizontal rails.





Universal Tilt Wall Mount

For 32" to 50" LCD and Plasma Flat Panel Screens

Model Numbers
PT650

Product Specifications

- Universal mount accommodates screens with mounting patterns up to 29.06" W x 17.67" H
- Adjustable 15° forward tilt and -5° backward tilt for finding the optimal viewing angle
- Easy-grip handle locks the screen position into place
- Optional IncreLock™ feature offers fixed tilt angles of -5°, 0°, 5°, 10°, 15°
- Open wall plate design allows for greater access to electrical outlets and cable management
- Easy-glide brackets easily hook onto wall plate for a simple, safe and quick installation
- Horizontal screen adjustment of up to 8" (depending on screen model) for perfect screen placement
- Mounts to wood studs, concrete, cinder block or metal studs (metal stud accessory required)
- Comes with Peerless' Sorted-for-You™ fastener pack with all necessary screen attachment hardware
- UL Listed

FEATURES

DIMENSIONS (W x H x D) 30.75" x 18.5" x 2.5" (78.1 x 47 x 6.3 cm)

LOAD CAPACITY 175 lb (79.3 kg)

PRODUCT WEIGHT 8 lb (3.62 kg)

FINISH Scratch-resistant fused epoxy

AVAILABLE COLORS Gloss black

PATENT Patent pending

Package Specifications

PACKAGE CONTENTS Wall plate, universal adapters, mounting and screen attachment hardware

UNITS IN PACKAGE 1

PACKAGE SIZE (W x H x D) 31.80" x 8.63" x 3.88" (80.8 x 21.9 x 9.9 cm)

PACKAGE SHIP WEIGHT 10.5 lb (4.76 kg)

PACKAGE UPC CODE PT650: 735029254881

WARRANTY Limited 5-year

peerless®
MOUNTS

Peerless Industries, Inc.
3215 W. North Avenue,
Melrose Park, IL 60160

(800) 865-2112

(708) 865-8870

Fax: (708) 865-2941

www.peerlessmounts.com



One-touch tilt allows adjustment of +15/-5°



LIT-0226