

Folding Rackmount Console

15" Folding LCD Rackmount Console

17" Folding LCD Rackmount Console

19" Folding LCD Rackmount Console

RACKCONS1501

RACKCONS1701

RACKCONS1901

Instruction Manual



Actual product may vary from photo

StarTech.com

The Professionals' Source for Hard-to-Find Computer Parts

FCC Compliance Statement

This equipment has been tested and found to comply with the limits for a Class B digital device, pursuant to part 15 of the FCC Rules. These limits are designed to provide reasonable protection against harmful interference in a residential installation. This equipment generates, uses and can radiate radio frequency energy and, if not installed and used in accordance with the instructions, may cause harmful interference to radio communications. However, there is no guarantee that interference will not occur in a particular installation. If this equipment does cause harmful interference to radio or television reception, which can be determined by turning the equipment off and on, the user is encouraged to try to correct the interference by one or more of the following measures:

- Reorient or relocate the receiving antenna.
- Increase the separation between the equipment and receiver.
- Connect the equipment into an outlet on a circuit different from that to which the receiver is connected.
- Consult the dealer or an experienced radio/TV technician for help.

Use of Trademarks, Registered Trademarks, and other Protected Names and Symbols

This manual may make reference to trademarks, registered trademarks, and other protected names and/or symbols of third-party companies not related in any way to StarTech.com. Where they occur these references are for illustrative purposes only and do not represent an endorsement of a product or service by StarTech.com, or an endorsement of the product(s) to which this manual applies by the third-party company in question. Regardless of any direct acknowledgement elsewhere in the body of this document, StarTech.com hereby acknowledges that all trademarks, registered trademarks, service marks, and other protected names and/or symbols contained in this manual and related documents are the property of their respective holders.

Table of Contents

Introduction	1
Features	1
Before You Begin	1
Contents	1
Installation	2
Mounting the console	2
Connecting the console	4
Turning on the console	5
Configuring display settings	5
Testing the console	5
Panel Controls and OSD Functions	6
Specifications	9
Technical Support	10
Warranty Information	10

Introduction

Thank you for purchasing a StarTech.com 1U LCD rackmount console. This product allows you to manage one or more rack-mounted computers using an integrated keyboard, mouse, and TFT screen that slides into a compact 1U of rack space when not in use.

Features

- Durable design
- On Screen Display (OSD)
- Security features, including port locking and auto scan
- TFT display supports resolutions up to 1024 x 768 (RACKCONS1501)
1280 x 1024 (RACKCONS1701 & 1901)

Before You Begin

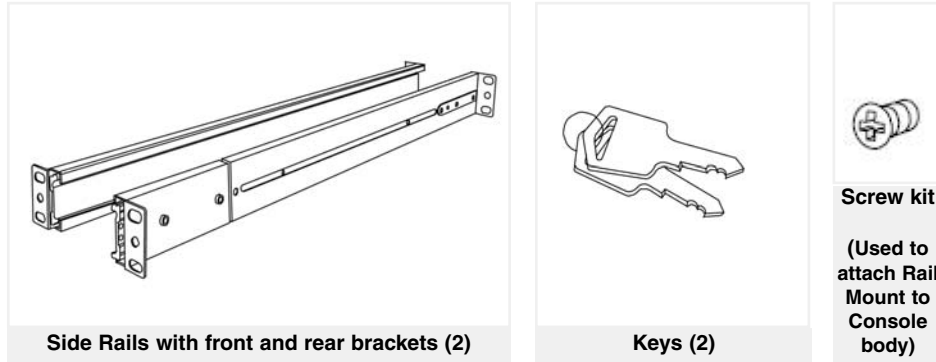
Contents

This package should contain:

- 1U LCD Rack Console Drawer (1)
- Console Cable Kit (1)
- Mounting Rails - Set (1)
- Power Adapter (1)

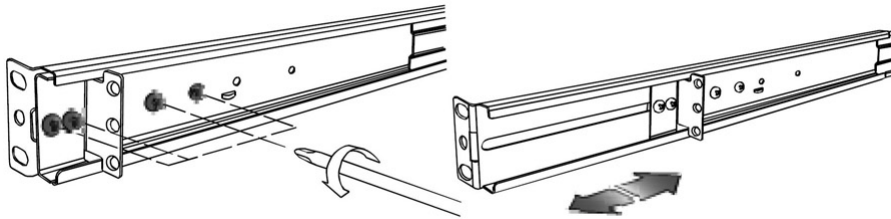
Installation

Hardware kit contents

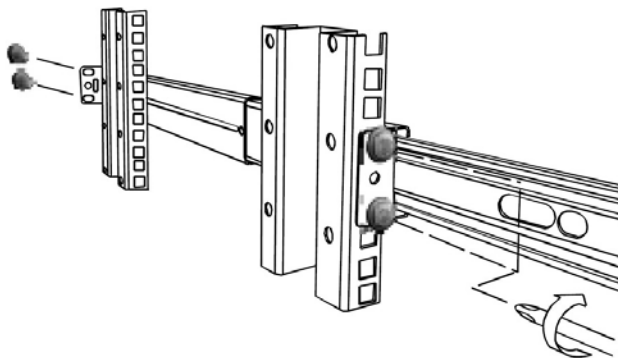


Mounting the console

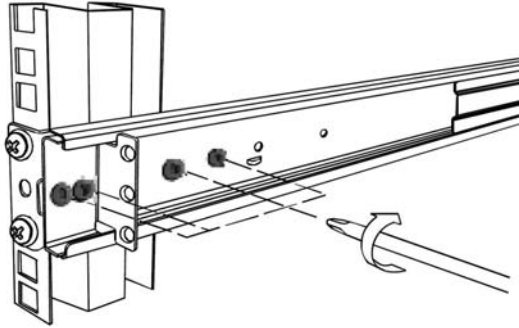
1. Loosen the rear screws (pre-installed in side rails) and adjust the length of the rear bracket to fit the depth of your cabinet:



2. Install the rail into the cabinet:

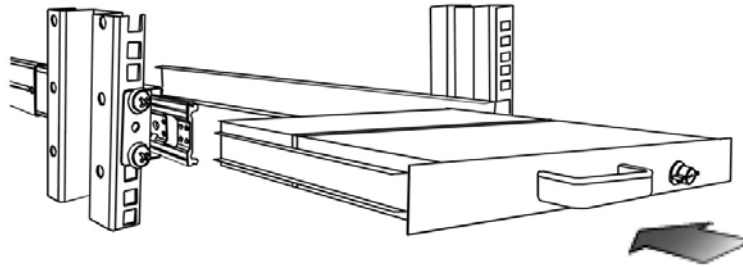


3. Tighten the screws that were loosened in **Step 1**:

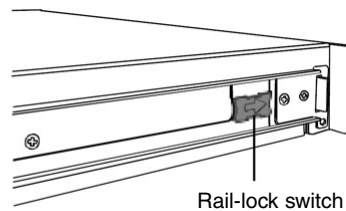
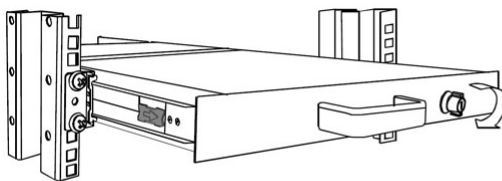


4. Install the remaining rail, repeating **Steps 1-3**.

5. Gently, but firmly insert the console into the left and right rails:

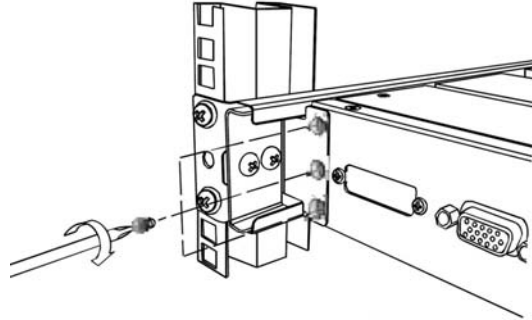


6. Unlock the console, and pull the left and right rail-lock switches towards you simultaneously, and hold them in this position while pushing the console into the cabinet:

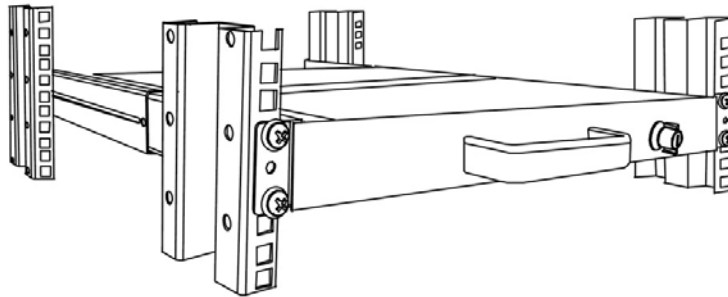


Instruction Manual

7. Install three screws on each side of the console:

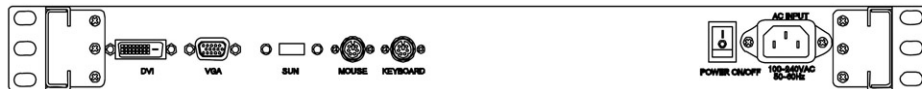


8. Installation is now complete:



Connecting the console

To connect an LCD console to a computer, perform the following steps:



LCD console - Rear view

1. Turn off your computer.
2. Insert the video (VGA) connector of the KVM cable into the video card connector on the rear panel of your computer.
3. Identify and connect the PS/2 mouse and PS/2 keyboard connector to the correct PS/2 ports on the rear panel of your computer.
4. Connect the AC power cord to the power inlet on the console. Connect the remaining end of the AC power cord to an available power outlet.

Turning on the console

Make sure all cables and the power cord are connected properly. Using two hands, grasp the rear of the drawer, lift the tab and pull the panel up and forward. This will disengage the momentary on/off switch and the unit should power on.

The LED located to the left of the monitor panel should turn from orange to green, verifying that the unit is operational.

Configuring display settings

After connecting the drawer and turning on your computer, you may need to configure one or more of the following display settings to allow the computer to display at the console's native resolution. See **Specifications** on page 9 for the correct resolution mode for your model.

- Display mode (also called desktop area or video resolution)
- Refresh rate (also called vertical scan rate or vertical sync)
- Color depth (also called color palette or number of colors)

Each video card has several controls that allow you to adjust the display settings, however, the software and driver for each video card is unique. In most cases, you can adjust these settings using a program or utility provided by the manufacturer of the video card. Most video cards use the **Windows Display Properties** control panel to configure the display. To open the **Windows Display Properties**, click the right mouse button in a blank area of the Windows desktop and then select **Properties**. The **Settings** tab usually lets you change the Color Palette and the Desktop Area (X by Y pixel resolution).

Some video cards integrate additional features into the **Windows Display Properties** control panel giving you an extra setup options that are flexible and easy to use. For example, the control panel may include an **Advanced Properties** button, an **Adjustment** tab, or a **Refresh** tab for changing other settings. Other video cards have a separate utility for setting display properties.

Whenever you change the resolution, color, or refresh rate, the image size, position, or shape may change. This behavior is normal. You can readjust the image using the monitor on-screen controls. For more information on the monitor on-screen controls, refer to **Panel controls and OSD functions**. For more information on configuring the display settings, please refer to the manual that accompanied your video card.

Testing the console

To test that the console is working properly, perform the following steps:

1. Power up the monitor/keyboard drawer, and then turn on your computer.
2. Make sure the video image is centered within the screen area. Use the OSD controls

to adjust the image (see **Panel controls and OSD functions**) or press the Auto button on the right hand side of the monitor.

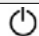
Note: If the unit does not power up when the panel is pulled up, try pushing the soft power on/off button on the left side of the monitor panel to power up the unit.

Note: You can adjust the horizontal and vertical position, contrast, and brightness to better suit your video card and your personal preference.

Before you begin, make sure that power to all of the devices you will be connecting to the console have been turned off. To prevent damage to your installation due to ground potential difference, make sure that all of the devices being installed are properly grounded. Once all peripherals have been connected, please power them on.

Panel controls and OSD functions

The following controls are located on the left side of the the console monitor:

Controls	Descriptions
	Soft power on/off. Adjacent LED is lit when on
Auto	Auto-synchronize and scale down display to any valid factory preset timings
Up	Press to scroll to the function you want to adjust.
Down	Press to scroll to the function you want to adjust.
Menu	To access the main menu. This button also acts as the Enter button.

Auto tune

Press the “**Auto tune**” button. The panel will adjust the display size automatically and also tune the panel to its optimized state.

Input Source

1. Press the **Menu** button.
2. Use the **Down** and **Up** buttons to scroll.
3. Press the **Menu** button to enter, and you will see: **VGA/DVI**
4. Use the **Down** and **Up** buttons to select the input signal source.
5. Press the **Menu** button to save your selection

Brightness

1. Press the **Menu** button.
2. Use the **Down** and **Up** buttons to scroll to **Brightness**.
3. Press the **Menu** button to enter.
4. Use the **Down** and **Up** buttons to adjust the brightness of the display.
5. Press the **Menu** button to save your selection.

Auto tune
 Input Source
Brightness ◀
 Contrast
 Color
 Position
 Language
 Recall
 Exit

Contrast

1. Press the **Menu** button.
2. Use the **Down** and **Up** buttons to scroll to **Contrast**.
3. Press the **Menu** button to enter.
2. Use the **Down** and **Up** buttons to adjust the contrast of the display.
3. Press the **Menu** button to save your selection.

Auto tune
 Input Source
 Brightness
Contrast ◀
 Color
 Position
 Language
 Recall
 Exit

Color

1. Press the **Menu** button.
2. Use the **Down** and **Up** button to scroll.
3. Highlight **Color**, and press the **Menu** button to enter, which will launch the following screen:

Auto tune
 Input Source
 Brightness
 Contrast
Color ◀
 Position
 Language
 Recall
 Exit

Icon	Description
9300°K	To set CIE coordinates at 9300°K color
7500°K	To set CIE coordinates at 7500°K color
6500°K	To set CIE coordinates at 6500°K color
User	To set user defined CIE
Auto color	To auto adjust color
Return	To exit and return to the previous page

4. Use the **Down** and **Up** buttons to adjust the contrast of the display.
5. Press the **Menu** button to save your selection.

Position

1. Press the **Menu** button.
2. Use the **Down** and **Up** buttons to scroll.
3. Highlight **Position** and press the **Menu** button to enter, which will launch the following screen:

Icon	Description
Image Pos	To adjust the position of the image
OSD Pos	To adjust the position of the OSD
Return	To exit and return to the previous page

- Auto tune
- Input Source
- Brightness
- Contrast
- Color
- Position** ◀
- Language
- Recall
- Exit

4. Use the **Down** and **Up** buttons to scroll.
5. Press the **Menu** button to save your selection.

Language

1. Press the **Menu** button.
2. Use the **Down** and **Up** buttons to scroll.
3. Highlight **Language**, and press the **Menu** button to select, which will launch the following screen:

- English** ◀
- German
- French
- Italian
- Spanish

- Auto tune
- Input Source
- Brightness
- Contrast
- Color
- Position
- Language** ◀
- Recall
- Exit

4. Use the **Down** and **Up** buttons to scroll, and highlight the preferred language.
5. Press the **Menu** button to save your selection.

Recall

1. Press the **Menu** button.
2. Use the **Down** and **Up** buttons to scroll to **Recall**. Press the **Menu** button to enter, where you will be able to select **Yes/No** using the **Down** and **Up** buttons. Once you have done so, press the **Menu** button. Note: selecting **Yes** will return your settings to the factory default state. Select **No** if you do not wish to make this change.

Exit

To exit the menu, scroll to **Exit** and press the **Menu** button.

Power Indicator

Light Color	Status
GREEN	ON
RED	STANDBY
RED	SUSPEND
RED	OFF

Specifications

	RACKCONS1501	RACKCONS1701	RACKCONS1901
Display Size	15"	17"	19"
Panel Type	Active Matrix TFT LCD	Active Matrix TFT LCD	Active Matrix TFT LCD
Resolution Capabilities	1024 x 768 (max.)	1280 x 1024 (max)	1280 x 1024 (max)
Back Light	Dual lamps	Four lamps	Four lamps
Supported Colors	16M Colors (6-bit with FRC)	16.2M Colors (6-bit with FRC)	16.2M Colors (6-bit with FRC)
Response Time	Rising Time: 5ms Decay Time: 11ms	Rising Time: 2ms Decay Time: 14ms	Rising Time: 2ms Decay Time: 10ms
Multi Platform	Supports: PS/2 SUN USB	Supports: PS/2 SUN USB	Supports: PS/2 SUN USB
System Cables	VGA+2 x PS/2 cable	VGA+2 x PS/2 cable	VGA+2 x PS/2 cable
Keyboard Mouse	106 key PS/2 keyboard with touchpad	106 key PS/2 keyboard with touchpad	106 key PS/2 keyboard with touchpad
Sync	45~80KHz	45~80KHz	45~80KHz
Power Source	100-240 VAC input	100-240 VAC input	100-240 VAC input
Operating Temperature	0 ~50°C (32°F ~ 122°F)	0 ~50°C (32°F ~ 122°F)	0 ~50°C (32°F ~ 122°F)
Storage Temperature	-20° ~ 60°C (-4°F ~ 140°F)	-20° ~ 60°C (-4°F ~ 140°F)	-20° ~ 60°C (-4°F ~ 140°F)
Humidity	10% ~ 90% RH	10% ~ 90% RH	10% ~ 90% RH
Dimension	447.5 x 482 x 44mm (17.6 x 19 x 1.7")	447.5 x 482 x 44mm (17.6 x 19 x 1.7")	447.5 x 482 x 44mm (17.6 x 19 x 1.7")
Net Weight	11.8kg (26lbs)	13Kg (28.66lbs)	15Kg (33.06lbs)
Chassis Construction	Heavy duty steel	Heavy duty steel	Heavy duty steel
Regulatory Certification	CE/FCC	CE/FCC	CE/FCC

Technical Support

StarTech.com's lifetime technical support is an integral part of our commitment to provide industry-leading solutions. If you ever need help with your product, visit www.startech.com/support and access our comprehensive selection of online tools, documentation, and downloads.

Warranty Information

This product is backed by a one-year warranty. In addition, StarTech.com warrants its products against defects in materials and workmanship for the periods noted, following the initial date of purchase. During this period, the products may be returned for repair, or replacement with equivalent products at our discretion. The warranty covers parts and labor costs only. StarTech.com does not warrant its products from defects or damages arising from misuse, abuse, alteration, or normal wear and tear.

Limitation of Liability

In no event shall the liability of StarTech.com Ltd. and StarTech.com USA LLP (or their officers, directors, employees or agents) for any damages (whether direct or indirect, special, punitive, incidental, consequential, or otherwise), loss of profits, loss of business, or any pecuniary loss, arising out of or related to the use of the product exceed the actual price paid for the product. Some states do not allow the exclusion or limitation of incidental or consequential damages. If such laws apply, the limitations or exclusions contained in this statement may not apply to you.

About StarTech.com

StarTech.com is “The Professionals’ Source for Hard-to-Find Computer Parts”. Since 1985, we have been providing IT professionals with the quality products they need to complete their solutions. We offer an unmatched selection of computer parts, cables, server management solutions and A/V products and serve a worldwide market through our locations in the United States, Canada, the United Kingdom and Taiwan.

Visit **www.startech.com** for complete information about all our products and to access exclusive interactive tools such as the Parts Finder and the KVM Reference Guide. StarTech.com makes it easy to complete almost any IT solution. Find out for yourself why our products lead the industry in performance, support, and value.