



AOPEN

Bright Ideas Connected

Digital Engine®



Redefining high-end possibilities

DE7400

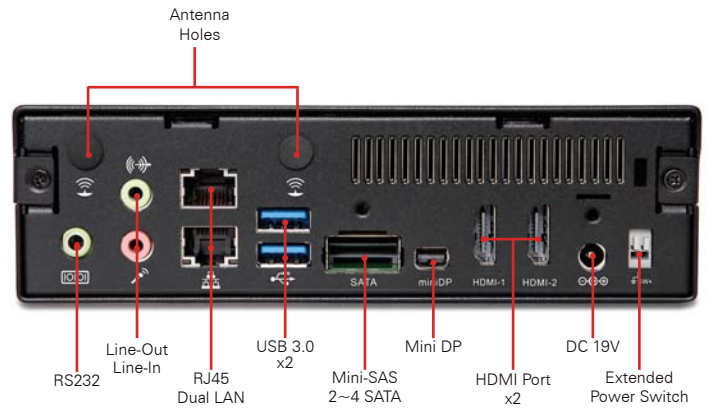
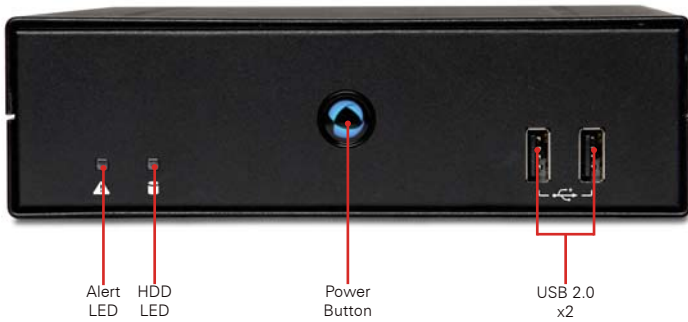
The DE7400 is an innovative x86 based powerhouse with new levels of graphics, speed and possibilities. The small size of the DE7400 combined with the Skylake based interior makes it one of the most powerful and flexible system available to date. It supports Ultra HD 4K2K content playback on the 60Hz display and is suitable for Surveillance Control Room, Luxury Retail Store or any other scenarios.

Features:

- + Intel Skylake with significant power reduction
- + Supports 4K2K 60Hz
- + Dual LAN
- + Supports 2 UHD and 1 static UHD contents playback
- + System back up technology to prevent system crash
- + E-mail alarm will remind user to replace the defective storage device to keep the system healthy



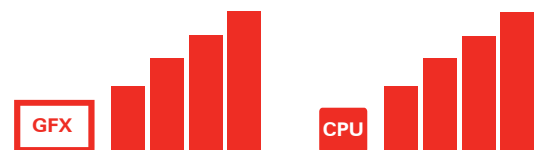
DE7400



Model Name		DE7400
Housing Material		SECC Windows 10 PROFFESIONAL Installed
Chassis Color		Black
Dimension	W x H x D (mm)	166 x 48 x 157 mm
	W x H x D (inch)	6.54 x 1.89 x 6.18 inch
Volume (liters)		1.25 L
CPU	Type	Supports Intel® Skylake-H mobile i3-6100H / i5-6440HQ / i7-6700HQ i5-6440HQ Installed
Graphic		Intel HD Graphics P530 series (GT2)
LAN		Intel GbE LAN Controller Dual Lan Ports
Memory	Channels	Dual Channel
	Type	DDR4 SO-DIMM 2133 x 2
	Max Memory	32GB 8G Installed
Expansion	M.2	x 1 (2242) & x 1 (2230) Kit WIFI & Bluetooth Installed
	Mini-Card (HL)	x 1
Storage	2.5" SATA	x 1 64GB SSD Installed
	External SATA	x 2

Rear IO	RS232	x 1
	Line in	x 1
	Line out	x 1
	RJ45 LAN	x 2
	USB 3.0	x 2
	Mini-SAS	x 1
	Mini DP	x 1
	HDMI Port	x 2
	DC 19V/12V	x 1
	Extended Power Switch	x 1
	Antenna Holes	x 2
Front IO	USB 2.0	x 2
Watchdog Timer		1 sec ~ 255 sec
Environment		
MTBF		50,000hrs
Operating Temperature		0°C ~50°C (32°F ~ 122°F)
Storage Temperature		-30°C~ 60°C (-22°F~ 140°F)
Relative Humidity		90% RH
Operating Vibration		2 Gms,Random,5~500Hz,X,Y,Z 3 Axes,0.5hr/Axis

PN: 491.DEG00.0340



The specific cations depicted may be subject to change without prior notice. All trademarks are copyright of their respective owners. © AOPEN Inc.