

Installation Instructions

# MRS (Monitor Rail Systems)



# Preface

## Important, Please Read Carefully

Thank you for your purchase with Amico Accessories Inc.

This unit is designed for long lasting performance, providing the end user complies with assembly and maintenance procedures. This Instruction Manual is your guide to ensure that you get the best performance out of the equipment. Amico Accessories Inc. is not responsible for any damage as a result of **(but not limited to)** abuse and other problems that may be a direct or indirect result of failure to comply with the instructions provided in this manual.

## Please note these key words and symbols:



**WARNING** Steps where extra care should be taken to prevent injuries and damage.



**NOTE** Steps that point out helpful information.

## Medical Facility Responsibilities

Preventive maintenance checks must be performed regularly to maintain the quality and performance of this product. Any parts that may be broken, missing, worn, distorted, or contaminated in any way should not be used and all affected parts should be replaced immediately. Should the necessity of any repair be suspected; please contact your local distributor.

# Table of Contents

<b>Section 1: Product Specifications</b>	
Features	3
<b>Section 2: Installation Preparation</b>	
Installation Tools and Parts Required	3
Pre-Installation Information ( <b>PLEASE READ CAREFULLY BEFORE STARTING</b> )	4
<b>Section 3: Installation on Mounting Platform</b>	
Channel Placement	5
Mounting on Drywall over Wood Studs or 16 Gauge Steel Studs	6
Mounting on Drywall over Steel Studs less than 16 Gauge	7
<b>Section 4: Device Installation</b>	7
<b>Section 5: Maintenance, Troubleshooting and Product Classification</b>	
Troubleshooting	8
Preventative Maintenance	
Product Classification	9
Cleaning	
<b>Warranty</b>	10

# Section 1: Product Specifications

## Features


Amico Accessories Monitor Rail Systems are designed to accommodate all your monitor mounting needs. With durable Monitor Rail Systems, safe and reliable mounting supports are guaranteed for all facilities both vertically and horizontally.

### MRS (Monitor Rail System)

1. Typically used for mounting monitors
2. Built to handle vertical loads up to 60 lbs (27.21 kg)
3. Great for concealing cords and tubing
4. Designed for vertical or horizontal applications
5. Available in a wide variety of lengths

# Section 2: Installation Preparation

## Installation Tools and Parts Required

 **NOTE:** Amico does not provide any tools necessary for installation.

1. #2 Philips screw driver
2. Pan Head sheet metal screw, #12 x 2-1/2" (30.48 cm x 6.35 cm) or 1/4" (0.635cm) Dia. toggle bolts
3. Hand drill, 3/16" (0.476 cm) (for sheet metal screw) or 11/16" (1.746 cm) (for toggle bolts) drill bit

 **NOTE:** For Seismic MRS, use what is applicable as specified per building code.

## Section 2: Installation Preparation

### **Pre-Installation Information (PLEASE READ CAREFULLY BEFORE STARTING)**

Although considerable effort has been made in this manual to ensure safety, the installation itself is beyond the control of Amico Accessories Inc. Accordingly, Amico Accessories Inc. will not be responsible for the failure of any such installation.



**WARNING:** A lateral force of 80 lbs (36.287 kg) applied 17" (43.18 cm) out from the wall will crack a  $\frac{5}{8}$ " (1.587 cm) thick gypsum board along the channel flange. This is not acceptable in seismic sensitive areas and in California.

*For more information please visit <http://www.Ca.Gov>*



**WARNING:** It shall be the responsibility of the hospital, its consultants and/or contractors to determine that the wall is adequate to safely mount the specific instrument. This includes the selection of appropriate fasteners and the proper installation. The following is guideline information only. See rail instructions for specific wall channel guideline information.

### **FOR OTHER WALL BACKINGS NOT SPECIFIED IN THIS MANUAL:**

Contact Structural Engineer or Contact Amico Accessories Inc. to discuss solutions.

# Section 3: Installation on Mounting Platform

## Channel Placement

1. Before mounting rail at desired height, consider the accessibility to the device controls including the allowable range of movement of the device when mounted. Built to handle vertical loads up to 60 lbs (27.2155 kg).
2. Devices can only be placed 0.75" (1.905 cm) above the bottom end of the rail because of the rubber stop. Designed for vertical or horizontal applications.
3. Recommend to allow 14" (35.56 cm) clearance on either side of the rails center line to clear objects such as over-bed lighting, privacy curtains, adjacent walls or columns, door swing arcs, etc. Power and signal outlets should be considered when selecting a rail location. Avoid oxygen, vacuum and air outlets, and allow space for attendant flowmeters and regulators.

**⚠ WARNING:** The maximum load rating for the Standard Flanged and Flangeless rail is 100 ft-lbs (30.48 m) when mounted vertically. Refer to qualified personnel. Failure to follow these instructions may result in serious injury.

**📌 NOTE:** The rubber stop at the bottom of the rail goes over the shank of the bottom screw. The depressible channel stop at the top of the rail is used to secure the device, keeping it from sliding up and out of the rail tracks.

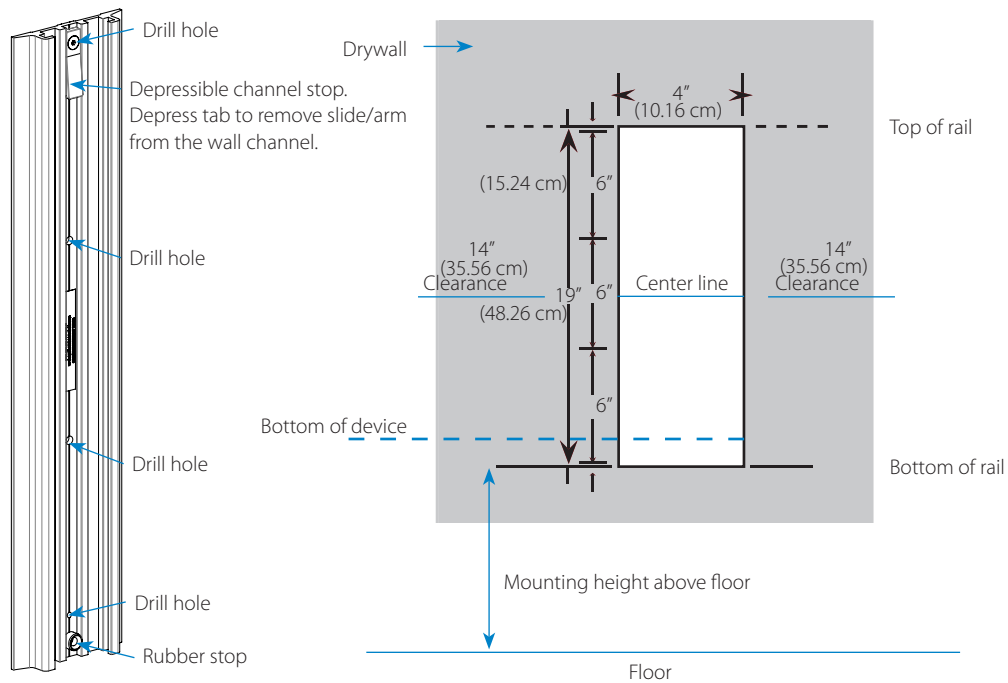


Figure 1

# Mounting on Drywall Over Wood Studs or 16 Gauge Steel Studs

1. Locate the building studs in the area and align the holes of the rail to the studs. Use a level to make sure the rail is vertical and mark the locations on the wall through the holes **centered on a stud**.
2. Remove and put the rail aside. Drill  $\frac{3}{16}$ " diameter holes into the wall at the marked locations.
3. Once all drill holes are completed, secure rail to the wall by fastening the screws through the holes and into studs.

**NOTE:** The rubber stop at the bottom of the rail goes over the shank of the bottom screw. The depressible channel stop at the top of the rail is used to secure the device, keeping it from sliding up and out of the rail tracks.

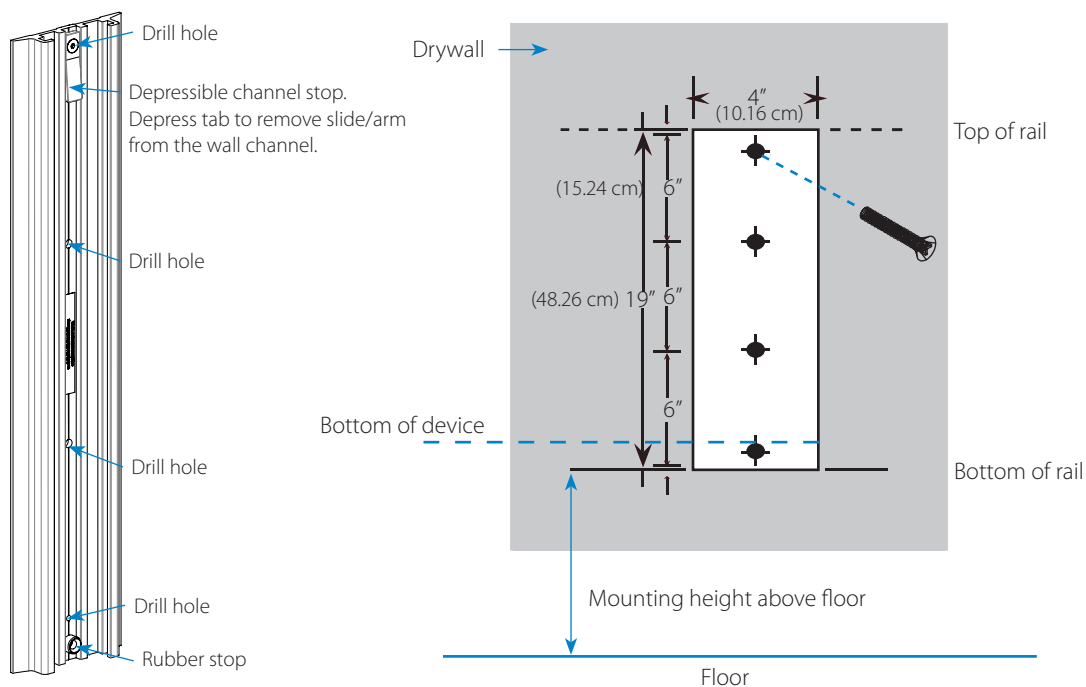


Figure 2

# Mounting on Drywall Over Steel Studs Less than 16 Gauge

1. Locate the building studs in the area and align the holes of the rail to the studs. Use a level to make sure the rail is vertical and mark the locations on the wall through the holes **centered on a stud**.
2. Remove and put the rail aside. Drill  $1\frac{1}{16}$ " (1.7462 cm) diameter holes into the wall at appropriate vertical spacing according to the specific MRS configuration.
3. Once all the drill holes are completed, insert the  $\frac{1}{4}$ -20 x 3" (7.62 cm) Pan Head Machine Screws into the rail and insert into the toggle wings.
4. With the rail upright, align the toggle bolts to the drilled hole and insert into the studs. Tighten the screws to secure the rail.

**NOTE:** The rubber stop at the bottom of the rail goes over the shank of the bottom screw. The depressible channel stop at the top of the rail is used to secure the device, keeping it from sliding up and out of the rail tracks.

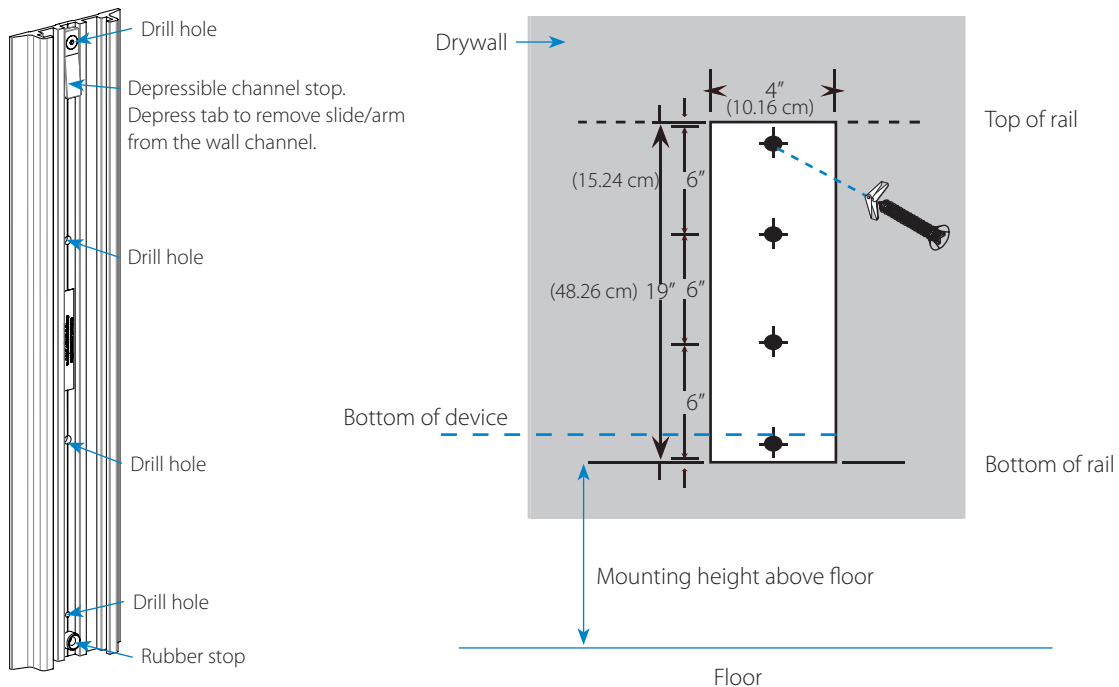


Figure 3

## Section 4: Device Installation

Refer to specific device instruction manual.



# Section 5: Maintenance, Troubleshooting and Product Classification

## Troubleshooting

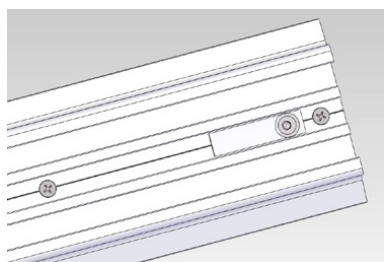
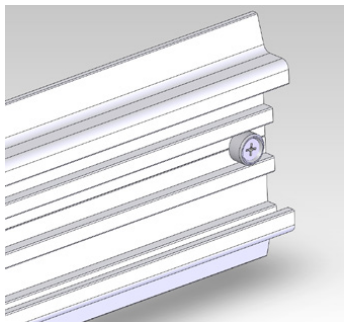
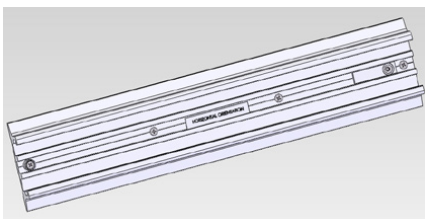
Symptom	Possible Cause	Solution
The depressible channel stop is loose.	The screw securing the channel is loose.	Tighten screw, if problem persists please contact Amico Accessories Inc.
The rubber stop is loose.	The mounting screw securing the rubber stop is loose.	Tighten screw, if problem persists please contact Amico Accessories Inc.
The rail is loose/unstable.	The mounting screws have loosened.	Contact Structural Engineer to discuss solution.

## Preventative Maintenance

**⚠ WARNING:** All products require periodic inspection and maintenance to perform optimally and achieve maximum operation life.

**⚠ WARNING:** The intervals shown below are recommended. Maintenance schedules should be more frequent for products that see heavy use.

**📌 NOTE:** Please contact Amico Accessories for MRS Cover orders.

Area	Maintenance	Period (Months)
	<p><b>Area 1:</b> Depressible channel stop on MRS rail.</p> <p><b>A)</b> Visually inspect for any loosening of the mounting screw for the depressible channel stop.</p> <p><b>B)</b> Check the screw every six months.</p>	6
	<p><b>Area 2:</b> Rubber stop at the bottom of MRS rail.</p> <p><b>A)</b> Visually inspect for any loosening of the mounting screw for the rubber stop.</p> <p><b>B)</b> Check the screw every six months.</p>	6
	<p><b>Area 3:</b> Entire MRS rail.</p> <p><b>A)</b> Visually inspect for any loosening of any mounting screws on any MRS.</p> <p><b>B)</b> Check rail screws every six months.</p>	6

# Section 5: Maintenance, Troubleshooting and Product Classification

## Product Classification

MRS-F\_\_\_\_/ MRS-FL\_\_\_\_/MRS-S\_\_\_\_

## Cleaning

**⚠ WARNING:** The cleaning chemicals and methods below are not meant for controlling any infections. It shall be the responsibility of the hospital or the hospital's infection control officer to sanitize the equipment.

**⚠ WARNING:** Please do not spray any chemical directly onto the arm. Apply onto a soft cloth and wipe clean to prevent chemicals getting into the internal components of the arm.

The mounting assembly may be cleaned with most mild, non-abrasive solutions commonly used in the hospital environment (e.g. diluted bleach, ammonia, or alcohol solutions). The surface finish will be permanently damaged by strong chemical and solvent such as acetone and trichloroethylene. Steel wool or other abrasive materials should never be used. Damaged caused by the use of unapproved substances or processes will not be warranted. It is recommended that you test any cleaning solution on a small area of the Condor that is not visible to verify compatibility. Never submerge the Condor and do not allow liquids to enter it. Wipe any cleaning agents off the Condor immediately using a water-dampened cloth. Dry the arm thoroughly after.

## No Acetone / No Trichloroethylene

## Warranty Policy

Amico Accessories Inc. warrants all mounting accessories to be free from defects in material and workmanship for a period of twelve (12) months from the date of shipment. Within this period Amico Accessories Inc. will repair or replace any part which is proven to be defective.

Amico Accessories Inc. will warrant its materials to be free from defect for an additional period of four (4) years, five (5) years from the date of shipment. Within this period, Amico Accessories Inc. will replace any part at no charge, which is proven to be defective. Shipping and Installation costs after the first twelve (12) months will be borne by the customer.

This warranty is valid only when the product has been properly installed according to Amico Accessories Inc. specifications, used in a normal manner and serviced according to factory recommendations. It does not cover products that are not manufactured by Amico Accessories Inc. It does not cover failures due to damage which occurs in shipments or failures which resulted from accidents, misuse, abuse, neglect, mishandling, alteration, misapplication or damage that may be attributable to acts of God.

Amico Accessories Inc. shall not be liable for incidental or consequential damages resulting from use of equipment.

All claims for warranty must first be approved by Amico Accessories Inc. A valid Return Goods Authorization (RGA) number must be obtained from Amico Accessories Inc. prior to commencement of any service work. Warranty work, which has not been pre-authorized by Amico Accessories Inc., will not be reimbursed.

### **AMICO ACCESSORIES INC. DOES NOT HONOR VERBAL STATEMENTS CONCERNING THE WARRANTY.**

The distributor and/or dealer are not sanctioned to create verbal warranties about the product described in this agreement. Any statements will not be honored or be made part of the agreement of sale. This document is the final complete and exclusive terms of the agreement.

### **THIS WARRANTY IS INCLUSIVE AND REPLACES ALL OTHER WARRANTIES.**

Amico Accessories Inc. shall not, under any circumstances be liable for incidental or consequential damages including, but not limited to, profit, loss of sales or injuries to person(s) or property. Correction of noncompliance as noted above will result in completion of all liabilities of Amico Accessories Inc., whether based on agreement, neglect or changed materials, designs or specifications without notice.

All claims for warranty must first be approved by Amico Accessories Inc. Service Department: [accessories@amico.com](mailto:accessories@amico.com) or 1.877.264.2697). A valid Return Goods Authorization number must be obtained from Amico Accessories Inc. prior to commencement of any warranty claim.

# www.amico.com

Amico Accessories Inc. | [www.amico.com](http://www.amico.com)

85 Fulton Way, Richmond Hill  
Ontario, L4B 2N4, Canada

71 East Industry Court, Deer Park  
NY 11729, U.S.A

Toll Free Tel: 1.877.264.2697  
Toll Free Fax: 1.866.440.4986  
Tel:905.763.7778  
Fax:905.763.8587  
Email: [info@amico.com](mailto:info@amico.com)