

Serie | 4 Fridge-Freezer-Combination

Built-in fridge-freezer KIV86VS30G Sliding hinge


A++

The bottom freezer with electronic temperature control and MultiBox: set the temperature easily and precisely.

- **Energy efficiency class A++:** cools especially efficiently.
- **Electronic temperature control:** set the target temperature clearly and easily.
- **MultiBoxes with rippled base:** protects fruits and vegetables from condensation.
- **SafetyGlass:** very stable shelves made of easy-to-clean glass.
- **BigBox frozen food drawer:** for stacking storage containers or for large frozen food items.

Technical Data

Construction type :	Built-in
Door panel options :	Not possible
Height (mm) :	1772
Width of the product (mm) :	541
Depth of the product :	545
Required niche size for installation (HxWxD) :	1775.0 x 560 x 550
Net weight (kg) :	61.0
Connection rating (W) :	90
Current (A) :	13
Door hinge :	Right reversible
Voltage (V) :	220-240
Frequency (Hz) :	50
Approval certificates :	VDE
Length of electrical supply cord (cm) :	230
Storage Period in Event of Power Failure (h) :	24
Number of compressors :	1
Number of independent cooling systems :	1
Interior ventilator :	No
Reversible Door Hinge :	Yes
Number of Adjustable Shelves in fridge compartment (Stck) :	3
Shelves for Bottles :	No
EAN code :	4242002875095
Brand :	Bosch
Product name / Commercial code :	KIV86VS30G
Energy efficiency class - NEW (2010/30/EC) :	A++
Energy consumption annual (kWh/annum) - NEW (2010/30/EC) :	231
Refrigerator Net capacity (l) - NEW (2010/30/EC) :	191
Freezer Net capacity (l) - NEW (2010/30/EC) :	76
Frost free system :	No
Temperature rise time (h) :	24
Freezing capacity (kg/24h) - NEW (2010/30/EC) :	4
Climate class :	SN-T
Noise level (dB(A) re 1 pW) :	38
Installation type :	Full-integrated

Included accessories

- 2 x cold accumulator
- 2 x egg tray
- 1 x ice cube tray



Serie | 4 Fridge-Freezer-Combination

Built-in fridge-freezer

KIV86VS30G

Sliding hinge

The bottom freezer with electronic temperature control and MultiBox: set the temperature easily and precisely.

Dimension and installation

- Easy Installation
- Height adjustable front feet
- Climate class SN-T (suitable for ambient temperatures between 10 to 43°C)
- Niche Dimensions: 177.5 cm H x 56 cm W x 55 cm D
- Dimensions: 177.2 cm H x 54.1 cm W x 54.5 cm D

Performance and Consumption

- Energy efficiency class: A++
- Energy Efficiency Class: A++ kWh/yr: 0.631 kwh
- Total net capacity: 267 litres
- Net fridge capacity: 191 litres
- Net freezer capacity: 76 litres
- Noise level dB(A) re 1 pW: 38
- Climate class SN-T (suitable for ambient temperatures between 10 to 43°C)

Design features

- Bright interior LED fridge light
- Right hinged door, door reversible
- 1 compressor
- LED electronic control
- Removable magnetic door seals - easy to clean
- Easy clean interior

Food freshness system

- FreshSense - Constant temperature control by intelligent sensor technology
- 2 x cold accumulator, 2 x egg tray, 1 x ice cube tray
- 1 MultiBox - Transparent drawer with a rippled bottom, ideal for storing fruits and vegetables.

Key features - Fridge section

- 4 door bins
- 4 removable safety glass shelves of which 3 are easy pull out
- Door trays in fridge door: 1 large and 3 small.
- 4 safety glass shelves in fridge compartment of which 3 are height adjustable

Key features - Freezer section

- 3 transparent freezer drawers, 1 BigBox
- Freezing capacity in 24 hours: 3.5 kg
- 4 star freezer rating
- Manual defrost freezer
- SuperFreezing function with automatic deactivation
- Maximum freezer storage time in power failure: 24 hours
- Calendar frozen food

Functions

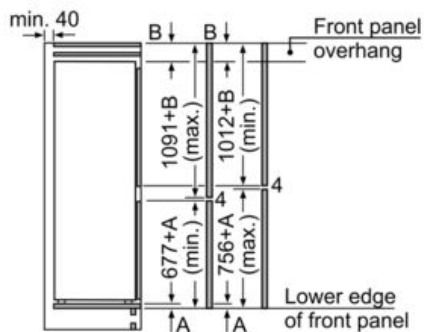
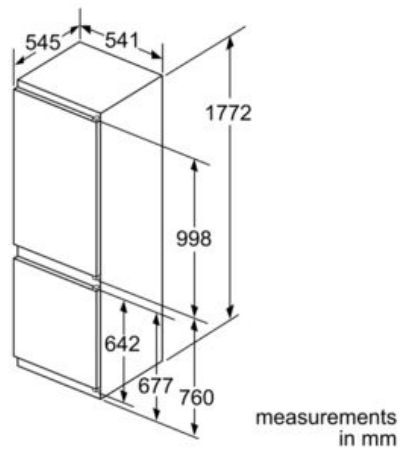
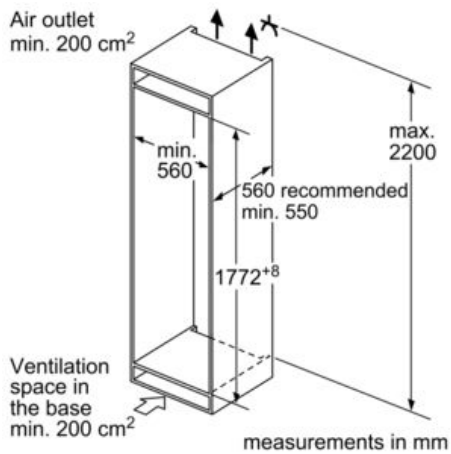
- SuperFreezing function with automatic deactivation

Serie | 4 Fridge-Freezer-Combination

Built-in fridge-freezer

KIV86VS30G

Sliding hinge



The specified unit door dimensions
are valid for a door gap of 4 mm.

measurements in mm