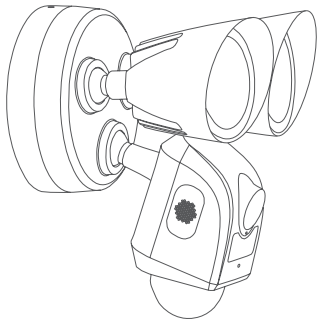


Quick Start Guide

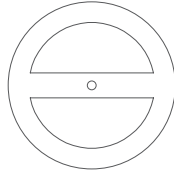
What's in the Box



Floodlight Camera



Wire Connector (x3)



Gasket (x1)



Long Bracket Screw (x1)



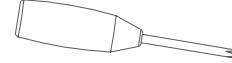
Short Mounting Screw (x2)



Short Base Screw (x1)



Mounting Bracket (x1)

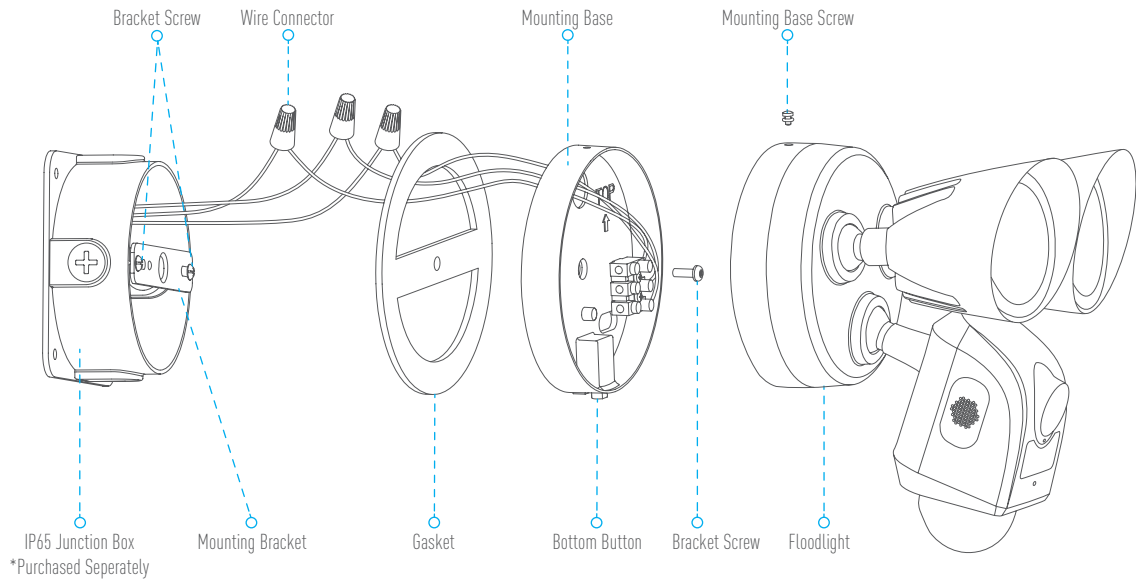


Screwdriver (x1)



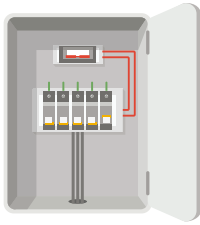
Quick Start Guide (x1)

Floodlight Camera



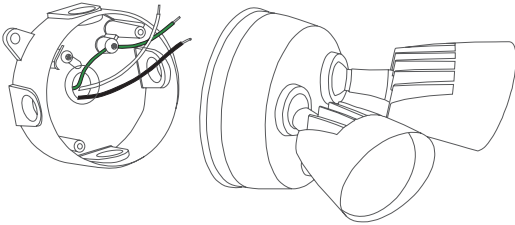
Floodlight Camera Installation

Step 1 Shut down the electricity at the breaker that controls floodlight camera's circuit.



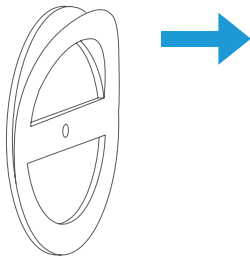
i Keep the breaker off at any time during the installation process.

Step 3 Remove your existing floodlight from the junction box.



i Disconnect the three sets of wires from the floodlight, if there is any existing mounting bracket attached to your junction, remove that as well.

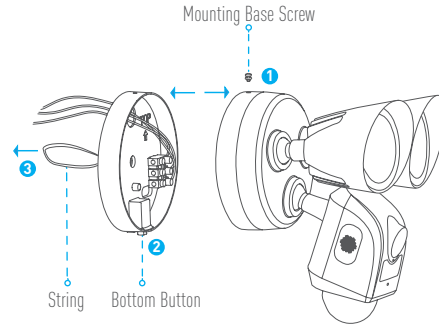
Step 5 Peel off the white tape from the gasket and stick the gasket to the mounting base.



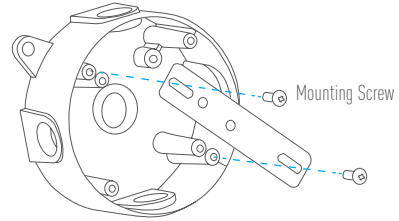
i Ensure the center hole lines up with the center one on the mounting base.

Step 2 Pull the floodlight camera completely off the base.

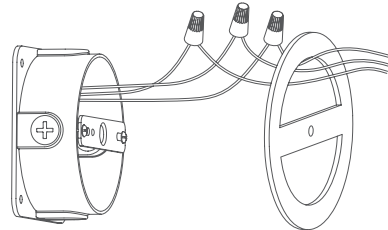
Unscrew the mounting base screw, then press the bottom button all the way down, and pull the string to take the mounting base off.



Step 4 Install the bracket to the junction box with the mounting screws.



Step 6 Connect the junction box and floodlight camera 3-wire connector.



Wire from Junction box **Connect to Matching Wire on Camera**

Green/Copper-Ground

Green

Black-Hot

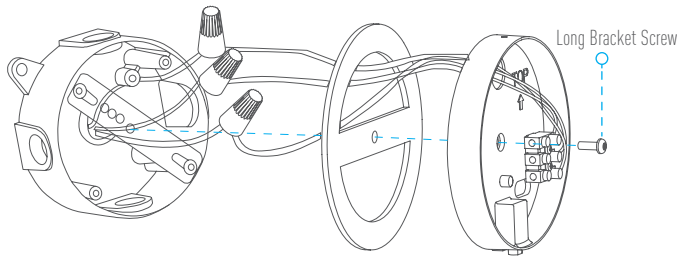
Black

White-Neutral

White

i Match each color wire from the floodlight camera to the same color from the junction box (green to green, white to white, black to black).

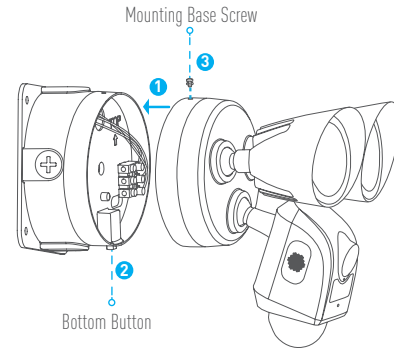
Step7 Mount the base with the provided long bracket screw through the center screw-hole.



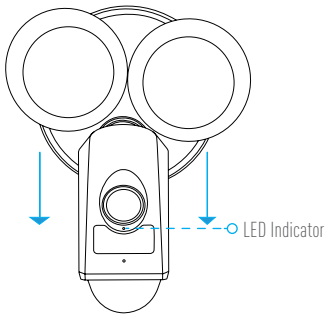
i Ensure the gasket and base is tighten and does not move.

Step8 Mount the Floodlight Camera to the base plate.

Adjust the camera position and ensure the top screw-hole matches the one on the base. Mount the camera to the base with the mounting base screw in the top base. Fix the bottom button first and mount the top screw later.

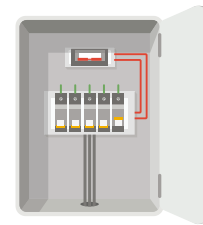


Step9 Adjust the position of the LED lights and camera. The installation is complete.



LED Indicator	
Solid Red	Initializing
Flashing Blue	Ready for Wi-Fi Configuration
Solid Blue	Network Connected

Step10 Turn on power to your floodlight camera's circuit.



Floodlight Camera Setup

Step1 Create a user account

- Connect your mobile phone to Wi-Fi.
- Download and install the app.
- Launch the app and register for a user account following the start-up wizard.

Step2 Add a floodlight camera to APP

- Log in the app.
- From the app Home screen, tap "+" on the upper-right hand corner to go to the scan QR code interface.
- Scan the QR Code on the the Floodlight Camera.
- Follow the app wizard to finish Wi-Fi configuration.

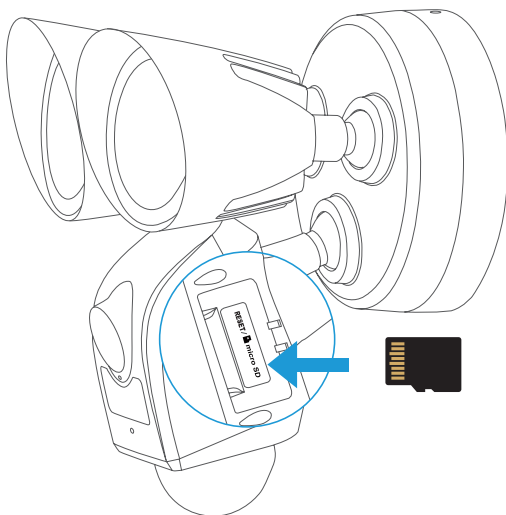
i If you want to change your floodlight camera's Wi-Fi, press and hold the reset button for 5s and repeat this part.

- i** • The floodlight camera works with 2.4GHz Wi-Fi signals. If you have a dual-band router with separate 2.4GHz and 5GHz networks, make sure your phone is connected to the 2.4GHz one.
- If your Wi-Fi network signal is less than 50% where you want to install the floodlight camera ,a Wi-Fi signal extender is recommended to boost the signal at the installation point.

Appendix

Install Memory Card (Optional)

- Remove the door on the side of the camera.
- Remove the silicone plug.
- Insert a microSD card into the slot until a click.
- Put the silicone plug back and make sure it is fully plugged in the SD card slot.
- Place the door cover back on.



microSD Card


- Recommended compatibility: Class 10, Max.128GB.
- Initialize the card in the app before using it.

Reset Button

Hold for 5 seconds to restart and reset all parameters to default.

Initialize Memory Card

1. In the app, check the memory card status by tapping on the **Storage Status** in the **Device Settings** interface.

Wi-Fi Configure	TEST-WiFi  >
Storage Status	>
Device Version	Vx.x.x build xxxxxx No new version.

2. If the memory card status displays as **Uninitialized**, tap to initialize it. The status will then change to **Normal**.

UD12652C