

Serie | 4 Tumble Dryer
WTM85230GB
Condenser tumble dryer with heat pump

A++
Our heatpump dryer with SelfCleaning Condenser™ and A++. Great performance guaranteed along with long life low consumption.

- **SelfCleaning Condenser™:** automatic condenser cleaning guarantees a high drying performance with durably low energy consumption.
- **Drainset:** no need to empty condensation water manually as it is automatically drained.
- **SensitiveDrying System:** the unique drum structure protects and delivers a drying performance without creases.
- **Noise Level:** pleasantly quiet at 64 dB.
- Easy-to-use LED display with touch control and many additional functions like start delay and remaining time.

Technical Data

Construction type :	Free-standing
Removable work top :	No
Door hinge :	Right
Length of electrical supply cord (cm) :	145.0
Height of removable worktop (mm) :	842
Dimensions of the product (mm) :	842 x 598 x 599
Net weight (kg) :	51.0
Fluorinated greenhouse gases :	Yes
Type of refrigerant :	R134a
Hermetically sealed equipment :	Yes
Quantity of fluorinated gases (kg) :	0.220
The quantity expressed in CO2 equivalent (t) :	0.315
EAN code :	4242005032860
Connection rating (W) :	1000
Current (A) :	10
Voltage (V) :	220-240
Frequency (Hz) :	50
Approval certificates :	CE, VDE
Capacity cotton (kg) - NEW (2010/30/EC) :	8.0
Standard cotton programme :	Cotton cupboard dry
Energy efficiency class - NEW (2010/30/EC) :	A++
Energy consumption electric dryer, full load - NEW (2010/30/EC) :	1.80
Standard cotton programme time at full load (min) :	203
Energy consumption electric dryer, partial load - NEW (2010/30/EC) (kWh) :	1.07
Standard cotton programme time at partial load (min) :	126
Weighted annual energy consumption, electric dryer - NEW (2010/30/EC) (kWh) :	224.0
Weighted programme time (min) :	159
Average condensation efficiency full load (%) :	83
Average condensation efficiency partial load (%) :	83
Weighted condensation efficiency (%) :	83



Serie | 4 Tumble Dryer

WTM85230GB

Condenser tumble dryer with heat pump

Our heatpump dryer with SelfCleaning Condenser™ and A++. Great performance guaranteed along with long life low consumption.

Performance

- Energy efficiency class: A++
- Capacity: 8 kg
- Energy consumption 224.0 kWh per year, based on 160 drying cycles of the standard cotton programme at full and partial load, and the consumption of the low-power modes. Actual energy consumption per cycle will depend on how the appliance is used
- Energy consumption of the standard cotton programme at full load 1.8 kWh and energy consumption of the standard cotton programme at half load 1.07 kWh
- The programme Cottons cupboard dry used at full and partial load is the standard drying programme to which the information in the label and the fiche relates, this programme is suitable for drying normal wet cotton laundry and is the most efficient programme in terms of energy consumption for cotton.
- Programme time of the standard cotton programme at full load 203 min and programme time of the standard cotton programme at partial load 126 min.
- Weighted programme time of the standard cotton programme at full and partial load: 159 min.
- Condensation efficiency class B on a scale from G (least efficient) to A (most efficient).
- Average condensation efficiency of the standard cotton programme at full load 83 % and average condensation efficiency of the standard cotton programme at partial load 83 %.
- Weighted condensation efficiency for the standard cotton programme at full and partial load: 83 %.
- Power consumption in off-mode 0.1 W and in left-on mode 0.5 W
- Duration of left-on mode: NO_FEATURE
- Noise level: 64 dB (A) re 1 pW

Programmes/functions

- Fully electronic control dial for sensor programmes and timed programmes
- Special programmes: Woollens, Mixed Load, Towels, Timed programme warm, Timed programme cold, Sportswear, Super Quick 40, Shirts/blouses, Delicates
- Touch control buttons: Low heat, Reduced ironing, Drying length, start/pause, fine-tuning for drying level, 24 hour Time Delay

Key features

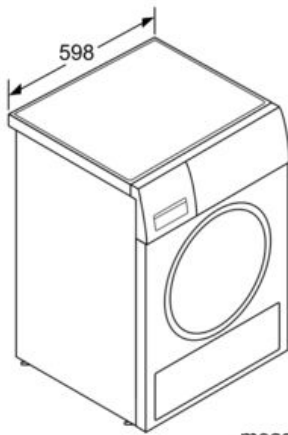
- ActiveAir Technology
- Heat Pump with self cleaning condenser
- Sensitive drying: large stainless steel drum with textile care and revolution drying system
- AntiVibration design: for greater stability and quietness

Additional features

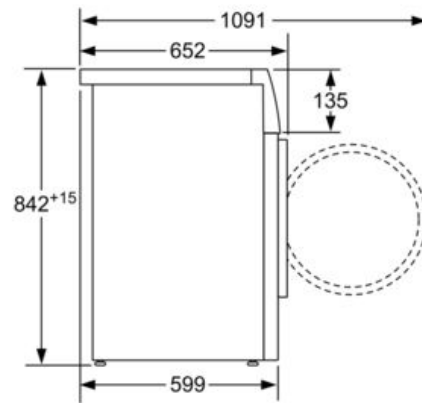
- LED Display for remaining time and 24 hours time delay, programme status indication, special functions
- Anti crease cycle 120 minutes at the end of the programme
- Drum interior light
- Full container tank indicator
- Child lock
- Buzzer to indicate the end of cycle
- Door hinge: right-hand
- Container for condensed water

Technical Information

- Dimensions (H X W X D): 84.2 x 59.8 x 59.9 cm
- slide-under installation
- Glass door, silver-white

Serie | 4 Tumble Dryer**WTM85230GB****Condenser tumble dryer with heat pump**

measurements in mm



measurements in mm