

# FEATURE HIGHLIGHTS

- 1,5X ZOOM
- THROW RATIO:1.39~2.09
- 13000:1 HIGH CONTRAST RATIO
- EXTRON IP LINK CERTIFIED
- ADVANCE INFOGRAPHIC PICTURE MODE



## Product Specifications

Articlenumber	9HJGJ77.25E	
EAN Code	471 8755 07821 7	
Projection System	DLP	
DMD type	DC3	
Native Resolution	1920 x 1080 pixels, 16:9	
Brightness	5000 ANSI Lumens	
Contrast Ratio*	13,000 : 1	
Display Color	1,07 billion	
Aspect Ratio	Native 16:9 (5 aspect ratio selectable)	
Projection Size	25.9"~324.9"	
Throw Ratio	1.39~2.09	
Zoom Ratio	1,5x	
Lens	F# : 2.42 ~2.97, f : 20.7 ~ 31.05mm	
Lens Shift	NA	
Light Source Type	Lamp (310W)	
Light Source Life **	Normal 2,500 hours / Eco 3,500 hours / SmartEco 4,500 hours	
Keystone Correction	2D, Horizontal / Vertical ± 30 degree	
Projection Offset	114.9% (Full Height)	
Resolution Support	VGA(640 x 480) zu WUXGA_RB(1920 x 1200)	
Horizontal Frequency	15K ~102 kHz	
Vertical Scan Rate	23 ~ 120 Hz	
Compatibility	HDTV Compatibility	480i, 480p, 576i, 576p, 720p, 1080i, 1080p
	Video Compatibility	NTSC, PAL, SECAM
Speaker	10W x1	
Security	Security bar / Kensington Security Slot	
Dimensions (W x H x D)	314 x 117 x 233 mm	
Weight	3,3 kg	
Power Supply	100~ 240 V AC, 4.2A, 50/60 Hz	
Power Consumption	Max 420W / Normal 365W / Eco 290W	
Standby Power Consumption	Normal < 0,5W	
Audible Noise	36 / 31 dBA (Normal/Eco mode)	
Operating Temperature	0 ~ 40°C	
On-Screen Display Languages	Arabic / Bulgarian / Croatian/ Czech / Danish / Dutch / English / Finnish / French / German / Greek / Hindi / Hungarian / Italian / Indonesian / Japanese / Korean / Norwegian / Polish / Portuguese / Romanian / Russian / Simplified Chinese / Spanish / Swedish / Turkish / Thai / Traditional Chinese (28 Languages)	
Accessories	<b>Standard</b>	<b>Optional</b>
	Power Cord (by region) Remote Control w Battery VGA Kabel User Manual CD QSG Warranty Card	Spare Lamp Kit P/N: 5JJFG05.001 Ceiling Mount P / N: 5JJAM10.001 Wireless dongle: QCast (QP01) Instashow (WDC10) Carry Bag 3D Glasses (5JJ9H25.002)
Guarantee	36 month	

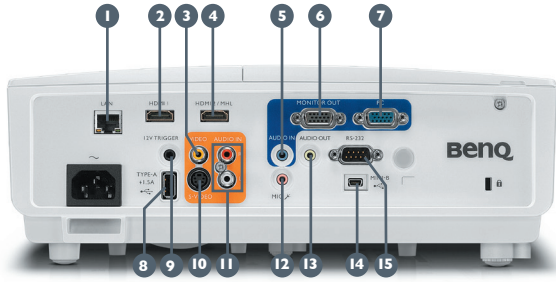
\*Lamp in this product contains mercury. To dispose of the product or used lamps, consult your local environment authorities for regulations or see [www.lamprecycle.org](http://www.lamprecycle.org).

\*\*Lamp life results will vary depending on environmental conditions and usage. Actual product's features and specifications are subject to change without notice.

\*\*Default mode is Presentation. When 3D is on, Picture Modes only shows 3D. When 3D is off, it is not shown in Picture Modes.

\*\*\* Storage: Temperature: -20~60°C; Humidity: 10~90%RH (without condensation)

## Input and Output Terminals



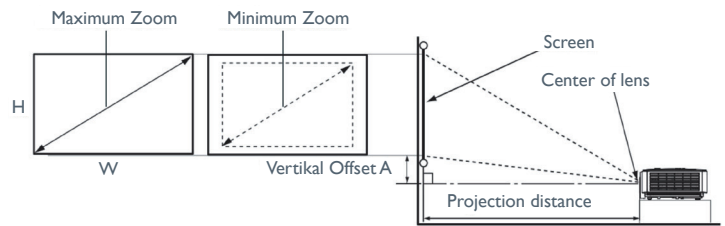
- |                            |                               |
|----------------------------|-------------------------------|
| ① LAN (RJ45)               | ⑨ DC 12V Trigger (3.5mm Jack) |
| ② HDMI 1                   | ⑩ S-Video in                  |
| ③ HDMI 2 / MHL             | ⑪ Audio L/R in (RCA)          |
| ④ Composite Video in (RCA) | ⑫ Microphone in (Mini Jack)   |
| ⑤ Audio in (Mini Jack)     | ⑬ Audio out (Mini Jack)       |
| ⑥ Monitor out              | ⑭ USB (Type mini B)           |
| ⑦ PC (D-sub 15pin)         | ⑮ RS232 (DB-9pin)             |
| ⑧ USB (Type A)             |                               |

## Dimensions

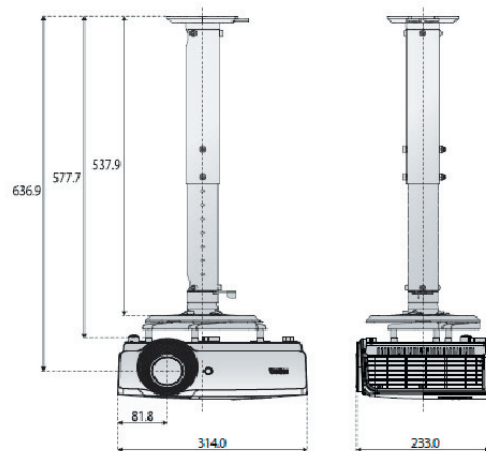
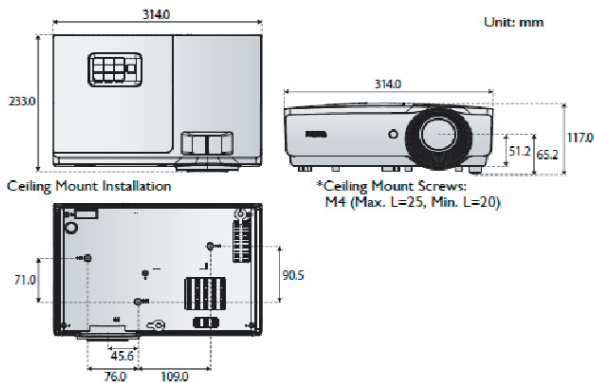


## Distance Chart

Screen				Distance from screen (mm)			Offset (mm)
Diagonal		W (mm)	H (mm)	Min distance	Average	Max distance	
Inch	mm						
60	1524	1328	747	1846	2311	2776	111
70	1778	1550	872	2145	2696	3239	130
80	2032	1771	996	2462	3082	3701	149
90	2286	1992	1121	2769	3467	4164	167
100	2540	2214	1245	3077	3852	4627	186
120	3048	2657	1494	3693	4622	5552	223
150	3810	3321	1868	4616	5778	6940	179
170	4318	3763	2117	5231	6548	7866	316
180	4572	3985	2241	5539	6934	8328	334
190	4826	4206	2366	5847	7319	8791	353
200	5080	4428	2491	6154	7704	9254	371
250	6350	5535	3113	7693	9630	11567	464
300	7620	6641	3736	9232	11556	13881	557



## Ceiling Mount Chart



### BenQ Europe B.V.

Meerakkerweg 1-17  
5652 AR Eindhoven  
The Netherlands  
Tel: +31 88 8889200

BenQ.eu

© 2018 BenQ Corp. Specifications may vary by region, please visit your local stores for details. Actual product's features and specifications are subject to change without notice. This material may include corporate names and trademarks of third parties which are the properties of the third parties respectively. Latest Update: 2018-11-30

# BENQ