

HP TFT7600 G2 Rackmount Keyboard Monitor KVM Console User Guide



Part Number 615930-001
June 2010 (First Edition)

© Copyright 2010 Hewlett-Packard Development Company, L.P.

The information contained herein is subject to change without notice. The only warranties for HP products and services are set forth in the express warranty statements accompanying such products and services. Nothing herein should be construed as constituting an additional warranty. HP shall not be liable for technical or editorial errors or omissions contained herein.

ENERGY STAR and ENERGY STAR mark are registered U.S. trademarks.

Intended audience

This document is for the person who installs racks and rack products. This procedure is performed only by trained personnel. HP assumes you are qualified in performing installations and trained in recognizing hazards in rack products.

Contents

| | |
|---|----|
| Introduction | 5 |
| HP TFT7600 KVM Console features | 5 |
| ENERGY STAR compliant | 6 |
| Main components | 6 |
| Rear components | 7 |
| Installation | 8 |
| Kit contents | 8 |
| Installing the HP TFT7600 G2 Rackmount Keyboard Monitor KVM Console | 8 |
| Connecting and routing cables | 12 |
| Accessing the HP TFT7600 KVM Console | 13 |
| Removing the HP TFT7600 KVM Console | 14 |
| Removing the HP 1U Adjustable Toolless Rails | 14 |
| Removing PS2 cables with cable-locking mechanism | 14 |
| Enabling the native display resolution of 1440x900 in HP-UX | 15 |
| Operational overview | 16 |
| On-screen display | 16 |
| Launching OSD menu | 16 |
| Navigating OSD | 16 |
| OSD menu | 17 |
| Brightness/Contrast | 17 |
| Image control | 17 |
| Advanced | 18 |
| Auto Configuration | 19 |
| Factory settings | 19 |
| Language | 19 |
| Information | 19 |
| Maintenance | 20 |
| Maintenance guidelines | 20 |
| Cleaning the monitor | 20 |
| Shipping instructions | 21 |
| Moving a rack with the HP TFT7600 KVM Console installed | 21 |
| Specifications | 22 |
| HP TFT7600 KVM Console specifications | 22 |
| Environmental requirements | 22 |
| Regulatory compliance notices | 23 |
| Regulatory compliance identification numbers | 23 |
| Federal Communications Commission notice | 23 |
| FCC rating label | 23 |
| Class A equipment | 23 |
| Class B equipment | 23 |
| Declaration of conformity for products marked with the FCC logo, United States only | 24 |
| Modifications | 24 |
| Cables | 24 |

| | |
|--|-----------|
| Canadian notice (Avis Canadien) | 24 |
| European Union regulatory notice | 25 |
| Japanese notice | 26 |
| BSMI notice | 26 |
| Korean notice | 26 |
| Chinese notice | 27 |
| China energy regulations | 27 |
| Disposal of waste equipment by users in private households in the European Union | 27 |
| Power cord requirement | 27 |
| Power cord statement for Japan | 28 |
| Electrostatic discharge | 29 |
| Preventing electrostatic discharge | 29 |
| Grounding methods to prevent electrostatic discharge | 29 |
| Technical support | 30 |
| HP contact information | 30 |
| Acronyms and abbreviations | 31 |
| Index | 32 |

Introduction

HP TFT7600 KVM Console features

The HP TFT7600 KVM Console is a rack-mountable 1U integrated flat-panel monitor and keyboard with touchpad.

NOTE: 1U = 1.75 inches or 44.45 cm

The HP TFT7600 KVM Console is mounted on rails with space available to add a 1U KVM switch box behind the unit. The console can be used with all HP racks.

The HP TFT7600 KVM Console uses a 43.9-cm (17.3-inch) color-active matrix TFT LCD ("[Main components](#)" on page 6).

| Feature | Description |
|------------------------|---|
| Display | 43.9-cm (17.3-inch) viewable area display |
| Resolution | 640 x 480 (VGA) through 1280 x 1024 (SXGA), 1440 x 900 (WXGA+), and 1600 x 900 (WXGA+) |
| Monitor input | Plugs into a standard VGA connector; does not require a special graphics adapter card |
| Plug and Play | Plug-and-Play capability if supported by your system |
| OSD | Available in seven languages: <ul style="list-style-type: none">• English• French• German• Italian• Japanese• Simple Chinese• Spanish |
| Keyboard with touchpad | Three-button touchpad with scroll bar |
| Power supply | 12v DC/36 Watt |
| Scroll keys | Four scroll keys (inverted T) |

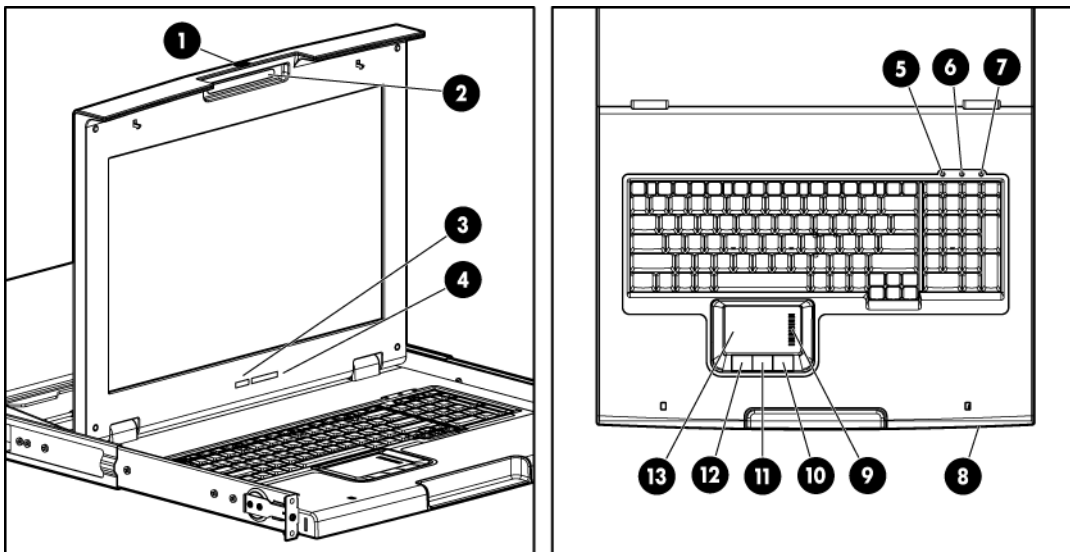
ENERGY STAR compliant

The HP TFT7600 KVM Console is ENERGY STAR® qualified.



For more information about the ENERGY STAR® qualifications, see the HP website (<http://www.hp.com/hpinfo/globalcitizenship/environment/products/ecolabels.html>).

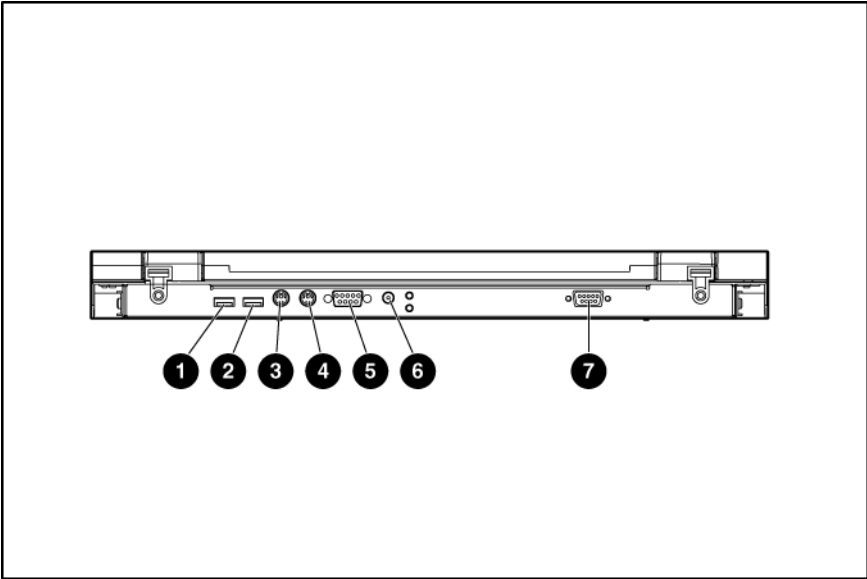
Main components



| Callout | Component | Function |
|---------|-------------------------------|--|
| 1 | Display release latch | Pushes down to unlatch the display assembly |
| 2 | Blue LED | <ul style="list-style-type: none"> Turns on when the display is closed Helps identify the HP TFT7600 KVM Console in a rack |
| 3 | OSD activation button | <ul style="list-style-type: none"> Launches OSD menus Selects Exits menus and OSD |
| 4 | OSD scroll up and down button | Used to scroll in the OSD menu and adjust functions |
| 5 | Scroll lock LED | Lights when Scroll lock is on |
| 6 | Cap lock LED | Lights when Cap lock is on |
| 7 | Number lock LED | Lights when Number lock is on |

| Callout | Component | Function |
|---------|--------------------|---|
| 8 | USB connection | Pass-through to the rear USB port |
| 9 | Scroll bar | Used to scroll on the monitor |
| 10 | Right pick button | Used to select the option on the right |
| 11 | Middle pick button | Used to select the option in the middle |
| 12 | Left pick button | Used to select the option on the left |
| 13 | Touchpad | Used to move the mouse on the monitor |

Rear components



| Callout | Component |
|---------|-----------------------------|
| 1 | USB pass-through |
| 2 | USB keyboard and mouse port |
| 3 | PS2 keyboard port |
| 4 | PS2 mouse port |
| 5 | VGA input port |
| 6 | Power connection port |
| 7 | Serial firmware port |

Installation

Kit contents

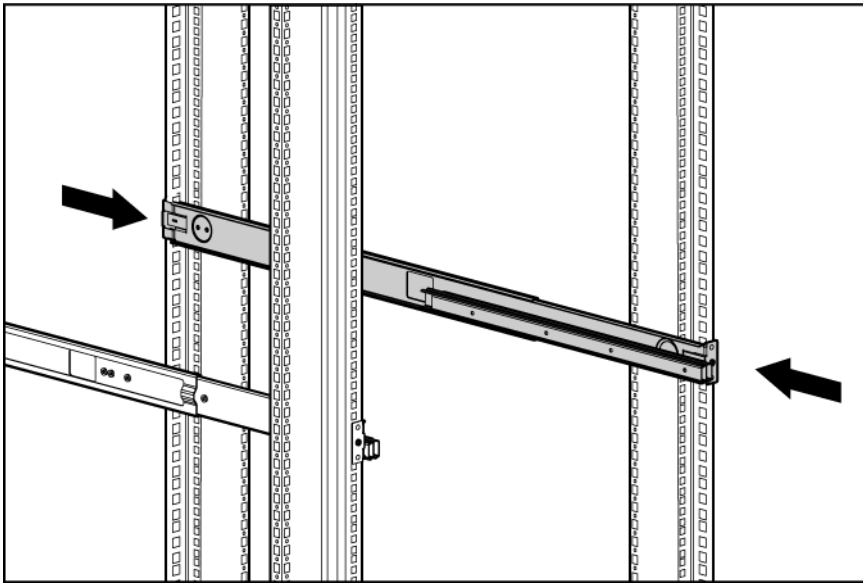
| Item | Quantity |
|---|----------|
| HP TFT7600 KVM Console | 1 |
| M6 screws | 4 |
| 6-32 screws | 5 |
| HP Adjustable Toolless Rails | 2 |
| Cable management arm, power adapter with brace rail | 1 |
| Lock plates | 2 |
| USB cables | 2 |
| PS2 cables | 2 |
| Video cable | 1 |
| Power cords | 2 |
| USB cable labels | 2 |

This kit might contain extra hardware.

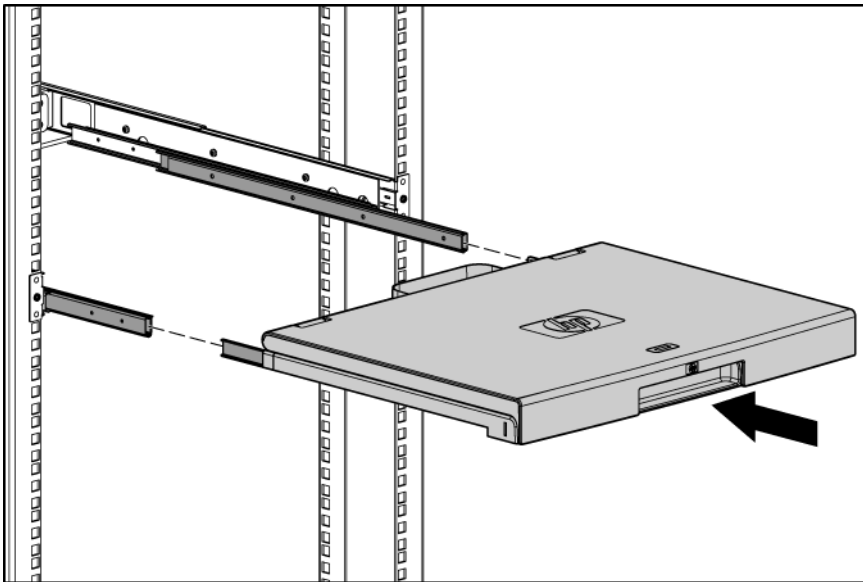
Installing the HP TFT7600 G2 Rackmount Keyboard Monitor KVM Console

1. Align the HP 1U Adjustable Toolless Rails with the holes marked on the rack, and snap them into place.
 - a. Snap one end of the HP 1U Adjustable Toolless Rails into the retna rails.
 - b. Extend the other half of the HP 1U Adjustable Toolless Rails to meet the appropriate rack depth, and snap them into place.

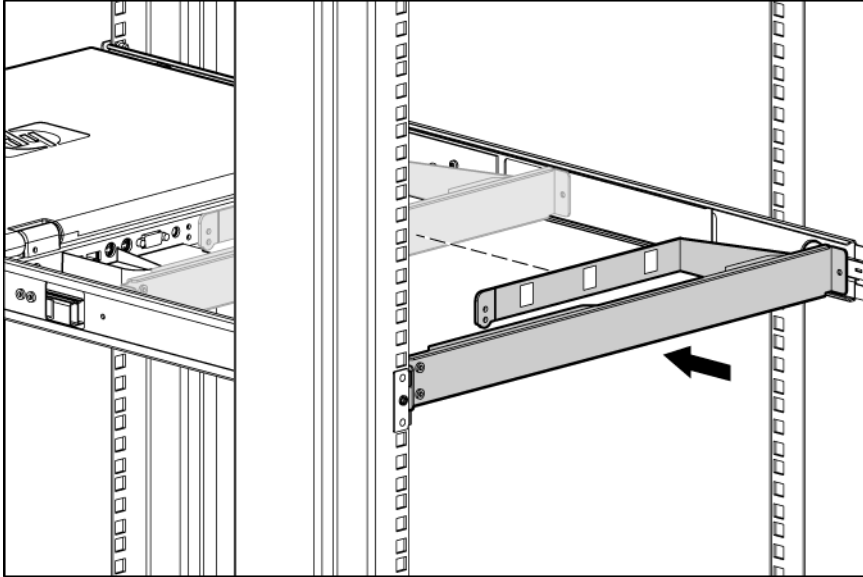
NOTE: If the HP 1U Adjustable Toolless Rails do not snap into place, be sure that they align with the holes marked on the rack. The holes marked on the rack must be in the same location for the front and rear of the rack.



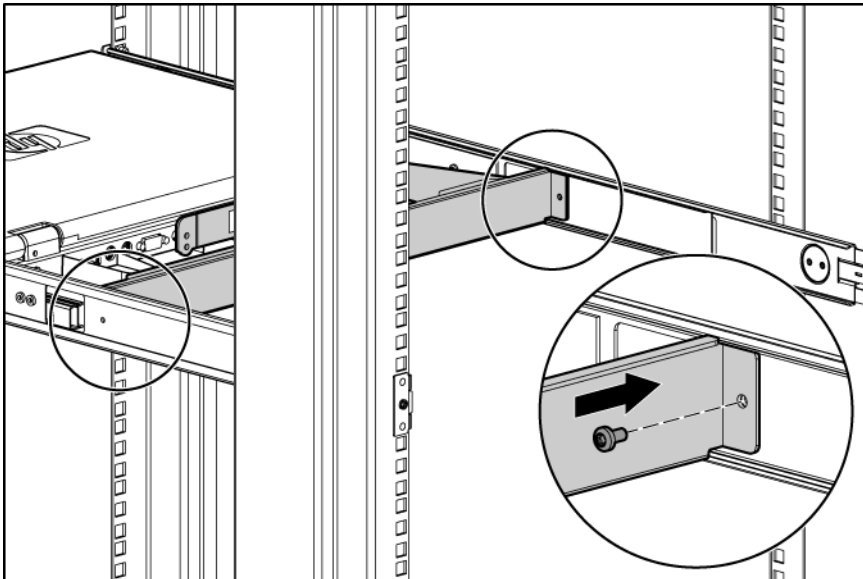
2. Extend the inner slides until they lock into place.
3. Align the unit with the extended inner slides, and then insert the unit into the rack.



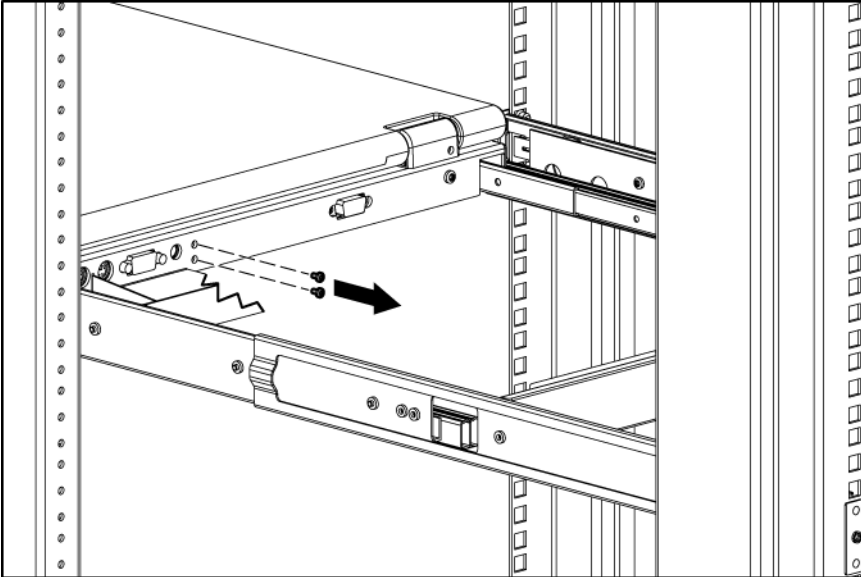
4. From the rear of the rack, slide the brace rail assembly in between the HP 1U Adjustable Toolless Rails.



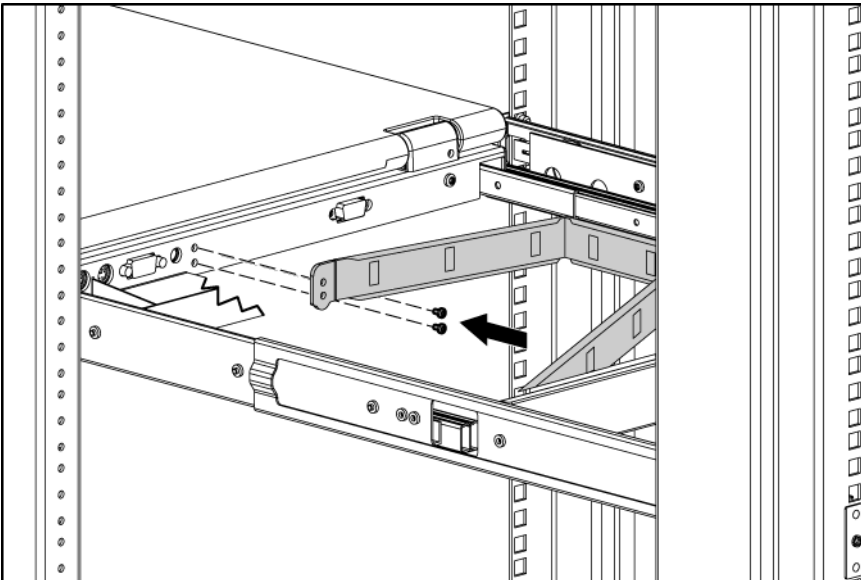
5. Align the screw holes on the brace rail with the screw holes on the HP 1U Adjustable Toolless Rails.
6. Using two 6-32 screws, secure the brace rail to the HP 1U Adjustable Toolless Rails.



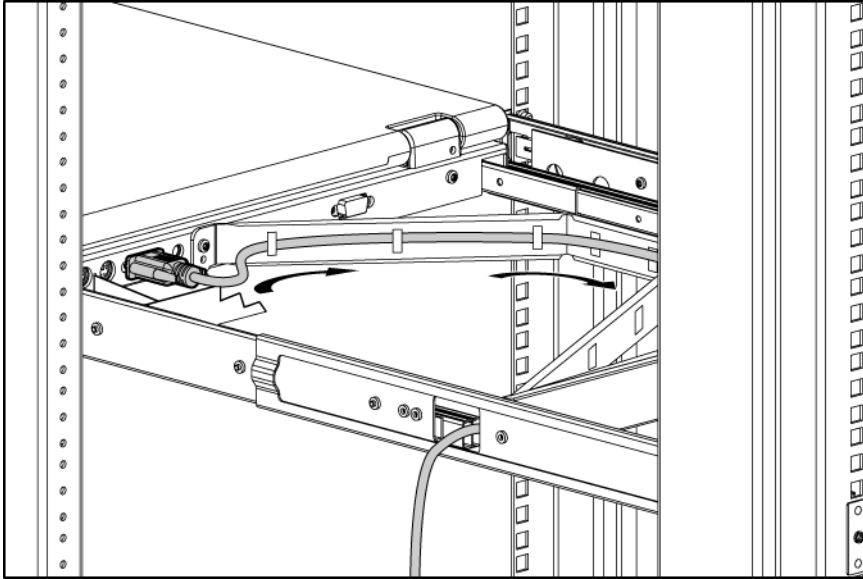
7. Remove and discard the two shipping screws from the rear of the unit.



8. Attach the cable management arm to the rear of the unit with two 6-32 screws.



9. Connect and route the cables through the cable management arm and unit opening.



Installation is complete.

Connecting and routing cables

When connecting and routing the cables through the cable management arm and cable tray to the HP TFT7600 KVM Console, use the following cable-routing method to ensure that the cables fit into the tray.



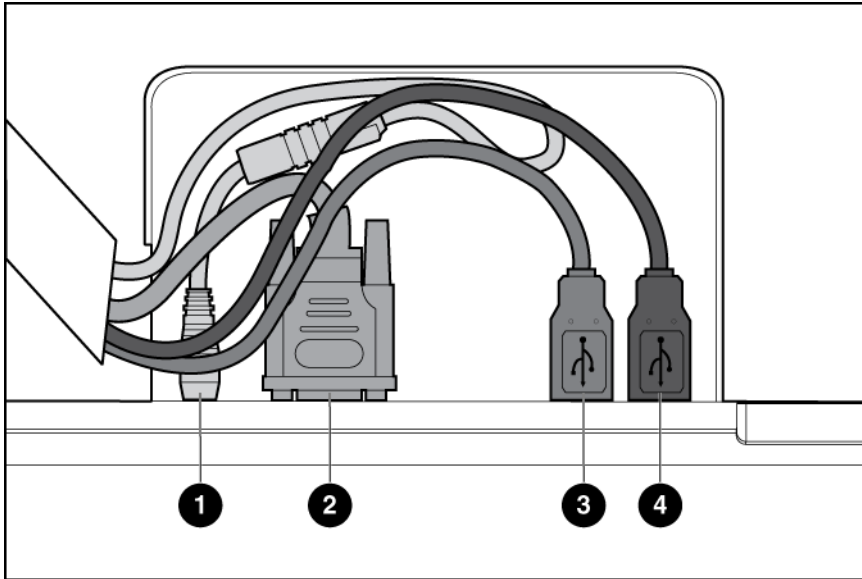
IMPORTANT: Use either the PS/2 cables or USB keyboard/mouse cable when connecting the unit to a device. Do not use both.

NOTE: The PS/2 cables use the same cable-routing method as the USB keyboard/mouse cable.

To connect and route the cables:

1. Connect and route the power cable (1).
2. Connect and route the VGA cable (2).
3. Connect and route the USB keyboard/mouse cable (3).
4. Connect and route the USB pass-through cable (4).

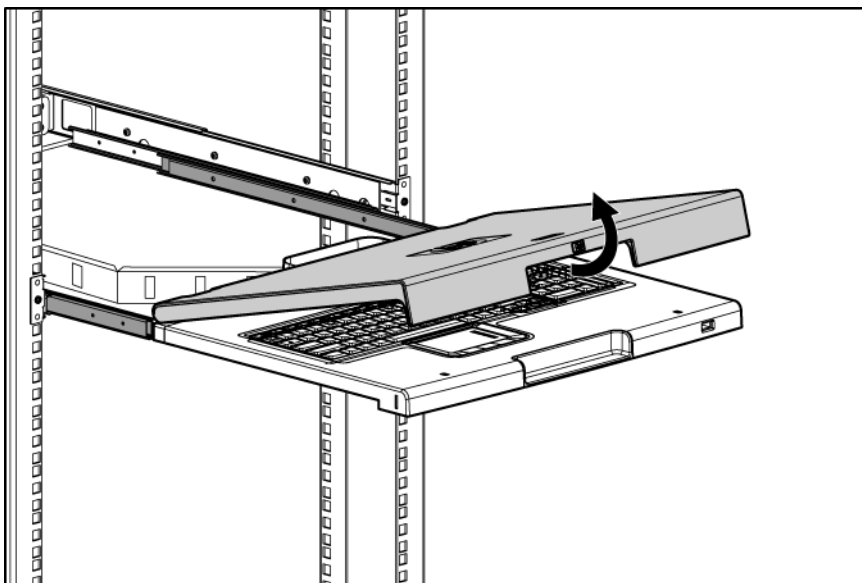
The following figure illustrates where the cables connect and how to route the cables in the tray.



| Item | Description |
|------|--------------------------|
| 1 | Power cable |
| 2 | VGA cable |
| 3 | USB keyboard/mouse cable |
| 4 | USB pass-through cable |

Accessing the HP TFT7600 KVM Console

1. Gently extend the HP TFT7600 KVM Console until the slides lock.
2. Push the display release latch, and then lift the display.



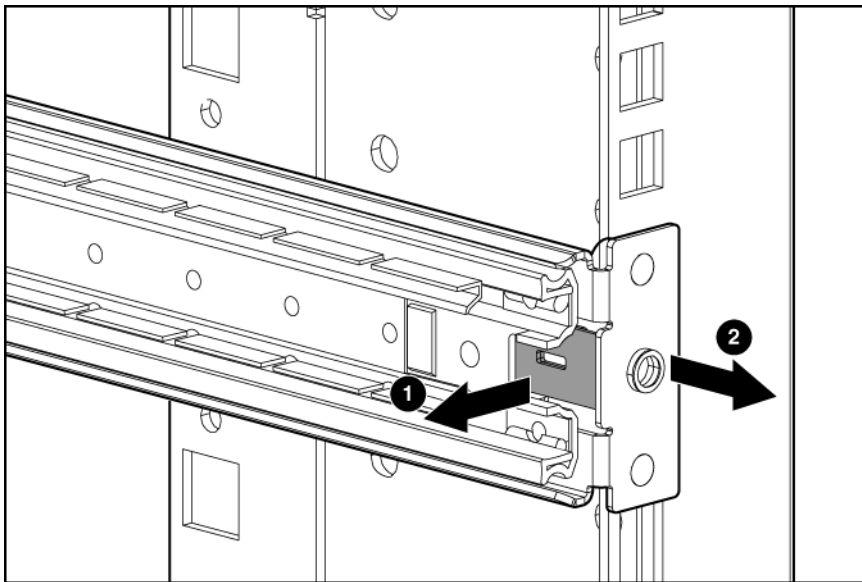
Removing the HP TFT7600 KVM Console

To remove the HP TFT7600 KVM Console, reverse the order of the steps listed in Installing the HP TFT7600 G2 Rackmount Keyboard Monitor KVM Console (on page 8).

Removing the HP 1U Adjustable Toolless Rails

1. Locate the spring release.
2. Place your hand on the outside of the HP 1U Adjustable Toolless Rails so that you can move the spring release.
3. Gently move the spring release toward the inside of the rack (1) while moving the HP 1U Adjustable Toolless Rails out toward you and away from the rack (2).

NOTE: If you cannot gain access to the spring release from the outside of the HP 1U Adjustable Toolless Rails, a tool might be required to unlock the spring release from the inside of the HP 1U Adjustable Toolless Rails.



4. Repeat the previous steps for the other HP 1U Adjustable Toolless Rail.

Removing PS2 cables with cable-locking mechanism

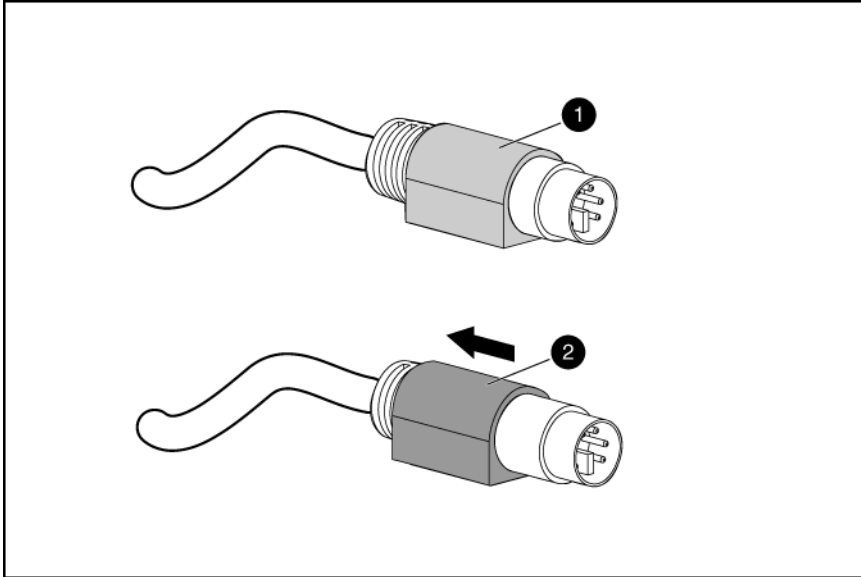
PS2 cables have a locking mechanism to provide a secure cable connection. You must use proper procedures when disconnecting these cables.

CAUTION: Failure to follow proper disconnect procedures could result in damage to the cable or to your unit.

To properly disconnect a PS2 cable:

1. Grasp the housing.

2. Slide it back to release the locking mechanism and gently pull to remove the cable.



Enabling the native display resolution of 1440x900 in HP-UX

To fix issues related to wide screen panels, verify that you have at least one of the following server patches (or newer) installed:

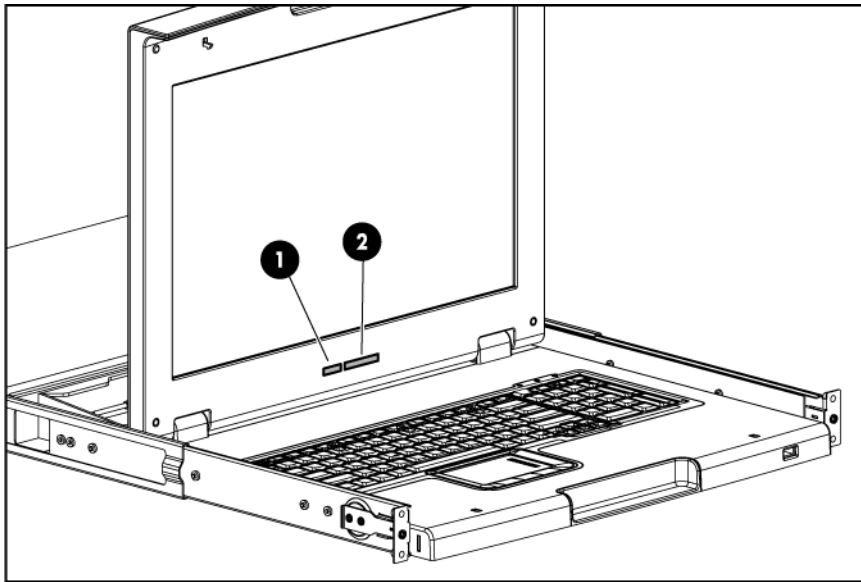
- PHSS_40809 (11.31)
- PHSS_40810 (11.23)

For more information about setting resolutions in HP-UX, see the *Graphics Administration Guide for HP-UX 11.x servers* on the HP website (<http://www.docs.hp.com/en/5900-0585/5900-0585.pdf>).

Operational overview

On-screen display

The OSD buttons are used to operate the HP TFT7600 KVM Console OSD menus.



| Callout | Component | Function |
|---------|-------------------------------|---|
| 1 | OSD activation button | <ul style="list-style-type: none">• Launches OSD menus• Selects menu options• Exits menus and OSD |
| 2 | OSD scroll up and down button | Used to scroll in the OSD menu and adjust the function |

Launching OSD menu

To launch the OSD menu:

1. Press the OSD activation button on the front panel. The main menu displays on the screen.
2. To select a menu item, scroll up or down by pressing OSD scroll up and down button.
3. Press the OSD activation button again to select your choice. A second level will expand menu items.

Navigating OSD

To navigate through the OSD menus and functions:

- Use the Up (+) or Down (-) button to scroll through the OSD menu or an OSD sub-menu. The Up (+) and Down (-) button are also used to adjust or change a function setting.

- Use the OSD activation button to select a sub-menu or a function.

Example:

To exit the OSD menu:

1. Press the **Down (-)** button to scroll to the Exit function.
2. Press the **OSD activation** button to select the Exit function and exit the OSD menu.

OSD menu

The OSD menu provides access to display settings and functions, enabling the user to customize the HP TFT7600 KVM Console display settings.

Brightness/Contrast

The Brightness/Contrast option contains the following options:

- Brightness
- Contrast
- Exit sub-menu

Brightness

The Brightness option displays a slider bar to enable the adjustment of the back light brightness.

Contrast

The Contrast option displays a slider bar to enable the adjustment of the screen contrast. Contrast adjustments are more discernable when the background is white.

Image control

The Image control option contains the following sub-menu:

- Horizontal position
- Vertical position
- Clock
- Phase
- Exit sub-menu

Horizontal position

The H position option displays a slider bar to enable the adjustment of the screen's horizontal position.

The center of the bar is obtained from the factory-preset value for Horizontal Position. At value=MIN, the selection of + positioning response might vary between XGA and SXGA panels. This is caused by physical limitations at MIN OSD placement.

Vertical position

The V position option displays a slider bar to enable the adjustment of the screen's vertical position. The center of the bar is obtained from the factory-preset value for Vertical Position.

Clock

The Clock option displays a slider bar to enable the adjustment of the Horizontal Clocks.

Phase

The Phase option displays a slider bar to enable the adjustment of the analog signals phase.

Advanced

The Advanced option provides access to the following options:

- OSD settings menu
- Exit sub-menu

OSD settings

The OSD settings option provides access to the following options:

- Lock OSD settings
 - Yes
 - No
- Timeout
- V position
- H position
- Exit sub-menu

Lock OSD settings

The Lock OSD settings option locks or unlocks the OSD settings.

Timeout

The Timeout option displays a slider bar at the right side of the OSD display to enable the adjustment of OSD timeout. The timeout ranges from 5 to 60 seconds with 1-second intervals. The default setting is 10 seconds.

Vertical position

The V position option enables the location of the OSD window to move up or down on the screen.

Horizontal position

The H position option enables the location of the OSD window to move left or right on the screen.

Auto Configuration

The Auto Configuration option performs four functions automatically:

- Auto Level—Automatically adjusts the black and white levels of the screen
- Auto Position—Automatically adjusts the position of the screen
- Auto Phase—Automatically adjusts the phase
- Auto Clock—Automatically adjusts the output clock per line to match the input

Factory settings

The Factory settings option enables the user to set the HP TFT7600 back to its original factory settings. The following options are available in the Factory settings menu list:

- Yes
- No
- Exit sub-menu

Language

The Language option allows the user to change the language in which the menu options are displayed. The following languages are available:

- English
- French
- German
- Italian
- Japanese
- Simple Chinese
- Spanish

Information

The Information option provides the following unit information:

- Current mode
- Recommended mode
- SW version
- Exit sub-menu

Maintenance

Maintenance guidelines

To protect your unit from overheating and other types of damage:

- Use only a power source and connection appropriate for this unit, as indicated on the marking label and back plate.
- If an extension cord or power strip is used, be sure that the cord or strip is rated for the product. Also, be sure that the total ampere ratings of all products plugged into the extension cord or power strip do not exceed 80% of the extension cord or power strip ampere ratings limit.
- Do not overload an electrical outlet, power strip, or convenience receptacle. The overall system load must not exceed 80% of the branch circuit rating. If power strips are used, do not allow the load to exceed 80% of the power strip input rating.
- Install the unit near an outlet that you can reach easily. Disconnect the unit by grasping the plug firmly and pulling it from the outlet. Do not disconnect the plug by pulling the cord.
- Disconnect the unit from the wall before cleaning. Do not use liquid or aerosol cleaners.
- Slots and openings in the monitor are provided for ventilation. These openings must not be blocked or covered. Do not push objects of any kind into these slots or openings.
- Do not drop the unit or place it on an unstable surface.
- Do not allow anything to rest on the power cord. Do not step on the cord.
- Keep the unit in a well-ventilated area, away from excessive light, heat, and moisture. Keep the monitor away from high-capacity transformers, electric motors, and other strong magnetic fields.
- Do not attempt to service this product yourself. Adjust only those controls that are covered by the operating instructions. If the unit is not operating properly or has been dropped or damaged, contact your HP authorized dealer, reseller, or service provider.

Cleaning the monitor

To clean the display:

1. Turn off and unplug the unit.
2. Dust the panel by wiping the screen with a soft, clean cloth.

If the screen requires additional cleaning, use any anti-static LCD screen cleaner.



CAUTION: Do not use benzene, thinner, ammonia, or any volatile substance to clean the monitor screen or cabinet. These chemicals might damage the monitor. Never use water to clean an LCD screen.

Shipping instructions

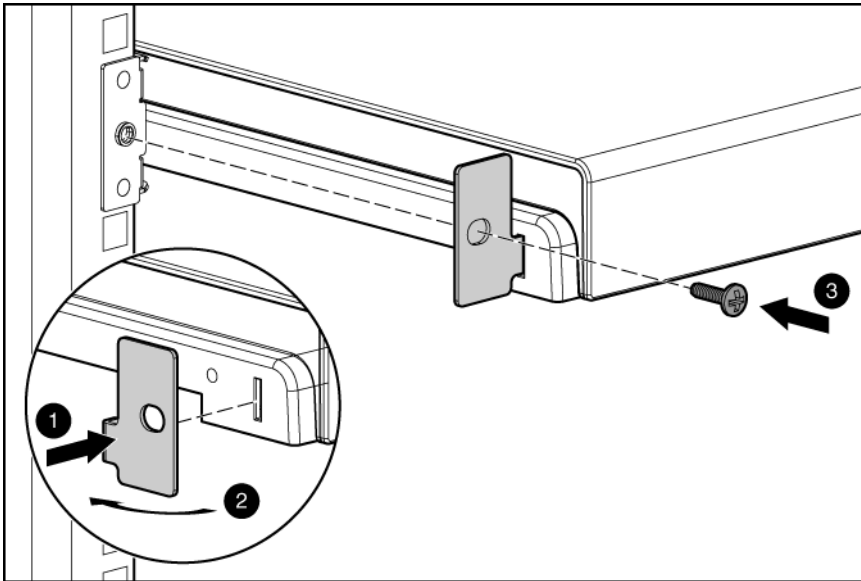
Keep the original packing box in a storage area in case you must move or ship your HP TFT7600 KVM Console.

Moving a rack with the HP TFT7600 KVM Console installed

When moving the HP TFT7600 KVM Console installed in a rack, HP recommends that you install the lock plates, included in your kit, on each side of the unit and rack.

To install lock plates:

1. Place the lock plate into the slot and rotate it back.
2. Insert one M6 screw into the hole on the lock plate, securing the unit to the rack.
3. Repeat steps 1 and 2 to install the other lock plate.



Specifications

HP TFT7600 KVM Console specifications

| Item | Specifications |
|---------------------------|---|
| Display size | 43.9 cm (17.3 inch) |
| Display type | Flat panel, active matrix-TFT LCD |
| Viewable image size | 43.9 cm (17.3 inch) diagonal |
| Maximum weight (unpacked) | 4.5 kg (10 lb) |
| Maximum height | 4.2 cm (1.7 inch) |
| Maximum depth | 42.3 cm (16.7 inch) |
| Maximum width | 43.2 cm (16.9 inch) |
| Resolution | 1440 x 900 (WXGA+) (recommended for maximum performance) 640 x 480 (VGA) through 1280 x 1024 (SXGA) |
| Response time | <16 ms |
| Brightness | >187 (cd/m ²) |
| Contrast ratio | >500:1 |

Environmental requirements

| Item | Specifications |
|----------------------------------|-------------------------------|
| Operating temperature | 0° to 40° C (32° to 104° F) |
| Storage temperature | -20° to 60° C (68° to 140° F) |
| Humidity (Non-condensing) | |
| Operating | 10% to 90% |
| Non-operating | 10% to 90% |
| Power source | |
| Input rating | 90 to 264 VAC, 47 to 63 Hz |
| Power consumption | <36 Watts |

Regulatory compliance notices

Regulatory compliance identification numbers

For the purpose of regulatory compliance certifications and identification, this product has been assigned a unique regulatory model number. The regulatory model number can be found on the product nameplate label, along with all required approval markings and information. When requesting compliance information for this product, always refer to this regulatory model number. The regulatory model number is not the marketing name or model number of the product.

Federal Communications Commission notice

Part 15 of the Federal Communications Commission (FCC) Rules and Regulations has established Radio Frequency (RF) emission limits to provide an interference-free radio frequency spectrum. Many electronic devices, including computers, generate RF energy incidental to their intended function and are, therefore, covered by these rules. These rules place computers and related peripheral devices into two classes, A and B, depending upon their intended installation. Class A devices are those that may reasonably be expected to be installed in a business or commercial environment. Class B devices are those that may reasonably be expected to be installed in a residential environment (for example, personal computers). The FCC requires devices in both classes to bear a label indicating the interference potential of the device as well as additional operating instructions for the user.

FCC rating label

The FCC rating label on the device shows the classification (A or B) of the equipment. Class B devices have an FCC logo or ID on the label. Class A devices do not have an FCC logo or ID on the label. After you determine the class of the device, refer to the corresponding statement.

Class A equipment

This equipment has been tested and found to comply with the limits for a Class A digital device, pursuant to Part 15 of the FCC Rules. These limits are designed to provide reasonable protection against harmful interference when the equipment is operated in a commercial environment. This equipment generates, uses, and can radiate radio frequency energy and, if not installed and used in accordance with the instructions, may cause harmful interference to radio communications. Operation of this equipment in a residential area is likely to cause harmful interference, in which case the user will be required to correct the interference at personal expense.

Class B equipment

This equipment has been tested and found to comply with the limits for a Class B digital device, pursuant to Part 15 of the FCC Rules. These limits are designed to provide reasonable protection against harmful interference in a residential installation. This equipment generates, uses, and can radiate radio frequency energy and, if not installed and used in accordance with the instructions, may cause harmful interference

to radio communications. However, there is no guarantee that interference will not occur in a particular installation. If this equipment does cause harmful interference to radio or television reception, which can be determined by turning the equipment off and on, the user is encouraged to try to correct the interference by one or more of the following measures:

- Reorient or relocate the receiving antenna.
- Increase the separation between the equipment and receiver.
- Connect the equipment into an outlet on a circuit that is different from that to which the receiver is connected.
- Consult the dealer or an experienced radio or television technician for help.

Declaration of conformity for products marked with the FCC logo, United States only

This device complies with Part 15 of the FCC Rules. Operation is subject to the following two conditions: (1) this device may not cause harmful interference, and (2) this device must accept any interference received, including interference that may cause undesired operation.

For questions regarding this product, contact us by mail or telephone:

- Hewlett-Packard Company
P. O. Box 692000, Mail Stop 530113
Houston, Texas 77269-2000
- 1-800-HP-INVENT (1-800-474-6836). (For continuous quality improvement, calls may be recorded or monitored.)

For questions regarding this FCC declaration, contact us by mail or telephone:

- Hewlett-Packard Company
P. O. Box 692000, Mail Stop 510101
Houston, Texas 77269-2000
- 1-281-514-3333

To identify this product, refer to the part, series, or model number found on the product.

Modifications

The FCC requires the user to be notified that any changes or modifications made to this device that are not expressly approved by Hewlett-Packard Company may void the user's authority to operate the equipment.

Cables

Connections to this device must be made with shielded cables with metallic RFI/EMI connector hoods in order to maintain compliance with FCC Rules and Regulations.

Canadian notice (Avis Canadien)

Class A equipment

This Class A digital apparatus meets all requirements of the Canadian Interference-Causing Equipment Regulations.

Cet appareil numérique de la classe A respecte toutes les exigences du Règlement sur le matériel brouilleur du Canada.

Class B equipment

This Class B digital apparatus meets all requirements of the Canadian Interference-Causing Equipment Regulations.

Cet appareil numérique de la classe B respecte toutes les exigences du Règlement sur le matériel brouilleur du Canada.

European Union regulatory notice

Products bearing the CE marking comply with the following EU Directives:

- Low Voltage Directive 2006/95/EC
- EMC Directive 2004/108/EC
- Ecodesign Directive 2009/125/EC, where applicable

CE compliance of this product is valid if powered with the correct CE-marked AC adapter provided by HP.

Compliance with these directives implies conformity to applicable harmonized European standards (European Norms) that are listed in the EU Declaration of Conformity issued by HP for this product or product family and available (in English only) either within the product documentation or at the following HP website (<http://www.hp.eu/certificates>) (type the product number in the search field).

The compliance is indicated by one of the following conformity markings placed on the product:

For non-telecommunications products and for EU harmonized telecommunications products, such as Bluetooth® within power class below 10mW.



For EU non-harmonized telecommunications products (If applicable, a 4-digit notified body number is inserted between CE and !).



Please refer to the regulatory label provided on the product.

The point of contact for regulatory matters is Hewlett-Packard GmbH, Dept./MS: HQ-TRE, Herrenberger Strasse 140, 71034 Boeblingen, GERMANY.

Japanese notice

ご使用になっている装置に VCCI マークが付いていましたら、次の説明文をお読み下さい。

この装置は、クラス B 情報技術装置です。この装置は、家庭環境で使用することを目的としていますが、この装置がラジオやテレビジョン受信機に近接して使用されると、受信障害を引き起こすことがあります。取扱説明書に従って正しい取り扱いをして下さい。

VCCI-B

VCCI マークが付いていない場合には、次の点にご注意下さい。

この装置は、クラス A 情報技術装置です。この装置を家庭環境で使用すると電波妨害を引き起こすことがあります。この場合には使用者は適切な対策を講ずるよう要求されることがあります。

VCCI-A

BSMI notice

警告使用者:

這是甲類的資訊產品，在居住的環境中使用時，可能會造成射頻干擾，在這種情況下，使用者會被要求採取某些適當的對策。

Korean notice

Class A equipment

| | |
|-----------------------|---|
| A급 기기 (업무용 방송통신기기) | 이 기기는 업무용(A급)으로 전자파적합등록을 한 기기이오니 판매자 또는 사용자는 이 점을 주의하시기 바라며, 가정 외의 지역에서 사용하는 것을 목적으로 합니다. |
|-----------------------|---|

Class B equipment

| | |
|-----------------------|--|
| B급 기기 (가정용 방송통신기기) | 이 기기는 가정용(B급)으로 전자파적합등록을 한 기기로서 주로 가정에서 사용하는 것을 목적으로 하며, 모든 지역에서 사용할 수 있습니다. |
|-----------------------|--|

Chinese notice

Class A equipment

声明

此为 A 级产品，在生活环境中，该产品可能会造成无线电干扰。在这种情况下，可能需要用户对干扰采取可行的措施。

China energy regulations

| | |
|---|---|
| 根据中国大陆<<能源效率标识管理办法 In accordance with the China Regulation of the Implementation on China Energy: | 本显示器符合以下要求: This PC Monitor is compliant with the following requirements: |
| 能源效率(cd/W) Energy Efficiency (cd/W) | >0.16 |
| 关闭状态(W) Energy consumption in off mode (W) | <2.0 |
| 能效等级 Energy Efficiency Level | 3级 |
| 能效标准 Code of National Standard applied | GB 21520-2008 |

Disposal of waste equipment by users in private households in the European Union



This symbol on the product or on its packaging indicates that this product must not be disposed of with your other household waste. Instead, it is your responsibility to dispose of your waste equipment by handing it over to a designated collection point for the recycling of waste electrical and electronic equipment. The separate collection and recycling of your waste equipment at the time of disposal will help to conserve natural resources and ensure that it is recycled in a manner that protects human health and the environment. For more information about where you can drop off your waste equipment for recycling, please contact your local city office, your household waste disposal service or the shop where you purchased the product.

Power cord requirement

The power cord should be approved for use in your country. The power cord must be rated for the product and for the voltage and current marked on the electrical ratings label of the product. The voltage and current rating for the cord should be greater than the voltage and current rating marked on the

product. In addition, the diameter of the wire must be a minimum of 1.00 mm² or 18 AWG, your maximum length may be up to 3.66 m (12 ft).

Power cord statement for Japan

製品には、同梱された電源コードをお使い下さい。
同梱された電源コードは、他の製品では使用出来ません。

Electrostatic discharge

Preventing electrostatic discharge

To prevent damaging the system, be aware of the precautions you need to follow when setting up the system or handling parts. A discharge of static electricity from a finger or other conductor may damage system boards or other static-sensitive devices. This type of damage may reduce the life expectancy of the device.

To prevent electrostatic damage:

- Avoid hand contact by transporting and storing products in static-safe containers.
- Keep electrostatic-sensitive parts in their containers until they arrive at static-free workstations.
- Place parts on a grounded surface before removing them from their containers.
- Avoid touching pins, leads, or circuitry.
- Always be properly grounded when touching a static-sensitive component or assembly.

Grounding methods to prevent electrostatic discharge

Several methods are used for grounding. Use one or more of the following methods when handling or installing electrostatic-sensitive parts:

- Use a wrist strap connected by a ground cord to a grounded workstation or computer chassis. Wrist straps are flexible straps with a minimum of 1 megohm ± 10 percent resistance in the ground cords. To provide proper ground, wear the strap snug against the skin.
- Use heel straps, toe straps, or boot straps at standing workstations. Wear the straps on both feet when standing on conductive floors or dissipating floor mats.
- Use conductive field service tools.
- Use a portable field service kit with a folding static-dissipating work mat.

If you do not have any of the suggested equipment for proper grounding, have an authorized reseller install the part.

For more information on static electricity or assistance with product installation, contact an authorized reseller.

Technical support

HP contact information

For the name of the nearest HP authorized reseller:

- See the Contact HP worldwide (in English) webpage (<http://welcome.hp.com/country/us/en/wwcontact.html>).

For HP technical support:

- In the United States, for contact options see the Contact HP United States webpage (http://welcome.hp.com/country/us/en/contact_us.html). To contact HP by phone:
 - Call 1-800-HP-INVENT (1-800-474-6836). This service is available 24 hours a day, 7 days a week. For continuous quality improvement, calls may be recorded or monitored.
 - If you have purchased a Care Pack (service upgrade), call 1-800-633-3600. For more information about Care Packs, refer to the HP website (<http://www.hp.com/hps>).
- In other locations, see the Contact HP worldwide (in English) webpage (<http://welcome.hp.com/country/us/en/wwcontact.html>).

Acronyms and abbreviations

KVM

keyboard, video, and mouse

LCD

liquid crystal display

LED

light-emitting diode

OSD

on-screen display

RKM

rackmount keyboard monitor

TFT

thin film transistor

USB

universal serial bus

VGA

video graphics array

Index

A

accessing the unit 13
Advanced 18
authorized reseller 30
auto-configuration process 19

B

BSMI notice 26

C

cable connectors 14
cables, connecting and routing 12
Canadian notice 24
Clock Adjust 18
components 6, 7, 29

D

Declaration of Conformity 24
default 18

E

electrostatic discharge 29
Energy Star 6
environmental specifications 22
European Union regulatory notice 25

F

factory default settings 19
FCC rating label 23
features 5
Federal Communications Commission (FCC)
notice 23, 24

G

grounding methods 29

H

Horizontal Position 17
HP website 30

I

Image Enhancement 17
installation instructions 8
installation overview 8
introduction 5

J

Japanese notice 26

K

kit contents 8
Korean notices 26

L

languages 19

M

maintenance 20
maintenance guidelines 20
moving a rack with the unit installed 21

N

native resolution 15
notices 2

O

On-screen display 16
operational overview 14, 16
OSD lockout 18
OSD menu 17
OSD position 18
OSD settings 18
OSD, launching 16

P

Phase adjust 17, 18
power cord 27, 28
PS/2 devices 14

R

rear components 7
regulatory compliance notices 23, 27
Removing the Brace Rail Assembly 14
removing the HP 1U Adjustable Toolless Rails 14
removing the unit 14

S

shipping the unit 21
specifications 22, 27

T

technical support 30
telephone numbers 30

V

Vertical Position 18

W

website, HP 30