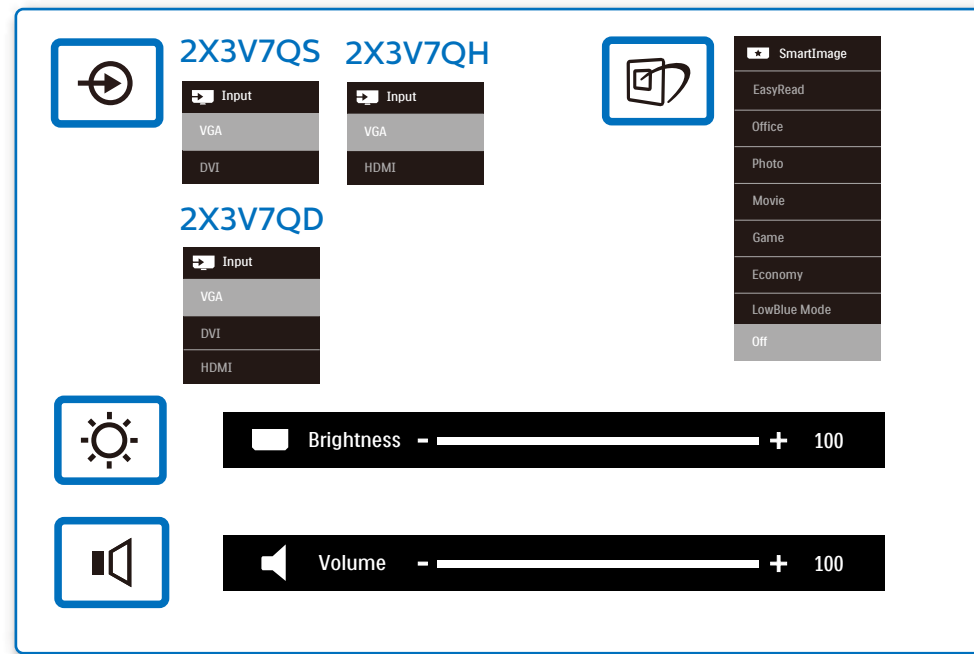
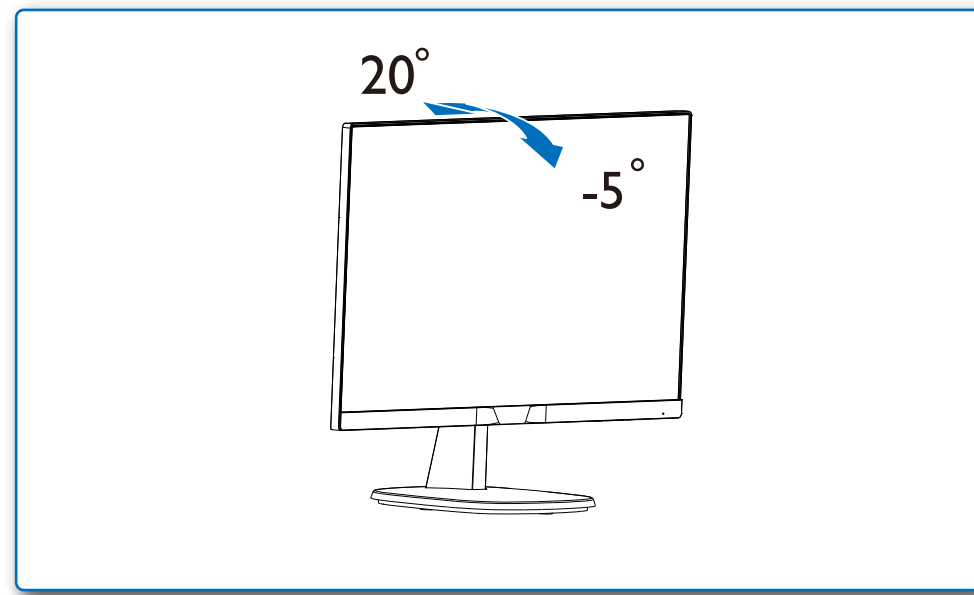


GRAPHIC DEVELOPMENT MMD	
Product name	
Project name	2X6E7-QSG
Project no.	
Finishing	Folded sheet
Scale	1:1
Size Spreads	594 (W) x 210 (H) mm
Size	148.5 (W) x 210 (H) mm
Operator(s)	
Date amended	Jul. 14, 2016
VERSION No.	13
APPROVAL	
QC Lithographer	
Product Manager	
Date Check	
ARTWORK DOCUMENT	
Paper	80gsm White, woodfree coated
Numbers of colours	2C2C
Spotcolor	
Aftertreatment	
<input type="checkbox"/>	Cropping
<input type="checkbox"/>	Coating
<input type="checkbox"/>	Varnishing
<input type="checkbox"/>	Embossing
<input type="checkbox"/>	Cutterguide
<input type="checkbox"/>	Die-cut
<input type="checkbox"/>	Binding
<input type="checkbox"/>	Glue



4



- EN** Need help?  
Online help: [www.philips.com/support](http://www.philips.com/support)
- SC** 需要帮助?  
在线帮助: [www.philips.com/support](http://www.philips.com/support)
- FR** Besoin d'Aide ?  
Aide en ligne: [www.philips.com/support](http://www.philips.com/support)
- ES** ¿Necesita ayuda?  
Ayuda en línea: [www.philips.com/support](http://www.philips.com/support)
- DE** Benötigen Sie Hilfe?  
Online-Hilfe: [www.philips.com/support](http://www.philips.com/support)
- IT** Avete bisogno di aiuto?  
Guida in linea: [www.philips.com/support](http://www.philips.com/support)
- BR** Precisa ajuda?  
Ajuda online: [www.philips.com/support](http://www.philips.com/support)
- KO** 도움이 필요하신가요?  
온라인 도움말: [www.philips.com/support](http://www.philips.com/support)
- UK** Потребуйте допомоги!  
Підтримка он-лайн: [www.philips.com/support](http://www.philips.com/support)
- RU** Нужна помощь?  
Интерактивная справка:  
[www.philips.com/support](http://www.philips.com/support)
- TR** Yardıma ihtiyacınız var mı?  
Online yardım: [www.philips.com/support](http://www.philips.com/support)
- HI** क्या सहायता की जरूरत है?  
ऑनलाइन सहायता: [www.philips.com/support](http://www.philips.com/support)
- AR** هل تريد المساعدة?  
www.philips.com/support  
للمساعدة عبر الإنترنت: [www.philips.com/support](http://www.philips.com/support)
- JP** ヘルプが必要ですか?  
オンラインヘルプ: [www.philips.com/support](http://www.philips.com/support)

Version: M72X3VQ1L  
© 2017 Koninklijke Philips N.V. All rights reserved.  
Specifications are subject to change without notice.  
Philips and the Philips Shield Emblem are registered trademarks of Koninklijke Philips N.V. and are used under license from Koninklijke Philips N.V.  
[www.philips.com](http://www.philips.com)

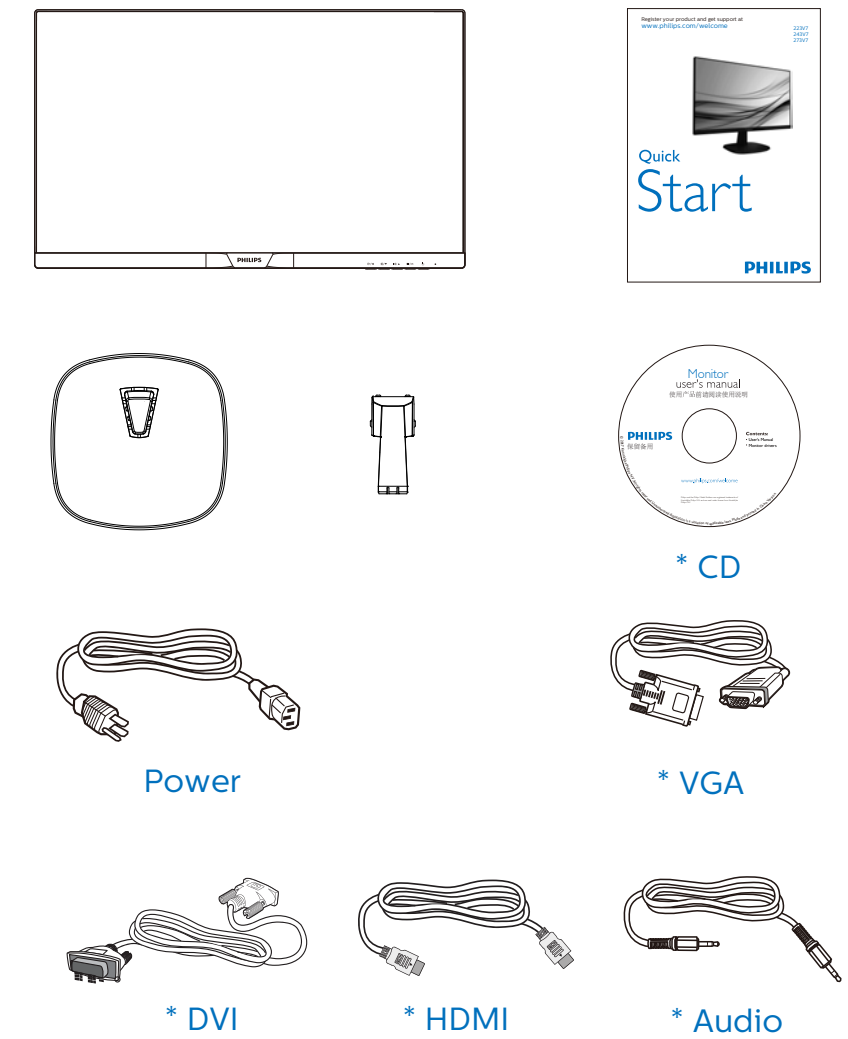


Register your product and get support at  
[www.philips.com/welcome](http://www.philips.com/welcome)

223V7  
243V7  
273V7

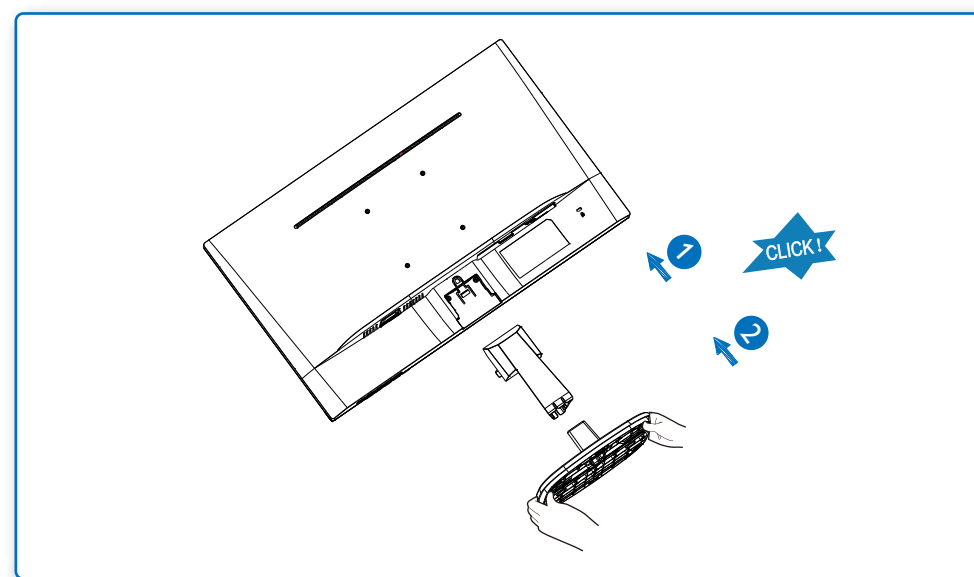


# Quick Start

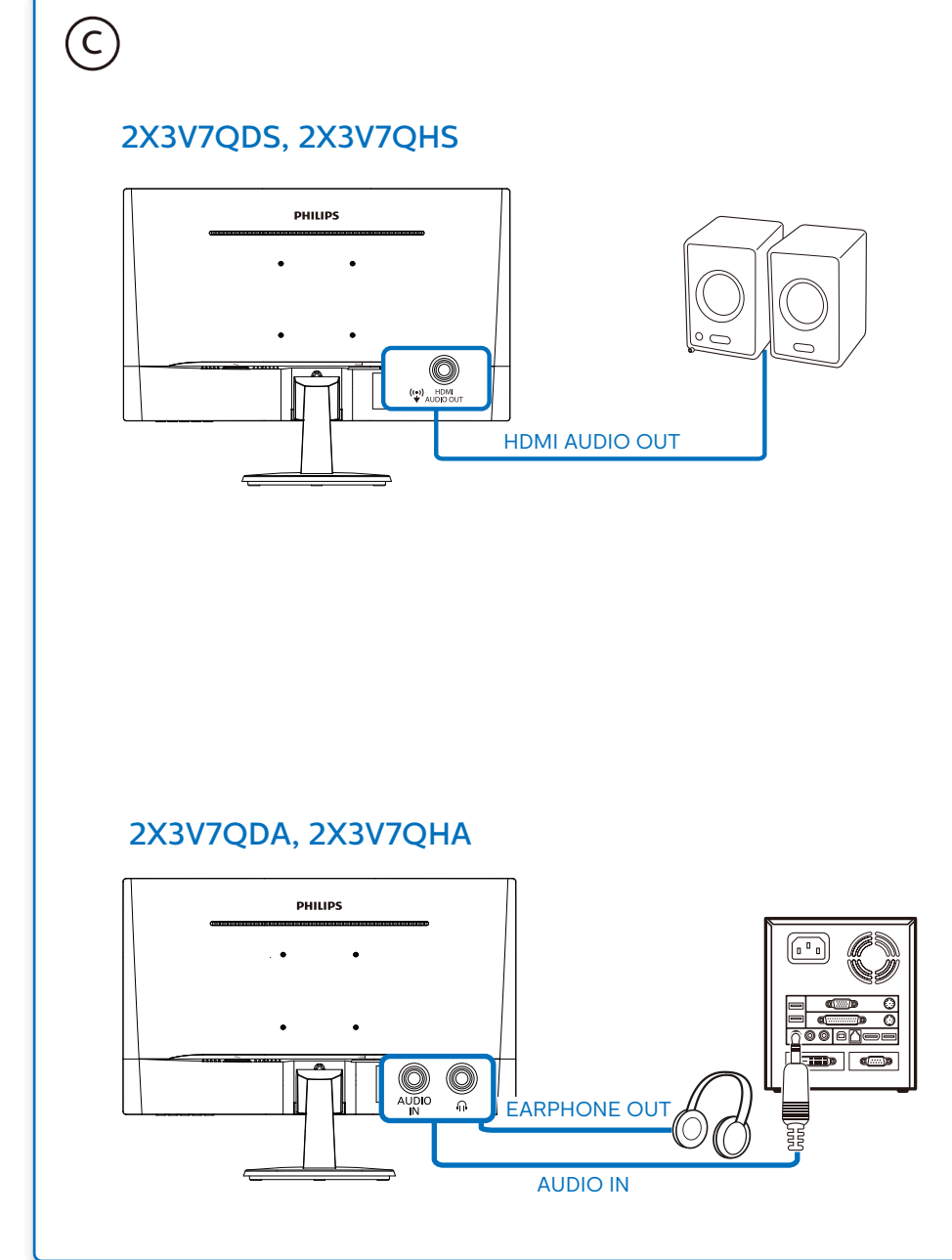
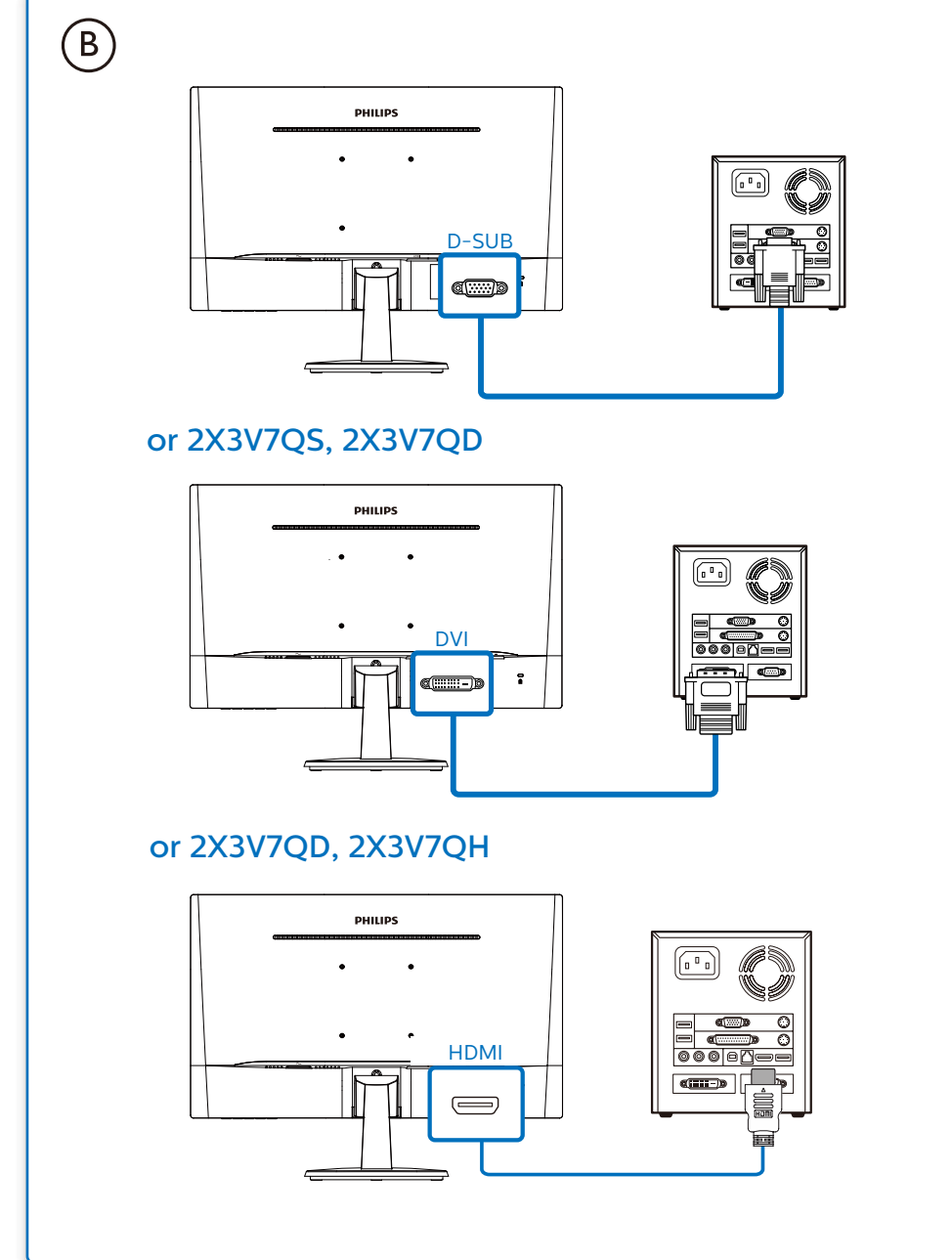
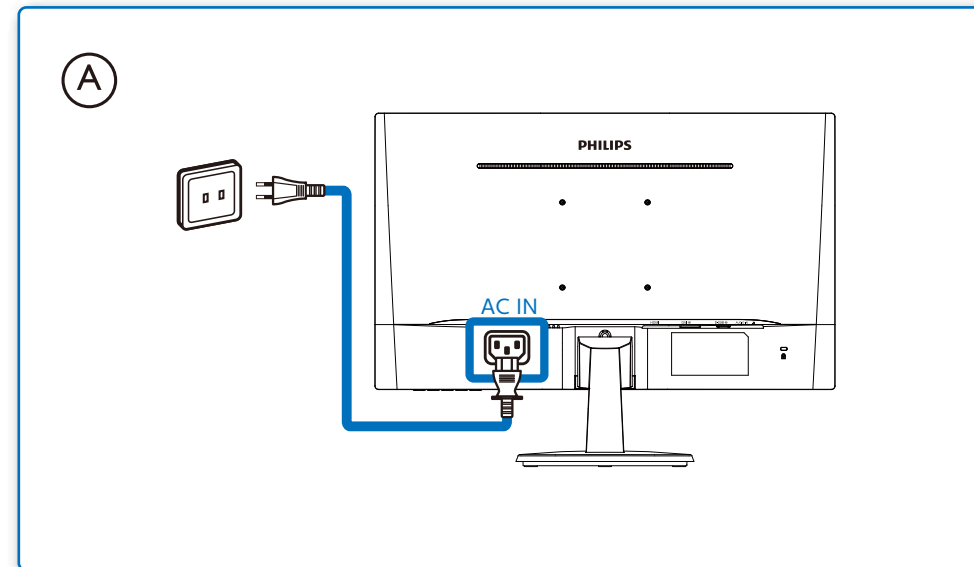


\*Different according to region  
Display design may differ from that illustrated

1



2



3

