



Use and Care Guide

Register Your New Product Today!

By registering your new Remington® product, you will receive these important benefits:
 Proof of Ownership • Product Protection • Product Registration • Special Offers
 Register online at: RemingtonProducts.com

IMPORTANT SAFETY INSTRUCTIONS

When using electrical appliances, especially when children are present, basic safety precautions should always be followed, including the following:

READ ALL INSTRUCTIONS BEFORE USING.

KEEP AWAY FROM WATER.

DANGER

As with most electrical appliances, electrical parts are electrically live even when switch is off.

To reduce the risk of death by electric shock:

- Always unplug this appliance from the electrical outlet immediately after using.
- Do not use while bathing or in the shower.
- Do not place or store this appliance where it can fall or be pulled into a tub or sink.
- Do not place or drop into water or other liquid.
- Do not reach for an appliance that has fallen into water. Unplug it immediately.
- Unplug this appliance before cleaning it.

WARNING

To reduce the risk of burns, fire, electric shock or injury to persons:

- An appliance should never be left unattended when it is plugged in.
- Close supervision is necessary when this appliance is used by, on, or near children or individuals with certain disabilities.
- Use this appliance only for its intended use as described in this manual. Do not use attachments not recommended by manufacturer.
- Never operate this appliance if it has a damaged cord or plug, if it is not working properly, if it has been dropped or damaged, or if it has been dropped into water. Return the appliance to a service center for examination and repair.
- Keep the cord away from the heated surfaces. Do not wrap the cord around the appliance.
- Never use while sleeping.
- Never drop or insert any object into any of the appliance's openings.
- Do not use outdoors or operate where aerosol (spray) products are being used, or where oxygen is being administered.
- Do not use an extension cord.
- This appliance is hot when in use. Do not let eyes or bare skin touch heated surfaces.

- Do not place the heated unit directly on any surface while it is hot or plugged in. Use the stand provided.
- The plug on this appliance has one blade wider than the other, it is a polarized plug. As a safety feature, this plug will fit in a polarized outlet only one way. If the plug does not fit fully in the outlet, reverse the plug. If it still does not fit contact a qualified electrician. Do not attempt to defeat this safety feature.
- Always store this appliance and cord in a moisture-free area. Do not store it in temperatures exceeding 140°F (60°C).
- This appliance is for household use only.
- Do not plug or unplug this appliance when your hands are wet.

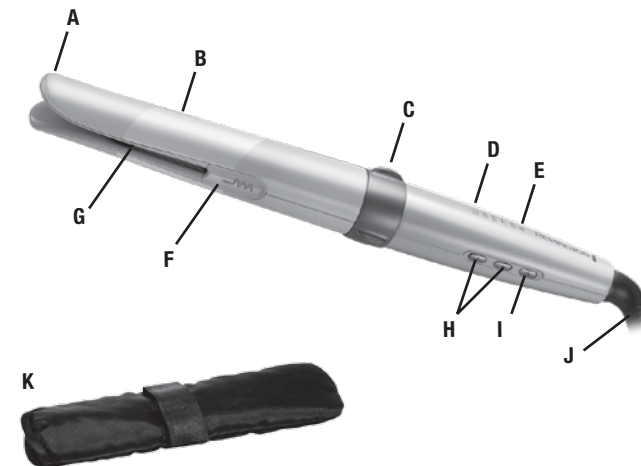


KEEP AWAY FROM CHILDREN

SAVE THESE INSTRUCTIONS

Product Features

Thank you for purchasing this Remington® Curling Iron. Please carefully read the instructions contained in this booklet, and keep them in a safe place for future reference.



List of parts and pieces:

- | | |
|-------------------------------|--------------------------|
| (A) Cool tip | (G) Opening in barrel |
| (B) Rotating Barrel | (H) Temperature controls |
| (C) 2-way rotation switch | (I) On-off switch |
| (D) Temperature display | (J) Swivel cord |
| (E) Temperature lock function | (K) Heat resistant pouch |
| (F) Shorter opening side | |

How to Use


How to Use

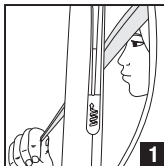
- Before use, ensure the hair is clean, dry and tangle-free.
- For extra protection use a heat protection spray.
- NOTE:** Hairsprays contain flammable material: do not use while using this product.
- Section the hair prior to styling. Style the lower layers first.
- To ensure optimum performance please ensure that the sections of hair are clean without any stray or loose hairs.
- To achieve different curl sizes, take different widths of sections and alter the temperature. See below for a guide on how to achieve different curl sizes.
- Plug the product into the main power supply.
- Press and hold the on button to switch on.
- Start styling on lower temperatures first. Select appropriate temperature for your hair type using the controls on the side of the product.
- To adjust the temperature use the '+' or '-' temperature controls on the side of the product. '+' increases

the temperature '-' decreases the temperature.

CAUTION: The hottest temperatures should only be used by experienced stylists.

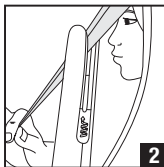
10. The temperature display flashes while the unit heats up, and then glows steadily when it has reached the selected temperature.

11. Holding the styler with one hand have the shorter opening side of the styler (indicated by  at the top of the hair strand. With the other hand hold the bottom of the of the hair strand taught. Fig 1

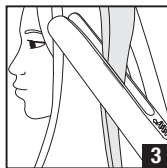


12. Slide a section of hair into the opening in the barrel. Fig 2.

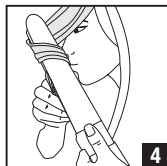
13. Keeping hold of the bottom of the strand of hair ensure the



hair strand sits across the styler at a diagonal angle. The gloss area on the styler barrel provides a guide to the correct angle the hair needs to be fed into the styler. Fig 3.



14. Still keeping hold of the bottom of the strand press the rotation switch in the direction you would like to curl the hair. Fig 4.



15. Pressing the switch to the right will rotate the barrel clockwise.

16. Pressing the switch to the left will rotate the barrel anti clockwise.

17. Release the hair strand and hold the styler in place with the rotation switch activated while the hair strand is automatically fed into the

opening and rotates up the barrel until it drops off the end.

18. Allow the hair to cool before styling.

19. Repeat this around the head to create as many curls as desired.

20. After use, press and hold the off button for 2 seconds to turn off then unplug the appliance.

Temperature Lock Function

■ Set the desired temperature by pressing '+' or '-' buttons and lock the temperature controls by pressing the '-' button for 2 seconds. The lock LED will illuminate.

■ To unlock the temperature controls, press and hold the '-' button again for 2 seconds.

■ Let the appliance cool down before cleaning and storing away.

Automatic shutoff:

This styler is equipped with automatic shutoff. This safety feature turns the unit off after 60 minutes, in case you accidentally leave it on after styling your hair.

Maintenance

Cleaning

■ To clean the unit, be sure the unit is cool and unplugged. Wipe the handle and barrel with a damp cloth. No other maintenance is necessary.

■ Do not attempt to repair the appliance yourself.

Note: This appliance has no user serviceable parts.

Storage

Unplug the unit whenever it is not in use. Allow it to cool, then store it out of reach of children in a safe, dry location.

Never wrap the cord around the appliance. This will cause the cord to wear prematurely and break, thus voiding the warranty. Handle the cord carefully and avoid jerking, twisting, or straining it, especially at plug connections.

Warranty

Limited Three-Year Warranty

Spectrum Brands, Inc. warrants this product against any defects that are due to faulty material or workmanship for a three-year period from the original date of consumer purchase.

If the product should become defective within the warranty period, we will replace it free of charge. Return your product and sales receipt with your name, address and day time phone number to: Remington Returns Center, 507 Stokely Dr., P.O. Box 1, Deforest, WI 53532. For more information call 800-736-4648 in the US or 800-268-0425 in Canada.

KEEP ORIGINAL SALES RECEIPT AS PROOF OF PURCHASE FOR WARRANTY PURPOSES.

This warranty does not cover products damaged by the following:

- Accident, misuse, abuse or alteration of the product
- Servicing by unauthorized persons
- Use with unauthorized accessories
- Connecting it to incorrect current and voltage
- Wrapping cord around appliance causing premature wear & breakage
- Any other conditions beyond our control

No responsibility, obligation, or liability is assumed for the installation or maintenance of this product.

SPECTRUM BRANDS SHALL NOT BE RESPONSIBLE FOR ANY INCIDENTAL, SPECIAL OR CONSEQUENTIAL DAMAGES RESULTING FROM THE USE OF THIS PRODUCT. ALL IMPLIED WARRANTIES, INCLUDING BUT NOT LIMITED TO IMPLIED WARRANTIES OF FITNESS AND MERCHANTABILITY, ARE LIMITED IN DURATION TO THREE YEARS FROM DATE OF ORIGINAL PURCHASE.

This warranty gives you specific legal rights and you may also have other rights which vary from state to state. Some states do not allow the exclusion or limitation of incidental, special, or consequential damages.

Spectrum Brands, Inc. Money-back Offer

If within 30 days after you have purchased your Remington branded product, you are not satisfied and would like a refund, return it with the sales slip indicating purchase price and date of purchase to the retailer from whom it was purchased. Spectrum Brands, Inc. will reimburse all retailers who accept the product within 30 days from the date of purchase. If you have any questions concerning the money-back guarantee, please call 800-736-4648 in the U.S.

Remington Guarantees Satisfaction After 30 Days!

Remington 60-Day Money Back Guarantee*

If within 60 days after purchasing any Remington product, you are not completely satisfied and would like a refund, return it with the original dated sales receipt directly to Remington and receive a full refund.** For questions concerning the money-back guarantee, please call 800-736-4648 in the U.S.

*Applies to US and Canadian customers' returns only.

**Terms and conditions apply.

Terms and Conditions

- Refund will be in the form of a check issued in US Dollars and will be provided only if all Terms and Conditions are met.
- The following items must be returned to Remington and postmarked no later than 60 days after purchase of the Remington product:
 - The Remington® product;
 - The original sales receipt indicating price and date purchased; and
 - The completed 60-day money back guarantee form located at RemingtonProducts.com/60day.
- In addition, Remington, in its discretion, must determine that the returned product was used in accordance with the instruction booklet (included with the product at the time of purchase).
- Returns should be mailed prepaid (no collect returns accepted) to: Remington 60-Day MBG, 507 Stokely Drive, Box 1, DeForest, WI 53532
- Refund does not include postage costs for the return of the product, but will include applicable taxes paid by customer, if any.
- No responsibility will be accepted for late, lost, stolen, misdirected or damaged product.
- Please allow 4-6 weeks to receive your refund by check.

120VAC 60Hz

Questions or comments:

Call 800-736-4648 or visit RemingtonProducts.com

Dist. by: Spectrum Brands, Inc. Middleton, WI 53562

© Registered Trademark of Spectrum Brands, Inc.

© 2016 Spectrum Brands, Inc. 1/16 Job #14689-00

Made in China

T22-0003898-B



Intertek