

EPSON®

EXCEED YOUR VISION



Epson AcuLaser C9200 Series

High performance A3 colour laser printer for business and graphics art needs

Add quality, versatility and value to your A3 printing with the Epson AcuLaser C9200 Series. Create superb prints in colour and black and white at up to 26 ppm and share high performance printing across a network.

Take your business printing to new levels with the Epson AcuLaser C9200 Series. Maximise speed and quality on everything from A4 office print outs to A3 rich colour graphics with Epson ASIC and Epson Resolution Improvement Technologies.

The ideal A3 colour laser: one of the highest print quality and colour accurate printers on the market thanks to Epson Resolution Improvement Technology

Speed without compromising quality: print up to 26 ppm with fast processing from Epson ASIC technology

Comprehensive connectivity: standard Ethernet 10/100 Base Tx, Hi-Speed USB, Parallel and optional Type B interfaces

Extensive language support: genuine Adobe® PostScript 3™, PCL6, PCL5C, PDF1.6 and ESC/Page as standard

Flexible paper handling: print on a range of media up to A3F, with a paper capacity from 350 to 1,850 sheets

Upgrade to suit your needs: with optional duplex* and up to 3 x 500 sheet paper cassette units**

Standard RAM: 256MB expandable to 768MB. Extra memory and advanced functions thanks to CompactFlash™ support

Handles jobs of any size: faster ripping and first page out with latest Epson technologies including MIT Memory management technology

* Standard on the Epson AcuLaser C9200DN and Epson AcuLaser C9200D3TNC

** Standard on the Epson AcuLaser C9200D3TNC

Key benefits:

- Superb quality at high-speed, up to 26 ppm in colour and black and white
- Comprehensive connectivity and printer languages including genuine Adobe® PostScript 3
- Versatile paper handling on a range of media from 350 up to 1,850 sheets
- Preconfigured models include Epson AcuLaser C9200N, Epson AcuLaser C9200DN, Epson AcuLaser C9200DTN, Epson AcuLaser C9200D3TNC



Epson AcuLaser C9200 Series

Print features

| | |
|------------------------|--|
| Resolution | 2400RIT (Epson Resolution Improvement Technology) |
| Print speed | 26 ppm in A4 Mono and Colour, 13 ppm in A3 Mono and Colour |
| First page out | A4 Colour: 11.4 seconds, Mono: 8.1 seconds |
| Warm up time | 109 sec or less |
| Maximum monthly volume | 150,000 pages |

Controller specifications

| | |
|-------------------------------------|--|
| Processor speed | 600 Mhz |
| Memory (standard/max) | 256MB / 768MB |
| Printer control language emulations | Genuine Adobe Postscript 3, PCL5c, PCL6, PDF1.6, ESC/Page-Color, ESC/Page, FX, ESCP2, I239X |
| Resident typefaces | Scalable: 84 ESC/Page, 95 PCL5c, 80 PCL6, 136 PS3 Bitmap: 7 ESC/Page, 5 PCL5c, 1 PCL6 Typeface: 10 ESC/P2, 8 FX, 8 I239X |

Interfaces and connectivity

| | |
|------------------------------|--|
| Standard interfaces | Ethernet interface (100Base-TX/10Base-T) USB 2.0HS interface Parallel interface (IEEE 1284 compliant) |
| Optional interfaces | Type-B, CompactFlash interface |
| Network printing protocols | TCP/IP: LPR, FTP, IPP, PORT2501, PORT9100, WSD Microsoft Network: Net BIOS over TCP/IP, Net BIOS over NetBEUI NetWare: Standby, NDS Print Server, Bindery Print Server, Remote Printer AppleTalk |
| Network management protocols | TCP/IP: SNMP, HTTP, TELNET, DHCP, BOOTP, APIPA, PING, DDNS, mDNS, SNT, SSDP, ENPC, SLIP, WSD, LLTD Microsoft Network: Auto-IP, SSDP MS Network (NetBEUI): SNMP, ENPC NetWare: SNMP AppleTalk: SNMP |
| Control panel | LCD 22 digits x 5 lines |

Media handling

| | |
|-------------------------|---|
| Standard paper input | 350 sheets (250 sheet Standard Cassette, 100 sheet MP Tray) |
| Maximum paper input | 1850 sheets (250 sheet Standard Cassette, 100 sheet MP Tray, 3x500 sheet Optional Paper Cassette) |
| Paper size | A3, A4, A5, B4, B5, Letter, HLT, Legal, B, GLG, GLT, EXE, F4, A3F, custom (w: 90-311.2 mm, l: 139.7-1200 mm), Envelopes (Monarch, Com #10, DL, IB5, C5, C6), Transparency, Labels |
| Paper weight | 64-256 g/m ² |
| Optional paper handling | Duplex Unit |
| Paper output | 500 sheet |

Power requirements

| | |
|---------------------------------|--|
| Rated voltage/frequency/current | AC 220-240 V: 50 Hz/60 Hz, Max: 8.0A |
| Power consumption | Printing: 576Wh, Standby: 146Wh, Sleep: 11Wh, Off: 0Wh |

System requirement and OS support

| | |
|--------------------------------------|---|
| Hardware languages | PC: Ethernet, USB or Parallel Port, MAC: EtherTalk or USB Port |
| System requirement | Microsoft Windows 2000 / XP / Server 2003 / Microsoft Windows Vista / XP x64 Edition / Server 2003 x64 Edition / Vista x64 Edition |
| Windows support | Mac OS 10.3.9 and higher |
| Mac support | For compatibility please refer to http://www.business-solutions.epson.co.uk/Compatible.htm |
| Linux/Unix/Citrix/SAP/Novell support | |

Additional software

| | |
|---------------------|---|
| Drivers and manuals | Printer Driver, Epson Status Monitor, Reference Guide |
| Software | Network Utilities, Network Guide |

Dimensions and weight (WxDxH mm, Kg)

| | |
|------------|--|
| Hardware | Epson AcuLaser C9200N: 823x608x477 mm, 49.5 Kg |
| Options | |
| C12C802502 | 500 sheet Paper Cassette Unit: 577x548x168 mm, 14.8 Kg |
| C12C802512 | Duplex Unit: 100x440x336 mm, 2.8 Kg |
| C12C847202 | Printer stand: 535x508x96 mm, 8.5 Kg |

Environmental conditions

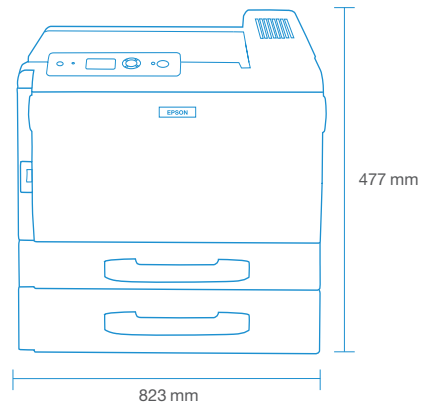
| | |
|----------------|---|
| Temperature | Operation: 10 to 35° C / Storage: 0 to 35° C |
| Humidity | Operation: 15 to 85% RH / Storage: 10 to 80% RH |
| Sound power | Operating: 7.25B (A); Standby: 5.3 B (A) |
| Sound pressure | Operating: 52dB (A); Standby: 40dB (A) |

Safety and regulations

| | |
|------------------|--|
| Safety standards | Low Voltage Directive 2006/95/EC EN60950-1, EN60825-1 GOST-R (IEC60950-1, IEC60825-1) |
| EMC/EMI | EMC Directive 2004/108/EC, EN 55022 Class B, EN 55024, EN 61000-3-2, EN 61000-3-3, GOST-R (CISPR 22) |

Warranty

| | |
|-------------------|----------------------------------|
| Standard warranty | 1 year on-site |
| Optional warranty | Extension to 3 years (ECPGRP100) |



Model configurations

| | |
|---|--------------|
| Epson AcuLaser C9200N | C11CA15011BZ |
| Main model | |
| Epson AcuLaser C9200DN | C11CA15011BY |
| Main model + Duplex unit | |
| Epson AcuLaser C9200DTN | C11CA15011BX |
| Main model + Duplex Unit + 500 sheet paper cassette unit | |
| Epson AcuLaser C9200D3TNC | C11CA15011BW |
| Main model + Duplex Unit + 3x 500 sheet paper cassette unit + printer stand | |



Supplies

| | | |
|-------------------------------|---------------|------------|
| Toner Cartridge (Yellow) | 14,000 pages* | C13S050474 |
| Toner Cartridge (Magenta) | 14,000 pages* | C13S050475 |
| Toner Cartridge (Cyan) | 14,000 pages* | C13S050476 |
| Toner Cartridge (Black) | 21,000 pages* | C13S050477 |
| Photoconductor Unit (Yellow) | 30,000 pages* | C13S051175 |
| Photoconductor Unit (Magenta) | 30,000 pages* | C13S051176 |
| Photoconductor Unit (Cyan) | 30,000 pages* | C13S051177 |
| Photoconductor Unit (Black) | 50,000 pages* | C13S051178 |
| Waste Toner Collector | 21,000 pages* | C13S050478 |



Options

| | |
|-------------------------------|------------|
| 500-Sheet Paper cassette unit | C12C802502 |
| Duplex unit | C12C802512 |
| Printer Stand | C12C847202 |
| 128MB additional Memory | 7012051 |
| 256MB additional Memory | 7012079 |
| 512MB additional Memory | 7012080 |

* Figures are approximate and are based on the number of A4 sheets printed at 5% coverage under conditions of continuous printing. Intermittent use may reduce page yield.



For further information please contact your local Epson office or visit www.epson-europe.com

Austria 0810/20 01 13 (0,07 €/Min.) Belgium 070/350120 (0.1735 €/min.) Czech 800/142 052 Denmark 44 50 85 85
Finland 0201 552 091 France 0821 010 100 (0,12 €/min) Germany 01805/23 41 10 (0,14 €/Min.) Greece 210-8099499
Hungary 06800 147 83 Ireland 1 800 409132 Italy 02-660321 10 (0,12 €/min.) Luxembourg 900/43010 (0,24 €/min.)
Middle East +9714 8818934 Netherlands 0900-5050808 (0.05 €/oproep + 0.15 €/min.) Norway 22 06 42 80
Poland 0-0-800 4911299 (0,16 zł/min.) Portugal 707 222 111 Russia (095) 777-03-55 Slovakia 0850 111 429
South Africa (+2711) 465-9621 Spain 93 582 15 00 Sweden 0771-400135 (Mobilsamtal – 0,99 kr/min, Lokala
samtal – 0,30 kr/min, Utlandssamtal – 0,89 kr/min) Switzerland 0848 448820 (4-8 cent./min.) Turkey (0212) 3360303
United Kingdom 0871 222 6702

Entity carrying out management and coordination pursuant to article 2497 bis of Civil Code: Epson Europe BV
Trademarks and registered trademarks are the property of Seiko Epson Corporation or their respective owners.
Product information is subject to change without prior notice

EPSON®