



RT-AC1200

Wireless-AC1200 Dual Band USB Router



Quick Start Manual / Kullanım Klavuzu

ASUS Recycling/Takeback Services

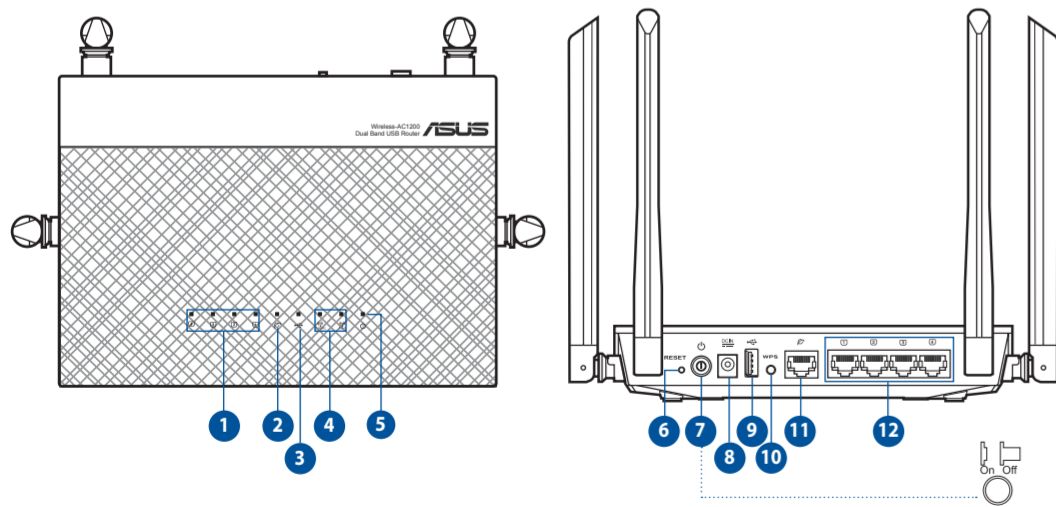
ASUS recycling and takeback programs come from our commitment to the highest standards for protecting our environment. We believe in providing solutions for you to be able to responsibly recycle our products, batteries, other components, as well as the packaging materials. Please go to <http://csr.asus.com/english/Takeback.htm> for the detailed recycling information in different regions.

Package Contents

- RT-AC1200 Wireless Router
- Network cable (RJ-45)
- Warranty card
- AC adapter
- Quick Start Guide

NOTE: If any of the items is damaged or missing, please contact your retailer.

A quick look at your RT-AC1200

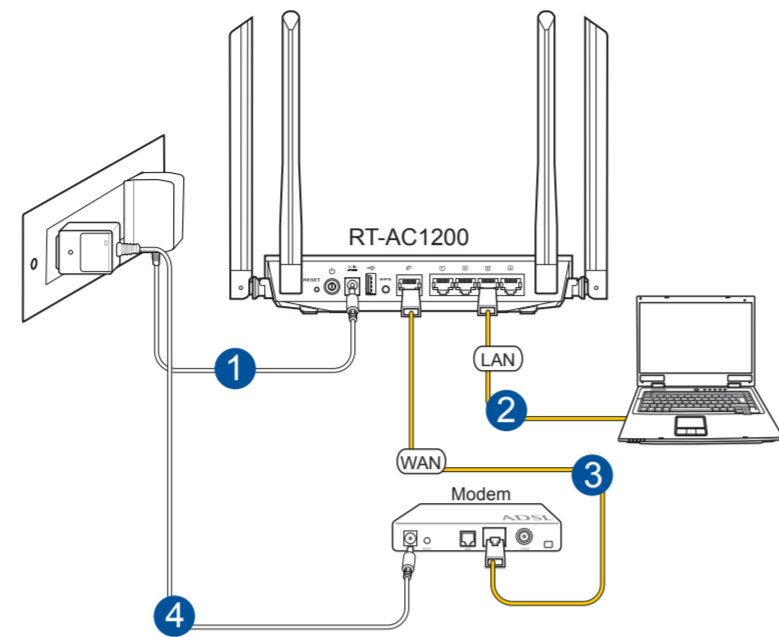


1) LAN 1-4 LED	5) Power LED	9) USB port
2) WAN (Internet) LED	6) Reset button	10) WPS button
3) USB LED	7) Power switch	11) WAN (Internet) port
4) 2.4GHz / 5GHz LED	8) Power (DC-IN) port	12) LAN 1-4 ports

CAUTION! DO NOT throw this product in municipal waste. This product has been designed to enable proper reuse of parts and recycling. This symbol of the crossed out wheeled bin indicates that the product (electrical and electronic equipment) should not be placed in municipal waste. Check local regulations for disposal of electronic products.

Setting up a Home Network - Router Mode

1. Connect your devices.



1. Insert your wireless router's AC adapter to the DC-IN port and plug it to a power outlet.
2. Using the bundled network cable, connect your computer to your wireless router's LAN port.
3. Using another network cable, connect your modem to your wireless router's WAN port.
4. Insert your modem's AC adapter to the DC-IN port and plug it to a power outlet.

IMPORTANT! Ensure that the WAN and LAN LEDs are blinking.

NOTE: Before you proceed, disconnect the wires/cables from your existing modem setup. After two minutes, reconnect the wires/cables.

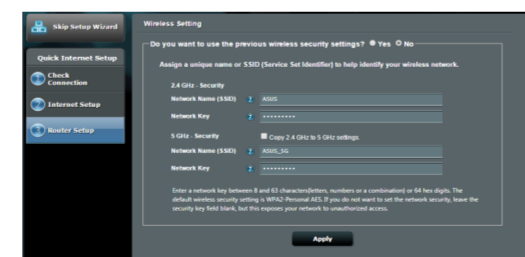
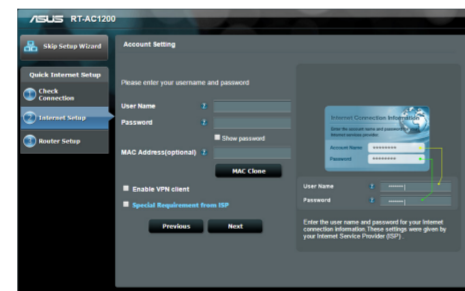
2. Launch the web browser and follow the Quick Internet Setup (QIS) steps.



for Automatic IP (DHCP)



for PPPoE, PPTP, and L2TP

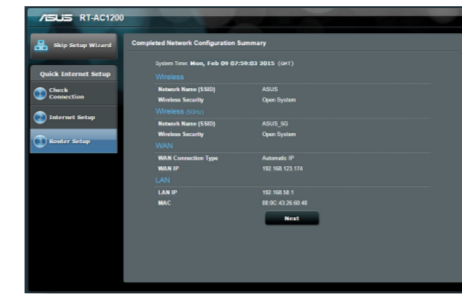


IMPORTANT! Obtain the necessary information from your ISP about the Internet connection type.

1. If the QIS web page does not appear after launching the web browser, disable the proxy settings on the web browser.
2. If QIS does not launch automatically, follow these steps to manually launch QIS:
 - On your web browser, key in <http://router.asus.com>. Use the default username **admin** and password **admin** to log into the user interface.
 - Click **Quick Internet Setup** on the left panel on the **Network Map** page.
 - The auto-detection of your ISP connection type takes place when you configure the wireless router for the first time or when your wireless router is reset to its default settings.

NOTE: To set up your router via wireless connection, please refer to the SSID and Password below. You can also find SSID and Password at the bottom of your router.

3. Setup complete.



- Italiano**
 1. Collegare le periferiche.
 2. Avviare il browser web e seguire la procedura QIS (Quick Internet Setup).
 3. La configurazione è stata completata.
- Deutsch**
 1. Schließen Sie Ihre Geräte an.
 2. Starten sie einen Web-Browser und folgen sie den Internet-Schnelleinstellungsschritten (QIS).
 3. Die Einrichtung ist fertig.
- Hrvatski**
 1. Spojite uređaje.
 2. Pokrenite web preglednik i slijedite korake za Quick Internet Setup (QIS) (Brzo podešavanje za internet).
 3. Podešavanje je dovršeno.
- Česky**
 1. Připojte zařízení.
 2. Spusťte webový prohlížeč a postupujte podle kroků Rychlého nastavení Internetu (QIS).
 3. Instalace je dokončena.
- Nederlands**
 1. Sluit uw apparaten aan.
 2. Start de webbrowser en volg de QIS-stappen (Quick Internet Setup (snelle internetinstelling)).
 3. De instelling is voltooid.
- Suomi**
 1. Kytke laitteet.
 2. Käynnistä verkkoselain ja noudata QIS-asennuksen vaiheita.
 3. Asennus on valmis.
- Magyar**
 1. Csatlakoztassa az eszközöket.
 2. Indítsa el a webböngészőt, és kövesse a gyors internetes beállítás (QIS) lépéseit.
 3. A beállítás befejeződött.
- Latviski**
 1. Savienojiet savas ierices.
 2. Palaidiet timekļa pārliuku un izpildiet Quick Internet Setup (Ātrās interneta palaišanas) (QIS) soļus.
 3. Iestatīšana ir pabeigta.
- Srpski**
 1. Povežite svoje uređaje.
 2. Pokrenite internet pregledač i pratite korake Uputstva za brzo podešavanje (QIS).
 3. Podešavanje je obavljeno.
- Polski**
 1. Podłącz swoje urządzenia.
 2. Uruchom przeglądarkę internetową i postępuj zgodnie z poleceniami Szybkiej konfiguracji Internetu (QIS).
 3. Konfiguracja została zakończona.
- Română**
 1. Conectați dispozitivele dvs.
 2. Lansați browser-ul web și urmați pașii de Conectare Rapidă la Internet (QIS).
 3. Conectarea este finalizată.
- Slovenščina**
 1. Priključite naprave.
 2. Zazenite internetni brskalnik in sledite navodilom QIS (hitra nastavitve interneta).
 3. Namestitve je dokončana.
- Українська**
 1. Підключіть пристрої.
 2. Запустіть браузер і дотримуйтесь інструкцій для Швидкого з'єднання з мережею Інтернет (QIS).
 3. Налаштування завершено.
- Español**
 1. Conecte sus dispositivos.
 2. Abra su explorador web y siga los pasos indicados por la función Quick Internet Setup rápida de Internet.
 3. Ha finalizado la configuración.
- Français**
 1. Connectez les périphériques.
 2. Lancez votre navigateur Web puis suivez les étapes du gestionnaire de configuration rapide d'Internet en ligne (QIS).
 3. La configuration est terminée.
- Bългарски**
 1. Свържете устройствата.
 2. Стартирайте уеб браузера и следвайте стъпките в Quick Internet Setup (QIS) (Бързи интернет настройки). Конфигурирането приключи.
- Dansk**
 1. Tilsit enhederne.
 2. Start webbrowseren og følg quick-internetopsætning (QIS) trinene.
 3. Opsætning fuldført.
- Eesti**
 1. Ühendage seadmed.
 2. Käivitage veebibrauser ja järgige viisardi Quick Internet Setup (Interneti-ühenduse kiirhäälestus (QIS)) samme.
 3. Häälestus on lõpule viidud.
- Ελληνικά**
 1. Συνδέστε τις συσκευές σας.
 2. Εκκινήστε το πρόγραμμα πλοήγησης στο διαδίκτυο και ακολουθήστε τα βήματα της Γρήγορης Εγκατάστασης Internet (QIS).
 3. Η εγκατάσταση έχει ολοκληρωθεί.
- Bosanski**
 1. Spojite uređaje.
 2. Pokrenite web pretraživač i pratite korake za Quick Internet Setup (QIS) (Brzo podešavanje za internet).
 3. Podešavanje je dovršeno.
- Lietuvių**
 1. Prijunkite prietaisus.
 2. Paleiskite interneto naršyklę ir vadovaukitės greitos internetinės sąrankos (QIS) nuorodomis.
 3. Sąranka baigta.
- Norsk**
 1. Koble til enhetene dine.
 2. Start nettleseren og følg trinnene til Quick Internet Setup (QIS) (Rask oppsett av Internet).
 3. Oppsettet er ferdig.
- Português**
 1. Ligue os dispositivos.
 2. Abra o browser da web e siga as instruções para configuração rápida da Internet.
 3. A configuração fica assim concluída.
- Slovensky**
 1. Pripojte svoje zariadenia.
 2. Spustite internetový prehliadač a postupujte podľa krokov Stručného návodu pre nastavenie internetu (QIS).
 3. Nastavenie je dokončené.
- Svenska**
 1. Anslut dina enheter.
 2. Öppna webbläsaren och följ stegen i QIS (snabb Internet-inställning).
 3. Inställningen slutförd.
- Türkçe**
 1. Aygıtlarınızı bağlayın.
 2. Web tarayıcınızı açın ve Quick Internet Setup (Hızlı İnternet Kurulumu) (QIS) adimlarını izleyin.
 3. Kurulum tamamlandı.

Using AiCloud

1. From Google Play Store or Apple Store, download and install the ASUS AiCloud app to your smart device.



2. Connect your smart device to your network. Follow the instructions to complete the AiCloud setup process.



Frequently Asked Questions (FAQs)

The client cannot establish a wireless connection with the router.

Out of Range:

- Put the router closer to the wireless client.
- Try to change the channel settings.

Authentication:

- Use wired connection to connect to the router.
- Check the wireless security settings.
- Press the Reset button at the rear panel for more than five seconds.

Cannot find the router:

- Press the Reset button at the rear panel for more than five seconds.
- Check the setting in the wireless adapter such as SSID and encryption settings.

You can find SSID and Password in the first page of this QSG or in the label at the bottom of the router.

Cannot access the Internet via wireless LAN adapter.

- Move the router closer to the wireless client.
- Check whether the wireless adapter is connected to the correct wireless router.
- Check whether the wireless channel in use conforms to the channels available in your country/area.
- Check the encryption settings.
- Check if the ADSL or Cable connection is correct.
- Retry using another Ethernet cable.

Network name or encryption keys are forgotten.

- Try setting up the wired connection and configuring the wireless encryption again.
- Press the Reset button of the wireless router for more than five seconds.
- Factory default settings:

User name / Password:	IP address:
admin / admin	router.asus.com

Where can I find more information about the wireless router?

- Online FAQ site: <http://support.asus.com/faq>
- Technical Support site: <http://support.asus.com>
- Customer Hotline: Refer to the Support Hotline in this Quick Start Guide

Notices

REACH

Complying with the REACH (Registration, Evaluation, Authorisation, and Restriction of Chemicals) regulatory framework, we published the chemical substances in our products at ASUS REACH website at <http://csr.asus.com/english/REACH.htm>.

Federal Communications Commission Statement

This device complies with Part 15 of the FCC Rules. Operation is subject to the following two conditions:

- This device may not cause harmful interference.
- This device must accept any interference received, including interference that may cause undesired operation.

This equipment has been tested and found to comply with the limits for a class B digital device, pursuant to part 15 of the FCC Rules. These limits are designed to provide reasonable protection against harmful interference in a residential installation.

This equipment generates, uses and can radiate radio frequency energy and, if not installed and used in accordance with the instructions, may cause harmful interference to radio communications. However, there is no guarantee that interference will not occur in a particular installation. If this equipment does cause harmful interference to radio or television reception, which can be determined by turning the equipment off and on, the user is encouraged to try to correct the interference by one or more of the following measures:

- Reorient or relocate the receiving antenna.
- Increase the separation between the equipment and receiver.
- Connect the equipment into an outlet on a circuit different from that to which the receiver is connected.
- Consult the dealer or an experienced radio/TV technician for help.

WARNING! Any changes or modifications not expressly approved by the party responsible for compliance could void the user's authority to operate the equipment.

Prohibition of Co-location

This device and its antenna(s) must not be co-located or operating in conjunction with any other antenna or transmitter.

Safety Information

To maintain compliance with FCC's RF exposure guidelines, this equipment should be installed and operated with

minimum distance 20cm between the radiator and your body. Use on the supplied antenna.

Declaration of Conformity for R&TTE directive 1999/5/EC

Essential requirements – Article 3

Protection requirements for health and safety – Article 3.1a

Testing for electric safety according to EN 60950-1 has been conducted. These are considered relevant and sufficient.

Protection requirements for electromagnetic compatibility – Article 3.1b

Testing for electromagnetic compatibility according to EN 301 489-1 and EN 301 489-17 has been conducted. These are considered relevant and sufficient.

Effective use of the radio spectrum – Article 3.2

Testing for radio test suites according to EN 300 328- 2 has been conducted. These are considered relevant and sufficient.



This equipment may be operated in AT, BE, CY, CZ, DK, EE, FI, FR, DE, GR, HU, IE, IT, LU, MT, NL, PL, PT, SK, SL, ES, SE, GB, IS, LI, NO, CH, BG, RO, TR.

Precautions for the use of the device

- Pay particular attention to the personal safety when use this device in airports, hospitals, gas stations and professional garages.
- Medical device interference: Maintain a minimum distance of at least 15 cm (6 inches) between implanted medical devices and ASUS products in order to reduce the risk of interference.
- Kindly use ASUS products in good reception conditions in order to minimize the radiation's level.
- Keep the device away from pregnant women and the lower abdomen of the teenager.

Précautions d'emploi de l'appareil

- Soyez particulièrement vigilant quant à votre sécurité lors de l'utilisation de cet appareil dans certains lieux (les avions, les aéroports, les hôpitaux, les stations-service et les garages professionnels).
- Évitez d'utiliser cet appareil à proximité de dispositifs médicaux implantés. Si vous portez un implant électronique (stimulateurs cardiaques, pompes à insuline, neurostimulateurs...), veuillez impérativement respecter une distance minimale de 15 centimètres entre cet appareil et votre corps pour réduire les risques d'interférence.
- Utilisez cet appareil dans de bonnes conditions de réception pour minimiser le niveau de rayonnement. Ce n'est pas toujours le cas dans certaines zones ou situations, notamment dans les parkings souterrains, dans les ascenseurs, en train ou en voiture ou tout simplement dans un secteur mal couvert par le réseau.
- Tenez cet appareil à distance des femmes enceintes et du bas-ventre des adolescents.

AEEE Yönetmeliğine Uygundur. IEEE Yönetmeliğine Uygundur.

- Bu Cihaz Türkiye analog şebekelerde çalışabilecek şekilde tasarlanmıştır.
- Cihazın ayrıntılı kurulum rehberi kutu içeriğinden çıkan CD içerisinde dir. Cihazın kullanıcı arayüzü Türkçe'dir.
- Cihazın kullanılması planlanan ülkelerde herhangi bir kısıtlaması yoktur. Ülkeler simgeler halinde kutu üzerinde belirtilmiştir.

Условия эксплуатации:

- Температура эксплуатации устройства: 0-40 °C. Не используйте устройство в условиях экстремально высоких или низких температур.
- Не размещайте устройство вблизи источников тепла, например, рядом с микроволновой печью, духовым шкафом или радиатором.
- Использование несовместимого или несертифицированного адаптера питания может привести к возгоранию, взрыву и прочим опасным последствиям.
- При подключении к сети электропитания устройство следует располагать близко к розетке, к ней должен осуществляться беспрепятственный доступ.
- Утилизация устройства осуществляется в соответствии с местными законами и положениями. Устройство по окончании срока службы должны быть переданы в сертифицированный пункт сбора для вторичной переработки или правильной утилизации.
- Данное устройство не предназначено для детей. Дети могут пользоваться устройством только в присутствии взрослых.
- Не выбрасывайте устройство и его комплектующие вместе с обычными бытовыми отходами.



Перелік режимів роботи для України:
2,4 ГГц; 802.11b, 802.11g, 802.11n (HT20), 802.11n (HT40), 5 ГГц; 802.11a, 802.11n (HT20), 802.11n (HT40), 802.11ac (VHT20), 802.11ac (VHT40), 802.11ac (VHT80).
Частота, режим і максимальна випромінювана потужність для України:
2412–2472 МГц; 19,98 дБм;
5180–5240 МГц; 19,98 дБм,
5260–5320 МГц; 19,98 дБм,
5500–5670 МГц; 19,98 дБм,
Пристрій призначено для використання тільки у приміщенні під час роботи в частотному діапазоні 5150–5350 МГц.



Networks Global Hotline Infomation

Region	Country/ Area	Hotline Numbers	Service Hours	
Europe	Cyprus	800-92491	09:00-13:00; 14:00-18:00 Mon-Fri	
	France	0033-170949400	09:00-18:00 Mon-Fri	
	Germany	0049-1805010920 0049-1805010923 (component support) 0049-2102959911 (Fax)	09:00-18:00 Mon-Fri 10:00-17:00 Mon-Fri	
	Hungary	0036-15054561	09:00-17:30 Mon-Fri	
	Italy	199-400089	09:00-13:00; 14:00-18:00 Mon-Fri	
	Greece	00800-44142044	09:00-13:00 ; 14:00-18:00 Mon-Fri	
	Austria	0043-820240513	09:00-18:00 Mon-Fri	
	Netherlands/ Luxembourg	0031-591570290	09:00-17:00 Mon-Fri	
	Belgium	0032-78150231	09:00-17:00 Mon-Fri	
	Norway	0047-2316-2682	09:00-18:00 Mon-Fri	
	Sweden	0046-858769407	09:00-18:00 Mon-Fri	
	Finland	00358-969379690	10:00-19:00 Mon-Fri	
	Denmark	0045-38322943	09:00-18:00 Mon-Fri	
	Poland	0048-225718040	08:30-17:30 Mon-Fri	
	Spain	0034-902889688	09:00-18:00 Mon-Fri	
	Portugal	00351-707500310	09:00-18:00 Mon-Fri	
	Slovak Republic	00421-232162621	08:00-17:00 Mon-Fri	
	Czech Republic	00420-596766888	08:00-17:00 Mon-Fri	
	Switzerland-German	0041-848111010	09:00-18:00 Mon-Fri	
Switzerland-French	0041-848111014	09:00-18:00 Mon-Fri		
Switzerland-Italian	0041-848111012	09:00-18:00 Mon-Fri		
United Kingdom	0044-1442265548	09:00-17:00 Mon-Fri		
Ireland	0035-31890719918	09:00-17:00 Mon-Fri		
Russia and CIS	008-800-100-ASUS	09:00-18:00 Mon-Fri		
Ukraine	0038-0445457727	09:00-18:00 Mon-Fri		
Australia	1300-278788	09:00-18:00 Mon-Fri		
New Zealand	0800-278788	09:00-18:00 Mon-Fri		
Asia-Pacific	Japan	0800-1232787 0081-570783886 (Non-Toll Free)	09:00-18:00 Mon-Fri 09:00-17:00 Sat-Sun	
	Korea	0082-215666868	09:30-17:00 Mon-Fri	
	Thailand	0066-24011717 1800-8525201	09:00-18:00 Mon-Fri	
	Singapore	0065-64157917 0065-67203835 (Repair Status Only)	11:00-19:00 Mon-Fri 11:00-13:00 Sat	
	Malaysia	1300-88-3495	10:00-19:00 Mon-Fri	
	Philippines	1800-18550163	09:00-18:00 Mon-Fri	
	India	1800-2090365	09:00-18:00 Mon-Sat	
	India(WL/NW)	1800-2090365	09:00-21:00 Mon-Sun	
	Indonesia	0062-212949500 500128 (Local Only)	09:30-17:00 Mon-Fri 9:30 – 12:00 Sat	
	Vietnam	1900-555581	08:00-12:00 13:30-17:30 Mon-Sat	
	Hong Kong	00852-35824770	10:00-19:00 Mon-Sat	
	Taiwan	0800-093-456; 02-81439000	9:00-12:00 Mon-Fri; 13:30-18:00 Mon-Fri	
	USA	1-812-282-2787	8:30-12:00 EST Mon-Fri 9:00-18:00 EST Sat-Sun	
	Canada	1-812-282-2787	8:30-12:00 EST Mon-Fri 9:00-18:00 EST Sat-Sun	
	Americas	Mexico	001-8008367847 4003 0988 (Capital)	08:00-20:00 CST Mon-Fri 08:00-15:00 CST Sat
		Brazil	0800 880 0988 (demaís localidades)	9:00am-18:00 Mon-Fri
		Egypt	800-2787349	09:00-18:00 Sun-Thu
	Middle East + Africa	Saudi Arabia	800-1212787	09:00-18:00 Sat-Wed
		UAE	00971-42958941	09:00-18:00 Sun-Thu
Turkey		0090-2165243000	09:00-18:00 Mon-Fri	
South Africa		0861-278772	08:00-17:00 Mon-Fri	
Israel		*6557/00972-39142800 *9770/00972-35598555	08:00-17:00 Sun-Thu 08:30-17:30 Sun-Thu	
Romania		0040-213301786	09:00-18:30 Mon-Fri	
Bosnia Herzegovina		00387-33773163	09:00-17:00 Mon-Fri	
Balkan Countries	Bulgaria	00359-70014411	09:30-18:30 Mon-Fri	
	Bulgaria	00359-29889170	09:30-18:00 Mon-Fri	
	Croatia	00385-16401111	09:00-17:00 Mon-Fri	
	Montenegro	00382-20608251	09:00-17:00 Mon-Fri	
	Serbia	00381-112070677	09:00-17:00 Mon-Fri	
	Slovenia	00368-59045400 00368-59045401	08:00-16:00 Mon-Fri	
	Estonia	00372-6671796	09:00-18:00 Mon-Fri	
Baltic Countries	Latvia	00371-67408838	09:00-18:00 Mon-Fri	
	Lithuania-Kaunas	00370-37329000	09:00-18:00 Mon-Fri	
	Lithuania-Vilnius	00370-522101160	09:00-18:00 Mon-Fri	



NOTES

- UK support e-mail: network_support_uk@asus.com
- For more information, visit the ASUS support site at: <http://support.asus.com>

Support Hotline

USA/ CANADA	BRAZIL
Hotline Number: 1-812-282-2787 Language: English Availability: Mon. to Fri. 8:30-12:00am EST (5:30am-9:00pm PST) Sat. to Sun. 9:00am-6:00pm EST (6:00am-3:00pm PST)	Hotline Number: 4003 0988 (Capital) / 0800 880 0988 (demaís localidades) Language: Portuguese Availability: Mon. to Fri. 9:00am-18:00 United Kingdom Hotline Number: 44-1442265548

Manufacturer	ASUSTeK Computer Inc. Tel: +886-2-2894-3447 Address: 4F, No. 150, LI-TE RD., PEITOU, TAIPEI 112, TAIWAN
Authorised representative in Europe	ASUS Computer GmbH Address: HARKORT STR. 21-23, 40880 RATINGEN, GERMANY
Authorised distributors in Turkey	BOGAZICI BILGISAYAR TICARET VE SANAYI A.S. Tel./FAX No.: +90 212 331 10 00 / +90 212 332 28 90 Address: ESENTEPE MAH. BUYUKDERE CAD. ERCAN HAN B BLOK NO.121 SISLI, ISTANBUL 34394 CIZGI Elektronik San. Tic. Ltd. Sti. Tel./FAX No.: +90 212 356 70 70 / +90 212 356 70 69 Address: GURSEL MAH. AKMAN SK.47B 1 KAGITHANE/ISTANBUL KOYUNCU ELEKTRONIK BILGI ISLEM SIST. SAN. VE DIS TIC. A.S. Tel. No.: +90 216 5288888 Address: EMEK MAH.ORDU CAD. NO:18, SARIGAZI, SANCAKTEPE ISTANBUL ENDEKS BİLİŞİM SAN VE DİŞ TİC LTD ŞTİ Tel./FAX No.: +90 216 523 35 70 / +90 216 523 35 71 Address: NECİP FAZIL BULVARI, KEYAP CARSİ SİTESİ, G1 BLOK, NO:115 Y.DUDULLU, UMRANIYE, İSTANBUL PENTA TEKNOLOJİ URUNLERİ DAGITIM TICARET A.S Tel./FAX No.: +90 216 528 0000 Address: ORGANİZE SANAYİ BÖLGESİ NATO YOLU 4.CADDE NO:1 UMRANIYE, İSTANBUL 34775

English

CE statement

Simplified EU Declaration of Conformity

ASUSTek Computer Inc. hereby declares that this device is in compliance with the essential requirements and other relevant provisions of Directive 2014/53/EU. Full text of EU declaration of conformity is available at https://www.asus.com/Networking/RT-AC52U-B1/HelpDesk_Declaration/.

Declaration of Conformity for Ecodesign directive 2009/125/EC

Testing for eco-design requirements according to (EC) No 1275/2008 and (EU) No 801/2013 has been conducted. When the device is in Networked Standby Mode, its I/O and network interface are in sleep mode and may not work properly. To wake up the device, press the Wi-Fi on/off, LED on/off, reset, or WPS button.

This equipment complies with EU radiation exposure limits set forth for an uncontrolled environment. This equipment should be installed and operated with minimum distance 5mm between the radiator & your body.

All operational modes:

2.4GHz: 802.11b, 802.11g, 802.11n (HT20), 802.11n (HT40), 802.11ac (VHT20), 802.11ac (VHT40)

5GHz: 802.11a, 802.11n (HT20), 802.11n (HT40), 802.11ac (VHT20), 802.11ac (VHT40), 802.11ac (VHT80)

The frequency, mode and the maximum transmitted power in EU are listed below:

2412-2472MHz (802.11g 6 Mbps): 20.99 dBm

5180-5240MHz (802.11ac VHT20): 26.40 dBm

5260-5320MHz (802.11ac VHT40): 25.83 dBm

5500-5700MHz (802.11ac VHT80): 24.79 dBm

The device is restricted to indoor use only when operating in the 5150 to 5350 MHz frequency range.

The adapter shall be installed near the equipment and shall be easily accessible.

	AT	BE	BG	CZ	DK	EE	FR
	DE	IS	IE	IT	EL	ES	CY
	LV	LI	LT	LU	HU	MT	UK
	NO	PL	PT	RO	SI	SK	TR
	FI	SE	CH	UK	HR	UA	

Safety Notices

- Use this product in environments with ambient temperatures between 0°C(32°F) and 40°C(104°F).
- Refer to the rating label on the bottom of your product and ensure your power adapter complies with this rating.
- DO NOT place on uneven or unstable work surfaces. Shock servicing if the casing has been damaged.
- DO NOT place or drop objects on top and do not shove any foreign objects into the product.
- DO NOT expose to or use near liquids, rain, or moisture. DO NOT use the modem during electrical storms.
- DO NOT cover the vents on the product to prevent the system from getting overheated.
- DO NOT use damaged power cords, accessories, or other peripherals.
- If the Adapter is broken, do not try to fix it by yourself. Contact a qualified service technician or your retailer.
- To prevent electrical shock hazard, disconnect the power cable from the electrical outlet before relocating the system.