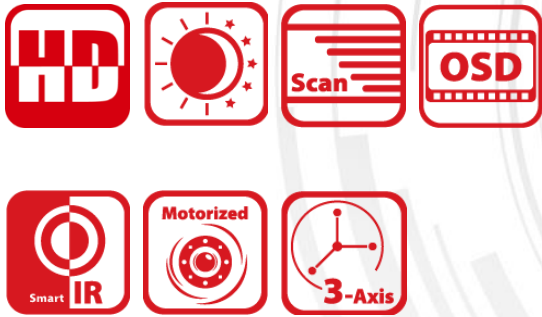


## DS-2CE56H1T-(A)VPIT3Z 5 MP VF Dome Camera



### Key Features

- 5 MP high-performance CMOS
- 2560 × 1944 resolution
- 2.8 mm to 12 mm motorized vari-focal lens
- EXIR 2.0, Smart IR, up to 40 m IR distance
- OSD menu, DNR, DWDR
- IP67, IK10
- Up the Coax (HIKVISION-C)



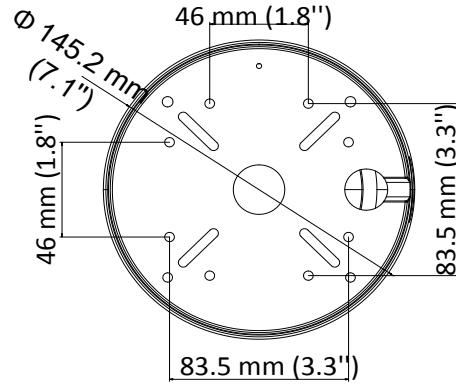
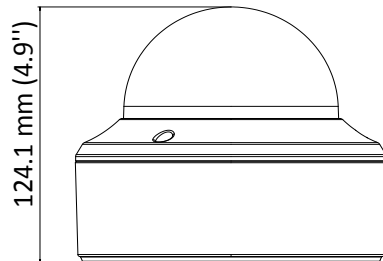
## Specification

<b>Camera</b>	
Image Sensor	5 MP CMOS image sensor
Resolution	2560 (H) × 1944 (V)
Min. illumination	Color: 0.01 Lux @ (F1.2, AGC ON), 0 Lux with IR
Shutter Time	PAL: 1/25 s to 1/50, 000 s NTSC: 1/30 s to 1/50, 000 s
Lens	2.8 mm to 12 mm motorized vari-focal lens
Horizontal Field of View	90.4° to 28°
Lens Mount	Φ14
Day & Night	IR cut filter
Angle Adjustment	Pan: 0° to 355°; Tilt: 0° to 75°; Rotate: 0° to 355°
Synchronization	Internal synchronization
Frame Rate	2560 × 1944@20fps, 2560 × 1944@12.5fps 2560 × 1440@30fps, 2560 × 1440@25fps (default) 1920 × 1080@30fps, 1920 × 1080@25fps
<b>Menu</b>	
AGC	Support
D/N Mode	Auto/Color/BW (Black and White)
White Balance	ATW/MWB
BLC	Support
DWDR (Digital Wide Dynamic Range)	Support
Language	English, Chinese
Functions	Brightness, Sharpness, DNR, Mirror, Smart IR
<b>Interface</b>	
Video Output	1 HD analog output
<b>General</b>	
Operating Conditions	-40 °C to 60 °C (-40 °F to 140 °F), humidity: 90% or less (non-condensation)
Power Supply	12 VDC ±25% -A: 12 VDC ±25%, 24 VAC ±25%
Power Consumption	Max. 4.5 W -A: Max. 6.5 W
Protection Level	IP67, IK10
Material	Metal
IR Range	Up to 40 m
Communication	Up the coax, Protocol: HIKVISION-C (TVI output)
Dimensions	Φ 145.2 mm × 124.1 mm (Φ 5.72" × 4.89")
Weight	Approx. 1600 g (3.53 lb.)

**Order Models**

DS-2CE56H1T-VPIT3Z, DS-2CE56H1T-AVPIT3Z

**Dimension**



**Accessory**



DS-1273ZJ-140  
Wall Mounting Bracket



DS-1275ZJ-SUS  
Vertical Pole Mounting Bracket



DS-1276ZJ-SUS  
Corner Mounting Bracket



DS-1271ZJ-140  
Pendant Mounting Bracket



DS-1273ZJ-140B  
Wall Mounting Bracket

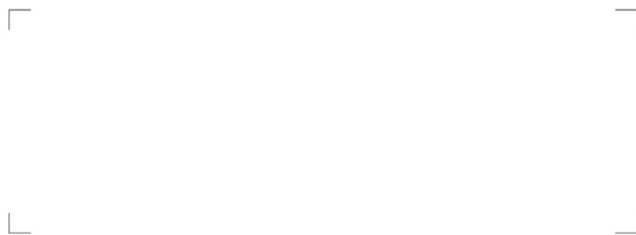


DS-1241ZJ  
In-ceiling Mounting Bracket



DS-1240ZJ  
Inclined Ceiling Mounting Bracket

Distributed by



**HIKVISION**

**Headquarters**  
No.555 Qianmo Road, Binjiang District,  
Hangzhou 310051, China  
T +86-571-8807-5998  
overseasbusiness@hikvision.com

**Hikvision USA**  
T +1-909-895-0400  
sales.usa@hikvision.com

**Hikvision Europe**  
T +31-23-55-42-770  
info.eu@hikvision.com

**Hikvision Middle East**  
T +971-4-8816086  
salesme@hikvision.com

**Hikvision Russia**  
T +7-495-669-67-99  
saleru@hikvision.com

**Hikvision India**  
T +91-22-28469900  
sales@pramahikvision.com

**Hikvision Italy**  
T +39-0438-6902  
info.it@hikvision.com

**Hikvision France**  
T +33(0)1-85-330-450  
info.fr@hikvision.com

**Hikvision Spain**  
T +34-91-737-16-55  
info.es@hikvision.com

**Hikvision Poland**  
T +48-22-460-01-50  
poland@hikvision.com

**Hikvision UK**  
T +01628-902140  
support.uk@hikvision.com

**Hikvision Singapore**  
T +65-6684-4718  
sg@hikvision.com

**Hikvision Oceania**  
T +61-2-8599-4233  
salesau@hikvision.com

**Hikvision Canada**  
T +1-909-895-0400  
sales.usa@hikvision.com

**Hikvision Korea**  
T +82-31-731-8841  
sales.korea@hikvision.com

**Hikvision Brazil**  
T +55 11 3318-0050  
Latam.support@hikvision.com

**Hikvision Africa**  
T +27 (0) 0351172  
sale.africa@hikvision.com

**Hikvision Hong Kong**  
T +852-2151-1761