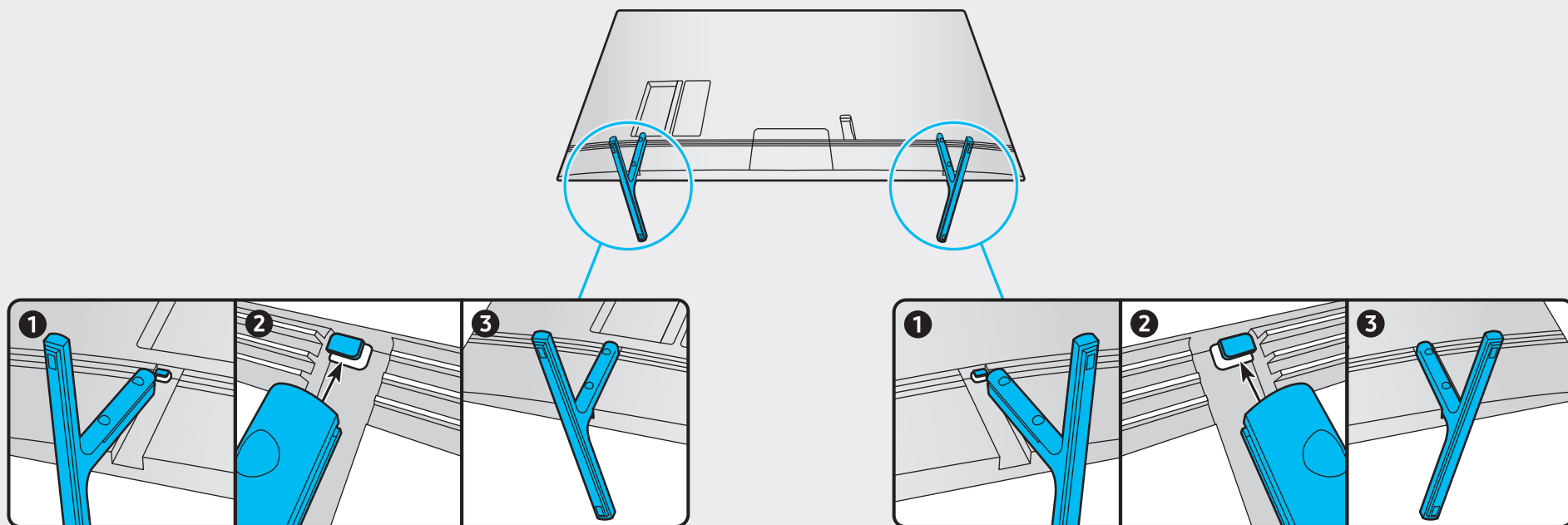
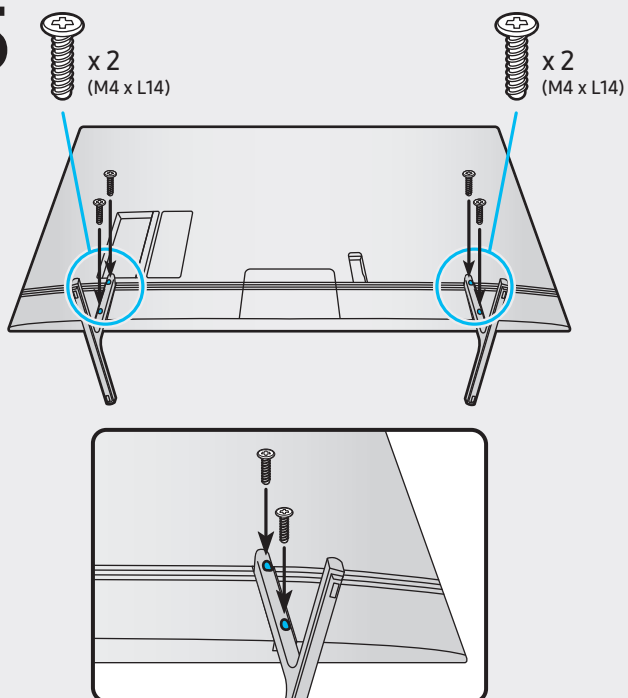


4



5

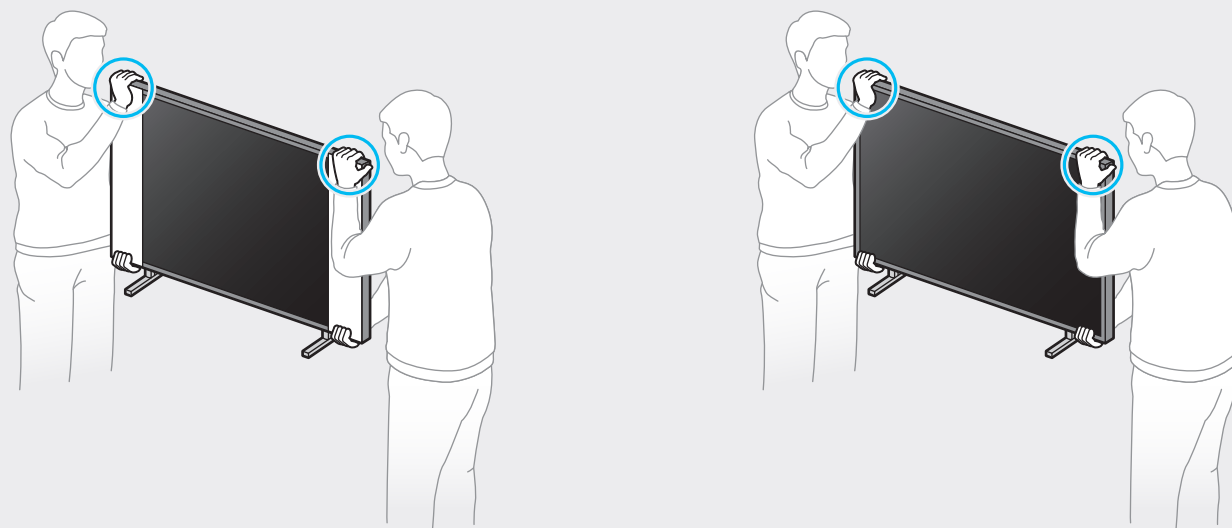


6

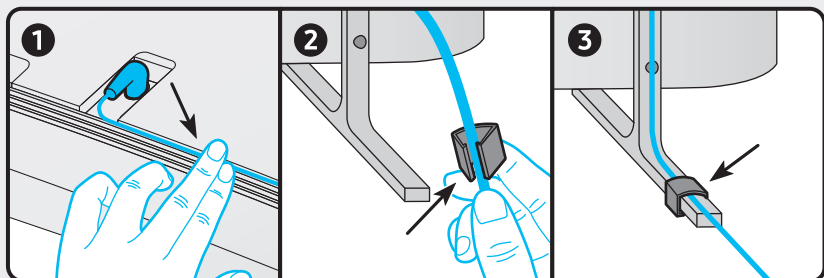
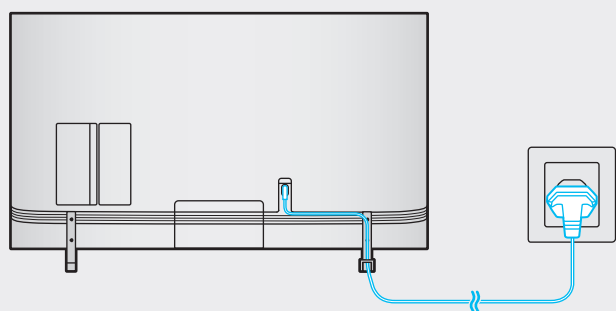
49"-55"



65"-75"



7

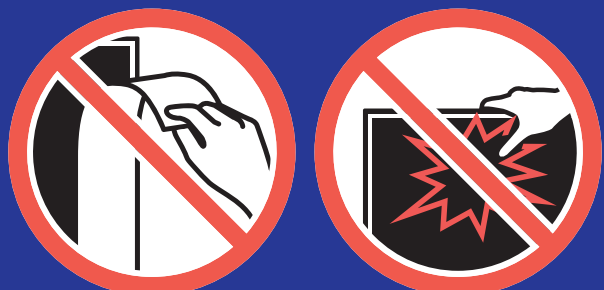


SAMSUNG

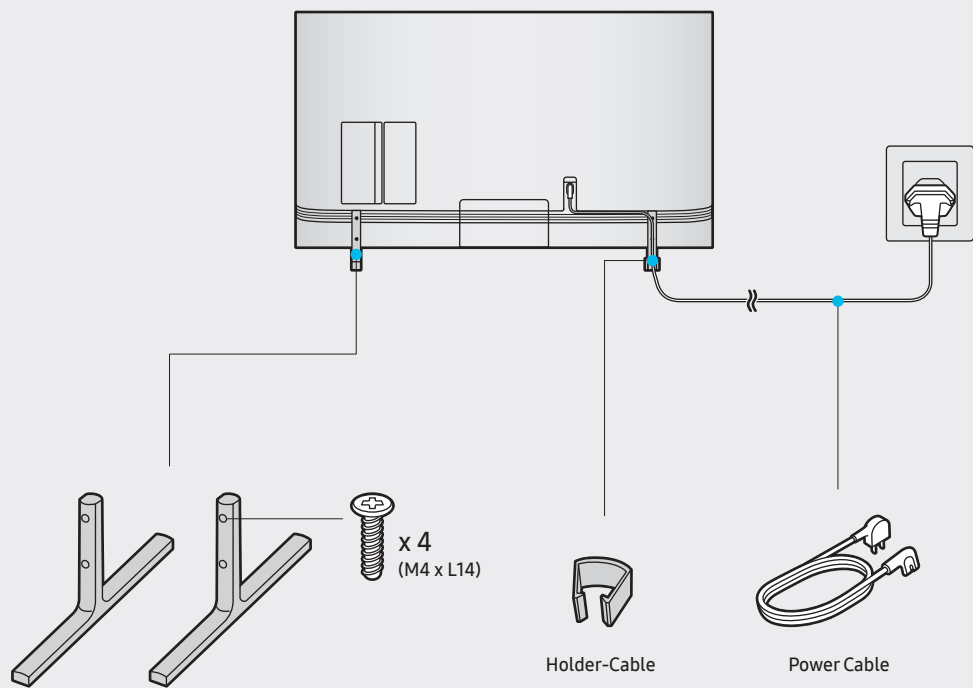
# QUICK SETUP GUIDE



Scan this QR code with your smart phone to see helpful videos.



For Wall Mount  
x 4  
Wall Mount Adapter



x 4  
(M4 x L14)

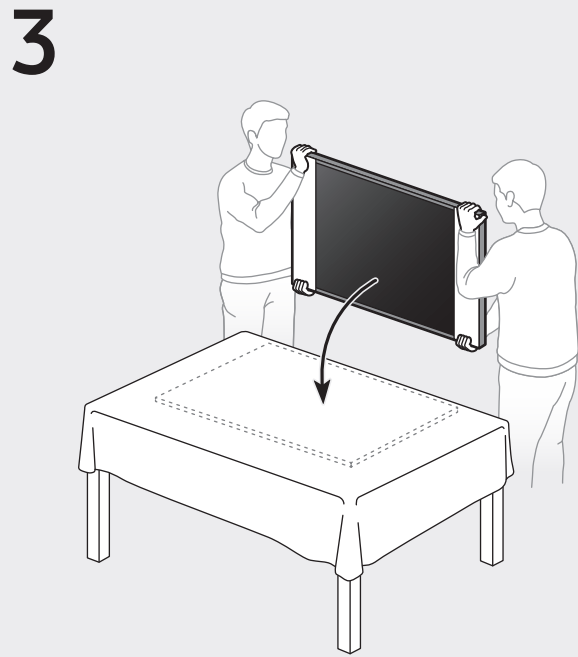
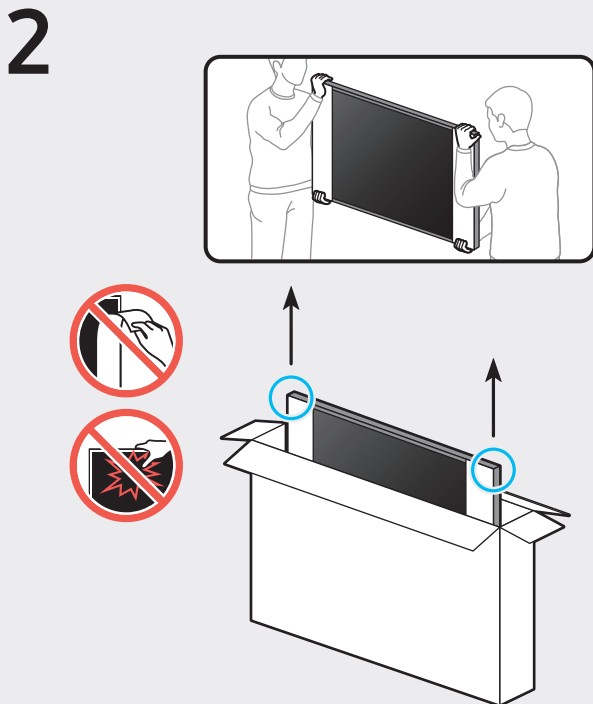
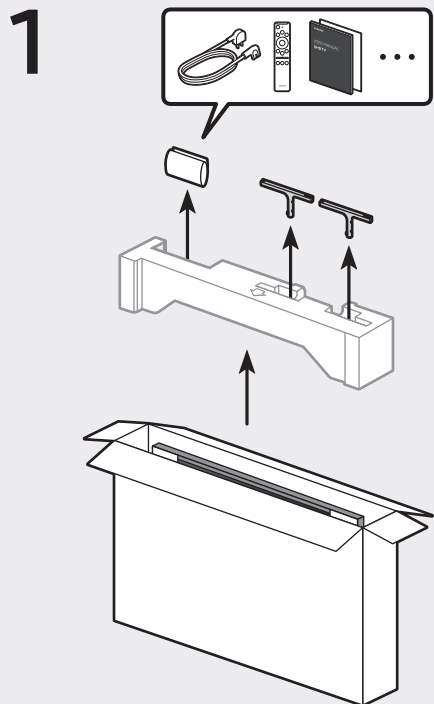
Holder-Cable

Power Cable

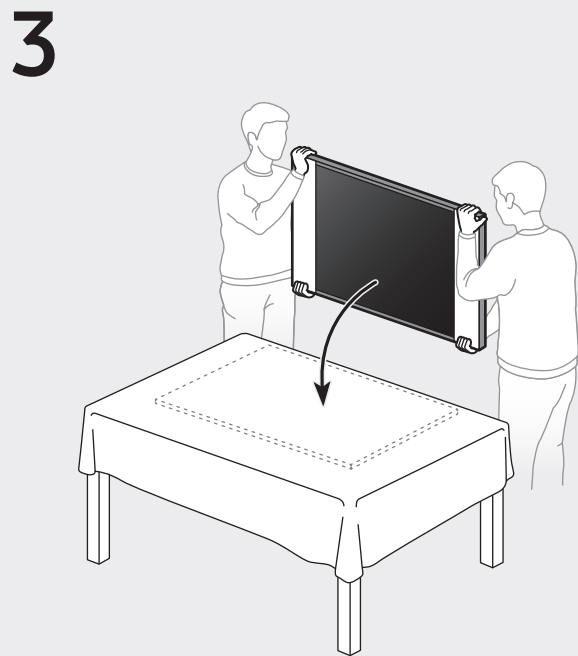
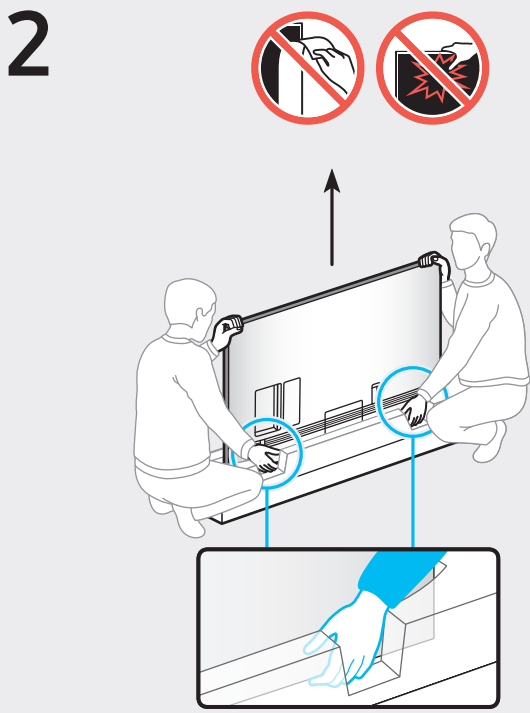
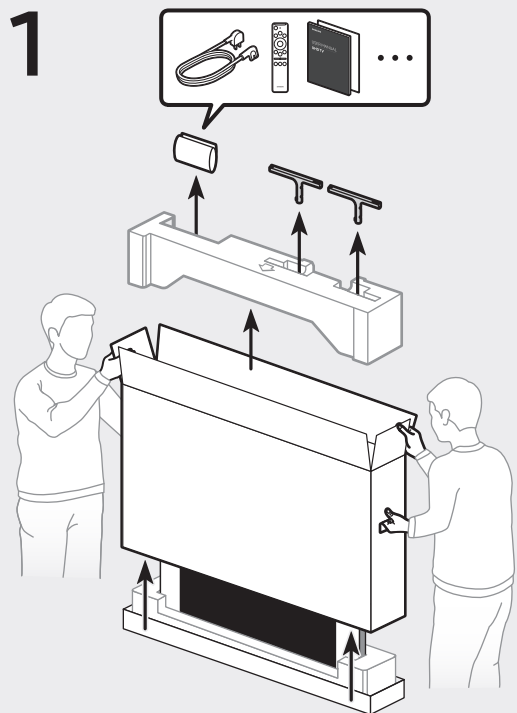
Samsung Smart Remote /  
Batteries (AA x 2)

User Manual /  
Regulatory Guide

49"



55"



65"  
-  
75"

