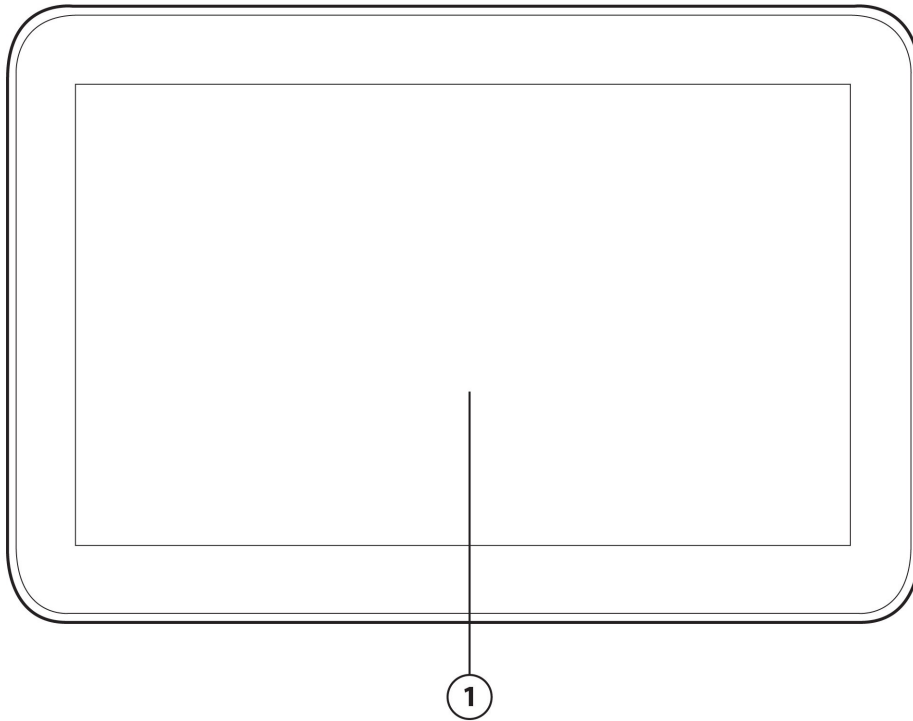
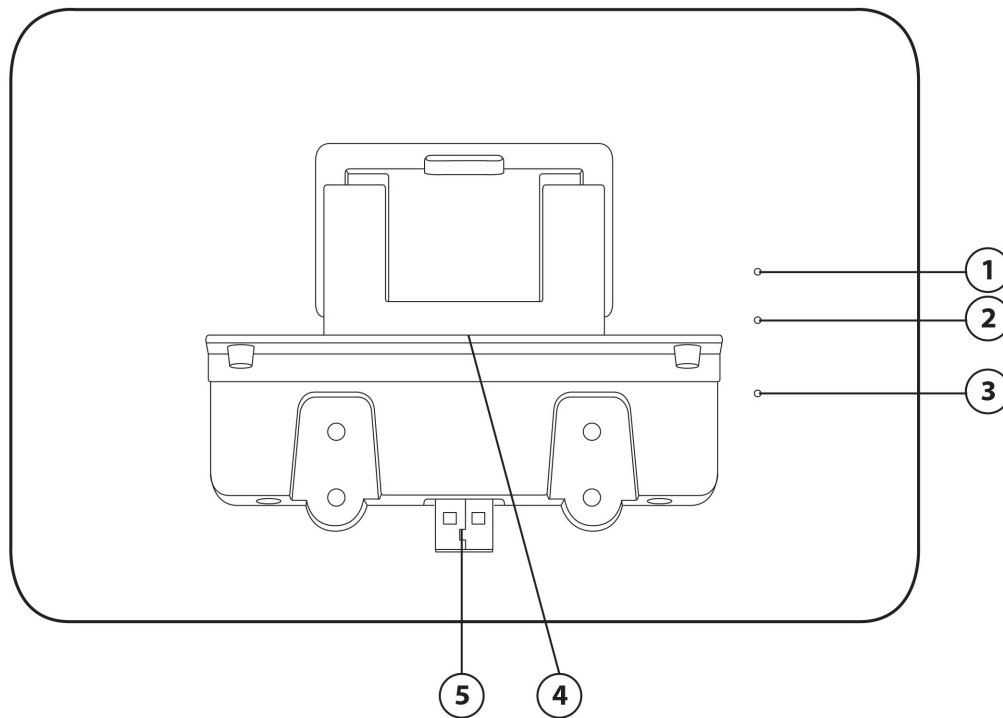


Overview



1. 7-inch diagonal LCD display

Overview



1. Increases Brightness
2. Decreases Brightness
3. Turns Power On and Off
4. Integrated Display Bezel Bracket
5. USB Connection

Models

HP Retail Integrated 7-inch CFD

F7A92AA

Introduction

Give customers a clear view of their transactions and share dynamic content at the point-of-sale with this 7-inch diagonal LCD display. Integrates easily into your retail solution adding video content and graphics to improve the customer experience.

Overview

Key Benefits

- Give customers a clear view of their transactions
 - Share engaging, colorful, dynamic content at the point-of-sale
 - Integrates easily into your retail solution
 - The USB bezel connector powers the CFD and eliminates the need for additional cabling
 - The edge-to-edge, bezel-less design is easy to clean, helps provide protection from dust, and creates a sleek, modern appearance.
-

Compatibility

The HP Retail Integrated 7-inch CFD is compatible with the HP RP7 Retail Systems model 7100 and 7800, and HP L6015tm and HP L6017tm Retail Touch monitors.

NOTE: Not all HP Retail system models are available in all regions.

Service and Support

Your HP Peripheral Limited Warranty is a three (3) year (HP Option Limited Warranty Period) parts replacement warranty. Additional HP Care Pack Services options are available to extend warranty coverage.

Technical Specifications

General	Display Type	LCD, backlit LED
	Resolution	1024x600 (fixed)
	Dot Pitch	0.05(W) × 0.15(H) mm
	Active area	153.6(W) × 90.0(H) mm
	Contrast ratio	700:1 (max)
	Brightness	250 cd/m ²
	Response rate	Response rate 30ms (rise+fall time)
	Viewing Angle (of LCD Panel)	Left: 75°, Right: 75°, Top: 70°, Bottom: 75°
	Color Gamut	70% (CIE 1931 Standard NTSC)
Mechanical	Dimensions (WxDxH)	185 x 53.5 x 125 (mm)
	Weight	0.69KG (CFD only)
	Adjustability	Tilt Range of Motion - 293°
	Color	HP Black
Interface/Connection	Interface	USB (mounted to the top display USB port only)
Power	Operating Voltage	5V
	Full Load Current	2.5W(DC +5V , 500mA)
	Idle Current	0.64W (DC+5V , 128mA)
	Temperature Range	Operating
Non-operating		-22° to 149° F (-30° to 65° C) at 5% to 90% humidity (non-condensing at ambient)
Drivers	Windows	
Operating System Compatibility	Windows	
		<ul style="list-style-type: none">• Windows Industry 8/8.1 32 and 64 bit• Windows 8/8.1 Professional 32bit & 64bit• Windows 7 Professional 32 and 64-bit• Windows Embedded POSReady 7 32 and 64-bit• Windows Embedded POSReady 2009• Windows XP Professional
Option kit contents	HP Retail Integrated 7-inch CFD, HP Point of Sale System Software and Documentation CD	

© Copyright 2014 Hewlett-Packard Development Company, L.P. The information contained herein is subject to change without notice. The only warranties for HP products and services are set forth in the express warranty statements accompanying such products and services. Nothing herein should be construed as constituting an additional warranty. HP shall not be liable for technical or editorial errors or omissions contained herein. Microsoft, Windows, Windows XP and Windows Vista are trademarks of the Microsoft group of companies.