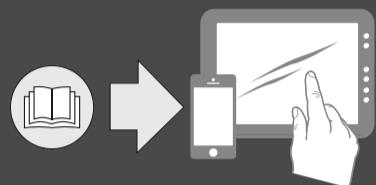




# ew 100 P G4 ew 500 P G4

- Quick Guide
- Kurzanleitung
- Guide rapide
- Guida rapida
- Guía de inicio rápido
- Guia rápido
- Beknopte handleiding
- Krótka instrukcja obsługi
- Snabbguide
- Kort vejledning
- Pikaohje
- Γρήγορος οδηγός
- Kısa Kılavuz
- Краткая инструкция
- 快速指南
- 快速使用指南
- クイックガイド
- 퀵 가이드

SENNHEISER



Sennheiser Documentation App



or online at  
[www.sennheiser.com/download](http://www.sennheiser.com/download)

ew 100 P G4  
ew 500 P G4

Sennheiser electronic GmbH & Co. KG

Am Labor 1, 30900 Wedemark, Germany  
[www.sennheiser.com](http://www.sennheiser.com)

Publ. 01/18, 575862/A01

EK 100



SKP 100

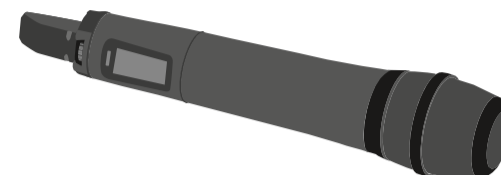


SK 100/SKM 100

SK 100



SKM 100



EK 500



SKP 500

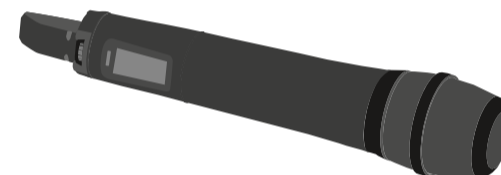


SK 500/SKM 500

SK 500



SKM 500

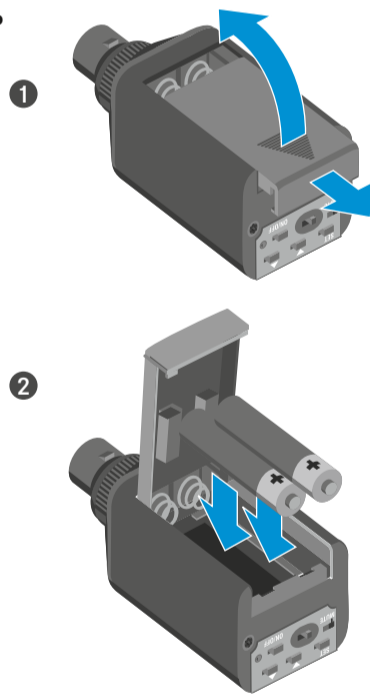


## Battery

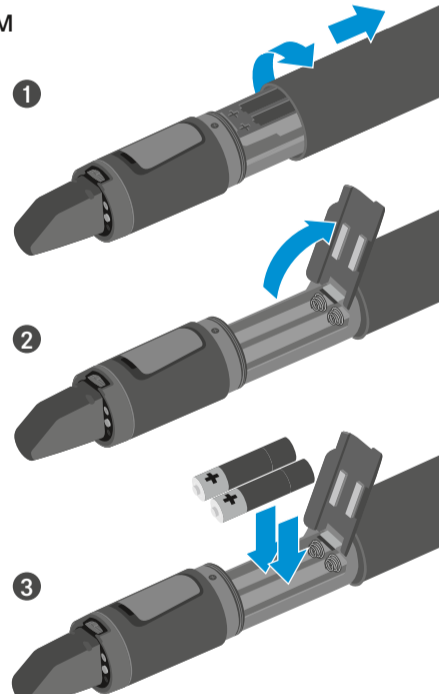
EK/SK



SKP



SKM



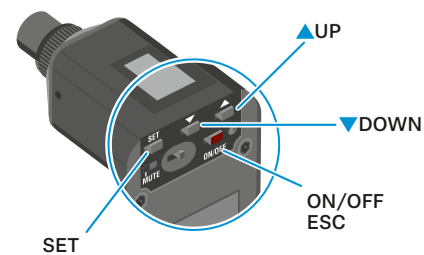
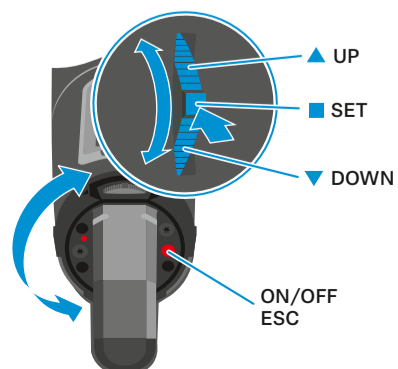
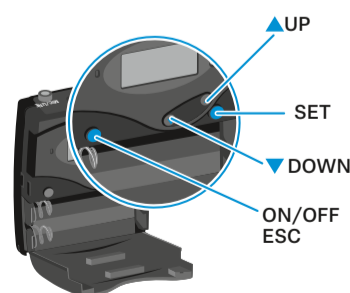
## On/Off

	EK	SK/SK/SKP	
short	on	on	
long	-	on + RF Mute	
long	off	off	

## Battery

	100 %	> 8 h
	70 %	4 - 6 h
	30 %	2 - 3 h
	LOW BATT	

## Menu



EK 100

Main menu "Menu"	"Easy Setup"	Extended menu "Advanced Menu"
Sync	Reset List	Tune
Squelch	Current List	Pilot Tone
Easy Setup	Scan New List	LCD Contrast
Frequency Preset	Exit	Reset
Name		Software Revision
AF Out		Exit
Auto Lock		
Advanced		
Exit		

SK/SKM/SKP 100

Main menu "Menu"	Extended menu "Advanced Menu"
Sensitivity	Tune
Frequency Preset	Mute Mode (SK/SKP)
Name	RF Power
Auto Lock	Cable Emulation (SK)
Advanced	Pilot Tone
Exit	LCD Contrast
	Reset
	Software Revision
	Exit

EK 500

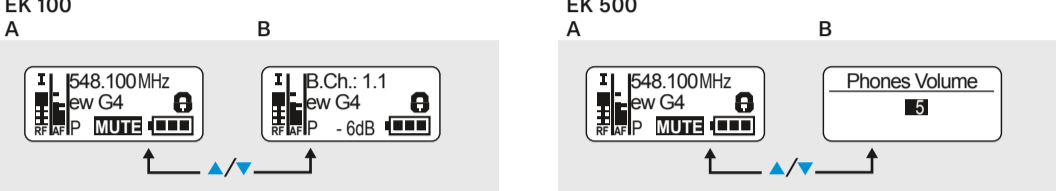
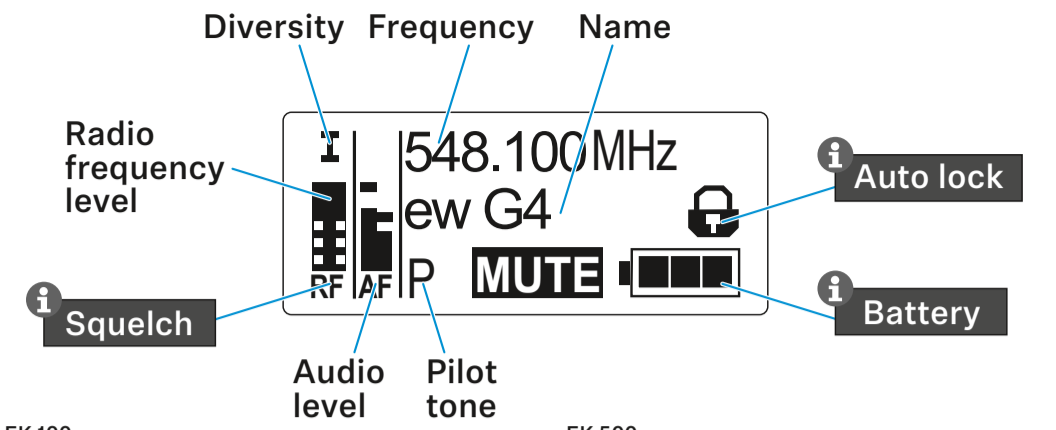
Main menu "Menu"	"Easy Setup"	Extended menu "Advanced Menu"
Sync	Reset List	Tune
Phones Volume	Current List	Sync Settings
Squelch	Scan New List	Pilot Tone
Easy Setup	Exit	LCD Contrast
Frequency Preset		Reset
Name		Software Revision
AF Out		Exit
Equalizer		
Auto Lock		
Advanced		
Exit		

SK/SKM/SKP 500

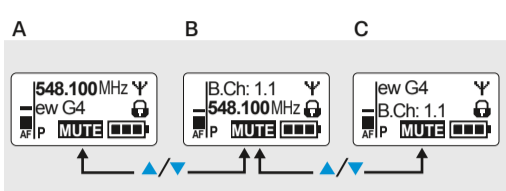
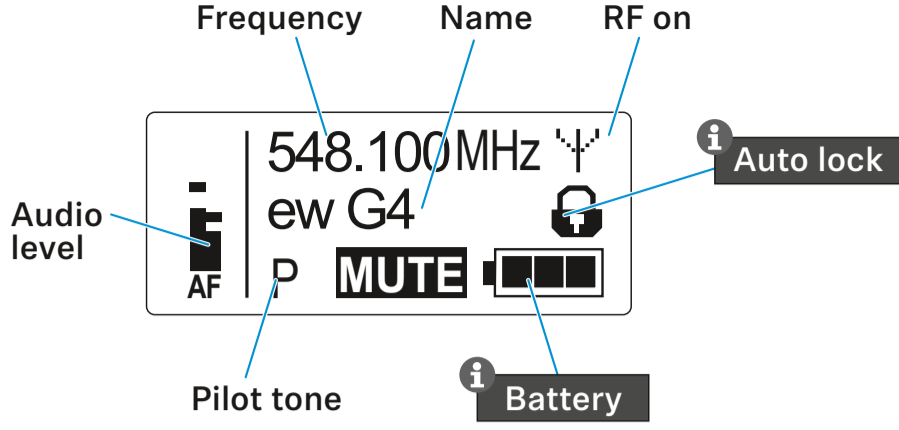
Main menu "Menu"	Extended menu "Advanced Menu"
Sensitivity	Tune
Frequency Preset	Mute Mode (SK/SKP)
Name	RF Power
Auto Lock	Cable Emulation (SK)
Advanced	Phantom Power 48 V (SKP)
Exit	Pilot Tone
	LCD Contrast
	Reset
	Software Revision
	Exit

Display

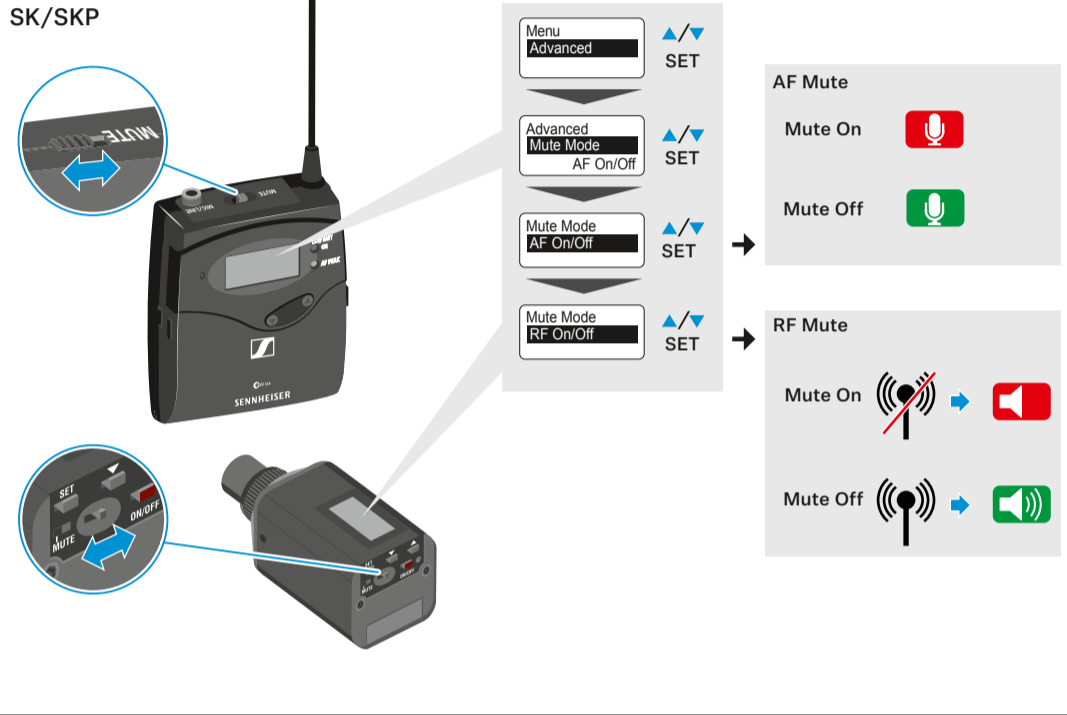
EK



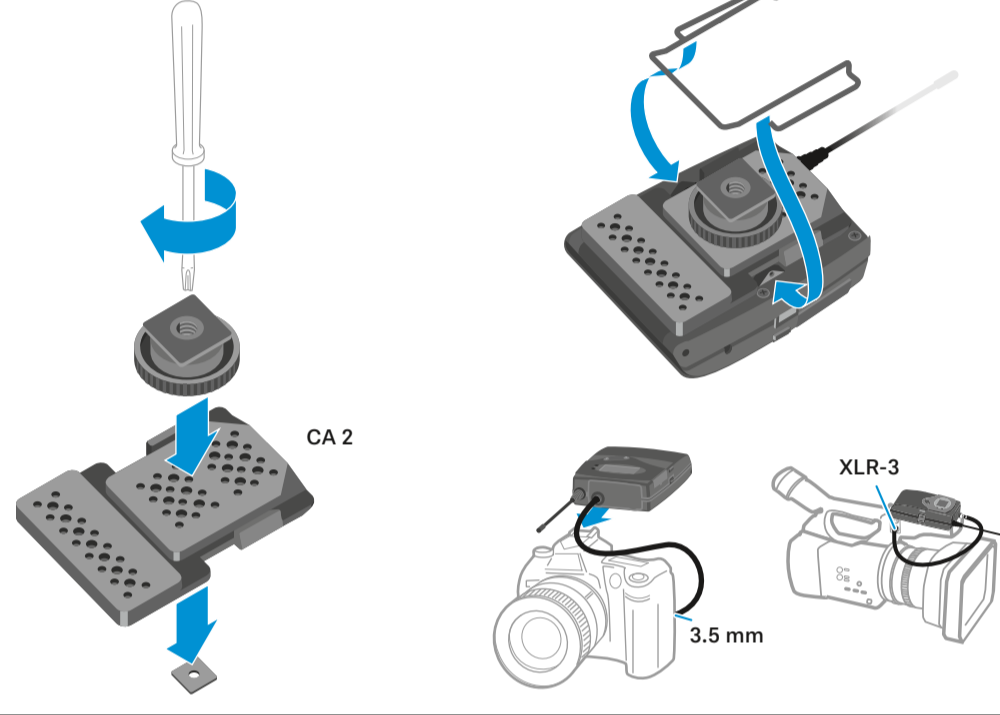
SK/SKP/SKM



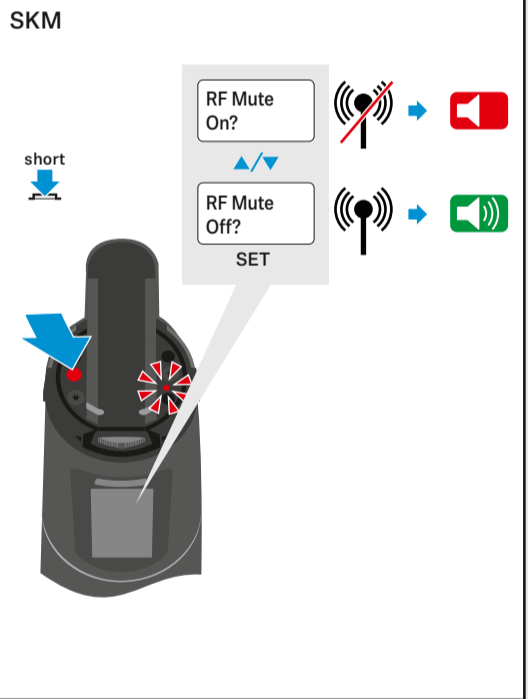
Mute



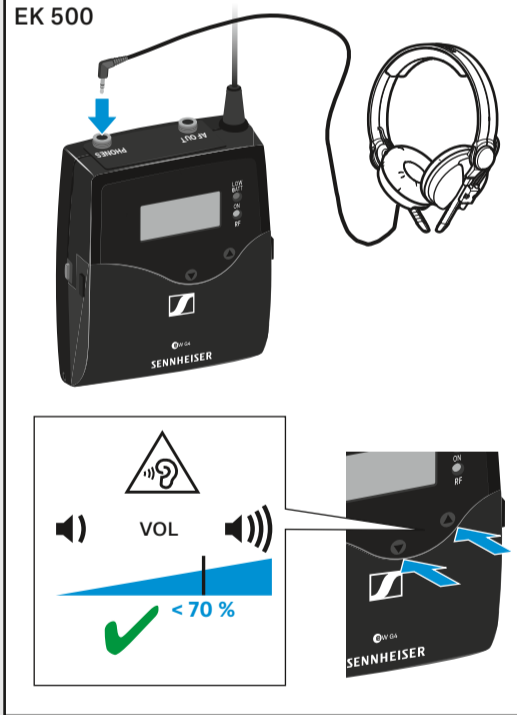
Camera adapter CA 2



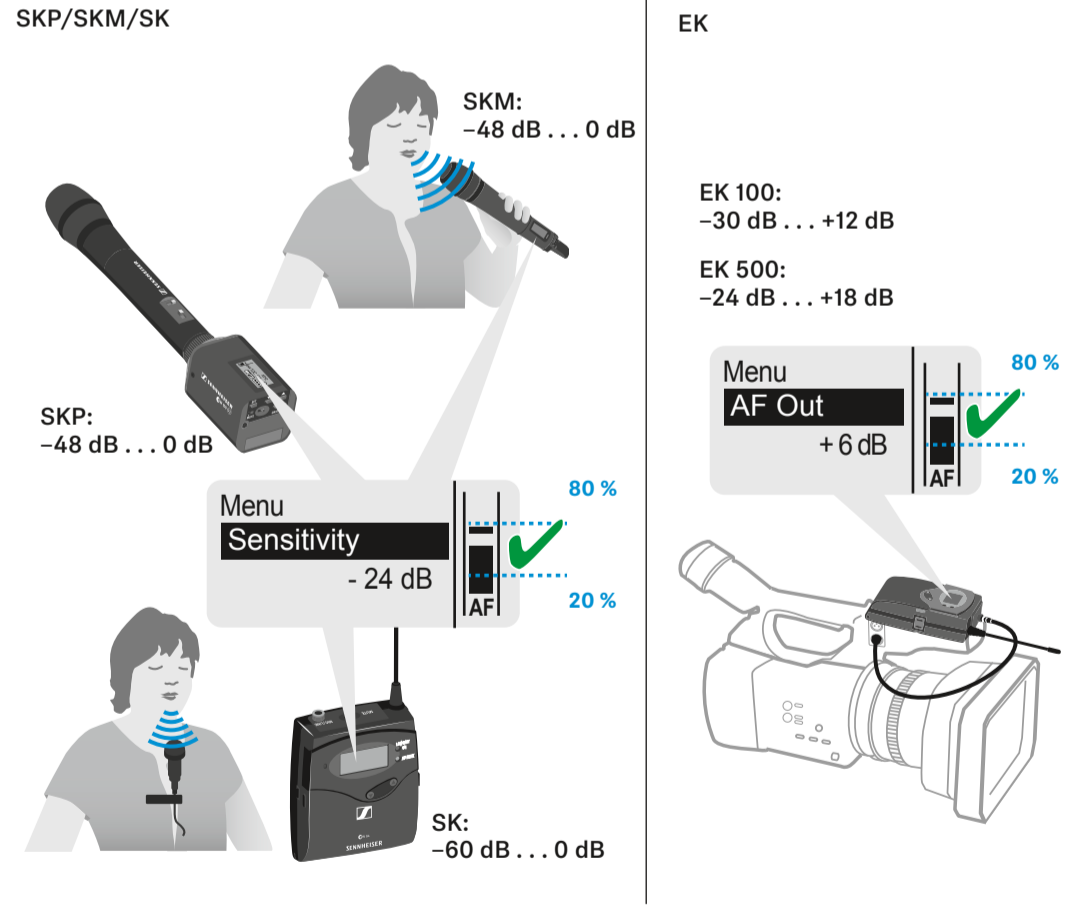
Mute



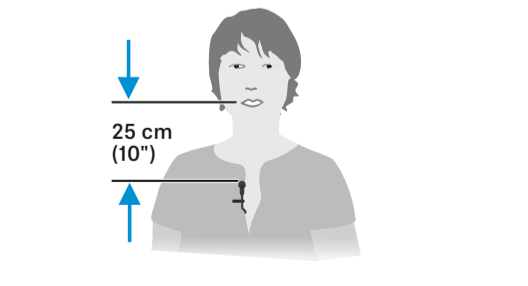
Phones



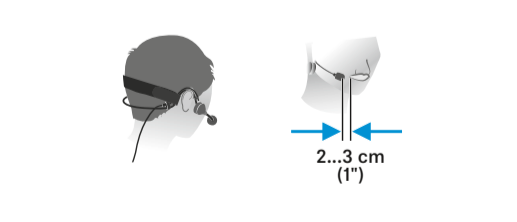
Setup Audio Level



Mic position



ME 3-II



SKM

