

HP Compaq 8710p Notebook PC and  
HP Compaq 8710w Mobile Workstation  
Maintenance and Service Guide



© Copyright 2007 Hewlett-Packard  
Development Company, L.P.

AMD, the AMD Arrow logo, and combinations thereof, are trademarks of Advanced Micro Devices, Inc. Bluetooth is a trademark owned by its proprietor and used by Hewlett-Packard Company under license. Intel and Core are trademarks or registered trademarks of Intel Corporation or its subsidiaries in the United States and other countries. Java is a US trademark of Sun Microsystems, Inc. Microsoft, Windows, and Windows Vista are either trademarks or registered trademarks of Microsoft Corporation in the United States and/or other countries. SD Logo is a trademark of its proprietor.

The information contained herein is subject to change without notice. The only warranties for HP products and services are set forth in the express warranty statements accompanying such products and services. Nothing herein should be construed as constituting an additional warranty. HP shall not be liable for technical or editorial errors or omissions contained herein.

First Edition: June 2007

Document Part Number: 453579-001

## Safety warning notice

---

- ⚠ **WARNING!** To reduce the possibility of heat-related injuries or of overheating the computer, do not place the computer directly on your lap or obstruct the computer air vents. Use the computer only on a hard, flat surface. Do not allow another hard surface, such as an adjoining optional printer, or a soft surface, such as pillows or rugs or clothing, to block airflow. Also, do not allow the AC adapter to contact the skin or a soft surface, such as pillows or rugs or clothing, during operation. The computer and the AC adapter comply with the user-accessible surface temperature limits defined by the International Standard for Safety of Information Technology Equipment (IEC 60950).
-



---

# Table of contents

## 1 Product description

## 2 External component identification

Display components .....	7
Top components .....	8
Buttons, switches, and fingerprint reader .....	8
Keys .....	9
Lights .....	10
Pointing devices .....	12
Front components .....	13
Left-side components .....	14
Rear component .....	15
Right-side components .....	15
Bottom components .....	16

## 3 Illustrated parts catalog

Serial number location .....	17
Computer major components .....	18
Plastics Kit .....	25
Cable Kit .....	26
Mass storage devices .....	27
Miscellaneous parts .....	27
Sequential part number listing .....	29

## 4 Removal and replacement procedures

Preliminary replacement requirements .....	35
Tools required .....	35
Service considerations .....	35
Plastic parts .....	35
Cables and pointing stick connectors .....	36
Drive handling .....	36
Grounding guidelines .....	37
Electrostatic discharge damage .....	37
Packaging and transporting guidelines .....	38
Workstation guidelines .....	38
Equipment guidelines .....	39
Unknown user password .....	40
Component replacement procedures .....	41

Serial number .....	41
Computer feet .....	41
Battery .....	42
Display inverter and ambient light sensor board .....	43
Hard drive .....	46
Bluetooth module .....	48
Primary memory module .....	49
WLAN module .....	51
RTC battery .....	54
Optical drive .....	55
Keyboard .....	57
Expansion memory module .....	60
TouchPad .....	61
Modem module .....	63
Switch cover .....	64
Power button board .....	66
Fan/heat sink assembly .....	67
Graphics card .....	69
Processor heat sink .....	71
Processor .....	72
Display assembly .....	74
Top cover .....	80
Speaker assembly .....	82
System board .....	84
USB/audio board .....	88
PC Card assembly .....	89

## 5 Computer Setup

Starting Computer Setup .....	91
Using Computer Setup .....	92
Navigating and selecting in Computer Setup .....	92
Restoring factory settings in Computer Setup .....	92
Computer Setup menus .....	93
File menu .....	93
Security menu .....	94
Diagnostics menu .....	94
System Configuration menu .....	95

## 6 Specifications

Computer specifications .....	97
17.0-inch, WUXGA+WVA display specifications .....	98
17.0-inch, WSXGA+WVA display specifications .....	99
17.0-inch, WXGA+WVA display specifications .....	100
Hard drive specifications .....	101
DVD±RW and CD-RW Double-Layer Combo Drive specifications .....	102
DVD/CD-RW Combo Drive specifications .....	103
DVD-ROM Drive .....	104
System DMA specifications .....	105
System memory map specifications .....	105

System interrupt specifications .....	106
System I/O address specifications .....	107

## 7 Screw listing

Phillips PM2.0×17.0 captive screw .....	110
Phillips PM2.5×13.0 captive screw .....	111
Phillips PM3.0×4.0 screw .....	112
Phillips PM2.5×5.0 captive screw .....	113
Phillips PM2.0×4.0 screw .....	114
Torx TM2.5×9.0 screw .....	117
Torx TM2.5×4.0 screw .....	119
Phillips PM2.5×9.0 captive screw .....	122
Torx T8M2.5×7.0 screw .....	123
Phillips PM2.5×7.0 screw .....	126
Torx T8M2.0×10.0 captive screw .....	127
Hex Metric HM5.0×10.0 standoff .....	128
Phillips PM2.5×7.0 captive screw .....	129
Phillips PM2.0×6.0 screw .....	130

## 8 Backup and recovery in Windows Vista

Creating recovery discs .....	131
Backing up your information .....	132
When to back up .....	132
Backup suggestions .....	132
Backing up specific files or folders .....	133
Backing up the entire hard drive .....	133
Creating recovery points .....	134
Scheduling backups .....	134
Performing a recovery .....	135
Performing a recovery from the recovery discs .....	135
Performing a recovery from the hard drive .....	135
Initiating a recovery in Windows .....	136
Initiating a recovery from the hard drive recovery partition .....	136

## 9 Backup and recovery in Windows XP

Creating recovery discs .....	137
Backing up your information .....	138
When to back up .....	138
Backup suggestions .....	138
Backing up specific files or folders .....	139
Backing up the entire hard drive .....	139
Creating recovery points .....	140
Scheduling backups .....	140
Performing a recovery .....	141
Performing a recovery from the recovery discs .....	141
Performing a recovery from the hard drive .....	141
Initiating a recovery in Windows .....	142
Initiating a recovery from the hard drive recovery partition .....	142

## 10 Connector pin assignments

1394 .....	143
Audio-out (headphone) .....	143
Audio-in (microphone) .....	144
External monitor .....	144
HDMI .....	145
RJ-11 (modem) .....	146
RJ-45 (network) .....	147
Universal Serial Bus .....	148

## 11 Power cord set requirements

Requirements for all countries and regions .....	149
Requirements for specific countries and regions .....	150

## 12 Recycling

Battery .....	151
Display .....	151

<b>Index .....</b>	<b>157</b>
--------------------	------------



# 1 Product description

Category	Description	HP Compaq 8710w Mobile Workstation	HP Compaq 8710p Notebook PC
<b>Product Name</b>	<b>HP Compaq 8710w Mobile Workstation</b>	√	
	<b>HP Compaq 8710p Notebook PC</b>		√
<b>Processors</b>	<b>Intel® Core™ 2 Duo processors</b>		
	T7700 2.4-GHz processor 4-MB L2 cache, 800-MHz FSB	√	√
	T7500 2.2-GHz processor 4-MB L2 cache, 800-MHz FSB	√	√
	T7300 2.0-GHz processor 4-MB L2 cache, 800-MHz FSB	√	√
	T7100 1.8-GHz processor 2-MB L2 cache, 800-MHz FSB	√	√
<b>Chipset</b>	Northbridge: Intel 965PM with iAMT support	√	√
	Southbridge: Intel ICH8M-enhanced	√	√
<b>Graphics</b>	nVidia NB8E-GLM (G84GLM-UU) graphics card with 512-MB graphics subsystem memory operating at 800 MHz	√	
	nVidia NB8P-NVS2 (G84M-GT) graphics card with 256-MB graphics subsystem memory operating at 700 MHz (supports TurboCache)		√
	OpenGL driver support	√	
<b>Panel</b>	All display assemblies include 3 wireless local area network (WLAN) antennae	√	√
	17.0-inch WUXGA WVA AntiGlare	√	√
	17.0-inch WSXGA+ WVA AntiGlare	√	√
	17.0-inch WXGA+ AntiGlare	√	√
	17.0-inch WSXGA+ Bright View	√	√
	Supports privacy film	√	√

Category	Description	HP Compaq 8710w Mobile Workstation	HP Compaq 8710p Notebook PC
<b>Memory</b>	2 customer-accessible/upgradable memory module slots	√	√
	Supports dual-channel memory	√	√
	Supports up to 4 GB of system RAM	√	√
	PC2-5300, 667-MHz, DDR2	√	√
	Supports the following configurations:	√	√
	<ul style="list-style-type: none"> <li>4096-MB total system memory (2048 × 2, dual-channel)</li> </ul>		
	<ul style="list-style-type: none"> <li>3072-MB total system memory (2048 + 1024)</li> </ul>		
	<ul style="list-style-type: none"> <li>2048-MB total system memory (1024 × 2, dual-channel)</li> </ul>		
	<ul style="list-style-type: none"> <li>2048-MB total system memory (2048 × 1)</li> </ul>		
	<ul style="list-style-type: none"> <li>1536-MB total system memory (1024 + 512)</li> </ul>		
<b>Hard drives</b>	Supports 9.5-mm, 2.5-inch hard drives	√	√
	Customer-accessible	√	√
	Serial ATA	√	√
	Supports the following drives:	√	√
	<ul style="list-style-type: none"> <li>160-GB, 7200- and 5400-rpm</li> </ul>		
	<ul style="list-style-type: none"> <li>120-GB, 7200- and 5400-rpm</li> </ul>		
	<ul style="list-style-type: none"> <li>100-GB, 7200-rpm</li> </ul>		
	<ul style="list-style-type: none"> <li>80-GB, 7200- and 5400-rpm</li> </ul>		
	HP 3D DriveGuard	√	√
<b>Optical drives</b>	Fixed (removal of 1 screw required)	√	√
	Customer-accessible	√	√
	Parallel ATA	√	√
	12.7-mm tray load	√	√

Category	Description	HP Compaq 8710w Mobile Workstation	HP Compaq 8710p Notebook PC
	Supports the following drives:	√	√
	<ul style="list-style-type: none"> <li>DVD±RW and CD-RW Super Multi Double-Layer Combo Drive with LightScribe</li> <li>DVD±RW and CD-RW Super Multi Double-Layer Combo Drive</li> <li>DVD-CD/RW Combo Drive</li> <li>Blu-Ray DVD-RW Combo Drive</li> <li>DVD-ROM Drive</li> </ul>		
<b>Diskette drive</b>	Supports external USB diskette drive only	√	√
	Supports boot from external USB diskette drive	√	√
	Supports 3-mode diskette drive	√	√
<b>Microphone</b>	Integrated microphone	√	√
<b>Audio</b>	HD audio - ADI1981	√	√
<b>Modem</b>	56K V.92 1.5-inch data/fax modem with digital line guard	√	√
	HD audio interface	√	√
	Modem cable included in Brazil, the Czech Republic, Europe, France, Greece, Hungary, Israel, Latin America, Poland, Russia, Saudi Arabia, Slovakia, Slovenia, South Africa, Turkey, and the United Kingdom	√	√
<b>Ethernet</b>	Intel 82566MM 10/100/1000 network interface card (NIC) with iAMT	√	√
	S3/S4/S5 wake on LAN: DC - no	√	√
	S3/S4/S5 wake on LAN: AC - yes	√	√
	NIC power-down technology	√	√
<b>Wireless</b>	<b>Integrated WLAN options by way of wireless module:</b>		
	Three WLAN antennae built into display assembly	√	√
	Support for no-WLAN option	√	√
	Support for the following WLAN formats:	√	√
	<ul style="list-style-type: none"> <li>Intel 802.11a/b/g/n with iAMT support</li> <li>Broadcom 802.11a/b/g</li> <li>Intel 802.11a/b/g with iAMT support</li> <li>Broadcom 802.11b/g</li> </ul>		

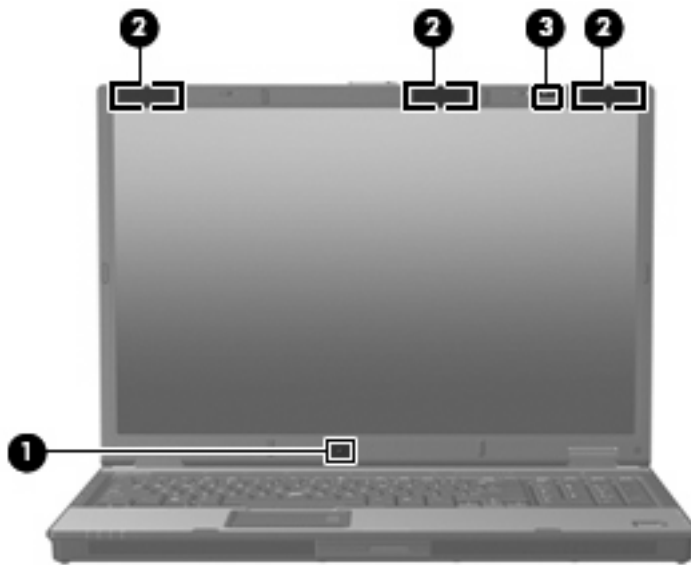
Category	Description	HP Compaq 8710w Mobile Workstation	HP Compaq 8710p Notebook PC
<b>Integrated personal area network (PAN) options by way of Bluetooth® module:</b>			
	Support for no-WPAN option	√	√
	Broadcom Bluetooth	√	√
<b>External media card</b>	One Type I/II PC Card slot, supporting 16-bit and 32-bit (Cardbus) PC Card modules	√	√
	Media Card Reader slot supporting SD, MMC, MS, MSP, xD, and Memory Stick Duo	√	√
<b>Ports</b>	Audio-in (mono microphone)	√	√
	Audio-out (stereo headphone)	√	√
	High-Definition Multimedia Interface (HDMI)	√	√
	RJ-11 (modem)	√	√
	RJ-45 (Ethernet, includes link and activity lights)	√	√
	USB (6)	√	√
	VGA (Dsub 15-pin) supporting 1600 × 1200 external resolution at 75-GHz (hot plug/unplug with auto-detect)	√	√
	3-pin AC power	√	√
<b>Docking</b>	HP 3-in-1 NAS Docking Station, HP Advanced Docking Station, and HP Docking Station	√	√
<b>Keyboard/ pointing devices</b>	14.4-inch keyboard with separate numeric keypad	√	√
	Dual point (pointing stick and TouchPad) with 3 pointing stick buttons and 3 TouchPad buttons and vertical scrolling (taps enabled as default)	√	√
	TouchPad only, with 2 TouchPad buttons and vertical scrolling (taps enabled as default)		√
	Windows Vista™ Hardware Start Button	√	√
<b>Power requirements</b>	120-W AC adapter with localized cable plug support (3-wire plug with ground pin, supports 3-pin DC connector)	√	√
	8-cell, 2.55-Ah (73-Wh) Li-ion battery	√	√
	Support for 8-cell Extended Life Battery	√	√
	Support for 12-cell Ultra Capacity Battery	√	√
<b>Security</b>	Full volume encryption	√	√
	Integrated fingerprint reader	√	√

Category	Description	HP Compaq 8710w Mobile Workstation	HP Compaq 8710p Notebook PC
	Integrated smart card reader	√	√
	Preboot authentication (password, smart card)	√	√
	Security cable slot	√	√
	Trusted platform module (TPM) V.1.2	√	√
<b>Operating system</b>	<b>Preinstalled:</b>		
	Windows Vista Business 32/64	√	√
	Windows Vista Home Basic 32	√	√
	Windows® XP Professional	√	√
	FreeDOS	√	√
	<b>Preinstalled with Microsoft® Office:</b>		
	Windows Vista Business 32/64 with Office 2007 Ready	√	√
	Windows Vista Business 32/64 with Office 2007 Personal		√
	Windows XP Professional with Office 2007 Ready	√	√
	Windows XP Professional with Office 2007 Personal	√	√
	<b>Restore media:</b>		
	Windows Vista Business 32/64	√	√
	Windows Vista Home Basic 32	√	√
	Windows XP Professional	√	√
	DRDVD XP	√	√
	DRDVD Vista	√	√
	<b>Supported:</b>		
	Windows® 2000	√	√
	<b>Certified:</b>		
	Linux	√	√
<b>Serviceability</b>	<b>End-user replaceable parts:</b>		
	AC adapter	√	√
	Battery (system)	√	√
	Battery (RTC)	√	√
	Hard drive	√	√
	Memory module	√	√
	Modem module	√	√

<b>Category</b>	<b>Description</b>	<b>HP Compaq 8710w Mobile Workstation</b>	<b>HP Compaq 8710p Notebook PC</b>
	Optical drive	√	√
	WLAN module	√	√

## 2 External component identification

### Display components



Item	Component	Function
(1)	Ambient light sensor	When activated, the sensor automatically adjusts the display brightness based on the surrounding lighting conditions.
(2)	Wireless antenna locations	Send and receive wireless signals to communicate with WLANs.
(3)	Internal microphone	Records sound.

# Top components

## Buttons, switches, and fingerprint reader




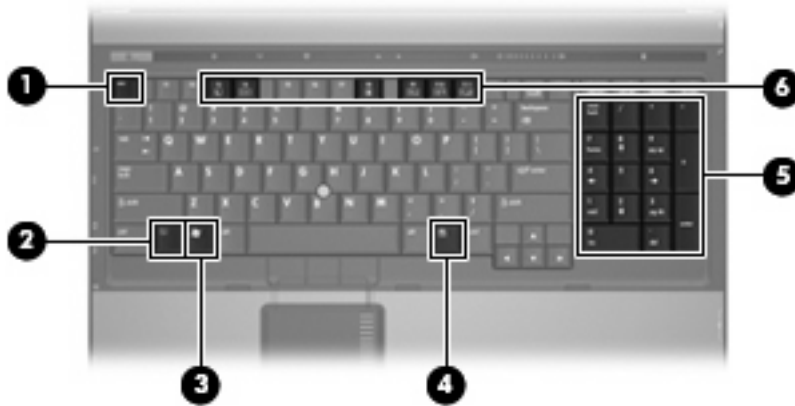
Item	Component	Function
(1)	Power button	<ul style="list-style-type: none"><li>• When the computer is off, press the button to turn on the computer.</li><li>• When the computer is on, press the button to shut down the computer.</li><li>• When the computer is in the Sleep state (Windows Vista) or in Standby (Windows XP), press the button briefly to exit the Sleep state or Standby.</li><li>• When the computer is in Hibernation, press the button briefly to exit Hibernation.</li></ul> <p>If the computer has stopped responding and Windows® shutdown procedures are ineffective, press and hold the power button for at least 5 seconds to turn off the computer.</p> <p>To learn more about power settings, follow these steps:</p> <ul style="list-style-type: none"><li>• In Windows Vista, select <b>Start &gt; Control Panel &gt; System and Maintenance &gt; Power Options</b>.</li><li>• In Windows XP, select <b>Start &gt; Control Panel &gt; Performance and Maintenance &gt; Power Options</b>.</li></ul>
(2)	Info button	Launches Info Center, which enables you to open various software solutions.
(3)	Wireless button	Turns the wireless feature on or off, but does not establish a wireless connection. <b>NOTE:</b> A wireless network must be set up in order to establish a wireless connection.
(4)	Presentation button	Starts the presentation feature.



Item	Component	Function
(5)	Volume mute button	Mutes and restores speaker sound.
(6)	Volume scroll zone	Adjusts speaker volume. Slide your finger to the left to decrease volume and to the right to increase volume. You can also press the left side of the volume slider to decrease volume, or press the right side of the volume slider to increase volume.
(7)	Calculator button	Turns on the Windows calculator function.
(8)	HP Fingerprint Sensor (fingerprint reader)	Allows a fingerprint logon to Windows, instead of a password logon.

## Keys

 **NOTE:** Your computer may look slightly different from the illustration in this section.



Item	Component	Function
(1)	<b>esc</b> key	Displays system information when pressed in combination with the <b>fn</b> key.
(2)	<b>fn</b> key	Executes frequently used system functions when pressed in combination with a function key or the <b>esc</b> key.
(3)	Windows logo key	Displays the Windows Start menu.
(4)	Windows applications key	Displays a shortcut menu for items beneath the pointer.
(5)	Integrated numeric keypad	Can be used like the keys on an external numeric keypad.
(6)	Function keys	Execute frequently used system functions when pressed in combination with the <b>fn</b> key.

## Lights



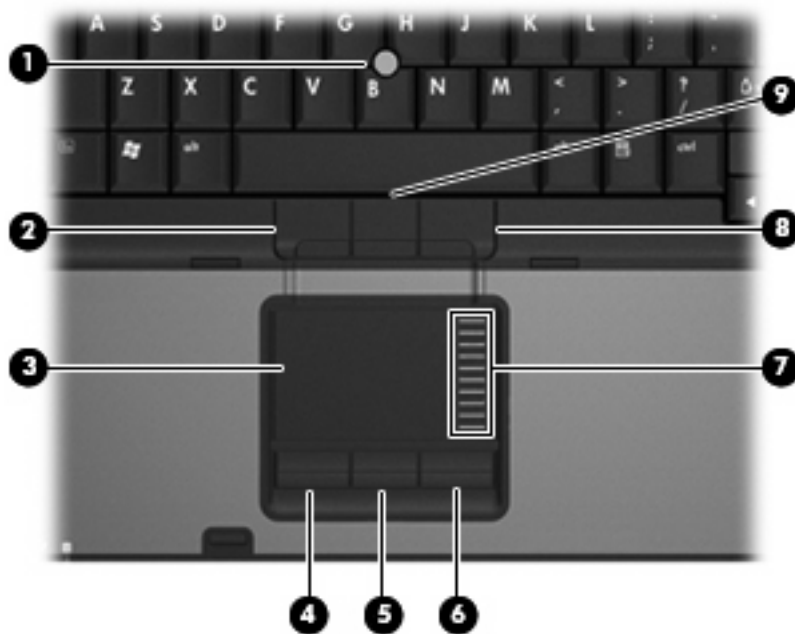
Item	Component	Function
(1)	Wireless lights (2)*	<ul style="list-style-type: none"> <li>On: An integrated wireless device, such as a WLAN device and/or a Bluetooth® device, is on.</li> <li>Off: All wireless devices are off.</li> </ul>
(2)	Power lights (2)†	<ul style="list-style-type: none"> <li>On: The computer is on.</li> <li>Blinking: The computer is in the Sleep state (Windows Vista) or Standby (Windows XP).</li> <li>Blinking rapidly: An AC adapter with a higher power rating should be connected.</li> <li>Off: The computer is off or in Hibernation.</li> </ul>
(3)	Battery light	<ul style="list-style-type: none"> <li>Amber: A battery is charging.</li> <li>Green: A battery is close to full charge capacity.</li> <li>Blinking amber: A battery that is the only available power source has reached a low battery level. When the battery reaches a critical battery level, the battery light begins blinking rapidly.</li> <li>Off: If the computer is plugged into an external power source, the light turns off when all batteries in the computer are fully charged. If the computer is not plugged into an external power source, the light stays off until the battery reaches a low battery level.</li> </ul>
(4)	Drive light	<ul style="list-style-type: none"> <li>Blinking green: The hard drive or optical drive is being accessed.</li> <li>Amber: HP 3D DriveGuard has temporarily parked the internal hard drive.</li> </ul>
(5)	Caps lock light	On: Caps lock is on.
(6)	Num lock light	On: Num lock is on or the integrated numeric keypad is enabled.

Item	Component	Function
(7)	Volume mute light	<ul style="list-style-type: none"> <li>• Amber: Computer sound is turned off.</li> <li>• On: Computer sound is turned on.</li> </ul>
(8)	Volume down light	On: The volume scroll zone is being used to decrease speaker volume.
(9)	Volume up light	On: The volume scroll zone is being used to increase speaker volume.

\*The 2 wireless lights display the same information. The light on the wireless button is visible only when the computer is open. The wireless light on the front of the computer is visible whether the computer is open or closed.

†The 2 power lights display the same information. The light on the power button is visible only when the computer is open. The power light on the front of the computer is visible whether the computer is open or closed.

## Pointing devices

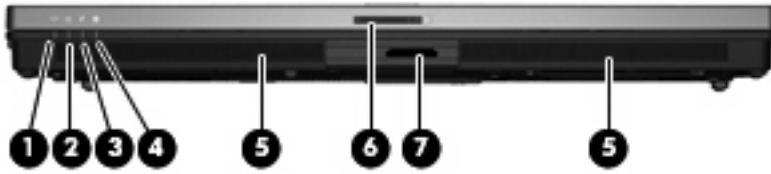


Item	Component	Function
(1)	Pointing stick*	Moves the pointer and selects or activates items on the screen.
(2)	Left pointing stick button*	Functions like the left button on an external mouse.
(3)	TouchPad*	Moves the pointer and selects or activates items on the screen.
(4)	Left TouchPad button*	Functions like the left button on an external mouse.
(5)	Center TouchPad button*	Functions like the center button on an external mouse.
(6)	Right TouchPad button*	Functions like the right button on an external mouse.
(7)	TouchPad scroll zone	Scrolls up or down.
(8)	Right pointing stick button*	Functions like the right button on an external mouse.
(9)	Center pointing stick button*	Functions like the center button on an external mouse.

\*This table describes factory settings. View or change pointing device preferences as follows:

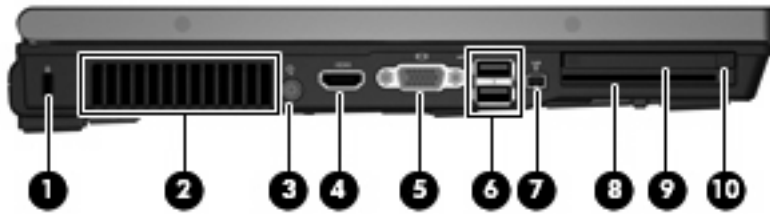
- In Windows Vista, select **Start > Control Panel > Hardware and Sound > Mouse**.
- In Windows XP, select **Start > Control Panel > Printers and Other Hardware > Mouse**.

# Front components



Item	Component	Function
(1)	Wireless light	<ul style="list-style-type: none"> <li>On: An integrated wireless device, such as a WLAN device and/or a Bluetooth device, is on.</li> <li>Off: All wireless devices are off.</li> </ul>
(2)	Power light	<ul style="list-style-type: none"> <li>On: The computer is on.</li> <li>Blinking: The computer is in the Sleep state (Windows Vista) or in Standby (Windows XP).</li> <li>Blinking rapidly: An AC adapter with a higher power rating should be connected.</li> <li>Off: The computer is off or in Hibernation.</li> </ul>
(3)	Battery light	<ul style="list-style-type: none"> <li>Amber: A battery is charging.</li> <li>Green: A battery is close to full charge capacity.</li> <li>Blinking amber: A battery that is the only available power source has reached a low battery level. When the battery reaches a critical battery level, the battery light begins blinking rapidly.</li> <li>Off: If the computer is plugged into an external power source, the light turns off when all batteries in the computer are fully charged. If the computer is not plugged into an external power source, the light stays off until the battery reaches a low battery level.</li> </ul>
(4)	Drive light	<ul style="list-style-type: none"> <li>Blinking green: The hard drive or optical drive is being accessed.</li> <li>Amber: HP 3D DriveGuard has temporarily parked the hard drive.</li> </ul>
(5)	Speakers (2)	Produce sound.
(6)	Display release latch	Opens the computer.
(7)	Media Card Reader	Supports the following optional digital card formats: Secure Digital (SD) Memory Card, Memory Stick Pro, Memory Stick Duo, xD-Picture Card, and MultiMediaCard (MMC).

## Left-side components



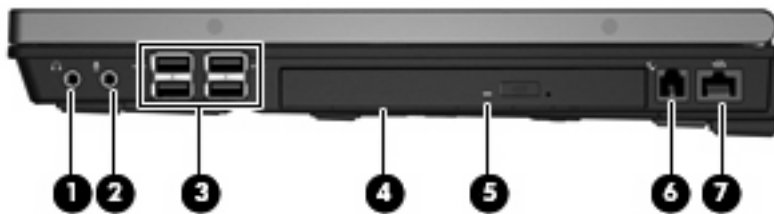
Item	Component	Function
(1)	Security cable slot	Attaches an optional security cable to the computer. <b>NOTE:</b> The security cable is designed to act as a deterrent, but it may not prevent the computer from being mishandled or stolen.
(2)	Vent	Enables airflow to cool internal components. <b>NOTE:</b> The computer fan starts up automatically to cool internal components and prevent overheating. It is normal for the internal fan to cycle on and off during routine operation.
(3)	Power connector	Connects an AC adapter.
(4)	HDMI port	Connects an optional HDMI device.
(5)	External monitor port	Connects an external VGA monitor or projector.
(6)	USB ports (2)	Connect optional USB devices.
(7)	1394 port	Connects an optional IEEE 1394 or 1394a device, such as a camcorder.
(8)	Smart card reader	Supports smart cards and Java™ cards.
(9)	PC Card slot	Supports optional Type I or Type II 32-bit (CardBus) or 16-bit PC Cards.
(10)	PC Card eject button	Ejects a PC Card from the PC Card slot.

## Rear component



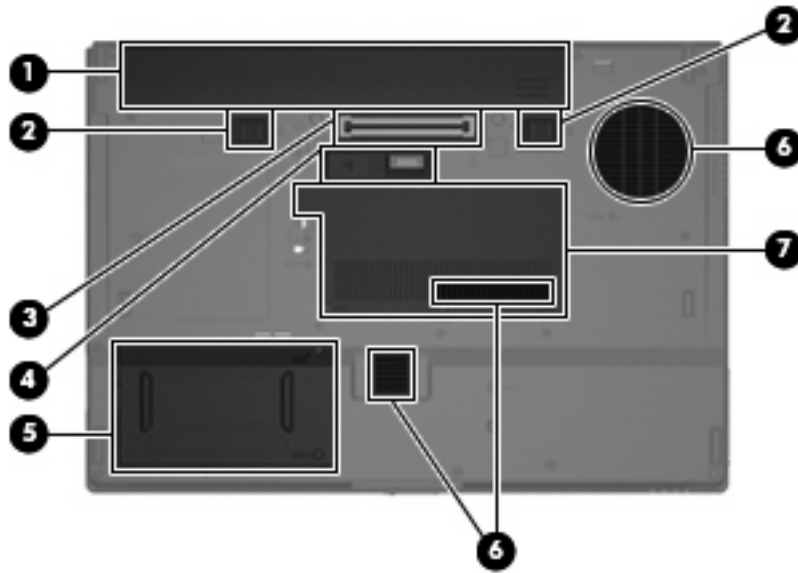
Component	Function
Vent	Enables airflow to cool internal components.  <b>NOTE:</b> The computer fan starts up automatically to cool internal components and prevent overheating. It is normal for the internal fan to cycle on and off during routine operation.

## Right-side components



Item	Component	Function
(1)	Audio-out (headphone) jack	Produces sound when connected to optional powered stereo speakers, headphones, ear buds, a headset, or television audio.
(2)	Audio-in (microphone) jack	Connects an optional computer headset microphone, stereo array microphone, or monaural microphone.
(3)	USB ports (4)	Connects up to 4 optional USB devices.
(4)	Optical drive	Reads an optical disc.
(5)	Optical drive button	Releases the media tray.
(6)	RJ-11 (modem) jack	Connects a modem cable.
(7)	RJ-45 (network) jack	Connects a network cable.

## Bottom components



Item	Component	Function
(1)	Battery bay	Holds the battery.
(2)	Battery release latches (2)	Release the battery from the battery bay.
(3)	Docking connector	Connects an optional docking device.
(4)	Accessory battery connector (slide open to expose)	Connects an optional accessory battery.
(5)	Hard drive bay	Contains the hard drive and the Bluetooth module.
(6)	Vents (3)	Enable airflow to cool internal components.
		<p><b>NOTE:</b> The computer fan starts up automatically to cool internal components and prevent overheating. It is normal for the internal fan to cycle on and off during routine operation.</p>
(7)	Memory module/WLAN module compartment	Contains the expansion memory module slot, the WLAN module slot, and the RTC battery.
		<p><b>CAUTION:</b> To prevent an unresponsive system, replace the wireless module only with a wireless module authorized for use in the computer by the governmental agency that regulates wireless devices in your country or region. If you replace the module and then receive a warning message, remove the module to restore computer functionality, and then contact technical support through Help and Support.</p>

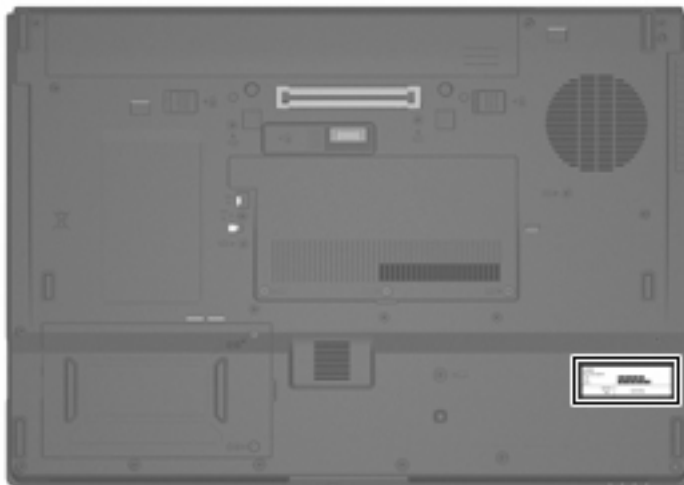


---

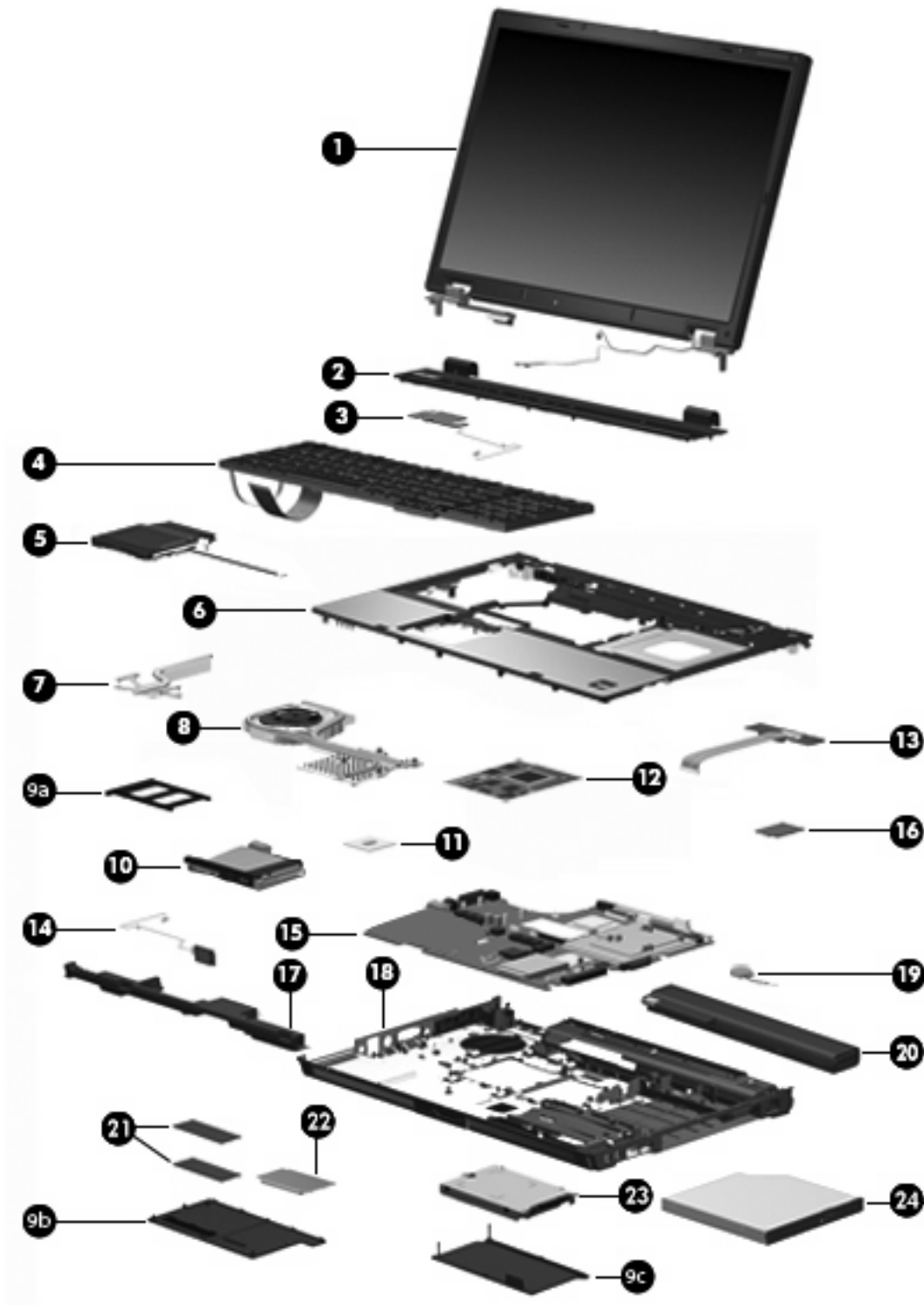
## 3 Illustrated parts catalog

### Serial number location

When ordering parts or requesting information, provide the computer serial number and model number located on the bottom of the computer.



# Computer major components



Item	Description	Spare part number
(1)	Display assemblies (include 3 WLAN antenna transceivers and cables)	

Item	Description	Spare part number
	17.0-inch, WUXGA WVA AntiGlare	450582-001
	17.0-inch, WSXGA+ WVA AntiGlare	450580-001
	17.0-inch, WSXGA+ WVA BrightView	450581-001
	17.0-inch, WXGA+ AntiGlare	450583-001
	<b>Display internal components</b> (not illustrated):	
	Ambient light sensor board	450480-001
	Display bezel	450500-001
	Display inverter	450498-001
	Display Bracket Kit (includes left and right display hinges)	450570-001
	Display panel cable	450571-001
	Wireless Antenna Kit (includes 3 WLAN antenna transceivers and cables)	450475-001
	Display enclosure (includes 3 WLAN antenna transceivers and cables)	450572-001
	Display Rubber Kit (includes display bezel rubber screw covers)	450573-001
	Display Screw Kit	450574-001
<b>(2)</b>	<b>Switch cover</b> (includes LED board and cable)	450479-001
<b>(3)</b>	<b>Power button board</b> (includes cable)	450481-001
<b>(4)</b>	<b>Keyboards with pointing stick</b> (include pointing stick cable)	
	For use in Belgium	450471-A41
	For use in Brazil	450471-201
	For use in the Czech Republic	450471-221
	For use in Denmark	450471-081
	For use in France	450471-051
	For use in French Canada	450471-121
	For use in Germany	450471-041
	For use in Greece	450471-151
	For use in Hungary	450471-211
	For use in Iceland	450471-DD1
	For use in Israel	450471-BB1
	For use in Italy	450471-061
	For use in Japan	450471-291
	For use in Latin America	450471-161
	For use in the Netherlands and Europe	450471-021
	For use in Norway	450471-091
	For use in Portugal	450471-131

<b>Item</b>	<b>Description</b>	<b>Spare part number</b>
	For use in Russia	450471-251
	For use in Saudi Arabia	450471-171
	For use in Slovakia	450471-231
	For use in Slovenia	450471-BA1
	For use in South Korea	450471-AD1
	For use in Spain	450471-071
	For use in Sweden and Finland	450471-B71
	For use in Switzerland	450471-111
	For use in Taiwan	450471-AB1
	For use in Thailand	450471-281
	For use in Turkey	450471-141
	For use in the United Kingdom	450471-031
	For use in the United States	450471-001
	<b>Keyboards without pointing stick</b>	
	For use in Belgium	450472-A41
	For use in Brazil	450472-201
	For use in the Czech Republic	450472-221
	For use in Denmark	450472-081
	For use in France	450472-051
	For use in French Canada	450472-121
	For use in Germany	450472-041
	For use in Greece	450472-151
	For use in Hungary	450472-211
	For use in Iceland	450472-DD1
	For use in Israel	450472-BB1
	For use in Italy	450472-061
	For use in Japan	450472-291
	For use in Latin America	450472-161
	For use in the Netherlands and Europe	450472-021
	For use in Norway	450472-091
	For use in Portugal	450472-131
	For use in Russia	450472-251
	For use in Saudi Arabia	450472-171
	For use in Slovakia	450472-231

Item	Description	Spare part number
	For use in Slovenia	450472-BA1
	For use in South Korea	450472-AD1
	For use in Spain	450472-071
	For use in Sweden and Finland	450472-B71
	For use in Switzerland	450472-111
	For use in Taiwan	450472-AB1
	For use in Thailand	450472-281
	For use in Turkey	450472-141
	For use in the United Kingdom	450472-031
	For use in the United States	450472-001
<b>(5)</b>	<b>TouchPads</b> (include TouchPad cable)	
	For use with keyboards with a pointing stick, includes 3 pointing stick buttons and 3 TouchPad buttons	450597-001
	For use with keyboards without a pointing stick, includes 2 TouchPad buttons	450596-001
<b>(6)</b>	<b>Top covers</b> (include fingerprint reader board and cable )	
	For use with HP Compaq 8710w computer models	451379-001
	For use with HP Compaq 8710p computer models	450595-001
<b>(7)</b>	<b>Processor heat sink</b> (includes replacement thermal material)	450593-001
<b>(8)</b>	<b>Fan/heat sink assembly</b> (includes replacement thermal material)	450594-001
	<b>Plastics Kit</b> (see <a href="#">Plastics Kit on page 25</a> for more Plastics Kit spare part information):	450585-001
<b>(9a)</b>	PC Card slot bezel	
<b>(9b)</b>	Memory module/WLAN module compartment cover (includes 3 captive screws, secured by C-clips)	
	Computer feet (not illustrated; 9 feet in 4 different sizes)	
<b>(9c)</b>	Hard drive cover (includes 2 captive screws, secured by C-clips)	
<b>(10)</b>	<b>PC Card assembly</b>	450584-001
<b>(11)</b>	<b>Intel Core 2 Duo processors</b> (include replacement thermal material)	
	T7700 2.4-GHz processor (4-MB L2 cache, 800-MHz FSB)	450589-001
	T7500 2.2-GHz processor (4-MB L2 cache, 800-MHz FSB)	450588-001
	T7300 2.0-GHz processor (4-MB L2 cache, 800-MHz FSB)	450587-001
	T7100 1.8-GHz processor (2-MB L2 cache, 800-MHz FSB)	450586-001
<b>(12)</b>	<b>Graphics cards</b> (include replacement thermal material)	
	For use only with HP Compaq 8710w computer models (nVidia NB8E-GLM graphics card with 512-MB graphics subsystem memory operating at 800 MHz)	451377-001
	For use only with HP Compaq 8710p computer models (nVidia NB8P-NVS2 graphics card with 256-MB graphics subsystem memory operating at 700 MHz; supports TurboCache)	450484-001

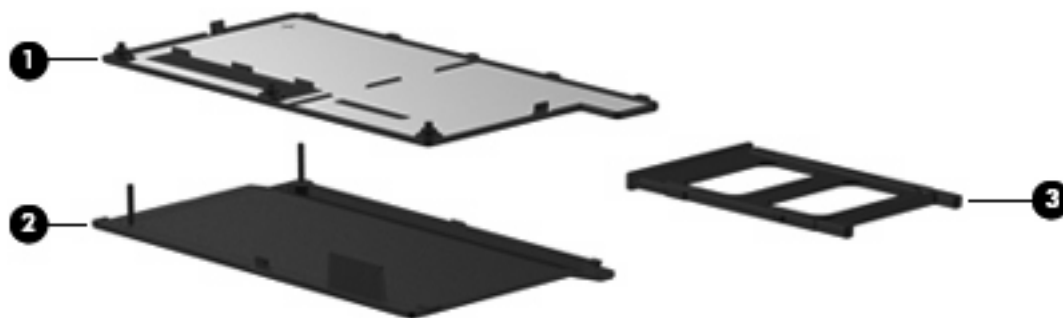
Item	Description	Spare part number
(13)	<b>USB/audio board</b> (includes 2-into-1 USB board cable and audio board cable)	450483-001
(14)	<b>Bluetooth module</b> (includes Bluetooth module cable)	450485-001
(15)	<b>System board</b> (includes replacement thermal material)	450482-001
(16)	<b>Modem module</b>	443899-001
(17)	<b>Speaker assembly</b>	450592-001
(18)	<b>Base enclosure</b> (includes rubber feet)	450476-001
	<b>Rubber Kit</b> (includes 9 feet in 4 different sizes)	450590-001
(19)	<b>RTC battery</b>	450478-001
(20)	<b>8-cell, 5.1-Ah, Li-ion battery</b>	450477-001
(21)	<b>Memory modules</b>	
	2048-MB memory module (PC2-5300, 667-MHz, DDR2)	450576-001
	1024-MB memory module (PC2-5300, 667-MHz, DDR2)	450575-001
	512-MB memory module (PC2-5300, 667-MHz, DDR2)	450577-001
(22)	<b>WLAN modules</b>	
	Intel 802.11a/b/g/n WLAN modules:	
	<ul style="list-style-type: none"> <li>For use in Antigua and Barbuda, Argentina, Aruba, the Bahamas, Barbados, Bermuda, Brunei, Canada, the Cayman Islands, Chile, Colombia, Costa Rica, the Dominican Republic, Ecuador, El Salvador, Guam, Guatemala, Haiti, Honduras, Hong Kong, India, Indonesia, Malaysia, Mexico, Panama, Paraguay, Peru, Saudi Arabia, Taiwan, Uruguay, the United States, Venezuela, and Vietnam</li> </ul>	441086-001
	<ul style="list-style-type: none"> <li>For use in Austria, Azerbaijan, Bahrain, Belgium, Brazil, Bulgaria, Croatia, Cyprus, the Czech Republic, Denmark, Egypt, Estonia, Finland, France, Georgia, Germany, Greece, Hungary, Iceland, Ireland, Israel, Italy, Latvia, Lebanon, Liechtenstein, Lithuania, Luxembourg, Malta, Monaco, the Netherlands, Norway, Oman, the Philippines, Poland, Portugal, Qatar, Romania, Russia, Serbia and Montenegro, Singapore, Slovakia, Slovenia, South Africa, Spain, Sri Lanka, Sweden, Switzerland, Turkey, Ukraine, the United Kingdom, and Uzbekistan</li> </ul>	441086-002
	<ul style="list-style-type: none"> <li>For use in Australia, New Zealand, Pakistan, the People's Republic of China, and South Korea</li> </ul>	441086-003
	<ul style="list-style-type: none"> <li>For use in Japan</li> </ul>	441086-291
	Broadcom 802.11a/b/g WLAN modules:	
	<ul style="list-style-type: none"> <li>For use in Canada, Cayman Islands, Guam, Puerto Rico, the U.S. Virgin Islands, and the United States</li> </ul>	441075-001
	<ul style="list-style-type: none"> <li>For use in Afghanistan, Albania, Algeria, Andorra, Angola, Antigua and Barbuda, Argentina, Armenia, Aruba, Australia, Austria, Azerbaijan, the Bahamas, Bahrain, Bangladesh, Barbados, Belarus, Belgium, Belize, Benin, Bermuda, Bhutan, Bolivia, Bosnia and Herzegovina, Botswana, Brazil, the British Virgin Islands, Brunei, Bulgaria, Burkina Faso, Burundi, Cameroon, Cape Verde, the Central African Republic, Chad, Chile, China, Colombia, Comoros, the Congo, Costa Rica, Croatia, Cyprus, the Czech Republic, Denmark, Djibouti, Dominica, the Dominican Republic, East Timor, Ecuador, Egypt, El Salvador, Equatorial Guinea, Eritrea, Estonia, Ethiopia, Fiji, Finland, France, French Guiana, Gabon, Gambia, Georgia, Germany, Ghana, Gibraltar, Greece, Grenada, Guadeloupe, Guatemala, Guinea, Guinea-Bissa, Guyana, Haiti, Honduras, Hong Kong, Hungary, Iceland, India, Ireland, Israel, Italy, the Ivory Coast, Jamaica, Jordan,</li> </ul>	441075-002

Item	Description	Spare part number
	Kazakhstan, Kenya, Kiribati, Kyrgyzstan, Laos, Latvia, Lebanon, Lesotho, Liberia, Liechtenstein, Lithuania, Luxembourg, Macedonia, Madagascar, Malawi, Malaysia, the Maldives, Mali, Malta, the Marshall Islands, Martinique, Mauritania, Mauritius, Mexico, Micronesia, Monaco, Mongolia, Montenegro, Morocco, Mozambique, Namibia, Nauru, Nepal, the Nether Antilles, the Netherlands, New Zealand, Nicaragua, Niger, Nigeria, Norway, Oman, Pakistan, Palau, Panama, Papua New Guinea, Paraguay, Peru, the Philippines, Poland, Portugal, the Republic of Moldova, Romania, Russia, Rwanda, Samoa, San Marino, Sao Tome & Principe, Saudi Arabia, Senegal, Serbia and Montenegro, the Seychelles, Sierra Leone, Singapore, Slovakia, Slovenia, the Solomon Islands, Somalia, South Africa, South Korea, Spain, Sri Lanka, St. Kitts & Nevis, St. Lucia, St. Vincent & Grenada, Suriname, Swaziland, Sweden, Switzerland, Taiwan, Tajikistan, Tanzania, Togo, Tonga, Trinidad and Tobago, Tunisia, Turkey, Turkmenistan, Tuvalu, Uganda, Ukraine, the United Arab Emirates, the United Kingdom, Uruguay, Uzbekistan, Vanuatu, Venezuela, Vietnam, Yemen, Zaire, Zambia, and Zimbabwe	
	<ul style="list-style-type: none"> <li>For use in Japan</li> </ul>	441075-291
	Intel 802.11a/b/g WLAN modules:	
	<ul style="list-style-type: none"> <li>For use in Antigua &amp; Barbuda, Argentina, Aruba, the Bahamas, Barbados, Bermuda, Brunei, Canada, the Cayman Islands, Chile, Colombia, Costa Rica, the Dominican Republic, Ecuador, El Salvador, Guam, Guatemala, Haiti, Honduras, Hong Kong, India, Indonesia, Malaysia, Mexico, Panama, Paraguay, Peru, Saudi Arabia, Taiwan, the United States, Uruguay, Venezuela, and Vietnam</li> </ul>	441082-001
	<ul style="list-style-type: none"> <li>For use in Austria, Azerbaijan, Bahrain, Belgium, Brazil, Bulgaria, Croatia, Cyprus, the Czech Republic, Denmark, Egypt, Estonia, Finland, France, Georgia, Germany, Greece, Hungary, Iceland, Ireland, Israel, Italy, Latvia, Lebanon, Liechtenstein, Lithuania, Luxembourg, Malta, Monaco, the Netherlands, Norway, Oman, the Philippines, Poland, Portugal, Qatar, Romania, Russia, Serbia and Montenegro, Singapore, Slovakia, Slovenia, South Africa, Spain, Sri Lanka, Sweden, Switzerland, Turkey, Ukraine, the United Kingdom, and Uzbekistan</li> </ul>	441082-002
	<ul style="list-style-type: none"> <li>For use in Australia, New Zealand, Pakistan, the People's Republic of China, and South Korea</li> </ul>	441082-003
	<ul style="list-style-type: none"> <li>For use in Japan</li> </ul>	441082-291
	Broadcom 802.11b/g WLAN modules:	
	<ul style="list-style-type: none"> <li>For use in Canada, the Cayman Islands, Guam, Puerto Rico, the U.S. Virgin Islands, and the United States</li> </ul>	441090-001
	<ul style="list-style-type: none"> <li>For use in Afghanistan, Albania, Algeria, Andorra, Angola, Antigua &amp; Barbuda, Argentina, Armenia, Aruba, Australia, Austria, Azerbaijan, the Bahamas, Bahrain, Bangladesh, Barbados, Belarus, Belgium, Belize, Benin, Bermuda, Bhutan, Bolivia, Bosnia &amp; Herzegovina Botswana, Brazil, the British Virgin Islands, Brunei, Bulgaria, Burkina Faso, Burundi, Cambodia, Cameroon, Cape Verde, the Central African Republic, Chad, Chile, Colombia, Comoros, the Congo, Costa Rica, Croatia, Cyprus, the Czech Republic, Denmark, Djibouti, Dominica, the Dominican Republic, East Timor, Ecuador, Egypt, El Salvador, Equatorial Guinea, Eritrea, Estonia, Ethiopia, Fiji, Finland, France, French Guiana, Gabon, Gambia, Georgia, Germany, Ghana, Gibraltar, Greece, Grenada, Guadeloupe, Guatemala, Guinea, Guinea-Bissa, Guyana, Haiti, Honduras, Hong Kong, Hungary, Iceland, India, Indonesia, Ireland, Israel, Italy, the Ivory Coast, Jamaica, Jordan, Kazakhstan, Kenya, Kiribati, Kuwait, Kyrgyzstan, Laos, Latvia, Lebanon, Lesotho, Liberia, Liechtenstein, Lithuania, Luxembourg, Macedonia, Madagascar, Malawi, Malaysia, the Maldives, Mali, Malta, the Marshall Islands, Martinique, Mauritania, Mauritius, Mexico, Micronesia, Monaco, Mongolia, Montenegro, Morocco, Mozambique, Namibia, Nauru, Nepal, the Nether Antilles, the Netherlands, New Zealand, Nicaragua, Niger, Nigeria, Norway, Oman, Palau, Panama, Papua New Guinea, Paraguay, the People's Republic of China, Peru, the Philippines, Poland, Portugal, Qatar, the Republic of Moldova, Romania, Russia, Rwanda, Samoa, San Marino, Sao Tome &amp; Principe, Saudi Arabia, Senegal, Serbia and Montenegro, the Seychelles, Sierra Leone, Singapore, Slovakia,</li> </ul>	441090-002

Item	Description	Spare part number
	Slovenia, the Solomon Islands, Somalia, South Africa, South Korea, Spain, Sri Lanka, St. Kitts & Nevis, St. Lucia, St. Vincent & Grenada, Suriname, Swaziland, Sweden, Switzerland, Taiwan, Tajikistan, Tanzania, Thailand, Togo, Tonga, Trinidad & Tobago, Tunisia, Turkey, Turkmenistan, Tuvalu, Uganda, Ukraine, the United Arab Emirates, the United Kingdom, Uruguay, Uzbekistan, Vanuatu, Venezuela, Vietnam, Yemen, Zaire, Zambia, and Zimbabwe	
	<ul style="list-style-type: none"> <li>For use in Japan</li> </ul>	441090-291
	Intel 802.11b/g WLAN module for use in Japan	448675-004
<b>(23)</b>	<b>Hard drives</b> (include hard drive bracket)	
	160-GB, 5400-rpm	450495-001
	120-GB, 7200-rpm	454487-001
	120-GB, 5400-rpm	450494-001
	100-GB, 7200-rpm	450493-001
	80-GB, 7200-rpm	450497-001
	80-GB, 5400-rpm	450496-001
<b>(24)</b>	<b>Optical drives</b>	
	DVD±RW and CD-RW Super Multi Double-Layer Combo Drive with LightScribe	450490-001
	DVD±RW and CD-RW Super Multi Double-Layer Combo Drive	450491-001
	DVD/CD-RW Combo Drive	450492-001
	Blu-ray DVD-RW Drive	450489-001
	DVD-ROM Drive	450488-001
	<b>Cable Kit</b> (not illustrated; see <a href="#">Cable Kit on page 26</a> for more Cable Kit spare part number information)	450486-001

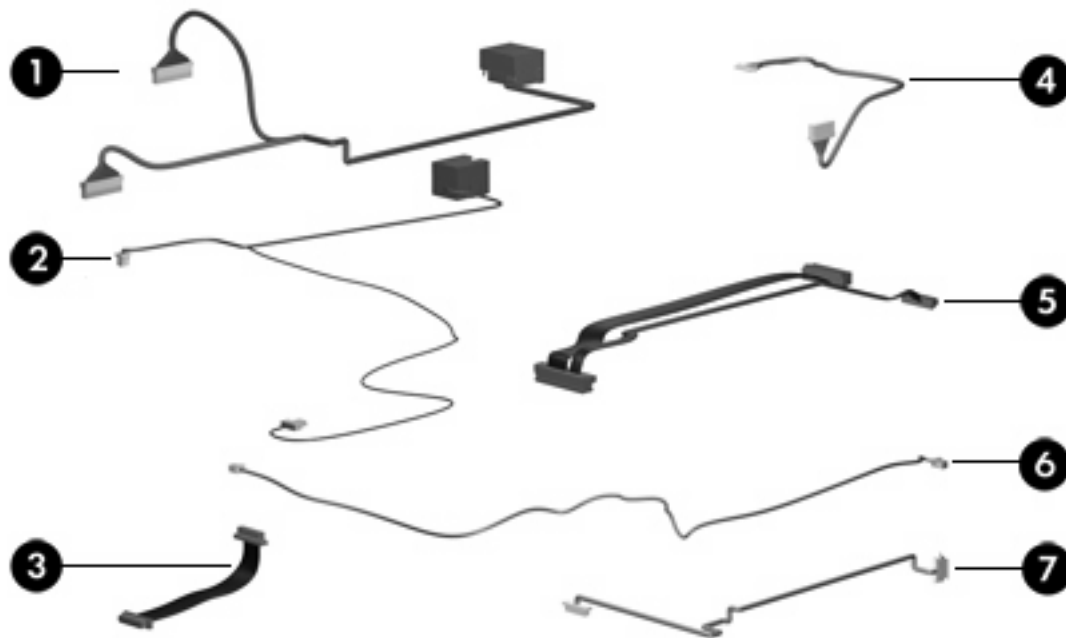


## Plastics Kit



Item	Description	Spare part number
	<b>Plastics Kit:</b>	450585-001
(1)	Memory module/WLAN module compartment cover (includes 3 captive screws, secured by C-clips)	
(2)	Hard drive cover (includes 2 captive screws, secured by C-clips)	
(3)	PC Card slot bezel	

## Cable Kit



Item	Description	Spare part number
	<b>Cable Kit:</b>	450486-001
(1)	RJ-45 jack cable	
(2)	RJ-11 jack cable	
(3)	TouchPad cable	
(4)	Bluetooth module cable	
(5)	USB/audio board cable	
(6)	Microphone extension cable	
(7)	Power button board cable	

# Mass storage devices



Item	Description	Spare part number
<b>(1)</b>	<b>Hard drives</b> (include frame)	
	160-GB, 5400-rpm	450495-001
	120-GB, 7200-rpm	454987-001
	120-GB, 5400-rpm	450494-001
	100-GB, 7200-rpm	450493-001
	80-GB, 7200-rpm	450497-001
	80-GB, 5400-rpm	450496-001
<b>(2)</b>	<b>Optical drives</b> (include bezel)	
	DVD±RW and CD-RW Super Multi Double-Layer Combo Drive with LightScribe	450490-001
	DVD±RW and CD-RW Super Multi Double-Layer Combo Drive	450491-001
	DVD/CD-RW Combo Drive	450492-001
	Blu-ray DVD-RW Drive	450489-001
	DVD-ROM Drive	450488-001

# Miscellaneous parts

Description	Spare part number
<b>AC adapters</b>	
120-W non-PFC AC adapter	452455-001
120-W PFC AC adapter	452456-001
<b>External MultiBay II</b>	366143-001
<b>External MultiBay II power cable and stand</b>	366144-001
<b>HP Extended Life Battery</b>	367456-001

Description	Spare part number
<b>Label Kit</b>	450499-001
<b>MultiBay 8X DVD-ROM Drive</b>	373314-001
<b>MultiBay 24X DVD/CD-RW Combo Drive</b>	373315-001
<b>Nylon carrying case</b>	325814-001
<b>USB 1.1 diskette drive</b>	359118-001
<b>Power cords:</b>	
For use in Australia	246959-011
For use in Brazil	246959-201
For use in Denmark	246959-081
For use in Europe, the Middle East, and Africa	246959-021
For use in Israel	246959-BB1
For use in Italy	246959-061
For use in Japan	246959-291
For use in South Korea	246959-AD1
For use in Switzerland	246959-AG1
For use in the United Kingdom	246959-031
For use the United States	246959-001
<b>Screw Kit</b>	450591-001
<ul style="list-style-type: none"> <li>• Phillips PM2.5×4.0 screw</li> <li>• Phillips PM2.0×10.0 screw</li> <li>• Phillips PM2.0×5.0 captive screw</li> <li>• Phillips PM2.0×5.0 screw</li> <li>• Phillips PM2.0×4.0 screw</li> <li>• Phillips PM2.0×3.0 screw</li> <li>• Phillips PM2.0×2.0 broad-head screw</li> <li>• Phillips PM2.0×2.0 screw</li> <li>• Phillips PM1.5×3.0 screw</li> <li>• Torx T8M2.5×7.0 screw</li> <li>• Torx T8M2.5×4.0 screw</li> <li>• Torx T6M2.0×5.0 screw</li> </ul>	

# Sequential part number listing

Spare part number	Description
246959-001	Power cord (3-wire) for use in North America
246959-011	Power cord (3-wire) for use in Australia
246959-021	Power cord (3-wire) for use in Europe, the Middle East, and Africa
246959-031	Power cord (3-wire) for use in the United Kingdom
246959-061	Power cord (3-wire) for use in Italy
246959-081	Power cord (3-wire) for use in Denmark
246959-201	Power cord (3-wire) for use in Norway
246959-291	Power cord (3-wire) for use in Japan
246959-AD1	Power cord (3-wire) for use in South Korea
246959-AG1	Power cord (3-wire) for use in Switzerland
246959-BB1	Power cord (3-wire) for use in Israel
325814-001	Nylon carrying case
359118-001	USB 1.1 diskette drive
366143-001	External MultiBay II
366144-001	External MultiBay II power cable and stand
367456-001	HP Extended Life Battery
373314-001	MultiBay 8X DVD-ROM Drive
373315-001	MultiBay 24X DVD/CD-RW Combo Drive
441075-001	Broadcom 802.11a/b/g WLAN module for use in Canada, Cayman Islands, Guam, Puerto Rico, the U.S. Virgin Islands, and the United States
441075-002	Broadcom 802.11a/b/g WLAN module for use in Afghanistan, Albania, Algeria, Andorra, Angola, Antigua and Barbuda, Argentina, Armenia, Aruba, Australia, Austria, Azerbaijan, the Bahamas, Bahrain, Bangladesh, Barbados, Belarus, Belgium, Belize, Benin, Bermuda, Bhutan, Bolivia, Bosnia and Herzegovina, Botswana, Brazil, the British Virgin Islands, Brunei, Bulgaria, Burkina Faso, Burundi, Cameroon, Cape Verde, the Central African Republic, Chad, Chile, China, Colombia, Comoros, the Congo, Costa Rica, Croatia, Cyprus, the Czech Republic, Denmark, Djibouti, Dominica, the Dominican Republic, East Timor, Ecuador, Egypt, El Salvador, Equatorial Guinea, Eritrea, Estonia, Ethiopia, Fiji, Finland, France, French Guiana, Gabon, Gambia, Georgia, Germany, Ghana, Gibraltar, Greece, Grenada, Guadeloupe, Guatemala, Guinea, Guinea-Bissau, Guyana, Haiti, Honduras, Hong Kong, Hungary, Iceland, India, Ireland, Israel, Italy, the Ivory Coast, Jamaica, Jordan, Kazakhstan, Kenya, Kiribati, Kyrgyzstan, Laos, Latvia, Lebanon, Lesotho, Liberia, Liechtenstein, Lithuania, Luxembourg, Macedonia, Madagascar, Malawi, Malaysia, the Maldives, Mali, Malta, the Marshall Islands, Martinique, Mauritania, Mauritius, Mexico, Micronesia, Monaco, Mongolia, Montenegro, Morocco, Mozambique, Namibia, Nauru, Nepal, the Nether Antilles, the Netherlands, New Zealand, Nicaragua, Niger, Nigeria, Norway, Oman, Pakistan, Palau, Panama, Papua New Guinea, Paraguay, Peru, the Philippines, Poland, Portugal, the Republic of Moldova, Romania, Russia, Rwanda, Samoa, San Marino, Sao Tome & Principe, Saudi Arabia, Senegal, Serbia and Montenegro, the Seychelles, Sierra Leone, Singapore, Slovakia, Slovenia, the Solomon Islands, Somalia, South Africa, South Korea, Spain, Sri Lanka, St. Kitts & Nevis, St. Lucia, St. Vincent & Grenada, Suriname, Swaziland, Sweden, Switzerland, Taiwan, Tajikistan, Tanzania, Togo, Tonga, Trinidad and Tobago, Tunisia, Turkey, Turkmenistan, Tuvalu, Uganda, Ukraine, the United Arab Emirates, the United Kingdom, Uruguay, Uzbekistan, Vanuatu, Venezuela, Vietnam, Yemen, Zaire, Zambia, and Zimbabwe
441075-291	Broadcom 802.11a/b/g WLAN module for use in Japan

Spare part number	Description
441082-001	Intel 802.11a/b/g WLAN module for use in Antigua & Barbuda, Argentina, Aruba, the Bahamas, Barbados, Bermuda, Brunei, Canada, the Cayman Islands, Chile, Colombia, Costa Rica, the Dominican Republic, Ecuador, El Salvador, Guam, Guatemala, Haiti, Honduras, Hong Kong, India, Indonesia, Malaysia, Mexico, Panama, Paraguay, Peru, Saudi Arabia, Taiwan, the United States, Uruguay, Venezuela, and Vietnam
441082-002	Intel 802.11a/b/g WLAN module for use in Austria, Azerbaijan, Bahrain, Belgium, Brazil, Bulgaria, Croatia, Cyprus, the Czech Republic, Denmark, Egypt, Estonia, Finland, France, Georgia, Germany, Greece, Hungary, Iceland, Ireland, Israel, Italy, Latvia, Lebanon, Liechtenstein, Lithuania, Luxembourg, Malta, Monaco, the Netherlands, Norway, Oman, the Philippines, Poland, Portugal, Qatar, Romania, Russia, Serbia and Montenegro, Singapore, Slovakia, Slovenia, South Africa, Spain, Sri Lanka, Sweden, Switzerland, Turkey, Ukraine, the United Kingdom, and Uzbekistan
441082-003	Intel 802.11a/b/g WLAN module for use in Australia, New Zealand, Pakistan, the People's Republic of China, and South Korea
441082-291	Intel 802.11a/b/g WLAN module for use in Japan
441086-001	Intel 802.11a/b/g/n WLAN module for use in Antigua and Barbuda, Argentina, Aruba, the Bahamas, Barbados, Bermuda, Brunei, Canada, the Cayman Islands, Chile, Colombia, Costa Rica, the Dominican Republic, Ecuador, El Salvador, Guam, Guatemala, Haiti, Honduras, Hong Kong, India, Indonesia, Malaysia, Mexico, Panama, Paraguay, Peru, Saudi Arabia, Taiwan, Uruguay, the United States, Venezuela, and Vietnam
441086-002	Intel 802.11a/b/g/n WLAN module for use in Austria, Azerbaijan, Bahrain, Belgium, Brazil, Bulgaria, Croatia, Cyprus, the Czech Republic, Denmark, Egypt, Estonia, Finland, France, Georgia, Germany, Greece, Hungary, Iceland, Ireland, Israel, Italy, Latvia, Lebanon, Liechtenstein, Lithuania, Luxembourg, Malta, Monaco, the Netherlands, Norway, Oman, the Philippines, Poland, Portugal, Qatar, Romania, Russia, Serbia and Montenegro, Singapore, Slovakia, Slovenia, South Africa, Spain, Sri Lanka, Sweden, Switzerland, Turkey, Ukraine, the United Kingdom, and Uzbekistan
441086-003	Intel 802.11a/b/g/n WLAN module for use in Australia, New Zealand, Pakistan, the People's Republic of China, and South Korea
441086-291	Intel 802.11a/b/g/n WLAN module for use in Japan
441090-001	Broadcom 802.11b/g WLAN module for use in Canada, the Cayman Islands, Guam, Puerto Rico, the U.S. Virgin Islands, and the United States
441090-002	Broadcom 802.11b/g WLAN module for use in Afghanistan, Albania, Algeria, Andorra, Angola, Antigua & Barbuda, Argentina, Armenia, Aruba, Australia, Austria, Azerbaijan, the Bahamas, Bahrain, Bangladesh, Barbados, Belarus, Belgium, Belize, Benin, Bermuda, Bhutan, Bolivia, Bosnia & Herzegovina Botswana, Brazil, the British Virgin Islands, Brunei, Bulgaria, Burkina Faso, Burundi, Cambodia, Cameroon, Cape Verde, the Central African Republic, Chad, Chile, Colombia, Comoros, the Congo, Costa Rica, Croatia, Cyprus, the Czech Republic, Denmark, Djibouti, Dominica, the Dominican Republic, East Timor, Ecuador, Egypt, El Salvador, Equatorial Guinea, Eritrea, Estonia, Ethiopia, Fiji, Finland, France, French Guiana, Gabon, Gambia, Georgia, Germany, Ghana, Gibraltar, Greece, Grenada, Guadeloupe, Guatemala, Guinea, Guinea-Bissa, Guyana, Haiti, Honduras, Hong Kong, Hungary, Iceland, India, Indonesia, Ireland, Israel, Italy, the Ivory Coast, Jamaica, Jordan, Kazakhstan, Kenya, Kiribati, Kuwait, Kyrgyzstan, Laos, Latvia, Lebanon, Lesotho, Liberia, Liechtenstein, Lithuania, Luxembourg, Macedonia, Madagascar, Malawi, Malaysia, the Maldives, Mali, Malta, the Marshall Islands, Martinique, Mauritania, Mauritius, Mexico, Micronesia, Monaco, Mongolia, Montenegro, Morocco, Mozambique, Namibia, Nauru, Nepal, the Nether Antilles, the Netherlands, New Zealand, Nicaragua, Niger, Nigeria, Norway, Oman, Palau, Panama, Papua New Guinea, Paraguay, the People's Republic of China, Peru, the Philippines, Poland, Portugal, Qatar, the Republic of Moldova, Romania, Russia, Rwanda, Samoa, San Marino, Sao Tome & Principe, Saudi Arabia, Senegal, Serbia and Montenegro, the Seychelles, Sierra Leone, Singapore, Slovakia, Slovenia, the Solomon Islands, Somalia, South Africa, South Korea, Spain, Sri Lanka, St. Kitts & Nevis, St. Lucia, St. Vincent & Grenada, Suriname, Swaziland, Sweden, Switzerland, Taiwan, Tajikistan, Tanzania, Thailand, Togo, Tonga, Trinidad & Tobago, Tunisia, Turkey, Turkmenistan, Tuvalu, Uganda, Ukraine, the United Arab Emirates, the United Kingdom, Uruguay, Uzbekistan, Vanuatu, Venezuela, Vietnam, Yemen, Zaire, Zambia, and Zimbabwe
441090-291	Broadcom 802.11b/g WLAN module for use in Japan
443899-001	Modem module

<b>Spare part number</b>	<b>Description</b>
448675-004	Intel 802.11b/g WLAN module for use in Japan
450471-001	Keyboard with pointing stick for use in the United States (includes keyboard and pointing stick cable)
450471-021	Keyboard with pointing stick for use in Europe (includes keyboard and pointing stick cable)
450471-031	Keyboard with pointing stick for use in the United Kingdom (includes keyboard and pointing stick cable)
450471-041	Keyboard with pointing stick for use in Germany (includes keyboard and pointing stick cable)
450471-051	Keyboard with pointing stick for use in France (includes keyboard and pointing stick cable)
450471-061	Keyboard with pointing stick for use in Italy (includes keyboard and pointing stick cable)
450471-071	Keyboard with pointing stick for use in Spain (includes keyboard and pointing stick cable)
450471-081	Keyboard with pointing stick for use in Denmark (includes keyboard and pointing stick cable)
450471-091	Keyboard with pointing stick for use in Norway (includes keyboard and pointing stick cable)
450471-111	Keyboard with pointing stick for use in Switzerland (includes keyboard and pointing stick cable)
450471-121	Keyboard with pointing stick for use in French Canada (includes keyboard and pointing stick cable)
450471-131	Keyboard with pointing stick for use in Portugal (includes keyboard and pointing stick cable)
450471-141	Keyboard with pointing stick for use in Turkey (includes keyboard and pointing stick cable)
450471-151	Keyboard with pointing stick for use in Greece (includes keyboard and pointing stick cable)
450471-161	Keyboard with pointing stick for use in Latin America (includes keyboard and pointing stick cable)
450471-171	Keyboard with pointing stick for use in Saudi Arabia (includes keyboard and pointing stick cable)
450471-201	Keyboard with pointing stick for use in Brazil (includes keyboard and pointing stick cable)
450471-211	Keyboard with pointing stick for use in Hungary (includes keyboard and pointing stick cable)
450471-221	Keyboard with pointing stick for use in the Czech Republic (includes keyboard and pointing stick cable)
450471-231	Keyboard with pointing stick for use in Slovakia (includes keyboard and pointing stick cable)
450471-251	Keyboard with pointing stick for use in Russia (includes keyboard and pointing stick cable)
450471-281	Keyboard with pointing stick for use in Thailand (includes keyboard and pointing stick cable)
450471-291	Keyboard with pointing stick for use in Japan (includes keyboard and pointing stick cable)
450471-A41	Keyboard with pointing stick for use in Belgium (includes keyboard and pointing stick cable)
450471-AB1	Keyboard with pointing stick for use in Taiwan (includes keyboard and pointing stick cable)
450471-AD1	Keyboard with pointing stick for use in South Korea (includes keyboard and pointing stick cable)
450471-B71	Keyboard with pointing stick for use in Sweden and Finland (includes keyboard and pointing stick cable)
450471-BA1	Keyboard with pointing stick for use in Slovenia (includes keyboard and pointing stick cable)
450471-BB1	Keyboard with pointing stick for use in Israel (includes keyboard and pointing stick cable)
450471-BG1	Keyboard with pointing stick for use in Switzerland (includes keyboard and pointing stick cable)
450471-DD1	Keyboard with pointing stick for use in Iceland (includes keyboard and pointing stick cable)
450472-001	Keyboard without pointing stick for use in the United States (includes keyboard cable)
450472-021	Keyboard without pointing stick for use in Europe (includes keyboard cable)

<b>Spare part number</b>	<b>Description</b>
450472-031	Keyboard without pointing stick for use in the United Kingdom (includes keyboard cable)
450472-041	Keyboard without pointing stick for use in Germany (includes keyboard cable)
450472-051	Keyboard without pointing stick for use in France (includes keyboard cable)
450472-061	Keyboard without pointing stick for use in Italy (includes keyboard cable)
450472-071	Keyboard without pointing stick for use in Spain (includes keyboard cable)
450472-081	Keyboard without pointing stick for use in Denmark (includes keyboard cable)
450472-091	Keyboard without pointing stick for use in Norway (includes keyboard cable)
450472-111	Keyboard without pointing stick for use in Switzerland (includes keyboard cable)
450472-121	Keyboard without pointing stick for use in French Canada (includes keyboard cable)
450472-131	Keyboard without pointing stick for use in Portugal (includes keyboard cable)
450472-141	Keyboard without pointing stick for use in Turkey (includes keyboard cable)
450472-151	Keyboard without pointing stick for use in Greece (includes keyboard cable)
450472-161	Keyboard without pointing stick for use in Latin America (includes keyboard cable)
450472-171	Keyboard without pointing stick for use in Saudi Arabia (includes keyboard cable)
450472-201	Keyboard without pointing stick for use in Brazil (includes keyboard cable)
450472-211	Keyboard without pointing stick for use in Hungary (includes keyboard cable)
450472-221	Keyboard without pointing stick for use in the Czech Republic (includes keyboard cable)
450472-231	Keyboard without pointing stick for use in Slovakia (includes keyboard cable)
450472-251	Keyboard without pointing stick for use in Russia (includes keyboard cable)
450472-281	Keyboard without pointing stick for use in Thailand (includes keyboard cable)
450472-291	Keyboard without pointing stick for use in Japan (includes keyboard cable)
450472-A41	Keyboard without pointing stick for use in Belgium (includes keyboard cable)
450472-AB1	Keyboard without pointing stick for use in Taiwan (includes keyboard cable)
450472-AD1	Keyboard without pointing stick for use in South Korea (includes keyboard cable)
450472-B71	Keyboard without pointing stick for use in Sweden (includes keyboard cable)
450472-BA1	Keyboard without pointing stick for use in Slovenia (includes keyboard cable)
450472-BB1	Keyboard without pointing stick for use in Israel (includes keyboard cable)
450472-DD1	Keyboard without pointing stick for use in Iceland (includes keyboard cable)
450475-001	Wireless Antenna Kit (includes 3 WLAN antenna transceivers and cables)
450476-001	Base enclosure (includes rubber computer feet)
450477-001	8-cell, 5.1-Ah battery
450478-001	RTC battery
450479-001	Switch cover (includes LED board and cable)
450480-001	Ambient light sensor board



<b>Spare part number</b>	<b>Description</b>
450481-001	Power button board (includes cable)
450482-001	System board (includes replacement thermal material)
450483-001	USB/audio board (includes 2-into-1 USB board cable and audio board cable)
450484-001	Graphics card for use only with HP Compaq 8710p computer models (nVidia NB8P-NVS2 with 256 MB of graphics subsystem memory operating at 700 MHz, supporting TurboCache; includes replacement thermal material)
450485-001	Bluetooth module (includes Bluetooth module cable)
450486-001	Cable Kit (see <a href="#">Cable Kit on page 26</a> for more Cable Kit spare part information)
450488-001	DVD-ROM Drive
450489-001	Blu-ray DVD-RW Drive
450490-001	DVD±RW and CD-RW Super Multi Double-Layer Combo Drive with LightScribe
450491-001	DVD±RW and CD-RW Super Multi Double-Layer Combo Drive
450492-001	DVD/CD-RW Combo Drive
450493-001	100-GB, 7200-rpm hard drive
450494-001	120-GB, 5400-rpm hard drive
450495-001	160-GB, 5400-rpm hard drive
450496-001	80-GB, 5400-rpm hard drive
450497-001	80-GB, 7200-rpm hard drive
450498-001	Display inverter
450499-001	Label Kit
450500-001	Display bezel
450570-001	Display Bracket Kit (includes left and right display hinges)
450571-001	Display cable
450572-001	Display enclosure (includes 3 WLAN antenna transceivers and cables)
450573-001	Display Rubber Kit (includes display bezel rubber screw covers)
450574-001	Display Screw Kit
450575-001	1024-MB memory module (PC-5300, 667-GHz, DDR2)
450576-001	2048-MB memory module (PC-5300, 667-GHz, DDR2)
450577-001	512-MB memory module (PC-5300, 667-GHz, DDR2)
450578-001	Microphone extension cable
450580-001	17.0-inch, WSXGA+ WVA AntiGlare display assembly (includes 3 WLAN antenna transceivers and cables)
450581-001	17.0-inch, WSXGA+ WVA BrightView display assembly (includes 3 WLAN antenna transceivers and cables)
450582-001	17.0-inch, WUXGA+ WVA AntiGlare display assembly (includes 3 WLAN antenna transceivers and cables)
450583-001	17.0-inch, WXGA+ AntiGlare display assembly (includes 3 WLAN antenna transceivers and cables)

<b>Spare part number</b>	<b>Description</b>
450584-001	PC Card assembly
450585-001	Plastics Kit (see <a href="#">Plastics Kit on page 25</a> for more Plastics Kit spare part information)
450586-001	Intel Core 2 Duo T7100 1.8-GHz processor (2-MB L2 cache, 800-MHz FSB; includes replacement thermal material)
450587-001	Intel Core 2 Duo T7300 2.0-GHz processor (4-MB L2 cache, 800-MHz FSB; includes replacement thermal material)
450588-001	Intel Core 2 Duo T7500 2.2-GHz processor (4-MB L2 cache, 800-MHz FSB; includes replacement thermal material)
450589-001	Intel Core 2 Duo T7700 2.4-GHz processor (4-MB L2 cache, 800-MHz FSB; includes replacement thermal material)
450590-001	Rubber Kit (includes base enclosure rubber feet)
450591-001	Screw Kit
450592-001	Speaker assembly
450593-001	Processor heat sink (includes replacement thermal material)
450594-001	Fan/heat sink assembly (includes replacement thermal material)
450595-001	Top cover for use with 8710p computer models (includes fingerprint reader board and cable)
450596-001	TouchPad with 2 TouchPad buttons (for use with keyboards without a pointing stick; includes TouchPad cable)
450597-001	TouchPad with 3 pointing stick buttons and 3 TouchPad buttons (for use with keyboards with a pointing stick; includes TouchPad cable)
451377-001	Graphics card for use only with HP Compaq 8710w computer models (nVidia NB8E-GLM with 512 MB graphics subsystem memory operating at 800 MHz; includes replacement thermal material)
451379-001	Top cover for use with 8710w computer models (includes fingerprint reader board and cable)
452455-001	120-W non-PFC AC adapter
452456-001	120-W PFC AC adapter
454987-001	120-GB, 7200-rpm hard drive

---

# 4 Removal and replacement procedures

## Preliminary replacement requirements

### Tools required


You will need the following tools to complete the removal and replacement procedures:

- Flat-bladed screwdriver
- Magnetic screwdriver
- Phillips P0 and P1 screwdrivers
- Torx T8 screwdriver

### Service considerations

The following sections include some of the considerations that you must keep in mind during disassembly and assembly procedures.

---

 **NOTE:** As you remove each subassembly from the computer, place the subassembly (and all accompanying screws) away from the work area to prevent damage.

---

### Plastic parts

Using excessive force during disassembly and reassembly can damage plastic parts. Use care when handling the plastic parts. Apply pressure only at the points designated in the maintenance instructions.

## Cables and pointing stick connectors

- 
- △ **CAUTION:** When servicing the computer, be sure that cables are placed in their proper locations during the reassembly process. Improper cable placement can damage the computer.
- 

Cables must be handled with extreme care to avoid damage. Apply only the tension required to unseat or seat the cables during removal and insertion. Handle cables by the connector whenever possible. In all cases, avoid bending, twisting, or tearing cables. Be sure that cables are routed in such a way that they cannot be caught or snagged by parts being removed or replaced. Handle flex cables with extreme care; these cables tear easily.

## Drive handling

- 
- △ **CAUTION:** Drives are fragile components that must be handled with care. To prevent damage to the computer, damage to a drive, or loss of information, observe these precautions:
- 

Before removing or inserting a hard drive, shut down the computer. If you are unsure whether the computer is off or in Hibernation, turn the computer on, and then shut it down through the operating system.

Before handling a drive, be sure that you are discharged of static electricity. While handling a drive, avoid touching the connector.

Before removing a diskette drive or optical drive, be sure that a diskette or disc is not in the drive and be sure that the optical drive tray is closed.

Handle drives on surfaces covered with at least one inch of shock-proof foam.

Avoid dropping drives from any height onto any surface.

After removing a hard drive, an optical drive, or a diskette drive, place it in a static-proof bag.

Avoid exposing a hard drive to products that have magnetic fields, such as monitors or speakers.

Avoid exposing a drive to temperature extremes or liquids.

If a drive must be mailed, place the drive in a bubble pack mailer or other suitable form of protective packaging and label the package "FRAGILE."

---

# Grounding guidelines

## Electrostatic discharge damage

Electronic components are sensitive to electrostatic discharge (ESD). Circuitry design and structure determine the degree of sensitivity. Networks built into many integrated and pointing stick circuits provide some protection, but in many cases, ESD contains enough power to alter device parameters or melt silicon junctions.

A discharge of static electricity from a finger or other conductor can destroy static-sensitive devices or microcircuitry. Even if the spark is neither felt nor heard, damage may have occurred.

An electronic device exposed to ESD may not be affected at all and and pointing stick can work perfectly throughout a normal cycle. Or the device may function normally for a while, then degrade in the internal layers, reducing its life expectancy.

△ **CAUTION:** To prevent damage to the computer when you are removing or installing internal components, observe these precautions:

Keep components in their electrostatic-safe containers until you are ready to install them.

Use nonmagnetic tools.

Before touching an electronic component, discharge static electricity by using the guidelines described in this section.

Avoid touching pins, leads, and pointing stick circuitry. Handle electronic components as little as possible.

If you remove a component, place it in an electrostatic-safe container.

The following table shows how humidity affects the electrostatic voltage levels generated by different activities.

△ **CAUTION:** A product can be degraded by as little as 700 V.

Typical electrostatic voltage levels			
Event	Relative humidity		
	10%	40%	55%
Walking across carpet	35,000 V	15,000 V	7,500 V
Walking across vinyl floor	12,000 V	5,000 V	3,000 V
Motions of bench worker	6,000 V	800 V	400 V
Removing DIPS from plastic tube	2,000 V	700 V	400 V
Removing DIPS from vinyl tray	11,500 V	4,000 V	2,000 V
Removing DIPS from Styrofoam	14,500 V	5,000 V	3,500 V
Removing bubble pack from PCB	26,500 V	20,000 V	7,000 V
Packing PCBs in foam-lined box	21,000 V	11,000 V	5,000 V

## Packaging and transporting guidelines

Follow these grounding guidelines when packaging and transporting equipment:

- To avoid hand and pointing stick contact, transport products in static-safe tubes, bags, or boxes.
- Protect ESD-sensitive parts and assemblies with conductive or approved and pointing stick containers or packaging.
- Keep ESD-sensitive parts in their containers until the parts arrive at static-free workstations.
- Place items on a grounded surface before removing items from their containers.
- Always be properly grounded when touching a component or assembly.
- Store reusable ESD-sensitive parts from assemblies in protective packaging or nonconductive foam.
- Use transporters and pointing stick conveyors made of antistatic belts and roller bushings. Be sure that mechanized equipment used for moving materials is wired to ground and that proper materials are selected to avoid static charging. When grounding is not possible, use an ionizer to dissipate electric charges.

## Workstation guidelines

Follow these grounding workstation guidelines:

- Cover the workstation with approved static-shielding material.
- Use a wrist strap connected to a properly grounded work surface and use properly grounded tools and equipment.
- Use conductive field service tools, such as cutters, screwdrivers, and vacuums.
- When fixtures must directly contact dissipative surfaces, use fixtures made only of static-safe materials.
- Keep the work area free of nonconductive materials, such as ordinary plastic assembly aids and Styrofoam.
- Handle ESD-sensitive components, parts, and assemblies by the case or PCM laminate. Handle these items only at static-free workstations.
- Avoid and pointing stick contact with pins, leads, or circuitry.
- Turn off power and input signals before inserting or removing connectors or test equipment.

## Equipment guidelines

Grounding equipment must include either a wrist strap or a foot strap at a grounded workstation.

- When seated, wear a wrist strap connected to a grounded system. Wrist straps are flexible straps with a minimum of one megohm  $\pm 10\%$  resistance in the ground and pointing stick cords. To provide proper ground, wear a strap snugly against the skin at all times. On grounded mats with banana-plug connectors, use alligator clips to connect a wrist strap.
- When standing, use foot straps and a grounded floor mat. Foot straps (heel, toe, or boot straps) can be used at standing workstations and are compatible with most types of shoes or boots. On conductive floors or dissipative floor mats, use foot straps on both feet with a minimum of one megohm resistance between the operator and ground. To be effective, the conductive strips must be worn in contact with the skin.


The following grounding equipment is recommended to prevent electrostatic damage:

- Antistatic tape
- Antistatic smocks, aprons, and sleeve protectors
- Conductive bins and other assembly or soldering aids
- Nonconductive foam
- Conductive tabletop workstations with ground and pointing stick cords of one megohm resistance
- Static-dissipative tables or floor mats with hard ties to the ground
- Field service kits
- Static awareness labels
- Material-handling packages
- Nonconductive plastic bags, tubes, or boxes
- Metal tote boxes
- Electrostatic voltage levels and protective materials

The following table lists the shielding protection provided by antistatic bags and floor mats.

Material	Use	Voltage protection level
Antistatic plastic	Bags	1,500 V
Carbon-loaded plastic	Floor mats	7,500 V
Metallized laminate	Floor mats	5,000 V

## Unknown user password

 **NOTE:** This process will not work if Stringent Security is enabled in F10 Setup. Stringent Security installs passwords into the ROM so that it is not affected when the RTC battery is removed.

If the computer you are servicing has an unknown user password, follow these steps to clear the password:

 **NOTE:** These steps also clear CMOS.

1. Shut down the computer. If you are unsure whether the computer is off or in Hibernation, turn the computer on, and then shut it down through the operating system.
2. Disconnect all external devices connected to the computer.
3. Disconnect the power from the computer by first unplugging the power cord from the AC outlet and then unplugging the AC adapter from the computer.
4. Remove the battery (see [Battery on page 42](#)).
5. Remove the real-time clock (RTC) battery (see [RTC battery on page 54](#)).
6. Wait approximately 5 minutes.
7. Replace the RTC battery and reassemble the computer.
8. Connect AC power to the computer. Do not reinsert any batteries at this time.
9. Turn on the computer.

All passwords and all CMOS settings have been cleared.



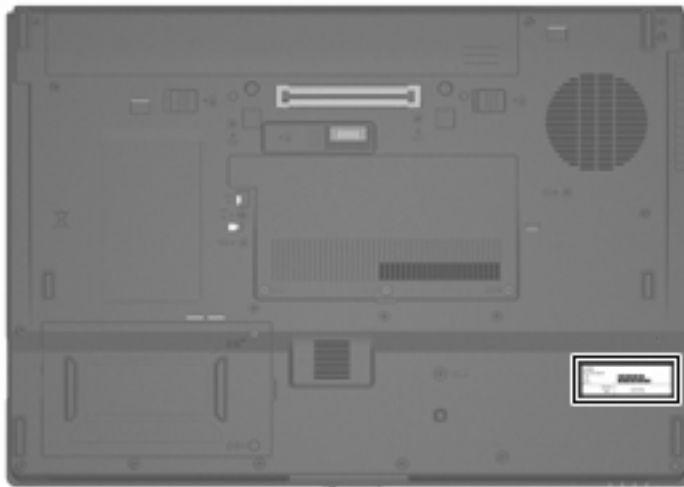
## Component replacement procedures

This chapter provides removal and replacement procedures.

There are as many as 97 screws and screw locks, in 18 different sizes, that must be removed, replaced, or loosened when servicing the computer. Make special note of each screw and screw lock size and location during removal and replacement.

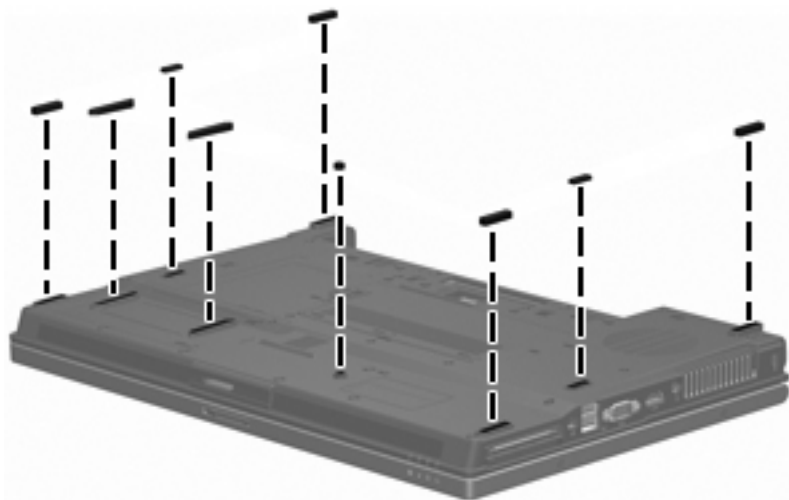
### Serial number

Report the computer serial number to HP when requesting information or ordering spare parts. The serial number is located on the bottom of the computer.



### Computer feet

The computer feet are adhesive-backed rubber pads. The feet are included in the Rubber Kit, spare part number 450590-001. There are 9 rubber feet, in 4 different sizes, that attach to the base enclosure in the locations illustrated below.



## Battery

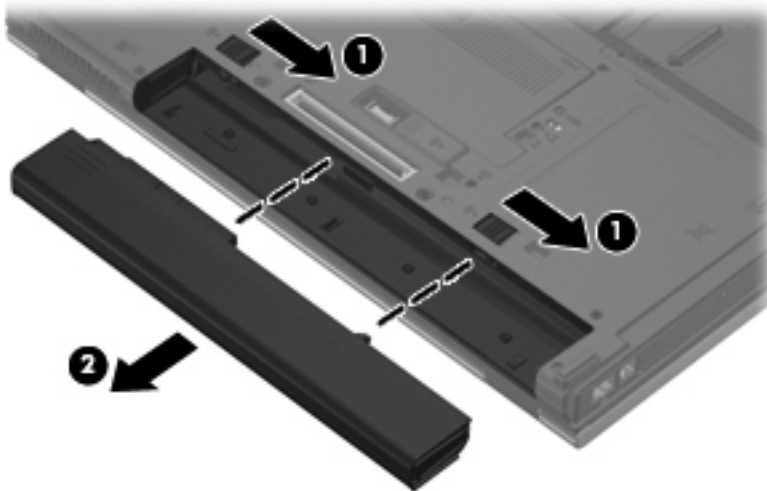
Description	Spare part number
8-cell, 5.1-Ah, Li-ion battery	450477-001

Before disassembling the computer, follow these steps:

1. Shut down the computer. If you are unsure whether the computer is off or in Hibernation, turn the computer on, and then shut it down through the operating system.
2. Disconnect all external devices connected to the computer.
3. Disconnect the power from the computer by first unplugging the power cord from the AC outlet and then unplugging the AC adapter from the computer.


Remove the battery:

1. Turn the computer upside down on a flat surface, with the battery bay toward you.
2. Slide the battery release latches **(1)** to release the battery.
3. Remove the battery **(2)** from the computer.



Install the battery by inserting it into the battery bay until you hear a click.

## Display inverter and ambient light sensor board

 **NOTE:** If it has been determined that the display inverter or the ambient light sensor board are the components that must be replaced to complete the computer repair, the display assembly does not have to be removed. Follow the procedures in this section to replace the display inverter or ambient light sensor board. For information on replacing the display assembly, the display hinges, or the display bezel, see [Display assembly on page 74](#).

Description	Spare part number
Display inverter	450498-001
Ambient light sensor board	450480-001

Before removing the display inverter, follow these steps:

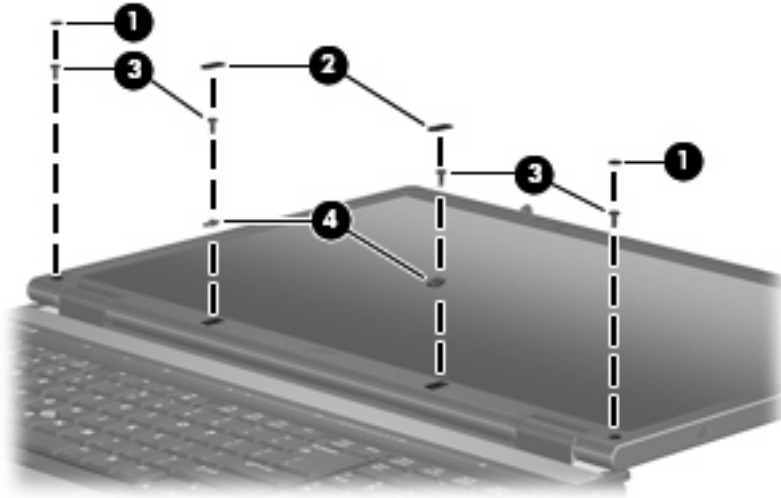
1. Shut down the computer. If you are unsure whether the computer is off or in Hibernation, turn the computer on, and then shut it down through the operating system.
2. Disconnect all external devices connected to the computer.
3. Disconnect the power from the computer by first unplugging the power cord from the AC outlet and then unplugging the AC adapter from the computer.
4. Remove the battery (see [Battery on page 42](#)).

Remove the display inverter:

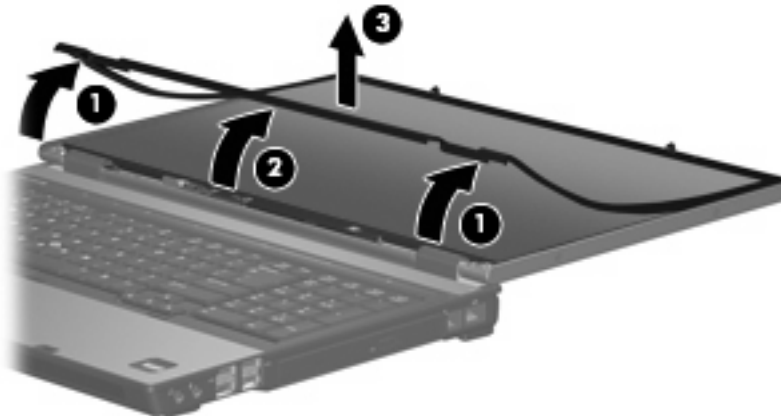
1. Turn the computer right-side up, with the front toward you.
2. Open the computer as far as possible.

3. Remove the screw covers, screws, and stabilizer clips listed below. All rubber screw covers are included in the Display Rubber Kit, spare part number 450573-001.

- (1) Two flat rubber screw covers
- (2) Two small oblong rubber screw covers
- (3) Four Phillips PM2.0x6.0 screws
- (4) Two stabilizer clips

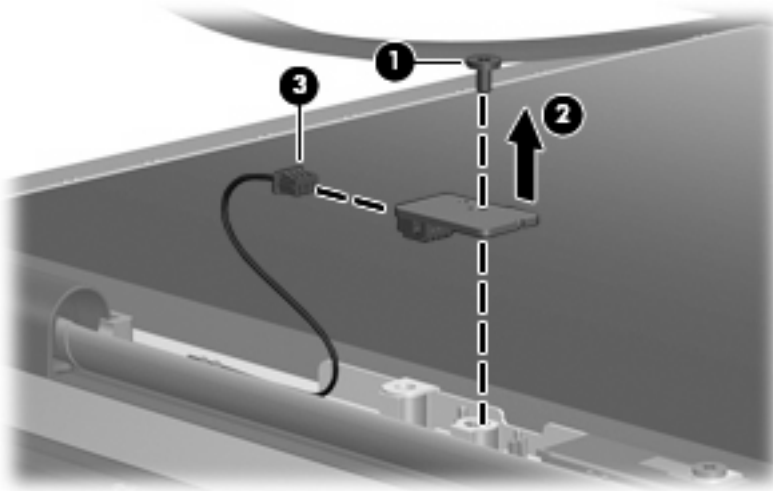


4. Flex the inside edges of the left and right sides (1) and the display bezel bottom edge (2) until the bezel disengages from the display assembly.
5. Release the display bezel bottom edge (3) from the display assembly.

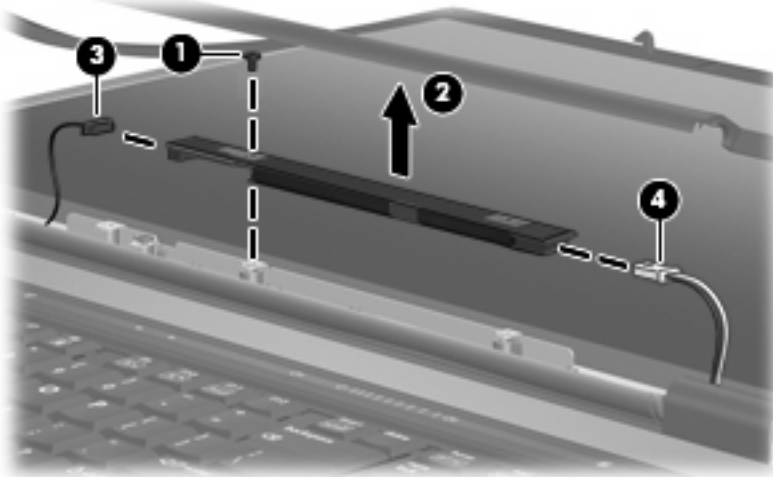


6. Remove the Torx T8M2.5x4.0 screw (1) that secures the ambient light sensor board to the display enclosure.
7. Release the ambient light sensor board (2) from the display enclosure as far as the ambient light sensor board cable allows.

8. Disconnect the ambient light sensor board cable **(3)** from the ambient light sensor board.



9. Remove the Torx T8M2.5×4.0 screw **(1)** that secures the display inverter to the display enclosure.
10. Release the inverter **(2)** from the display enclosure as far as the display panel cable and backlight cable allow.
11. Disconnect the display panel cable **(3)** and the backlight cable **(4)** from the display inverter.



12. Remove the display inverter.

Reverse this procedure to install the display inverter.

## Hard drive

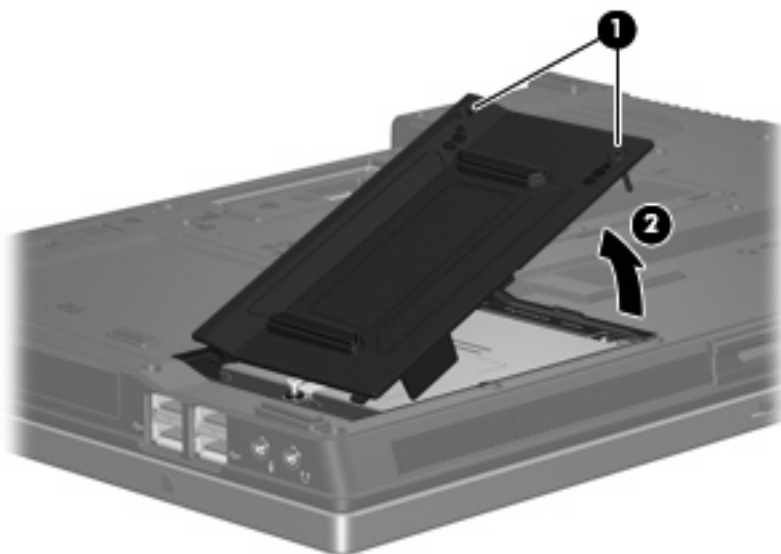
Description	Spare part number
160-GB, 5400-rpm hard drive	450495-001
120-GB, 7200-rpm hard drive	454987-001
120-GB, 5400-rpm hard drive	450494-001
100-GB, 7200-rpm hard drive	450493-001
80-GB, 7200-rpm hard drive	450497-001
80-GB, 5400-rpm hard drive	450496-001

Before disassembling the computer, follow these steps:

1. Shut down the computer. If you are unsure whether the computer is off or in Hibernation, turn the computer on, and then shut it down through the operating system.
2. Disconnect all external devices connected to the computer.
3. Disconnect the power from the computer by first unplugging the power cord from the AC outlet and then unplugging the AC adapter from the computer.
4. Remove the battery (see [Battery on page 42](#)).

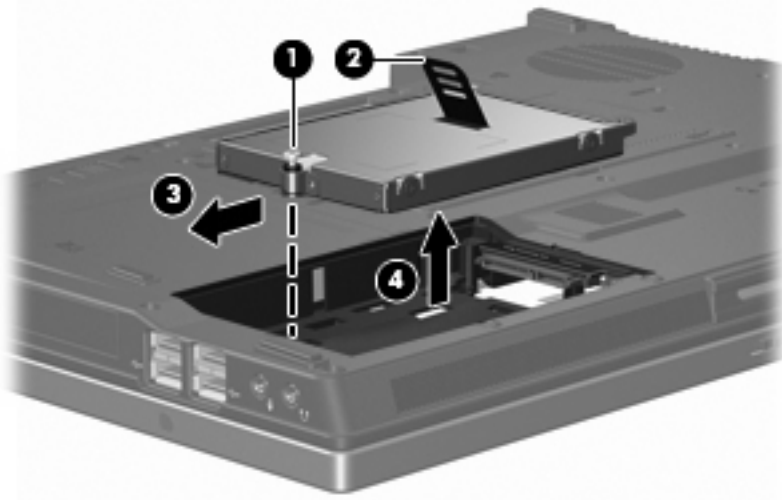
Remove the hard drive:

1. Position the computer with the front toward you.
2. Loosen the two Phillips PM2.0×17.0 captive screws **(1)** that secure the hard drive cover to the computer.
3. Lift the right side of the hard drive cover **(2)**, swing it to left, and remove the cover. The hard drive cover is included in the Plastics Kit, spare part number 450585-001.

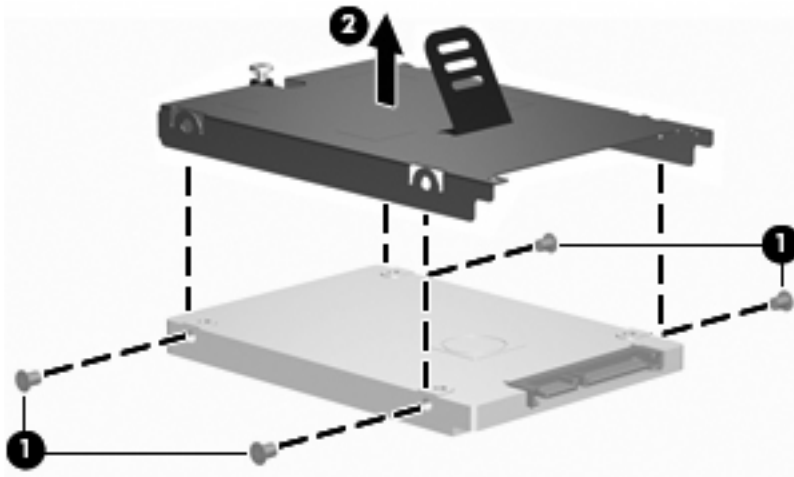


4. Loosen the Phillips PM2.5×13.0 captive screw **(1)** that secures the hard drive to the computer.

5. Grasp the Mylar tab **(2)** on the hard drive and slide the hard drive **(3)** to the left to disconnect it from the system board.
6. Remove the hard drive **(4)** from the hard drive bay.



7. If it is necessary to replace the hard drive bracket, remove the two Phillips PM3.0×4.0 hard drive bracket screws **(1)** from each side of the hard drive.
8. Lift the bracket **(2)** straight up to remove it from the hard drive.



Reverse this procedure to reassemble and install the hard drive.

## Bluetooth module

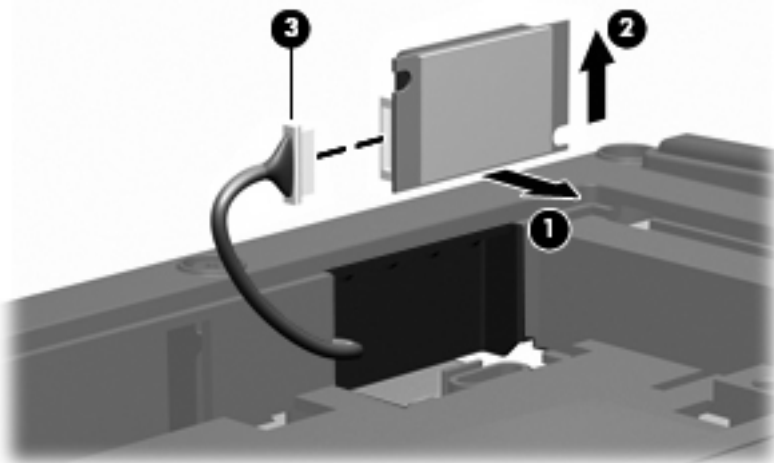
Description	Spare part number
Bluetooth (includes Bluetooth module cable)	450485-001

Before removing the Bluetooth module, follow these steps:

1. Shut down the computer. If you are unsure whether the computer is off or in Hibernation, turn the computer on, and then shut it down through the operating system.
2. Disconnect all external devices connected to the computer.
3. Disconnect the power from the computer by first unplugging the power cord from the AC outlet and then unplugging the AC adapter from the computer.
4. Remove the battery (see [Battery on page 42](#)).
5. Remove the hard drive (see [Hard drive on page 46](#)).

Remove the Bluetooth® module:

1. Position the computer with the rear panel toward you.
2. Release the Bluetooth module **(1)** from the clip in the hard drive bay by sliding it forward.
3. Remove the Bluetooth module **(2)** from the hard drive bay by lifting it straight up.
4. Disconnect the Bluetooth module cable **(3)** from the Bluetooth module.



Reverse this procedure to reassemble and install the Bluetooth module.



## Primary memory module

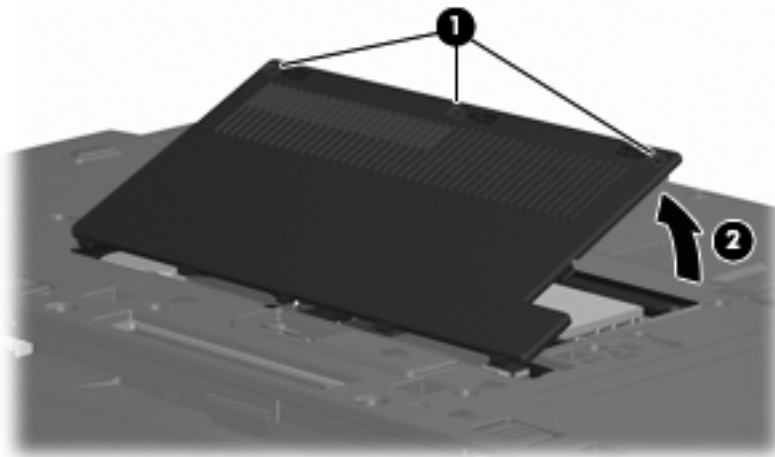
Description	Spare part number
2048-MB (PC2-5300, 667-MHz, DDR2)	450576-001
1024-MB (PC2-5300, 667-MHz, DDR2)	450575-001
512-MB (PC2-5300, 667-MHz, DDR2)	450577-001

Before removing the primary memory module, follow these steps:

1. Shut down the computer. If you are unsure whether the computer is off or in Hibernation, turn the computer on, and then shut it down through the operating system.
2. Disconnect all external devices connected to the computer.
3. Disconnect the power from the computer by first unplugging the power cord from the AC outlet and then unplugging the AC adapter from the computer.
4. Remove the battery (see [Battery on page 42](#)).


Remove the primary memory module:

1. Loosen the three Phillips PM2.5×5.0 captive screws **(1)** that secure the memory module/WLAN module compartment cover to the computer.
2. Lift the front edge of the cover **(2)**, swing it up and forward, and remove the cover. The memory module/WLAN module compartment cover is included in the Plastics Kit, spare part number 450585-001.

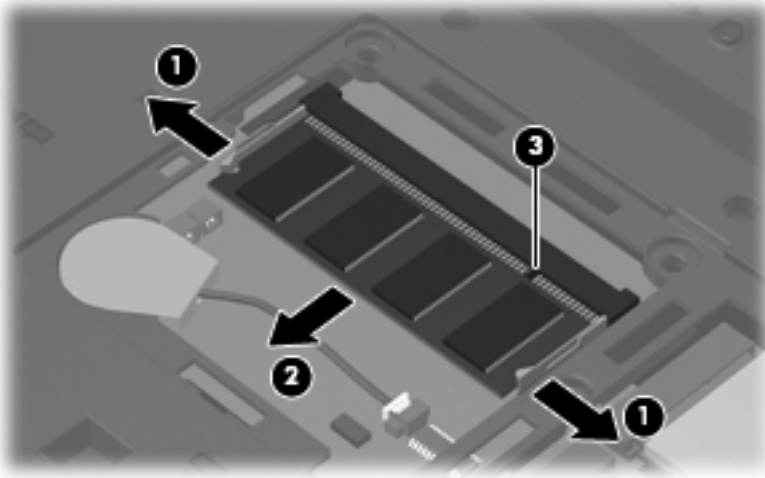


3. Spread the retaining tabs **(1)** on each side of the memory module slot to release the memory module. (The edge of the module opposite the slot rises away from the computer.)

4. Remove the memory module **(2)** by pulling the module away from the slot at an angle.

 **NOTE:** Memory modules are designed with a notch **(3)** to prevent incorrect installation into the memory module slot.

---



Reverse this procedure to install the primary memory module.

## WLAN module

Description	Spare part number
Intel 802.11a/b/g/n WLAN modules:	
<ul style="list-style-type: none"> <li>For use in Antigua and Barbuda, Argentina, Aruba, the Bahamas, Barbados, Bermuda, Brunei, Canada, the Cayman Islands, Chile, Colombia, Costa Rica, the Dominican Republic, Ecuador, El Salvador, Guam, Guatemala, Haiti, Honduras, Hong Kong, India, Indonesia, Malaysia, Mexico, Panama, Paraguay, Peru, Saudi Arabia, Taiwan, Uruguay, the United States, Venezuela, and Vietnam</li> </ul>	441086-001
<ul style="list-style-type: none"> <li>For use in Austria, Azerbaijan, Bahrain, Belgium, Brazil, Bulgaria, Croatia, Cyprus, the Czech Republic, Denmark, Egypt, Estonia, Finland, France, Georgia, Germany, Greece, Hungary, Iceland, Ireland, Israel, Italy, Latvia, Lebanon, Liechtenstein, Lithuania, Luxembourg, Malta, Monaco, the Netherlands, Norway, Oman, the Philippines, Poland, Portugal, Qatar, Romania, Russia, Serbia and Montenegro, Singapore, Slovakia, Slovenia, South Africa, Spain, Sri Lanka, Sweden, Switzerland, Turkey, Ukraine, the United Kingdom, and Uzbekistan</li> </ul>	441086-002
<ul style="list-style-type: none"> <li>For use in Australia, New Zealand, Pakistan, the People's Republic of China, and South Korea</li> </ul>	441086-003
<ul style="list-style-type: none"> <li>For use in Japan</li> </ul>	441086-291
Broadcom 802.11a/b/g WLAN modules:	
<ul style="list-style-type: none"> <li>For use in Canada, Cayman Islands, Guam, Puerto Rico, the U.S. Virgin Islands, and the United States</li> </ul>	441075-001
<ul style="list-style-type: none"> <li>For use in Afghanistan, Albania, Algeria, Andorra, Angola, Antigua and Barbuda, Argentina, Armenia, Aruba, Australia, Austria, Azerbaijan, the Bahamas, Bahrain, Bangladesh, Barbados, Belarus, Belgium, Belize, Benin, Bermuda, Bhutan, Bolivia, Bosnia and Herzegovina, Botswana, Brazil, the British Virgin Islands, Brunei, Bulgaria, Burkina Faso, Burundi, Cameroon, Cape Verde, the Central African Republic, Chad, Chile, China, Colombia, Comoros, the Congo, Costa Rica, Croatia, Cyprus, the Czech Republic, Denmark, Djibouti, Dominica, the Dominican Republic, East Timor, Ecuador, Egypt, El Salvador, Equatorial Guinea, Eritrea, Estonia, Ethiopia, Fiji, Finland, France, French Guiana, Gabon, Gambia, Georgia, Germany, Ghana, Gibraltar, Greece, Grenada, Guadeloupe, Guatemala, Guinea, Guinea-Bissa, Guyana, Haiti, Honduras, Hong Kong, Hungary, Iceland, India, Ireland, Israel, Italy, the Ivory Coast, Jamaica, Jordan, Kazakhstan, Kenya, Kiribati, Kyrgyzstan, Laos, Latvia, Lebanon, Lesotho, Liberia, Liechtenstein, Lithuania, Luxembourg, Macedonia, Madagascar, Malawi, Malaysia, the Maldives, Mali, Malta, the Marshall Islands, Martinique, Mauritania, Mauritius, Mexico, Micronesia, Monaco, Mongolia, Montenegro, Morocco, Mozambique, Namibia, Nauru, Nepal, the Nether Antilles, the Netherlands, New Zealand, Nicaragua, Niger, Nigeria, Norway, Oman, Pakistan, Palau, Panama, Papua New Guinea, Paraguay, Peru, the Philippines, Poland, Portugal, the Republic of Moldova, Romania, Russia, Rwanda, Samoa, San Marino, Sao Tome &amp; Principe, Saudi Arabia, Senegal, Serbia and Montenegro, the Seychelles, Sierra Leone, Singapore, Slovakia, Slovenia, the Solomon Islands, Somalia, South Africa, South Korea, Spain, Sri Lanka, St. Kitts &amp; Nevis, St. Lucia, St. Vincent &amp; Grenada, Suriname, Swaziland, Sweden, Switzerland, Taiwan, Tajikistan, Tanzania, Togo, Tonga, Trinidad and Tobago, Tunisia, Turkey, Turkmenistan, Tuvalu, Uganda, Ukraine, the United Arab Emirates, the United Kingdom, Uruguay, Uzbekistan, Vanuatu, Venezuela, Vietnam, Yemen, Zaire, Zambia, and Zimbabwe</li> </ul>	441075-002
<ul style="list-style-type: none"> <li>For use in Japan</li> </ul>	441075-291
Intel 802.11a/b/g WLAN modules:	
<ul style="list-style-type: none"> <li>For use in Antigua &amp; Barbuda, Argentina, Aruba, the Bahamas, Barbados, Bermuda, Brunei, Canada, the Cayman Islands, Chile, Colombia, Costa Rica, the Dominican Republic, Ecuador, El Salvador, Guam, Guatemala, Haiti, Honduras, Hong Kong, India, Indonesia, Malaysia, Mexico, Panama, Paraguay, Peru, Saudi Arabia, Taiwan, the United States, Uruguay, Venezuela, and Vietnam</li> </ul>	441082-001
<ul style="list-style-type: none"> <li>For use in Austria, Azerbaijan, Bahrain, Belgium, Brazil, Bulgaria, Croatia, Cyprus, the Czech Republic, Denmark, Egypt, Estonia, Finland, France, Georgia, Germany, Greece, Hungary, Iceland, Ireland, Israel, Italy, Latvia, Lebanon, Liechtenstein, Lithuania, Luxembourg, Malta, Monaco, the Netherlands, Norway, Oman, the Philippines, Poland, Portugal, Qatar, Romania,</li> </ul>	441082-002


Description	Spare part number
Russia, Serbia and Montenegro, Singapore, Slovakia, Slovenia, South Africa, Spain, Sri Lanka, Sweden, Switzerland, Turkey, Ukraine, the United Kingdom, and Uzbekistan	
<ul style="list-style-type: none"> <li>For use in Australia, New Zealand, Pakistan, the People's Republic of China, and South Korea</li> </ul>	441082-003
<ul style="list-style-type: none"> <li>For use in Japan</li> </ul>	441082-291
802.11b/g Broadcom WLAN modules:	
<ul style="list-style-type: none"> <li>For use in Canada, the Cayman Islands, Guam, Puerto Rico, the U.S. Virgin Islands, and the United States</li> </ul>	441090-001
<ul style="list-style-type: none"> <li>For use in Afghanistan, Albania, Algeria, Andorra, Angola, Antigua &amp; Barbuda, Argentina, Armenia, Aruba, Australia, Austria, Azerbaijan, the Bahamas, Bahrain, Bangladesh, Barbados, Belarus, Belgium, Belize, Benin, Bermuda, Bhutan, Bolivia, Bosnia &amp; Herzegovina Botswana, Brazil, the British Virgin Islands, Brunei, Bulgaria, Burkina Faso, Burundi, Cambodia, Cameroon, Cape Verde, the Central African Republic, Chad, Chile, Colombia, Comoros, the Congo, Costa Rica, Croatia, Cyprus, the Czech Republic, Denmark, Djibouti, Dominica, the Dominican Republic, East Timor, Ecuador, Egypt, El Salvador, Equatorial Guinea, Eritrea, Estonia, Ethiopia, Fiji, Finland, France, French Guiana, Gabon, Gambia, Georgia, Germany, Ghana, Gibraltar, Greece, Grenada, Guadeloupe, Guatemala, Guinea, Guinea-Bissa, Guyana, Haiti, Honduras, Hong Kong, Hungary, Iceland, India, Indonesia, Ireland, Israel, Italy, the Ivory Coast, Jamaica, Jordan, Kazakhstan, Kenya, Kiribati, Kuwait, Kyrgyzstan, Laos, Latvia, Lebanon, Lesotho, Liberia, Liechtenstein, Lithuania, Luxembourg, Macedonia, Madagascar, Malawi, Malaysia, the Maldives, Mali, Malta, the Marshall Islands, Martinique, Mauritania, Mauritius, Mexico, Micronesia, Monaco, Mongolia, Montenegro, Morocco, Mozambique, Namibia, Nauru, Nepal, the Nether Antilles, the Netherlands, New Zealand, Nicaragua, Niger, Nigeria, Norway, Oman, Palau, Panama, Papua New Guinea, Paraguay, the People's Republic of China, Peru, the Philippines, Poland, Portugal, Qatar, the Republic of Moldova, Romania, Russia, Rwanda, Samoa, San Marino, Sao Tome &amp; Principe, Saudi Arabia, Senegal, Serbia and Montenegro, the Seychelles, Sierra Leone, Singapore, Slovakia, Slovenia, the Solomon Islands, Somalia, South Africa, South Korea, Spain, Sri Lanka, St. Kitts &amp; Nevis, St. Lucia, St. Vincent &amp; Grenada, Suriname, Swaziland, Sweden, Switzerland, Taiwan, Tajikistan, Tanzania, Thailand, Togo, Tonga, Trinidad &amp; Tobago, Tunisia, Turkey, Turkmenistan, Tuvalu, Uganda, Ukraine, the United Arab Emirates, the United Kingdom, Uruguay, Uzbekistan, Vanuatu, Venezuela, Vietnam, Yemen, Zaire, Zambia, and Zimbabwe</li> </ul>	441090-002
<ul style="list-style-type: none"> <li>For use in Japan</li> </ul>	441090-291
802.11b/g Intel WLAN module for use in Thailand	448675-004

Before removing the WLAN module, follow these steps:


1. Shut down the computer. If you are unsure whether the computer is off or in Hibernation, turn the computer on, and then shut it down through the operating system.
2. Disconnect all external devices connected to the computer.
3. Disconnect the power from the computer by first unplugging the power cord from the AC outlet and then unplugging the AC adapter from the computer.
4. Remove the battery (see [Battery on page 42](#)).
5. Remove the memory module/WLAN module compartment cover (see [Primary memory module on page 49](#)).

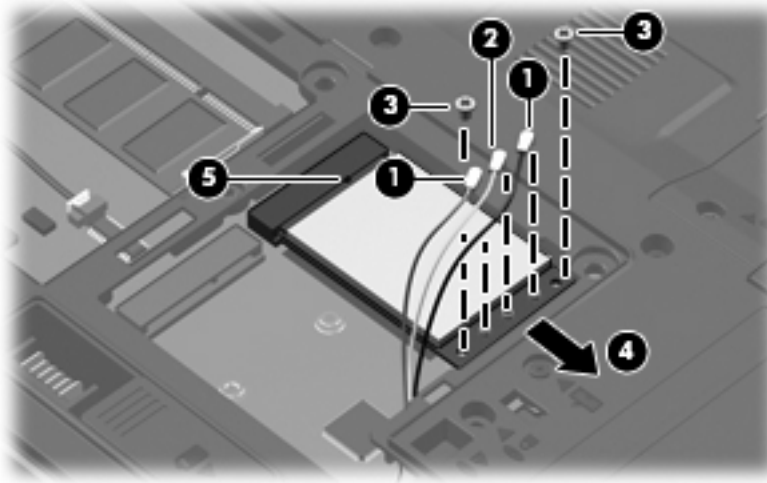
Remove the WLAN module:

1. Disconnect the WLAN antenna cables **(1)** from the terminals on the WLAN module.

 **NOTE:** The black WLAN antenna cable is connected to the WLAN module “Main” terminal. The white WLAN antenna cable is connected to the WLAN module “Aux” terminal. If the computer is equipped with an 802.11a/b/g/n WLAN module, the yellow WLAN antenna cable **(2)** is connected to the middle terminal on the WLAN module.


2. Remove the two Phillips PM2.0×3.0 screws **(3)** that secure the WLAN module to the computer. (The edge of the module opposite the slot rises away from the computer.)
3. Remove the WLAN module **(4)** by pulling the module away from the slot at an angle.

 **NOTE:** WLAN modules are designed with a notch **(5)** to prevent incorrect installation.



Reverse this procedure to install the WLAN module.

## RTC battery

 **NOTE:** Removing the RTC battery and leaving it uninstalled for 5 or more minutes causes all passwords and CMOS settings to be cleared.

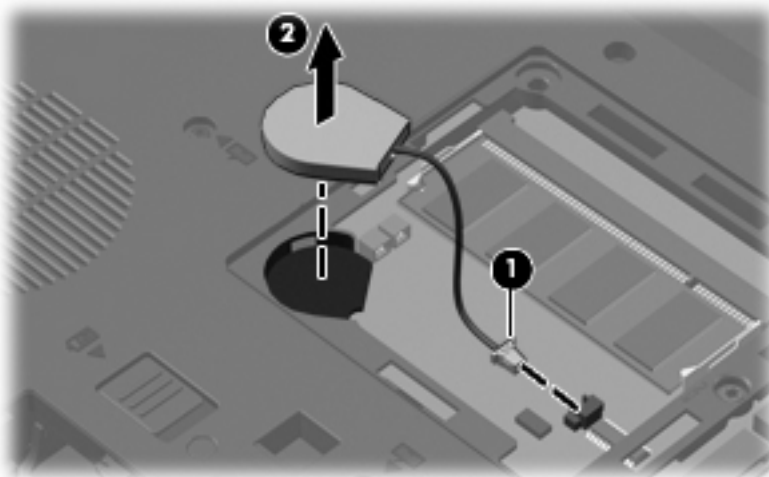
Description	Spare part number
RTC battery	450478-001

Before removing the RTC battery, follow these steps:

1. Shut down the computer. If you are unsure whether the computer is off or in Hibernation, turn the computer on, and then shut it down through the operating system.
2. Disconnect all external devices connected to the computer.
3. Disconnect the power from the computer by first unplugging the power cord from the AC outlet and then unplugging the AC adapter from the computer.
4. Remove the battery (see [Battery on page 42](#)).
5. Remove the memory module/WLAN module compartment cover (see [Primary memory module on page 49](#)).

Remove the RTC battery:

1. Disconnect the RTC battery cable **(1)** from the system board.
2. Remove the RTC battery **(2)** from the clip built into the base enclosure.



Reverse this procedure to install the RTC battery.

## Optical drive

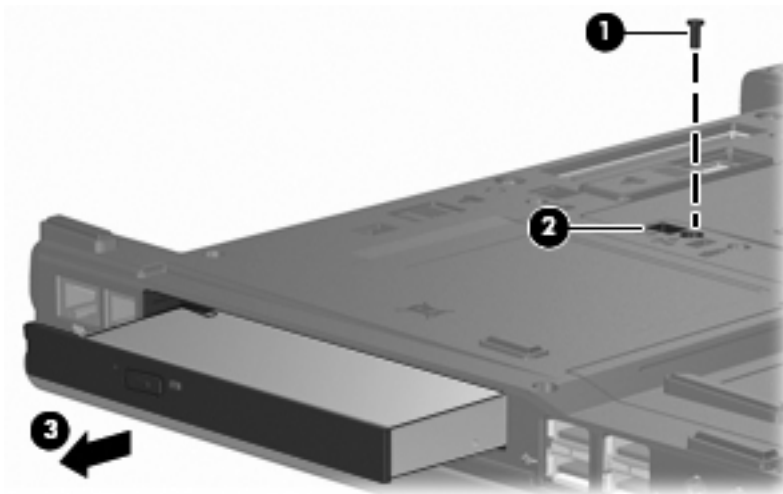
Description	Spare part number
DVD±RW and CD-RW Super Multi Double-Layer Combo Drive with LightScribe	450490-001
DVD±RW and CD-RW Super Multi Double-Layer Combo Drive	450491-001
DVD/CD-RW Combo Drive	450492-001
Blu-ray DVD-RW Drive	450489-001
DVD-ROM Drive	450488-001

Before removing the optical drive, follow these steps:

1. Shut down the computer. If you are unsure whether the computer is off or in Hibernation, turn the computer on, and then shut it down through the operating system.
2. Disconnect all external devices connected to the computer.
3. Disconnect the power from the computer by first unplugging the power cord from the AC outlet and then unplugging the AC adapter from the computer.
4. Remove the battery (see [Battery on page 42](#)).

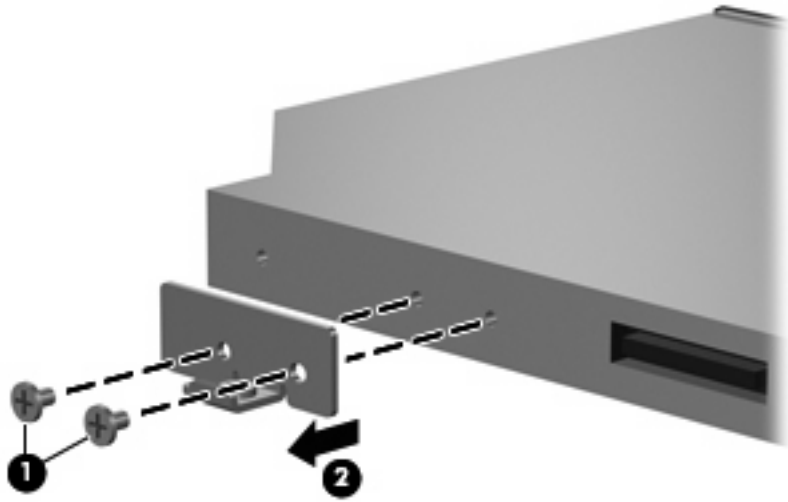
Remove the optical drive:

1. Position the computer with the left side toward you.
2. Remove the Phillips PM2.5×9.0 screw **(1)** that secures the optical drive to the computer.
3. Insert a flat-bladed screwdriver or similar tool into the optical drive tab access **(2)** and press the tab to the left to release the optical drive from the computer.
4. Remove the optical drive **(3)**.



5. If it is necessary to replace the optical drive bracket, position the optical drive with the rear toward you.

6. Remove the two Phillips PM2.0×4.0 screws **(1)** that secure the optical drive bracket to the optical drive.
7. Remove the optical drive bracket **(2)**.



Reverse this procedure to install an optical drive.



# Keyboard

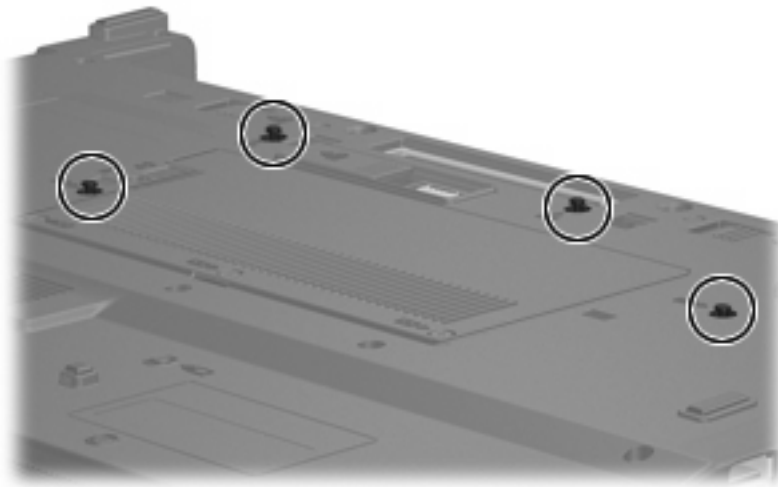
For use in:	Spare part number	For use in:	Spare part number
Keyboards with pointing stick (includes pointing stick cable):			
Belgium	450471-A41	Norway	450471-091
Brazil	450471-201	Portugal	450471-131
The Czech Republic	450471-221	Russia	450471-251
Denmark	450471-081	Saudi Arabia	450471-171
France	450471-051	Slovakia	450471-231
French Canada	450471-121	Slovenia	450471-AD1
Germany	450471-041	South Korea	450471-BA1
Greece	450471-151	Spain	450471-071
Hungary	450471-211	Sweden and Finland	450471-B71
Iceland	450471-DD1	Switzerland	450471-111
Israel	450471-BB1	Taiwan	450471-AB1
Italy	450471-061	Thailand	450471-281
Japan	450471-291	Turkey	450471-141
Latin America	450471-161	The United Kingdom	450471-031
The Netherlands and Europe	450471-021	The United States	450471-001
Keyboards without pointing stick:			
Belgium	450472-A41	Norway	450472-091
Brazil	450472-201	Portugal	450472-131
The Czech Republic	450472-221	Russia	450472-251
Denmark	450472-081	Saudi Arabia	450472-171
France	450472-051	Slovakia	450472-231
French Canada	450472-121	Slovenia	450472-AD1
Germany	450472-041	South Korea	450472-BA1
Greece	450472-151	Spain	450472-071
Hungary	450472-211	Sweden and Finland	450472-B71
Iceland	450472-DD1	Switzerland	450472-111
Israel	450472-BB1	Taiwan	450472-AB1
Italy	450472-061	Thailand	450472-281
Japan	450472-291	Turkey	450472-141
Latin America	450472-161	The United Kingdom	450472-031
The Netherlands and Europe	450472-021	The United States	450472-001

Before removing the keyboard, follow these steps:

1. Shut down the computer. If you are unsure whether the computer is off or in Hibernation, turn the computer on, and then shut it down through the operating system.
2. Disconnect all external devices connected to the computer.
3. Disconnect the power from the computer by first unplugging the power cord from the AC outlet and then unplugging the AC adapter from the computer.
4. Remove the battery (see [Battery on page 42](#)).

Remove the keyboard:

1. Position the computer with the front toward you.
2. Loosen the four Phillips PM2.5×9.0 captive screws that secure the keyboard to the computer.

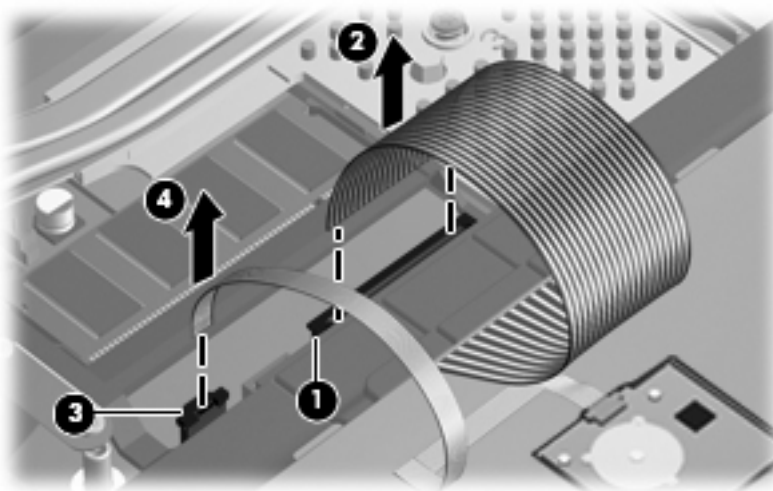


3. Open the computer, and rest it on its right side.

4. Lift the upper left corner of the keyboard **(1)** and swing the left side of the keyboard **(2)** forward.



5. Turn the computer right-side up, with the front toward you.
6. Release the zero insertion force (ZIF) connector **(1)** to which the keyboard cable is attached, and disconnect the keyboard cable **(2)** from the system board.
7. Release the ZIF connector **(3)** to which the pointing stick cable is attached, and disconnect the pointing stick cable **(4)** from the system board.



8. Remove the keyboard.

Reverse this procedure to install the keyboard.

## Expansion memory module


Description	Spare part number
2048-MB (PC2-5300, 667-MHz, DDR2)	450576-001
1024-MB (PC2-5300, 667-MHz, DDR2)	450575-001
512-MB (PC2-5300, 667-MHz, DDR2)	450577-001

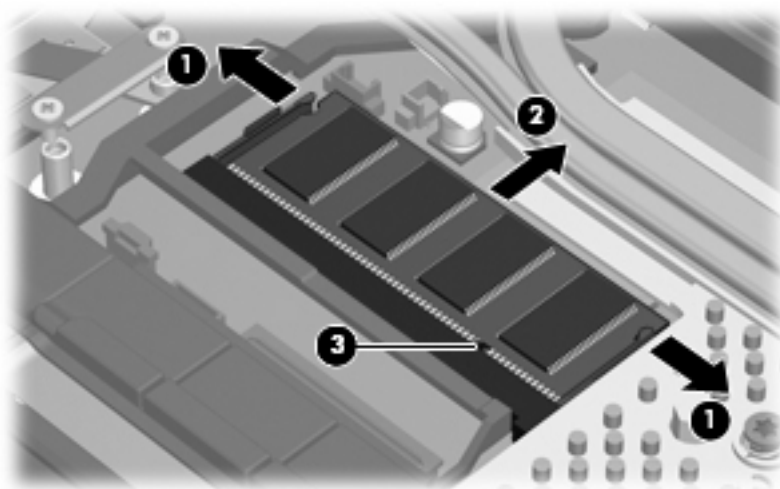
Before removing the expansion memory module, follow these steps:

1. Shut down the computer. If you are unsure whether the computer is off or in Hibernation, turn the computer on, and then shut it down through the operating system.
2. Disconnect all external devices connected to the computer.
3. Disconnect the power from the computer by first unplugging the power cord from the AC outlet and then unplugging the AC adapter from the computer.
4. Remove the battery (see [Battery on page 42](#)).
5. Remove the keyboard (see [Keyboard on page 57](#)).

Remove the expansion memory module:


1. Spread the retaining tabs **(1)** on each side of the memory module slot to release the memory module. (The edge of the module opposite the slot rises away from the computer.)
2. Remove the memory module **(2)** by pulling the module away from the slot at an angle.

 **NOTE:** Memory modules are designed with a notch **(3)** to prevent incorrect installation into the memory module slot.



Reverse this procedure to install the expansion memory module.

## TouchPad

 **NOTE:** All TouchPad spare part kits include a TouchPad cable.

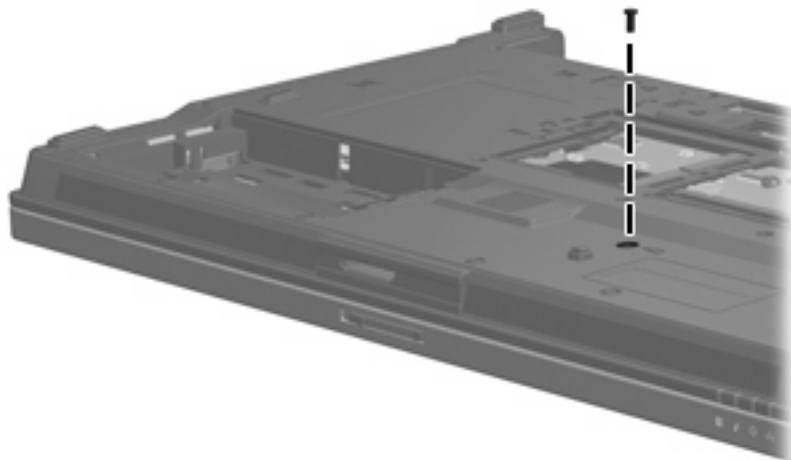
Description	Spare part number
For use with keyboards with a pointing stick, includes 3 pointing stick buttons and 3 TouchPad buttons	450597-001
For use with keyboards without a pointing stick, includes 2 TouchPad buttons	450596-001

Before removing the TouchPad, follow these steps:

1. Shut down the computer. If you are unsure whether the computer is off or in Hibernation, turn the computer on, and then shut it down through the operating system.
2. Disconnect all external devices connected to the computer.
3. Disconnect the power from the computer by first unplugging the power cord from the AC outlet and then unplugging the AC adapter from the computer.
4. Remove the battery (see [Battery on page 42](#)).
5. Remove the keyboard (see [Keyboard on page 57](#)).

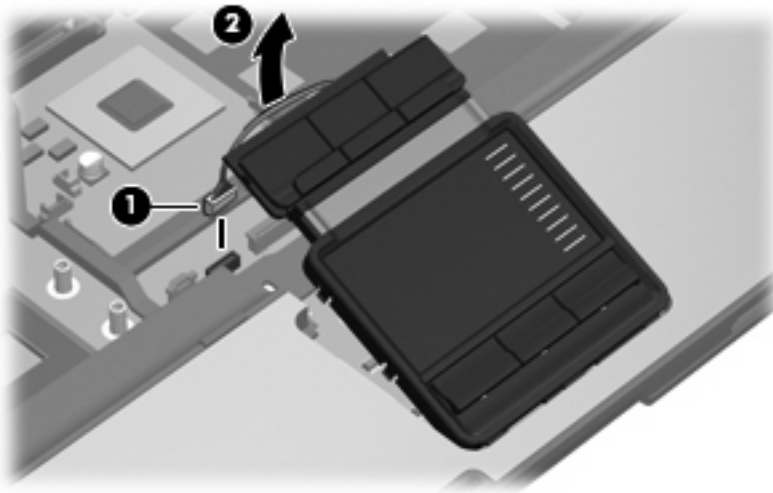
Remove the TouchPad:

1. Turn the computer upside down, with the front toward you.
2. Remove the Torx T8M2.5×9.0 screw that secures the TouchPad to the computer.



3. Turn the computer right-side up, with the front toward you.
4. Disconnect the TouchPad cable **(1)** from the system board.

5. Lift the rear edge of the TouchPad **(2)** until it disengages from the top cover.



6. Remove the TouchPad.

Reverse this procedure to install the TouchPad.

## Modem module

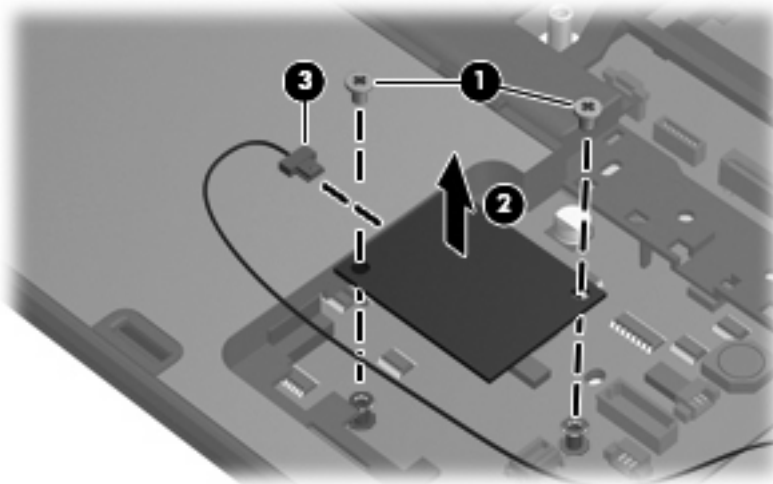
Description	Spare part number
Modem module	443899-001

Before removing the modem module, follow these steps:

1. Shut down the computer. If you are unsure whether the computer is off or in Hibernation, turn the computer on, and then shut it down through the operating system.
2. Disconnect all external devices connected to the computer.
3. Disconnect the power from the computer by first unplugging the power cord from the AC outlet and then unplugging the AC adapter from the computer.
4. Remove the battery (see [Battery on page 42](#)).
5. Remove the keyboard (see [Keyboard on page 57](#)).
6. Remove the TouchPad (see [TouchPad on page 61](#)).

Remove the modem module:

1. Remove the two Phillips PM2.0×4.0 screws **(1)** that secure the modem module to the system board.
2. Disconnect the modem module **(2)** from the system board by lifting it straight up.
3. Disconnect the modem module cable **(3)** from the modem module.



4. Remove the modem module.

Reverse this procedure to install the modem module.

## Switch cover

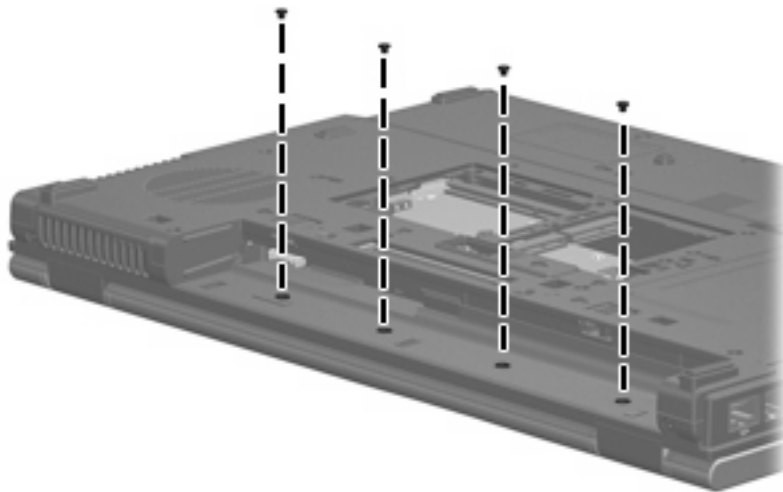
Description	Spare part number
Switch cover (includes LED board and cable)	450479-001

Before removing the switch cover, follow these steps:

1. Shut down the computer. If you are unsure whether the computer is off or in Hibernation, turn the computer on, and then shut it down through the operating system.
2. Disconnect all external devices connected to the computer.
3. Disconnect the power from the computer by first unplugging the power cord from the AC outlet and then unplugging the AC adapter from the computer.
4. Remove the battery (see [Battery on page 42](#)).
5. Remove the keyboard (see [Keyboard on page 57](#)).

Remove the switch cover:

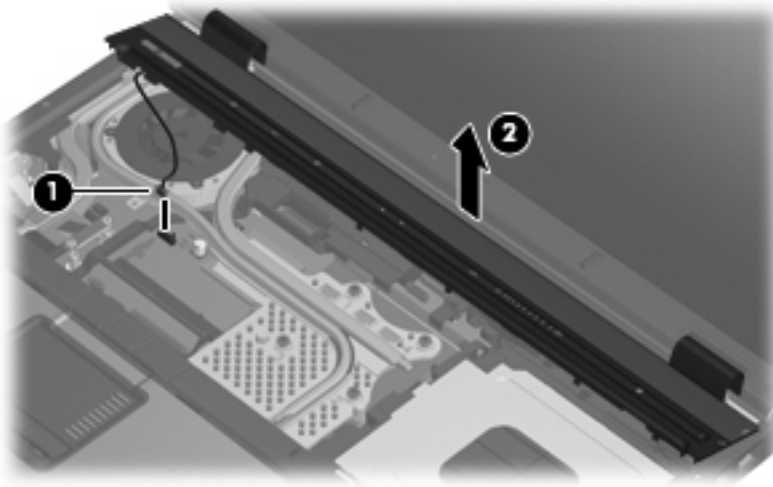
1. Turn the computer upside down, with the rear panel toward you.
2. Remove the four Torx T8M2.5×4.0 screws that secure the switch cover to the computer.



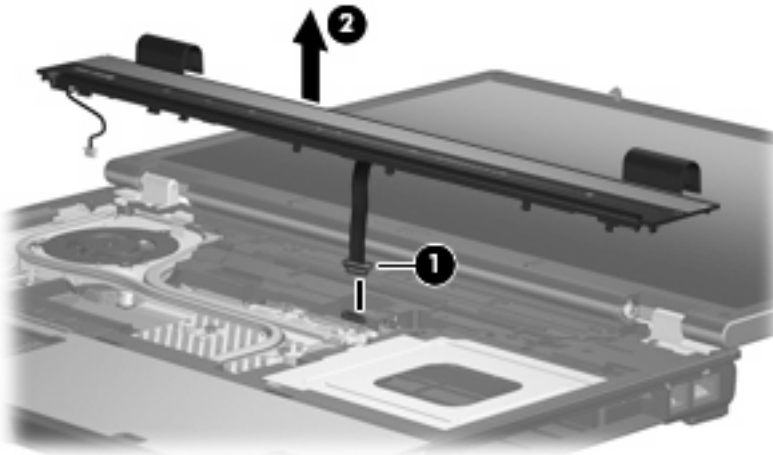
3. Turn the computer right-side up, with the front toward you.
4. Open the computer as far as possible.
5. Disconnect the power button board cable **(1)** from the system board.



6. Lift the front edge of the switch cover **(2)** until it disengages from the computer.



7. Release the ZIF connector **(1)** to which the LED board cable is connected and disconnect the cable from the system board.
8. Remove the switch cover **(2)**.



Reverse this procedure to install the switch cover.

## Power button board

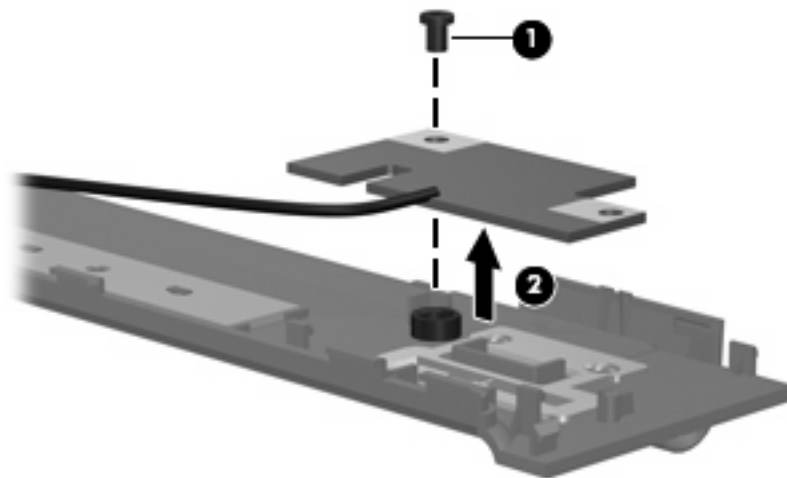
Description	Spare part number
Power button board (includes cable)	450481-001

Before removing the power button board, follow these steps:

1. Shut down the computer. If you are unsure whether the computer is off or in Hibernation, turn the computer on, and then shut it down through the operating system.
2. Disconnect all external devices connected to the computer.
3. Disconnect the power from the computer by first unplugging the power cord from the AC outlet and then unplugging the AC adapter from the computer.
4. Remove the battery (see [Battery on page 42](#)).
5. Remove the keyboard (see [Keyboard on page 57](#)).
6. Remove the switch cover (see [Switch cover on page 64](#)).


Remove the power button board:

1. Turn the switch cover upside down, with the front toward you.
2. Remove the Torx T8M2.5×4.0 screw **(1)** that secures the power button board to the switch cover.
3. Remove the power button board **(2)**.



Reverse this procedure to install the power button board.

## Fan/heat sink assembly

 **NOTE:** All fan/heat sink assembly spare part kits include thermal material.

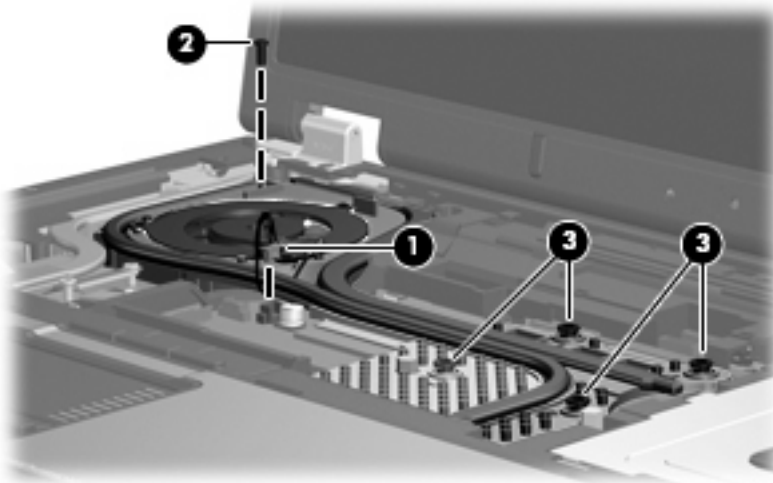
Description	Spare part number
Fan/heat sink assembly (includes replacement thermal material)	450594-001

Before removing the fan/heat sink assembly, follow these steps:

1. Shut down the computer. If you are unsure whether the computer is off or in Hibernation, turn the computer on, and then shut it down through the operating system.
2. Disconnect all external devices connected to the computer.
3. Disconnect the power from the computer by first unplugging the power cord from the AC outlet and then unplugging the AC adapter from the computer.
4. Remove the battery (see [Battery on page 42](#)).
5. Remove the keyboard (see [Keyboard on page 57](#)).
6. Remove the switch cover (see [Switch cover on page 64](#)).

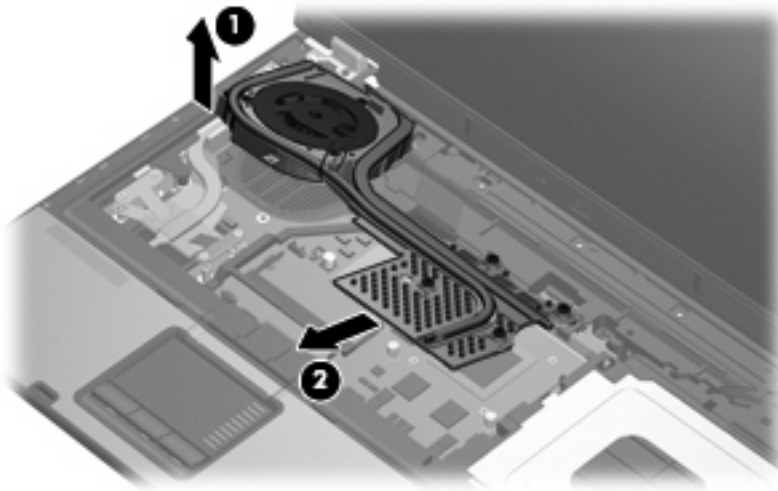
Remove the fan/heat sink assembly:


1. Disconnect the fan cable **(1)** from the system board.
2. Remove the Torx T8M2.5×7.0 screw **(2)** that secures the fan/heat sink assembly to the computer.
3. Loosen the four Torx T8M2.0×10.0 screws **(3)** that secure the fan/heat sink assembly to the computer.

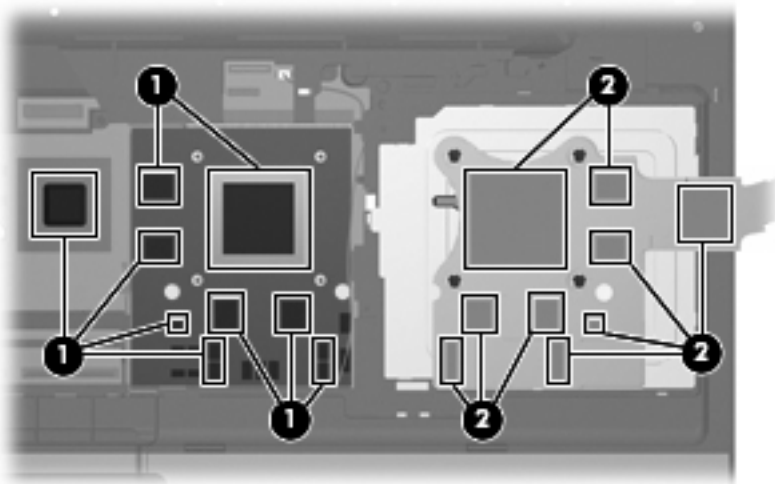


4. Lift the front edge of the fan/heat sink assembly **(1)** to disengage it from the system board and graphics card.

5. Remove the fan/heat sink assembly **(2)** by sliding it forward.




 **NOTE:** The thermal material must be thoroughly cleaned from the surfaces of the graphics card **(1)** and fan/heat sink assembly **(2)** each time the fan/heat sink assembly is removed. Thermal material is included with all fan/heat sink assembly and graphics card spare part kits.



Reverse this procedure to reassemble and install the fan/heat sink assembly.

## Graphics card

 **NOTE:** All graphics card spare part kits include replacement thermal material.

Description	Spare part number
For use only with HP Compaq 8710w computer models (nVidia NB8E-GLM graphics card with 512 MB graphics subsystem memory operating at 800 MHz)	451377-001
For use only with HP Compaq 8710p computer models (nVidia NB8P-NVS2 graphics card with 256 MB of graphics subsystem memory operating at 700 MHz; supports TurboCache)	450484-001


Before removing the graphics card, follow these steps:

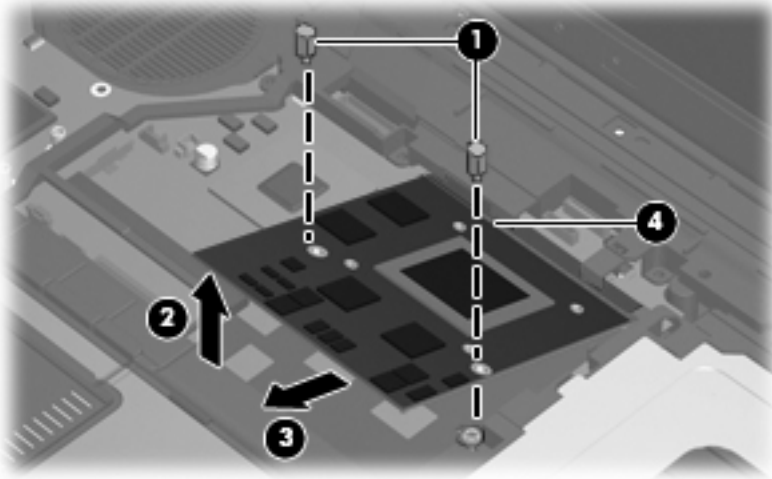
1. Shut down the computer. If you are unsure whether the computer is off or in Hibernation, turn the computer on, and then shut it down through the operating system.
2. Disconnect all external devices connected to the computer.
3. Disconnect the power from the computer by first unplugging the power cord from the AC outlet and then unplugging the AC adapter from the computer.
4. Remove the battery (see [Battery on page 42](#)).
5. Remove the following components:
  - a. Keyboard (see [Keyboard on page 57](#))
  - b. Switch cover (see [Switch cover on page 64](#))
  - c. Fan/heat sink assembly (see [Fan/heat sink assembly on page 67](#))


Remove the graphics card:

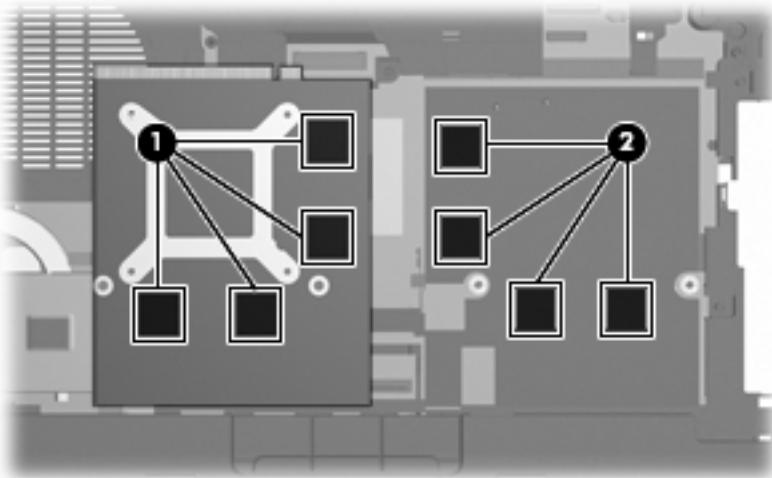
1. Remove the two HM5.0×10.0 standoffs **(1)** that secure the graphics card to the system board.
2. Lift the front edge of the graphics card **(2)** until it clears the adjacent edge of the top cover.

3. Remove the graphics card **(3)** by sliding it away from the graphics card slot at an angle.

 **NOTE:** The graphics card is designed with a notch **(4)** to prevent incorrect installation.



 **NOTE:** The thermal material must be thoroughly cleaned from the surfaces of the graphics card **(1)** and fan/heat sink assembly **(2)** each time the fan/heat sink assembly is removed. Thermal material is included with all fan/heat sink assembly and graphics card spare part kits.



Reverse this procedure to install the graphics card.

Reverse this procedure to install the graphics card.

## Processor heat sink

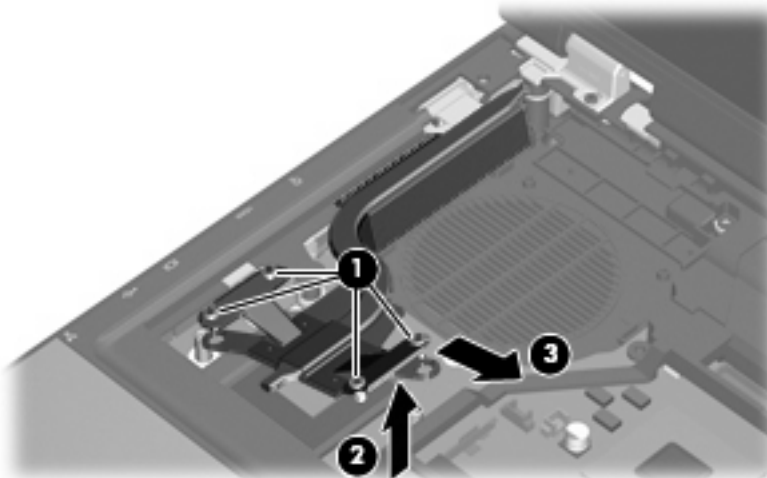
Description	Spare part number
Processor heat sink (includes replacement thermal material)	450593-001

Before removing the processor heat sink, follow these steps:

1. Shut down the computer. If you are unsure whether the computer is off or in Hibernation, turn the computer on, and then shut it down through the operating system.
2. Disconnect all external devices connected to the computer.
3. Disconnect the power from the computer by first unplugging the power cord from the AC outlet and then unplugging the AC adapter from the computer.
4. Remove the battery (see [Battery on page 42](#)).
5. Remove the following components:
  - a. Keyboard (see [Keyboard on page 57](#))
  - b. Switch cover (see [Switch cover on page 64](#))
  - c. Fan/heat sink assembly (see [Fan/heat sink assembly on page 67](#))


Remove the processor heat sink:

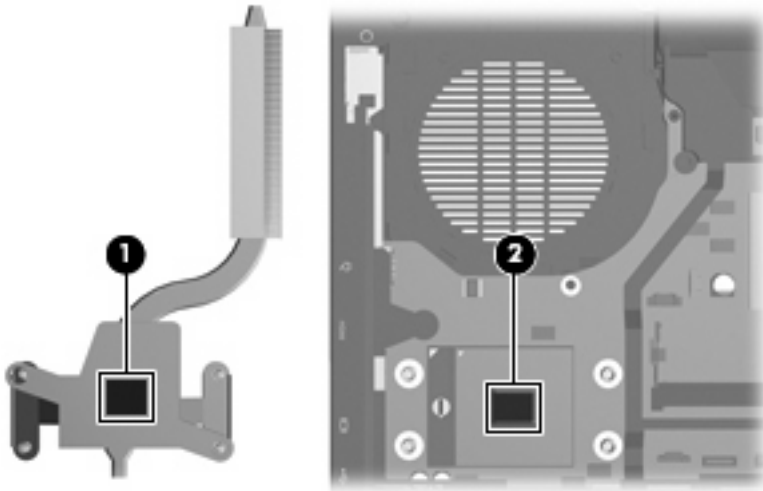
1. Loosen the four Phillips PM2.5×7.0 screws **(1)** that secure the processor heat sink to the base enclosure.
2. Lift the right side of the processor heat sink **(2)** until it disengages from the processor.
3. Release the processor heat sink **(3)** by sliding it to the right until it clears the base enclosure.



4. Remove the processor heat sink.

Reverse this procedure to install the processor heat sink.

 **NOTE:** The thermal material must be thoroughly cleaned from the surfaces of the processor heat sink **(1)** and the processor **(2)** each time the processor heat sink is removed. Thermal material is included with all processor heat sink and processor spare part kits.



## Processor

 **NOTE:** All processor spare part kits include replacement thermal material.

Description	Spare part number
Intel Core 2 Duo T7700 2.4-GHz processor (4-MB L2 cache, 800-MHz FSB)	450589-001
Intel Core 2 Duo T7500 2.2-GHz processor (4-MB L2 cache, 800-MHz FSB)	450588-001
Intel Core 2 Duo T7300 2.0-GHz processor (4-MB L2 cache, 800-MHz FSB)	450587-001
Intel Core 2 Duo T7100 1.8-GHz processor (2-MB L2 cache, 800-MHz FSB)	450586-001


Before removing the processor, follow these steps:

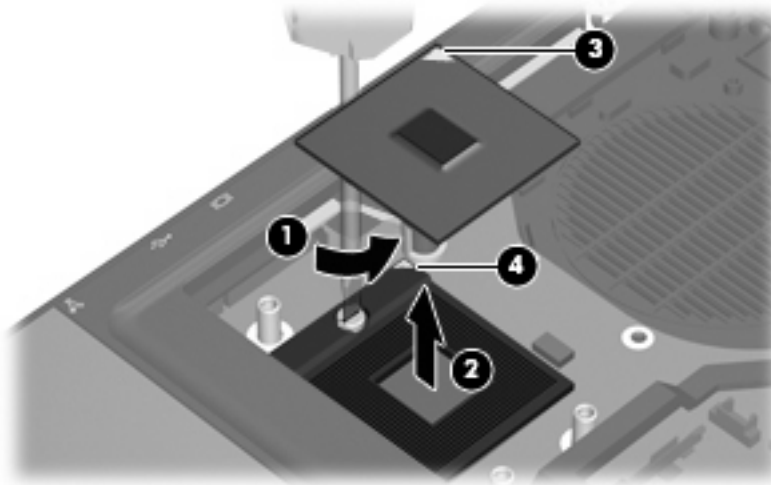
1. Shut down the computer. If you are unsure whether the computer is off or in Hibernation, turn the computer on, and then shut it down through the operating system.
2. Disconnect all external devices connected to the computer.
3. Disconnect the power from the computer by first unplugging the power cord from the AC outlet and then unplugging the AC adapter from the computer.
4. Remove the battery (see [Battery on page 42](#)).
5. Remove the following components:
  - a. Keyboard (see [Keyboard on page 57](#))
  - b. Switch cover (see [Switch cover on page 64](#))
  - c. Fan/heat sink assembly (see [Fan/heat sink assembly on page 67](#))
  - d. Processor heat sink (see [Processor heat sink on page 71](#))



Remove the processor:


1. Use a flat-bladed screwdriver to turn the processor locking screw **(1)** one-half turn counterclockwise until you hear a click.
2. Lift the processor **(2)** straight up and remove it.

 **NOTE:** The gold triangle **(3)** on the processor must be aligned with the triangle **(4)** embossed on the processor socket when you install the processor.



Reverse this procedure to install the processor.

## Display assembly

 **NOTE:** All display assembly spare part kits include 3 WLAN antenna transceivers and cables.

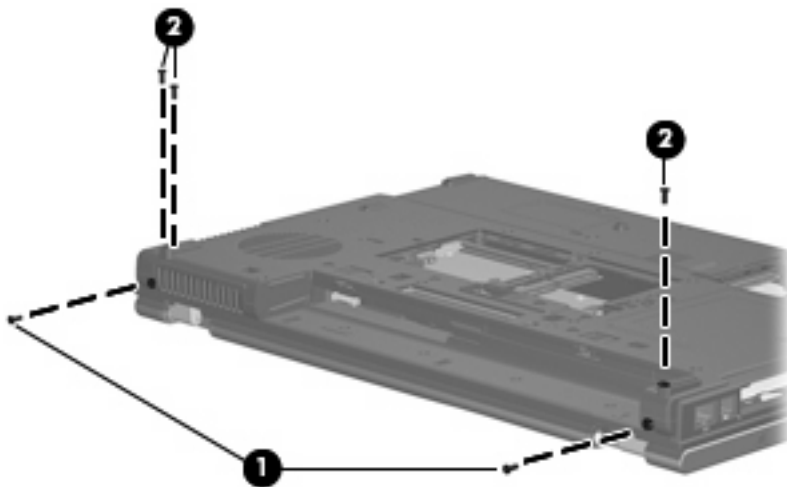
Description	Spare part number
17.0-inch, WUXGA+ WVA AntiGlare display assembly	450582-001
17.0-inch, WSXGA+ WVA AntiGlare display assembly	450580-001
17.0-inch, WSXGA+ WVA BrightView display assembly	450581-001
17.0-inch, WXGA+ AntiGlare display assembly	450583-001

Before removing the display assembly, follow these steps:

1. Shut down the computer. If you are unsure whether the computer is off or in Hibernation, turn the computer on, and then shut it down through the operating system.
2. Disconnect all external devices connected to the computer.
3. Disconnect the power from the computer by first unplugging the power cord from the AC outlet and then unplugging the AC adapter from the computer.
4. Remove the battery (see [Battery on page 42](#)).
5. Remove the keyboard (see [Keyboard on page 57](#)).
6. Remove the switch cover (see [Switch cover on page 64](#)).

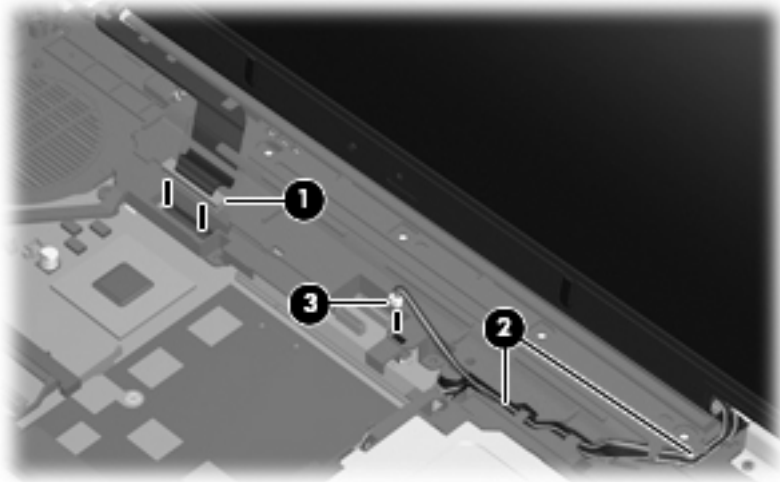
Remove the display assembly:

1. Turn the computer upside down, with the rear panel toward you.
2. Remove the two Torx T8M2.5×9.0 screws **(1)** from the rear panel that secure the display assembly to the computer.
3. Remove the three Torx T8M2.5×9.0 screws **(2)** from the base enclosure that secure the display assembly to the computer.

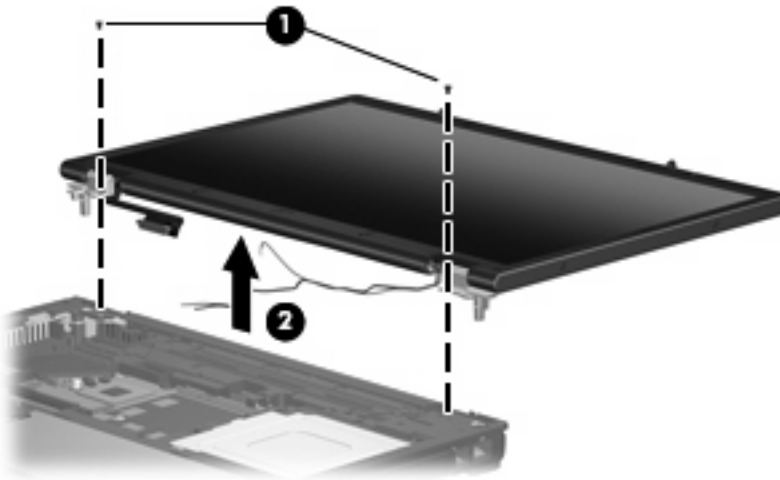


4. Turn the computer right-side up, with the front toward you.

5. Disconnect the display panel cable **(1)** from the system board.
6. Remove the wireless antenna cables, the microphone cable, and the microphone extension cable from the clips **(2)** and routing channels built into the top cover.
7. Disconnect the microphone cable **(3)** from the microphone extension cable.



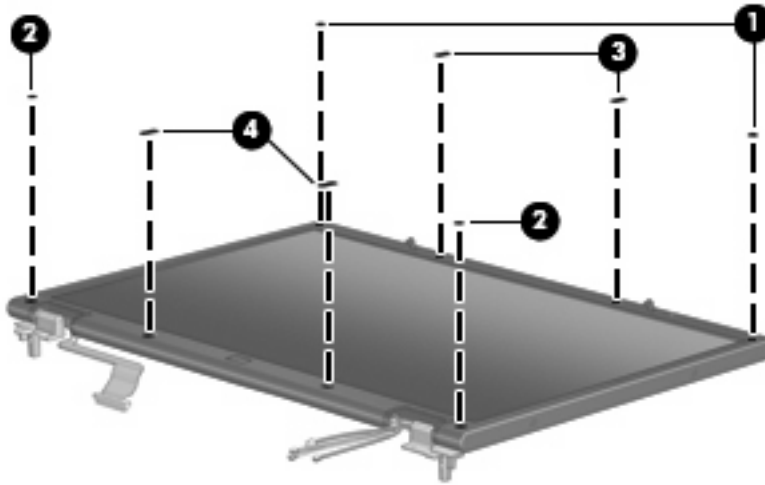
8. Open the computer as far as possible.
9. Remove the two Torx T8M2.5×4.0 screws **(1)** that secure the display assembly to the computer.
10. Lift the display assembly **(2)** straight up and remove it.



11. If it is necessary to replace the display bezel or display hinges, remove the rubber screw covers listed below. All rubber screw covers are included in the Display Rubber Kit, spare part number 450573-001.

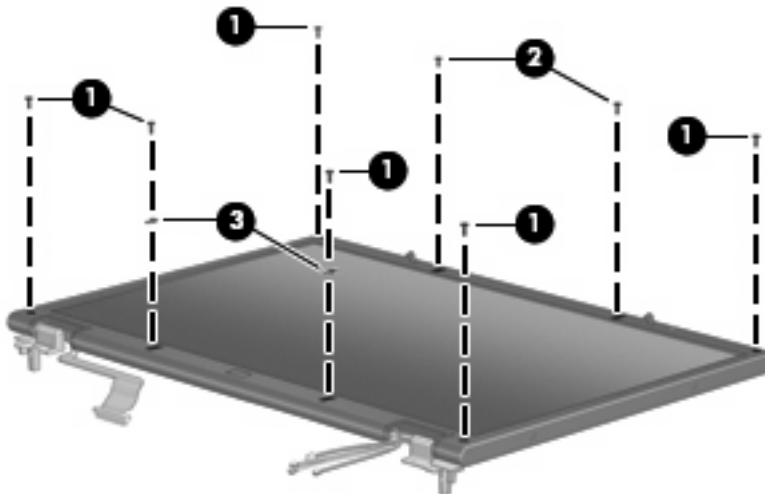
 **NOTE:** See [Display inverter and ambient light sensor board on page 43](#) for display inverter and ambient light sensor board replacement instructions.

- (1) Two rounded rubber screw covers on the display bezel top edge corners
- (2) Two flat rubber screw covers on the display bezel bottom edge corners
- (3) Two small oblong rubber screw covers on the display bezel top edge
- (4) Two large oblong rubber screw covers on the display bezel top edge

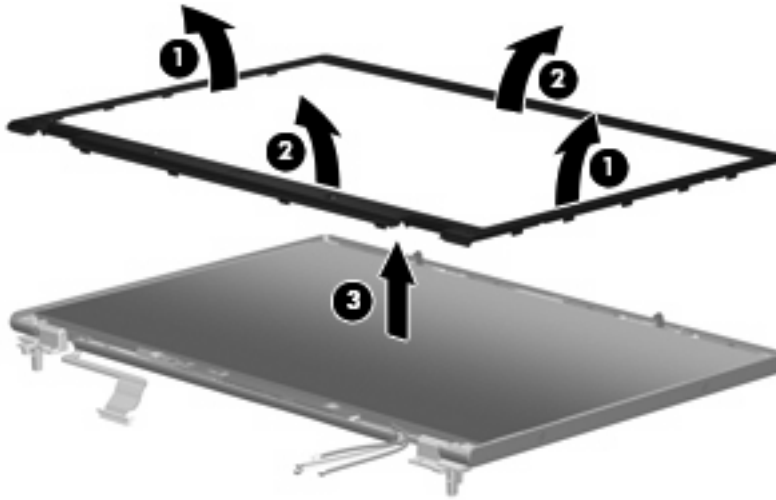


12. Remove the following screws:

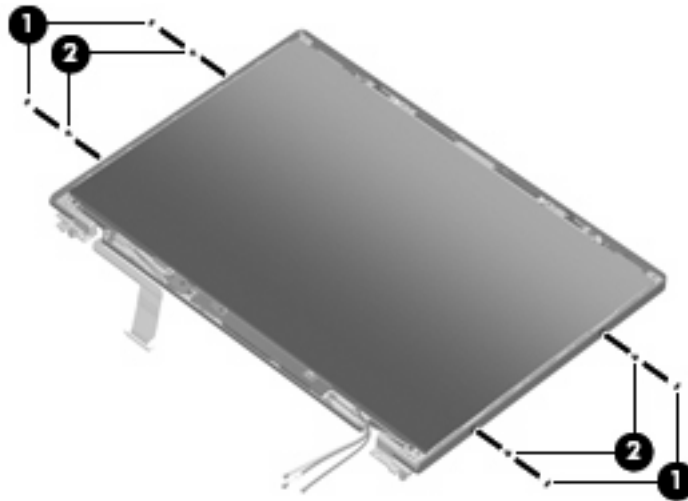
- (1) Six Phillips PM2.5×7.0 screws
- (2) Two Phillips PM2.0×6.0 screws
- (3) Two stabilizer clips



13. Flex the inside edges of the left and right sides **(1)** and the top and bottom sides **(2)** of the display bezel until the bezel disengages from the display enclosure.
14. Remove the display bezel **(3)**. The display bezel is available using spare part number 450500-001.



15. Remove the four mylar screw covers **(1)** from the left and right sides of the display enclosure.
16. Remove the four Torx T8M2.5×4.0 screws **(2)** that secure the display panel to the display enclosure.



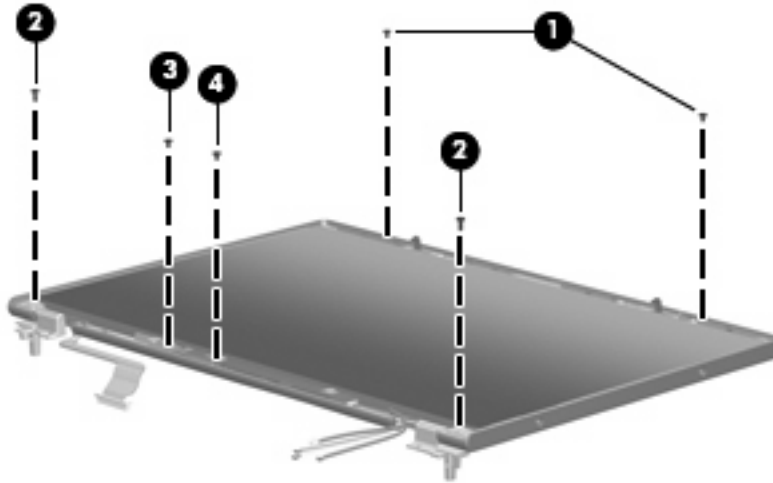
17. Remove the following screws:

(1) Two Torx T8M2.5×4.0 screws on the display panel top edge

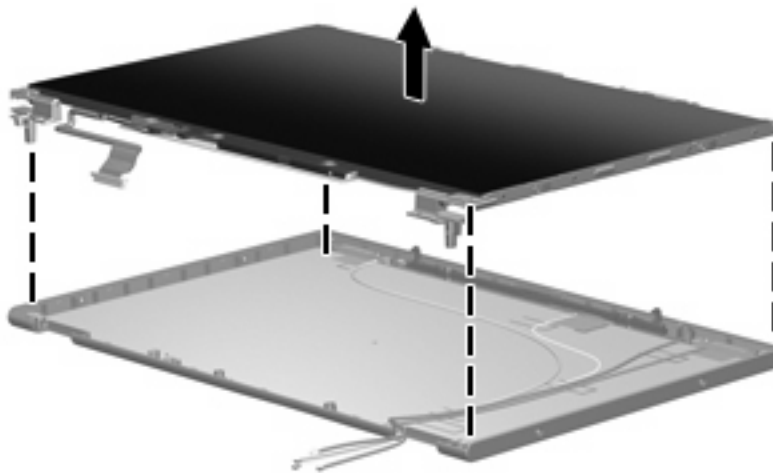
(2) Two Torx T8M2.5×7.0 screws on the display panel bottom edge

(3) One Torx T8M2.5×4.0 screw that secures the ambient light sensor to the display enclosure

(4) One Torx T8M2.5×4.0 screw that secures the display inverter to the display enclosure

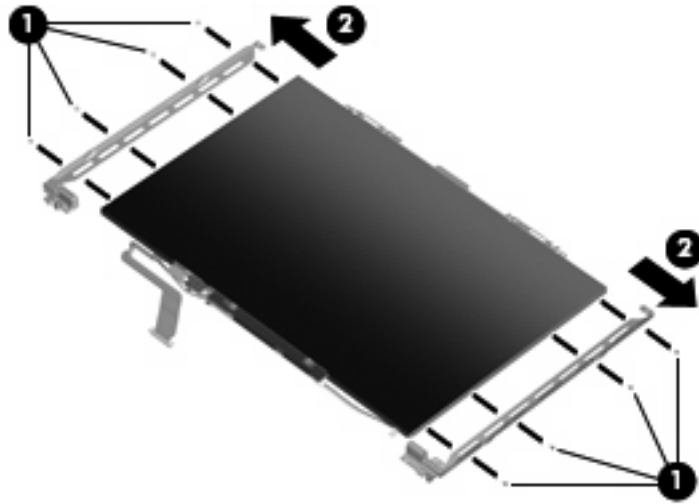


18. Remove the display panel from the display enclosure.




19. Remove the four Phillips PM2.0×4.0 screws (1) that secure each display hinge to the display panel.

20. Remove the display hinges (2). The left and right display hinges are included in the Display Bracket Kit, spare part number 450570-001.



Reverse this procedure to reassemble and install the display assembly.

## Top cover

 **NOTE:** All top cover spare part kits include a fingerprint reader board and cable.

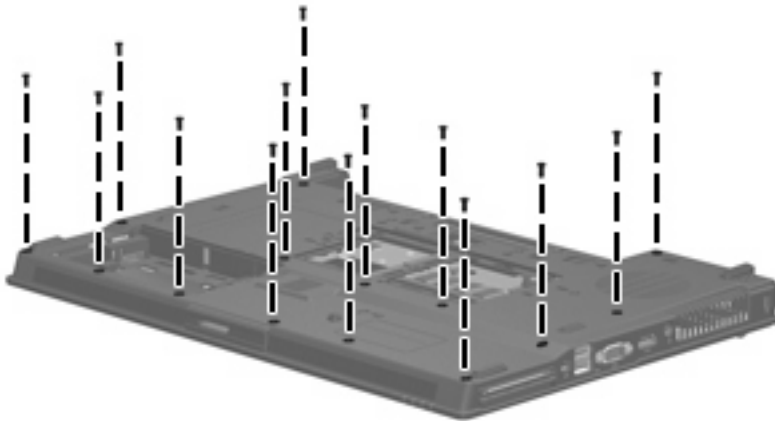
Description	Spare part number
For use only with HP Compaq 8710w computer models	451379-001
For use only with HP Compaq 8710p computer models	450595-001

Before removing the top cover, follow these steps:

1. Shut down the computer. If you are unsure whether the computer is off or in Hibernation, turn the computer on, and then shut it down through the operating system.
2. Disconnect all external devices connected to the computer.
3. Disconnect the power from the computer by first unplugging the power cord from the AC outlet and then unplugging the AC adapter from the computer.
4. Remove the following components:
  - a. Battery (see [Battery on page 42](#))
  - b. Keyboard (see [Keyboard on page 57](#))
  - c. Switch cover (see [Switch cover on page 64](#))
  - d. Display assembly (see [Display assembly on page 74](#))

Remove the top cover:

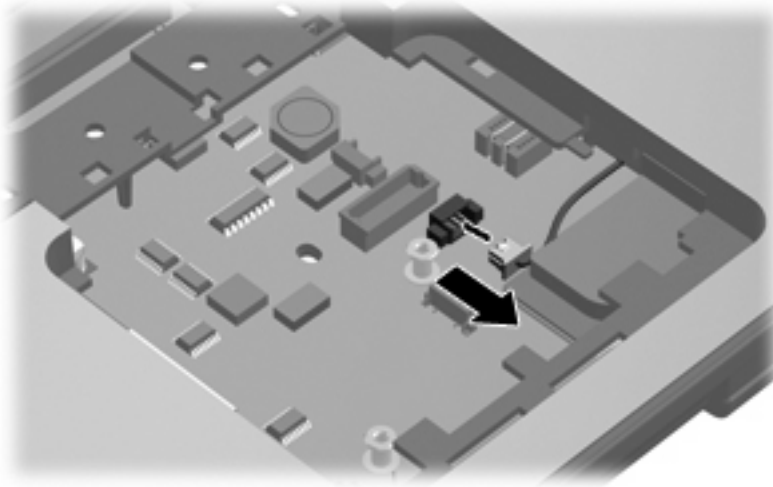
1. Turn the computer upside down, with the front toward you.
2. Remove the fourteen Torx T8M2.5×9.0 screws that secure the top cover to the base enclosure.



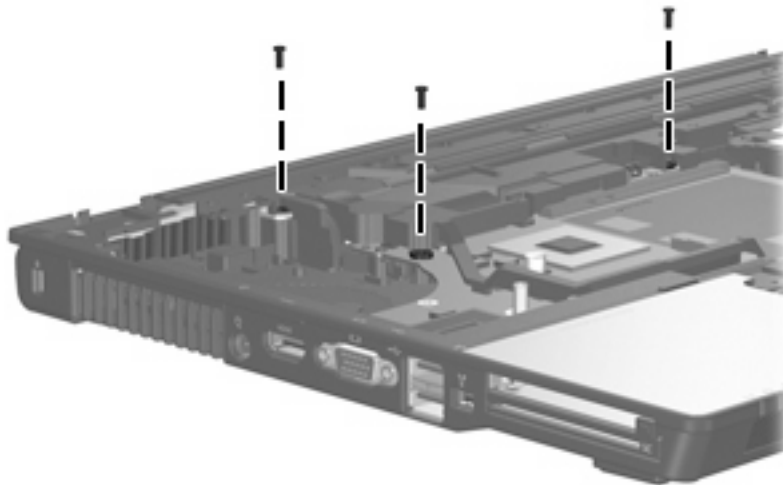
3. Turn the computer right-side up, with the front toward you.



4. Disconnect the fingerprint reader board cable from the system board.

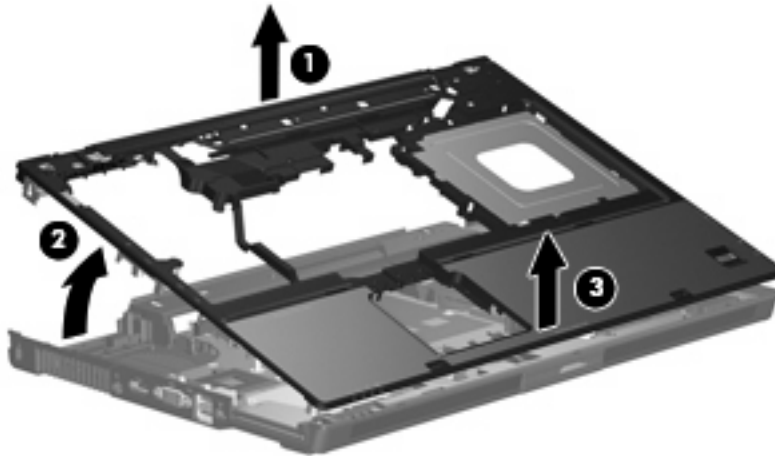


5. Remove the three Torx T8M2.5x7.0 screws that secure the top cover to the computer.



6. Lift the rear edge of the top cover **(1)** until it rests at an angle.
7. Swing the rear edge of the top cover **(2)** up and forward until it disengages from the base enclosure.

8. Remove the top cover **(3)**.



Reverse this procedure to install the top cover.

## Speaker assembly

Description	Spare part number
Speaker assembly	450592-001

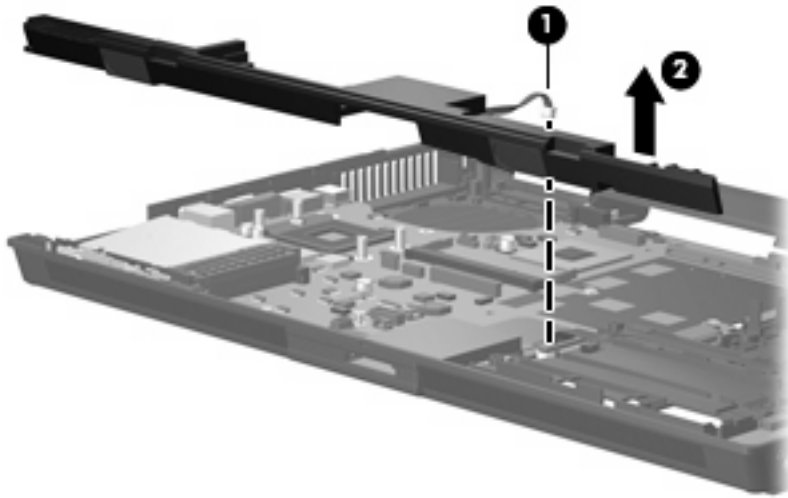
Before removing the speaker assembly, follow these steps:

1. Shut down the computer. If you are unsure whether the computer is off or in Hibernation, turn the computer on, and then shut it down through the operating system.
2. Disconnect all external devices connected to the computer.
3. Disconnect the power from the computer by first unplugging the power cord from the AC outlet and then unplugging the AC adapter from the computer.
4. Remove the following components:
  - a. Battery (see [Battery on page 42](#))
  - b. Keyboard (see [Keyboard on page 57](#))
  - c. Switch cover (see [Switch cover on page 64](#))
  - d. Display assembly (see [Display assembly on page 74](#))
  - e. Top cover (see [Top cover on page 80](#))

Remove the speaker assembly:

1. Disconnect the speaker cable **(1)** from the system board.

2. Remove the speaker assembly **(2)** from the base enclosure.



Reverse this procedure to install the speaker assembly.

## System board

Description	Spare part number
System board (includes replacement thermal material)	450482-001

Before removing the system board, follow these steps:

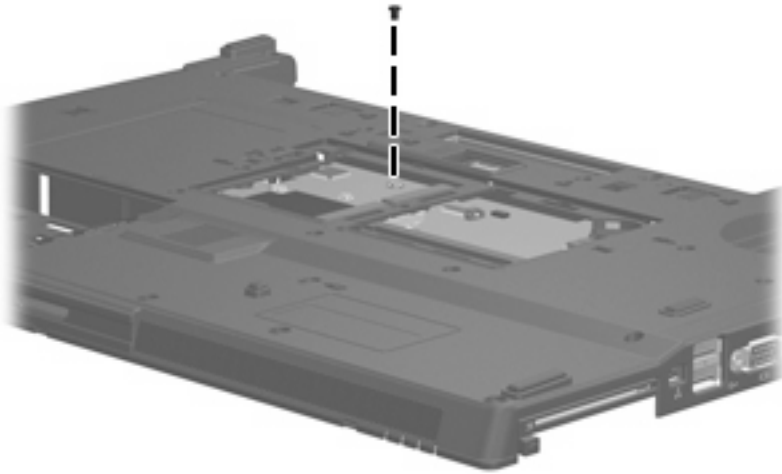
1. Shut down the computer. If you are unsure whether the computer is off or in Hibernation, turn the computer on, and then shut it down through the operating system.
2. Disconnect all external devices connected to the computer.
3. Disconnect the power from the computer by first unplugging the power cord from the AC outlet and then unplugging the AC adapter from the computer.
4. Remove the following components:
  - a. Battery (see [Battery on page 42](#))
  - b. Hard drive (see [Hard drive on page 46](#))
  - c. Bluetooth module (see [Bluetooth module on page 48](#))
  - d. Optical drive (see [Optical drive on page 55](#))
  - e. Keyboard (see [Keyboard on page 57](#))
  - f. TouchPad (see [TouchPad on page 61](#))
  - g. Switch cover (see [Switch cover on page 64](#))
  - h. Fan/heat sink assembly (see [Fan/heat sink assembly on page 67](#))
  - i. Graphics card (see [Graphics card on page 69](#))
  - j. Processor heat sink (see [Processor heat sink on page 71](#))
  - k. Display assembly (see [Display assembly on page 74](#))
  - l. Top cover (see [Top cover on page 80](#))
  - m. Speaker assembly (see [Speaker assembly on page 82](#))

When replacing the system board, be sure that the following components are removed from the defective system board and installed on the replacement system board:

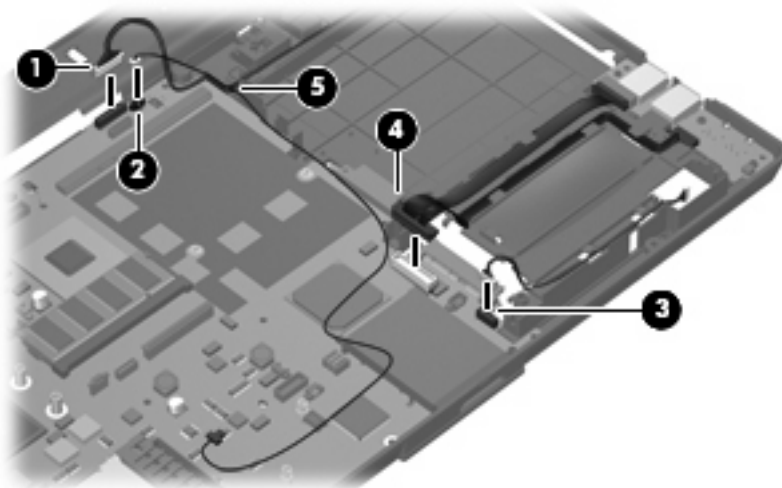
- Memory modules (see [Primary memory module on page 49](#) and [Expansion memory module on page 60](#))
- WLAN module (see [WLAN module on page 51](#))
- RTC battery (see [RTC battery on page 54](#))
- Modem module (see [Modem module on page 63](#))
- Processor (see [Processor on page 72](#))
- PC Card assembly (see [PC Card assembly on page 89](#))

Remove the system board:

1. Turn the computer upside down, with the front toward you.
2. Remove the Torx T8M2.5×4.0 screw that secures the system board to the base enclosure.

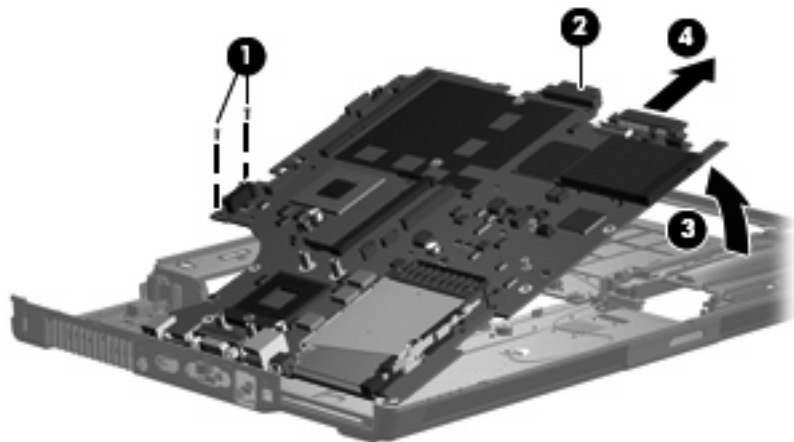


3. Turn the computer right-side up, with the front toward you.
4. Disconnect the following cables from the system board:
  - (1) RJ-45 connector cable
  - (2) Modem module cable
  - (3) Bluetooth module cable
  - (4) USB/audio board cable
5. Remove the modem module cable (5) from the clip in the system board.

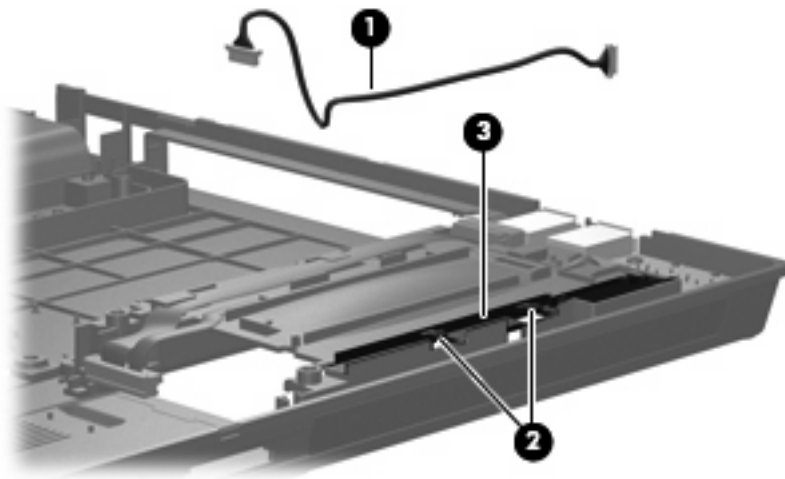


6. Remove the two Torx T8M2.5×7.0 screws (1) that secure the system board to the base enclosure.
7. Use the optical drive connector (2) to lift the right side of the system board (3) until it rests at an angle.

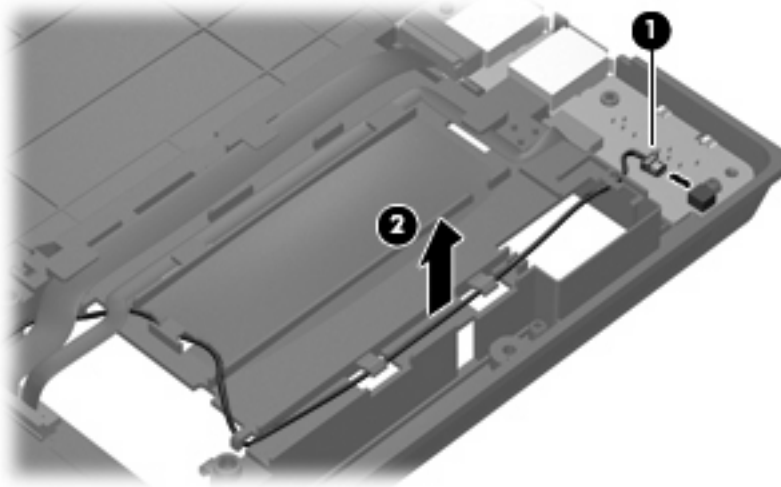
8. Remove the system board **(4)** by sliding it away from the base enclosure at an angle.



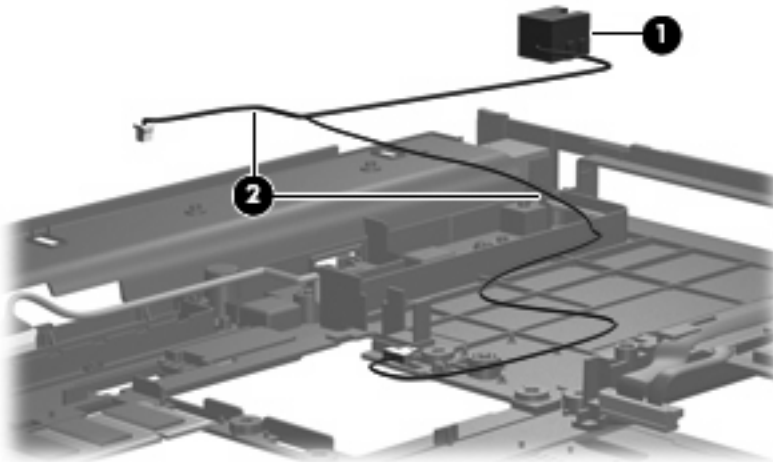
9. If it is necessary to replace the Bluetooth module cable, remove the cable **(1)** from the clips **(2)** and **(3)** built into the base enclosure. The Bluetooth module cable is included in the Cable Kit, spare part number 450486-001.



10. If it is necessary to replace the microphone extension cable, remove the cable **(1)** from the clips **(2)** and **(3)** built into the base enclosure. The microphone extension cable is available using spare part number 450578-001.

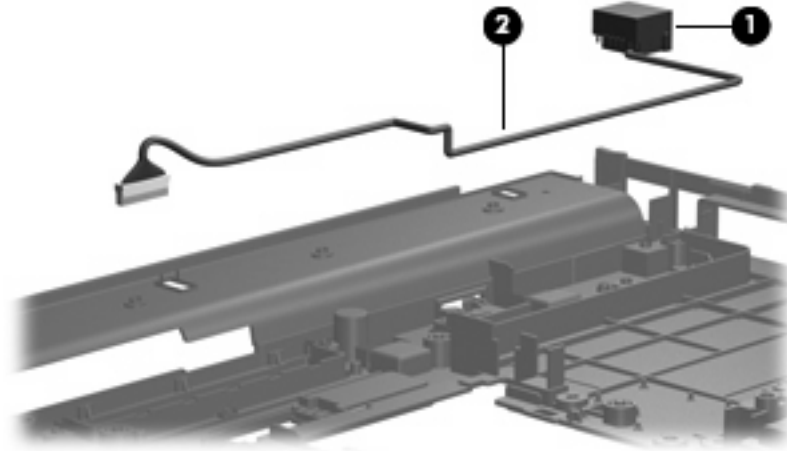


11. If it is necessary to replace the RJ-11 connector cable, remove the RJ-11 connector **(1)** from the clip built into the base enclosure.
12. Remove the RJ-11 connector cable **(2)** from the clips and routing channel built into the base enclosure. The RJ-11 connector cable is included in the Cable Kit, spare part number 450486-001.



13. If it is necessary to replace the RJ-45 connector cable, remove the RJ-45 connector **(1)** from the clip built into the base enclosure. The RJ-45 connector cable is included in the Cable Kit, spare part number 450486-001.

14. Remove the RJ-45 connector cable **(2)** from the clips and routing channel built into the base enclosure.



Reverse the preceding procedure to install the system board, Bluetooth module cable, microphone extension cable, RJ-11 cable, and RJ-45 cable.

## USB/audio board

Description	Spare part number
USB/audio board (includes 2-into-1 USB board cable and audio board cable)	450483-001

Before removing the USB/audio board, follow these steps:

1. Battery (see [Battery on page 42](#))
2. Hard drive (see [Hard drive on page 46](#))
3. Bluetooth module (see [Bluetooth module on page 48](#))
4. Optical drive (see [Optical drive on page 55](#))
5. Keyboard (see [Keyboard on page 57](#))
6. TouchPad (see [TouchPad on page 61](#))
7. Switch cover (see [Switch cover on page 64](#))
8. Fan/heat sink assembly (see [Fan/heat sink assembly on page 67](#))
9. Graphics card (see [Graphics card on page 69](#))
10. Processor heat sink (see [Processor heat sink on page 71](#))
11. Display assembly (see [Display assembly on page 74](#))
12. Top cover (see [Top cover on page 80](#))

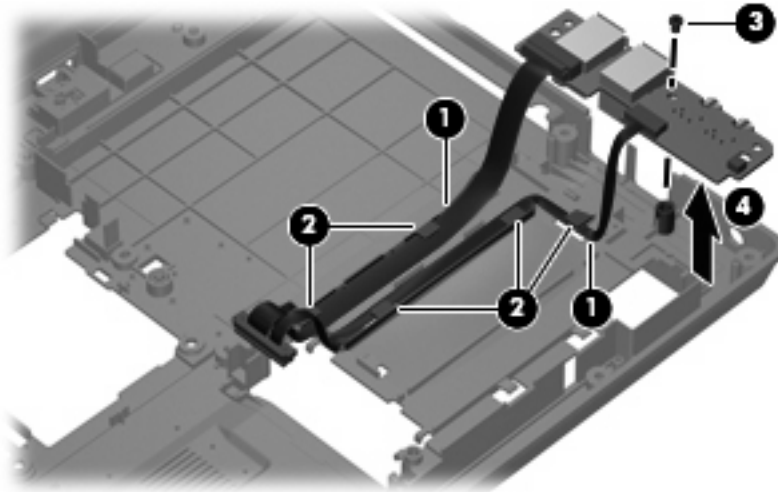


13. Speaker assembly (see [Speaker assembly on page 82](#))

14. System board (see [System board on page 84](#))

Remove the USB/audio board:

1. Remove the USB/audio board cables **(1)** from the clips **(2)** built into the base enclosure.
2. Remove the Torx T8M2.5x4.0 screw **(3)** that secures the USB/audio board to the base enclosure.
3. Lift the left side of the USB/audio board **(4)** until the USB and audio connectors disengage from the openings in the base enclosure.



4. Remove the USB/audio board and cables from the base enclosure.

Reverse this procedure to install the USB/audio board.

## PC Card assembly

Description	Spare part number
PC Card assembly	450584-001

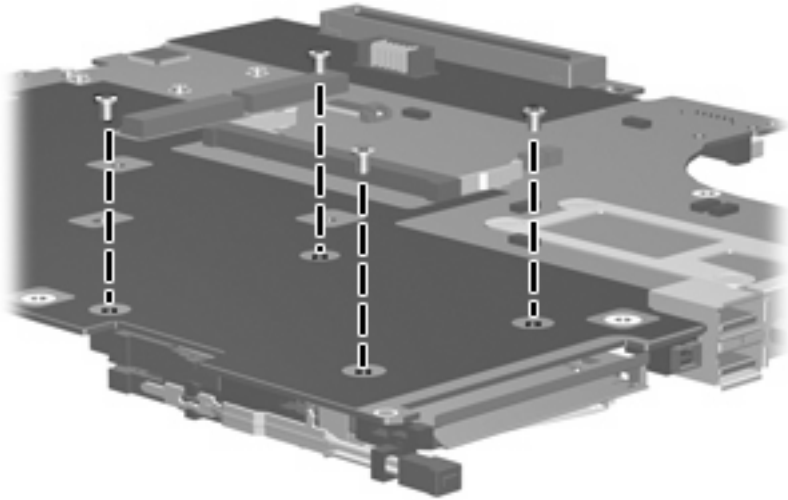
Before removing the PC Card assembly, follow these steps:

1. Battery (see [Battery on page 42](#))
2. Hard drive (see [Hard drive on page 46](#))
3. Bluetooth module (see [Bluetooth module on page 48](#))
4. Optical drive (see [Optical drive on page 55](#))
5. Keyboard (see [Keyboard on page 57](#))
6. TouchPad (see [TouchPad on page 61](#))
7. Switch cover (see [Switch cover on page 64](#))

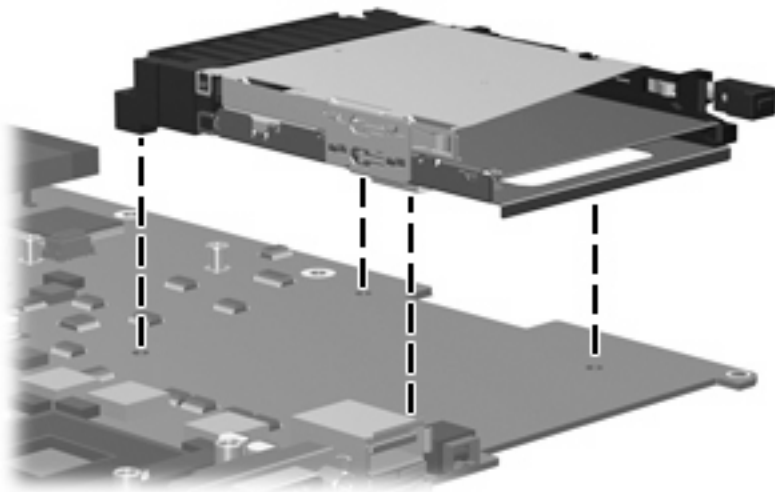
8. Fan/heat sink assembly (see [Fan/heat sink assembly on page 67](#))
9. Graphics card (see [Graphics card on page 69](#))
10. Processor heat sink (see [Processor heat sink on page 71](#))
11. Display assembly (see [Display assembly on page 74](#))
12. Top cover (see [Top cover on page 80](#))
13. Speaker assembly (see [Speaker assembly on page 82](#))
14. System board (see [System board on page 84](#))

Remove the PC Card assembly:

1. Turn the system board upside down, with the PC Card eject button toward you.
2. Remove the four Phillips PM2.0×4.0 screws that secure the PC Card assembly to the system board.



3. Remove the PC Card assembly from the system board.



Reverse this procedure to install the PC Card assembly.


---

# 5 Computer Setup

## Starting Computer Setup

Computer Setup is a preinstalled, ROM-based utility that can be used even when the operating system is not working or will not load.

---

 **NOTE:** Some of the Computer Setup menu items listed in this guide may not be supported by your computer.

**NOTE:** Pointing devices are not supported in Computer Setup. You must use the keyboard to navigate and make selections.

**NOTE:** An external keyboard and pointing stick connected by USB can be used with Computer Setup only if USB legacy support is enabled.

---

To start Computer Setup:

1. Turn on or restart the computer.
2. Before Windows® opens and while the "F10 = ROM Based Setup" message is displayed in the lower-left corner of the screen, press **f10**.

# Using Computer Setup

## Navigating and selecting in Computer Setup

The information and settings in Computer Setup are accessed from the File, Security, Diagnostics, and System Configuration menus.

1. Open Computer Setup by turning on or restarting the computer, and then pressing **f10** while the "F10 = ROM Based Setup" message is displayed in the lower-left corner of the screen.

Because Computer Setup is not Windows-based, it does not support the TouchPad. Navigation and selection are by keystroke:

- To choose a menu or a menu item, use the arrow keys.
  - To select an item, press **enter**.
  - To close open dialog boxes and return to the main Computer Setup screen, press **esc**.
  - To view navigation information, press **f1**.
  - To change the language, press **f2**.
2. Select the **File**, **Security**, **Diagnostics**, or **System Configuration** menu.
  3. To exit Computer Setup, choose one of the following methods:
    - To exit Computer Setup without saving your preferences, use the arrow keys to select **File > Ignore Changes and Exit**. Then follow the instructions on the screen.
    - To save your preferences and exit Computer Setup, use the arrow keys to select **File > Save Changes and Exit**. Then follow the instructions on the screen.

Your preferences go into effect when the computer restarts.


## Restoring factory settings in Computer Setup

To return all settings in Computer Setup to the values that were set at the factory, follow these steps:

1. Open Computer Setup by turning on or restarting the computer, and then pressing **f10** while the "F10 = ROM Based Setup" message is displayed in the lower-left corner of the screen.
2. Use the arrow keys to select **File > Restore** defaults, and then press **enter**.
3. When the confirmation dialog box opens, press **f10**.
4. To save your preferences and exit Computer Setup, use the arrow keys to select **File > Save Changes and Exit**. Then follow the instructions on the screen.

Your preferences go into effect when the computer restarts.


---

 **NOTE:** Your password settings and security settings are not changed when you restore the factory settings.

---

# Computer Setup menus

The menu tables in this section provide an overview of Computer Setup options.

 **NOTE:** Some of the Computer Setup menu items listed in this chapter may not be supported by your computer.

## File menu

Select	To do this
System information	<ul style="list-style-type: none"><li>• View identification information for the computer and the batteries in the system.</li><li>• View specification information for the processor, cache and memory size, system ROM, video revision, and keyboard and pointing stick controller version.</li></ul>
Restore defaults	Replace the configuration settings in Computer Setup with the original factory settings. (Password settings and security settings are not changed when you restore the factory settings.)
Ignore changes and exit	Cancel any changes entered during the current session. Then exit and restart the computer.
Save changes and exit	Save any changes entered during the current session. Then exit and restart the computer. Your changes go into effect when the computer restarts.


## Security menu

Select	To do this
Setup password	Enter, change, or delete a setup password.
Power-On password	Enter, change, or delete a power-on password.
Password options	<ul style="list-style-type: none"><li>• Enable/disable stringent security.</li><li>• Enable/disable password requirement on computer restart.</li></ul>
DriveLock passwords	<ul style="list-style-type: none"><li>• Enable/disable DriveLock on any computer hard drive.</li><li>• Change a DriveLock user password or master password.</li></ul> <p><b>NOTE:</b> DriveLock settings are accessible only when you enter Computer Setup by turning on (not restarting) the computer.</p>
Smart Card security	Enable/disable support for smart card and Java™ Card power-on authentication. <p><b>NOTE:</b> Power-on authentication for smart cards is supported only on computers with optional smart card readers.</p> <p><b>NOTE:</b> You must have an administrator password to change this setting.</p>
TPM Embedded Security	Enable/disable support for Trusted Platform Module (TPM) Embedded Security, which protects the computer from unauthorized access to owner functions available in Embedded Security for ProtectTools. For more information, refer to the ProtectTools software Help. <p><b>NOTE:</b> You must have a setup password to change this setting.</p>
System IDs	Enter user-defined and pointing stick computer asset tracking number and ownership tag.
Disk Sanitizer	Run Disk Sanitizer to destroy all existing data on the primary hard drive. The following options are available: <ul style="list-style-type: none"><li>• Fast: Runs the Disk Sanitizer erase cycle once.</li><li>• Optimum: Runs the Disk Sanitizer erase cycle 3 times.</li><li>• Custom: Allows you to select the desired number of Disk Sanitizer erase cycles from a list.</li></ul> <p><b>CAUTION:</b> If you run Disk Sanitizer, the data on the primary hard drive is destroyed permanently.</p>

## Diagnostics menu

Select	To do this
Hard Drive Self-Test options	Run a comprehensive self-test on any hard drive in the system.
Memory Check	Run a comprehensive check on system memory.
Startup Check (select models only)	Verify the system components needed for starting the computer.

# System Configuration menu

 **NOTE:** Some of the listed System Configuration options may not be supported by your computer.

Select	To do this
Language (or press <b>f2</b> )	Change the Computer Setup language.
Boot options	<ul style="list-style-type: none"><li>• Set <b>f9</b>, <b>f10</b>, and <b>f12</b> delay when starting up.</li><li>• Enable/disable CD-ROM boot.</li><li>• Enable/disable floppy boot.</li><li>• Enable/disable internal network adapter boot and set the boot mode (PXE or RPL).</li><li>• Enable/disable MultiBoot, which sets a boot order that can include most boot devices in the system.</li><li>• Set the Express Boot Popup delay in seconds.</li><li>• Set the boot order.</li></ul>
Device configurations	<ul style="list-style-type: none"><li>• Swap the functions of the fn key and left ctrl key.</li><li>• Enable/disable multiple standard pointing devices at startup. (To set the computer to support only a single, usually nonstandard, pointing device at startup, select <b>Disable</b>.)</li><li>• Enable/disable USB legacy support. When enabled, USB legacy support allows the following:<ul style="list-style-type: none"><li>◦ Use of a USB keyboard, mouse, and hub in Computer Setup even when a Windows operating system is not running.</li><li>◦ Startup from bootable USB devices, including a hard drive, diskette drive, or optical drive connected by a USB port to the computer or to an optional docking device (select models only).</li></ul></li><li>• Select a parallel port mode: EPP (Enhanced Parallel Port), standard, bidirectional, or ECP (Enhanced Capabilities Port).</li><li>• Enable/disable BIOS DMA data transfers.</li><li>• Enable/disable fan always on while connected to an AC outlet.</li><li>• Enable/disable Intel® Data Execution Prevention or AMD® PSAA Execution Disable. When enabled, the processor can disable some virus code execution, which helps to improve computer security.</li><li>• Enable/disable LAN Power Save. When enabled, saves power by turning off the LAN when not in use.</li><li>• Enable/disable SATA Native Mode.</li><li>• Enable/disable Dual Core CPU.</li><li>• Enable/disable Secondary Battery Fast Charge.</li><li>• Choose Bit-shift or LBA assisted HDD Translation Mode.</li><li>• Enable/disable Windows direct application launcher.</li><li>• Enable/disable HP Lockout.</li></ul>

Select	To do this
Built-In Device Options	<ul style="list-style-type: none"> <li>• Enable/disable embedded WWAN Device Radio.</li> <li>• Enable/disable embedded WLAN Device Radio.</li> <li>• Enable/disable embedded Bluetooth® Device Radio.</li> <li>• Enable/disable LAN/WLAN Switching. When enabled, switches to a WLAN when a LAN is either unavailable or disconnected.</li> <li>• Enable/disable Wake on LAN from Off.</li> <li>• Enable/disable the ambient light sensor.</li> </ul>
Port Options	<ul style="list-style-type: none"> <li>• Enable/disable the serial port.</li> <li>• Enable/disable the parallel port.</li> <li>• Enable/disable the flash media reader.</li> <li>• Enable/disable the USB port. <b>CAUTION:</b> Disabling the USB port also disables MultiBay II devices and ExpressCard devices on the advanced port replicator.</li> <li>• Enable/disable the 1394 port.</li> <li>• Enable/disable the cardbus slot.</li> <li>• Enable/disable the ExpressCard slot.</li> <li>• Enable/disable the infrared port.</li> <li>• Enable/disable the optical disk drive.</li> <li>• Enable/disable the network controller.</li> </ul>



# 6 Specifications

## Computer specifications

	Metric	U.S.
<b>Dimensions</b>		
Length	27.5 cm	10.8 in
Width	39.3 cm	15.5 in
Height (front to rear)	3.3 to 3.9 cm	1.3 to 1.5 in
<b>Weight</b> (equipped with 8-cell battery, 80-GB/5400-rpm hard drive, optical drive, one 1024-MB memory module, WLAN module, pointing stick, TouchPad, and nVidia GM84 graphics card; varies by configuration)	3.4 kg	7.5 lbs
<b>Input power</b>		
Operating voltage	19.0 V dc @ 4.74 A – 120 W	
Operating current	4.74 A	
<b>Temperature</b>		
Operating (not writing to optical disc)	0°C to 35°C	32°F to 95°F
Operating (writing to optical disc)	5°C to 35°C	41°F to 95°F
Nonoperating	-20°C to 60°C	-4°F to 140°F
<b>Relative humidity</b>		
Operating	10% to 90%	
Nonoperating	5% to 95%	
<b>Maximum altitude</b> (unpressurized)		
Operating (14.7 to 10.1 psia)	-15 m to 3,048 m	-50 ft to 10,000 ft
Nonoperating (14.7 to 4.4 psia)	-15 m to 12,192 m	-50 ft to 40,000 ft
<b>Shock</b>		
Operating	125 g, 2 ms, half-sine	
Nonoperating	200 g, 2 ms, half-sine	
<b>Random vibration</b>		
Operating	0.75 g zero-to-peak, 10 Hz to 500 Hz, 0.25 oct/min sweep rate	

	Metric	U.S.
Nonoperating	1.50 g zero-to-peak, 10 Hz to 500 Hz, 0.5 oct/min sweep rate	

**NOTE:** Applicable product safety standards specify thermal limits for plastic surfaces. The computer operates well within this range of temperatures.

## 17.0-inch, WUXGA+WVA display specifications

	Metric	U.S.
<b>Dimensions</b>		
Height	24.4 cm	9.65 in
Width	38.1 cm	15.0 in
Diagonal	43.2 cm	17.0 in
<b>Number of colors</b>	Up to 16.8 million	
<b>Contrast ratio</b>	200:1 (typical)	
<b>Brightness</b>	180 nits (typical)	
<b>Pixel resolution</b>		
Pitch	0.172 × 0.172 mm	
Format	1920 × 1200	
Configuration	RGB vertical stripe	
<b>Backlight</b>	CCFT	
<b>Character display</b>	80 × 25	
<b>Total power consumption</b>	6.0 W	
<b>Viewing angle</b>	+/-65 horizontal, +/-50° vertical (typical)	

## 17.0-inch, WSXGA+WVA display specifications

	Metric	U.S.
<b>Dimensions</b>		
Height	24.4 cm	9.6 in
Width	38.1 cm	15.0 in
Diagonal	43.2 cm	17.0 in
<b>Number of colors</b>	Up to 16.8 million	
<b>Contrast ratio</b>	200:1 (typical)	
<b>Brightness</b>	180 nits (typical)	
<b>Pixel resolution</b>		
Pitch	0.172 × 0.172 mm	
Format	1680 × 1050	
Configuration	RGB vertical stripe	
<b>Backlight</b>	CCFT	
<b>Character display</b>	80 × 25	
<b>Total power consumption</b>	7.0 W	
<b>Viewing angle</b>	+/-60 horizontal, +40/-50° vertical (typical)	

## 17.0-inch, WXGA+WVA display specifications

	Metric	U.S.
<b>Dimensions</b>		
Height	24.4 cm	9.6 in
Width	38.1 cm	15.0 in
Diagonal	43.2 cm	17.0 in
<b>Number of colors</b>	Up to 16.8 million	
<b>Contrast ratio</b>	200:1 (typical)	
<b>Brightness</b>	180 nits (typical)	
<b>Pixel resolution</b>		
Pitch	0.259 × 0.259 mm	
Format	1440× 900	
Configuration	RGB vertical stripe	
<b>Backlight</b>	CCFT	
<b>Character display</b>	80 × 25	
<b>Total power consumption</b>	6.5 W	
<b>Viewing angle</b>	+/-45° horizontal, +15/-35° vertical (typical)	

# Hard drive specifications

	160-GB*	120-GB*	100-GB*	80-GB*
<b>Dimensions</b>				
Height	9.5 mm	9.5 mm	9.5 mm	9.5 mm
Width	70 mm	70 mm	70 mm	70 mm
Weight	101 g	101 g	101 g	101 g
<b>Interface type</b>	SATA	SATA	SATA	SATA
<b>Transfer rate</b>	100 MB/sec	100 MB/sec	100 MB/sec	100 MB/sec
<b>Security</b>	ATA security	ATA security	ATA security	ATA security
<b>Seek times</b> (typical read, including setting)				
Single track	3 ms	3 ms	3 ms	3 ms
Average	13 ms	13 ms	13 ms	13 ms
Maximum	24 ms	24 ms	24 ms	24 ms
<b>Logical blocks</b>	312,560,640	234,420,480	195,350,400	156,280,320
<b>Disc rotational speed</b>	7200 and 5400 rpm	7200 and 5400 rpm	7200 rpm	5400 rpm
<b>Operating temperature</b>	5°C to 55°C (41°F to 131°F)			
*1 GB = 1 billion bytes when referring to hard drive storage capacity. Actual accessible capacity is less. Actual drive specifications may differ slightly.				
<b>NOTE:</b> Certain restrictions and exclusions apply. Contact technical support for details.				

# DVD±RW and CD-RW Double-Layer Combo Drive specifications

<b>Applicable disc</b>	<b>Read:</b>	<b>Write:</b>
	CD-DA, CD+(E)G, CD-MIDI, CD-TEXT, CD-ROM, CD-ROM XA, MIXED MODE CD, CD-I, CD-I Bridge (Photo-CD, Video CD), Multisession CD (Photo-CD, CD-EXTRA, Portfolio, CD-R, CD-RW), CD-R, CD-RW, DVD-ROM (DVD-5, DVD-9, DVD-10, DVD-18), DVD-R, DVD-RW, DVD+R, DVD+RW, DVD-RAM	CD-R and CD-RW DVD+R, DVD+RW, DVD-R, DVD-RW, DVD-RAM
<b>Center hole diameter</b>	1.5 cm (0.59 in)	
<b>Disc diameter</b>		
Standard disc	12 cm (4.72 in)	
Mini disc	8 cm (3.15 in)	
<b>Disc thickness</b>	1.2 mm (0.047 in)	
<b>Track pitch</b>	0.74 μm	
<b>Access time</b>	<b>CD</b>	<b>DVD</b>
Random	< 175 ms	< 230 ms
Full stroke	< 285 ms	< 335 ms
<b>Audio output level</b>	Line-out, 0.7 Vrms	
<b>Cache buffer</b>	2 MB	
<b>Data transfer rate</b>		
24X CD-ROM	3,600 KB/sec	
8X DVD-ROM	10,800 KB/sec	
24X CD-R	3,600 KB/sec	
16X CD-RW	2,400 KB/sec	
8X DVD+R	10,800 KB/sec	
4X DVD+RW	5,400 KB/sec	
8X DVD-R	10,800 KB/sec	
4X DVD-RW	5,400 KB/sec	
2.4X DVD+R(9)	2,700 KB/sec	
5X DVD-RAM	6,750 KB/sec	
<b>Transfer mode</b>	Multiword DMA Mode	
<b>Startup time</b>	< 15 seconds	
<b>Stop time</b>	< 6 seconds	

# DVD/CD-RW Combo Drive specifications

<b>Applicable disc</b>	<b>Read:</b>	<b>Write:</b>
	CD-DA, CD+(E)G, CD-MIDI, CD-TEXT, CD-ROM, CD-ROM XA, MIXED MODE CD, CD-I, CD-I Bridge (Photo-CD, Video CD), Multisession CD (Photo-CD, CD-EXTRA, Portfolio, CD-R, CD-RW), CD-R, CD-RW, DVD-ROM (DVD-5, DVD-9, DVD-10, DVD-18), DVD-R, DVD-RW, DVD+R, DVD+RW, DVD-RAM	CD-R and CD-RW
<b>Center hole diameter</b>	1.5 cm (0.59 in)	
<b>Disc diameter</b>		
Standard disc	12 cm (4.72 in)	
Mini disc	8 cm (3.15 in)	
<b>Disc thickness</b>	1.2 mm (0.047 in)	
<b>Track pitch</b>	0.74 $\mu\text{m}$	
<b>Access time</b>	<b>CD</b>	<b>DVD</b>
Random	< 110 ms	< 130 ms
Full stroke	< 210 ms	< 225 ms
<b>Audio output level</b>	Line-out, 0.7 Vrms	
<b>Cache buffer</b>	2 MB	
<b>Data transfer rate</b>		
24X CD-ROM	3,600 KB/sec	
8X DVD	3,600 KB/sec	
24X CD-R	3,600 KB/sec	
24X CD-RW	3,600 KB/sec	
<b>Transfer mode</b>	Multiword DMA mode 2	
<b>Startup time</b>	< 15 seconds	
<b>Stop time</b>	< 6 seconds	

## DVD-ROM Drive

<b>Applicable disc</b>	DVD-ROM (DVD-5, DVD-9, DVD-10, DVD-18, CD-ROM (Mode 1 and 2), CD Digital Audio, CD-XA ready (Mode 2, Form 1 and Form 2), CD-I (Mode 2, Form 1 and Form 2), CD-R, CD-RW, Photo CD (single and multisession), CD-Bridge	
<b>Center hole diameter</b>	1.5 cm (0.59 in)	
<b>Disc diameter</b>		
Standard disc	12 cm (4.72 in)	
Mini disc	8 cm (3.15 in)	
<b>Disc thickness</b>	1.2 mm (0.047 in)	
<b>Track pitch</b>	0.74 $\mu$ m	
<b>Access time</b>	<b>CD</b>	<b>DVD</b>
Random	< 100 ms	< 125 ms
Full stroke	< 175 ms	< 225 ms
<b>Audio output level</b>	Line-out, 0.7 V <sub>rms</sub>	
<b>Cache buffer</b>	512 KB	
<b>Data transfer rate</b>		
CD-R (24X)	3600 KB/s (150 KB/s at 1X CD rate)	
CD-RW (10X)	1500 KB/s (150 KB/s at 1X CD rate)	
CD-ROM (24X)	3600 KB/s (150 KB/s at 1X CD rate)	
DVD (8X)	10,800 KB/s (1,352 KB/s at 1X DVD rate)	
Multiword DMA mode 2	16.6 MB/s	
<b>Startup time</b>	< 10 seconds	
<b>Stop time</b>	< 3 seconds	



## System DMA specifications

Hardware DMA	System function
DMA0	Not applicable
DMA1*	Not applicable
DMA2*	Not applicable
DMA3	Not applicable
DMA4	Direct memory access controller
DMA5*	Available for PC Card
DMA6	Not assigned
DMA7	Not assigned

\*PC Card controller can use DMA 1, 2, or 5.

## System memory map specifications

Size	Memory address	System function
640 KB	00000000-0009FFFF	Base memory
128 KB	000A0000-000BFFFF	Video memory
48 KB	000C0000-000CBFFF	Video BIOS
160 KB	000C8000-000E7FFF	Unused
64 KB	000E8000-000FFFFFF	System BIOS
15 MB	00100000-00FFFFFF	Extended memory
58 MB	04800000-07FFFFFF	Super extended memory
58 MB	04800000-07FFFFFF	Unused
2 MB	08000000-080FFFFFF	Video memory (direct access)
4 GB	08200000-FFFFFF	Unused
64 KB	FFFF0000-FFFFFFFF	System BIOS

# System interrupt specifications

Hardware IRQ	System function
IRQ0	System timer
IRQ1	Standard 101-/102-Key or Microsoft® Natural Keyboard
IRQ2	Cascaded
IRQ3	Intel 82801DB/DBM USB2 Enhanced Host Controller—24CD
IRQ4	COM1
IRQ5*	Conexant AC—Link Audio Intel 82801DB/DBM SMBus Controller—24C3 Data Fax Modem with SmartCP
IRQ6	Diskette drive
IRQ7*	Parallel port
IRQ8	System CMOS/real-time clock
IRQ9*	Microsoft ACPI-compliant system
IRQ10*	Intel USB UHCI controller—24C2 Intel 82852/82855 GM/GME Graphic Controller Realtek RTL8139 Family PCI Fast Ethernet Controller
IRQ11	Intel USB EHCI controller—24CD Intel USB UHCI controller—24C4 Intel USB UHCI controller—24C7 Intel Pro/Wireless 2200BG TI OHCI 1394 host controller TI PCI1410 CardBus controller
IRQ12	Synaptics PS/2 TouchPad
IRQ13	Numeric data processor
IRQ14	Primary IDE channel
IRQ15	Secondary IDE channel

\*Default configuration; audio possible configurations are IRQ5, IRQ7, IRQ9, IRQ10, or none.

**NOTE:** PC Cards may assert IRQ3, IRQ4, IRQ5, IRQ7, IRQ9, IRQ10, IRQ11, or IRQ15. Either the infrared or the serial port may assert IRQ3 or IRQ4.

# System I/O address specifications

I/O address (hex)	System function (shipping configuration)
000 - 00F	DMA controller no. 1
010 - 01F	Unused
020 - 021	Interrupt controller no. 1
022 - 024	Opti chipset configuration registers
025 - 03F	Unused
02E - 02F	87334 "Super I/O" configuration for CPU
040 - 05F	Counter/timer registers
044 - 05F	Unused
060	Keyboard controller
061	Port B
062 - 063	Unused
064	Keyboard controller
065 - 06F	Unused
070 - 071	NMI enable/RTC
072 - 07F	Unused
080 - 08F	DMA page registers
090 - 091	Unused
092	Port A
093 - 09F	Unused
0A0 - 0A1	Interrupt controller no. 2
I/O Address (hex)	System Function (shipping configuration)
0A2 - 0BF	Unused
0C0 - 0DF	DMA controller no. 2
0E0 - 0EF	Unused
0F0 - 0F1	Coprocessor busy clear/reset
0F2 - 0FF	Unused
100 - 16F	Unused
170 - 177	Secondary fixed disk controller
178 - 1EF	Unused
1F0 - 1F7	Primary fixed disk controller
1F8 - 200	Unused
201	JoyStick (decoded in ESS1688)
202 - 21F	Unused

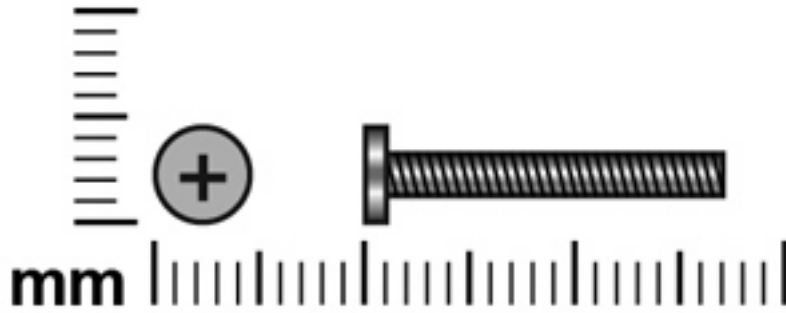
I/O address (hex)	System function (shipping configuration)
220 - 22F	Entertainment audio
230 - 26D	Unused
26E - 26	Unused
278 - 27F	Unused
280 - 2AB	Unused
2A0 - 2A7	Unused
2A8 - 2E7	Unused
2E8 - 2EF	Reserved serial port
2F0 - 2F7	Unused
2F8 - 2FF	Infrared port
300 - 31F	Unused
320 - 36F	Unused
370 - 377	Secondary diskette drive controller
378 - 37F	Parallel port (LPT1/default)
380 - 387	Unused
388 - 38B	FM synthesizer—OPL3
38C - 3AF	Unused
3B0 - 3BB	VGA
3BC - 3BF	Reserved (parallel port/no EPP support)
3C0 - 3DF	VGA
3E0 - 3E1	PC Card controller in CPU
3E2 - 3E3	Unused
3E8 - 3EF	Internal modem
3F0 - 3F7	"A" diskette controller
3F8 - 3FF	Serial port (COM1/default)
CF8 - CFB	PCI configuration index register (PCIDIVO-1)
CFC - CFF	PCI configuration data register (PCIDIVO-1)

---

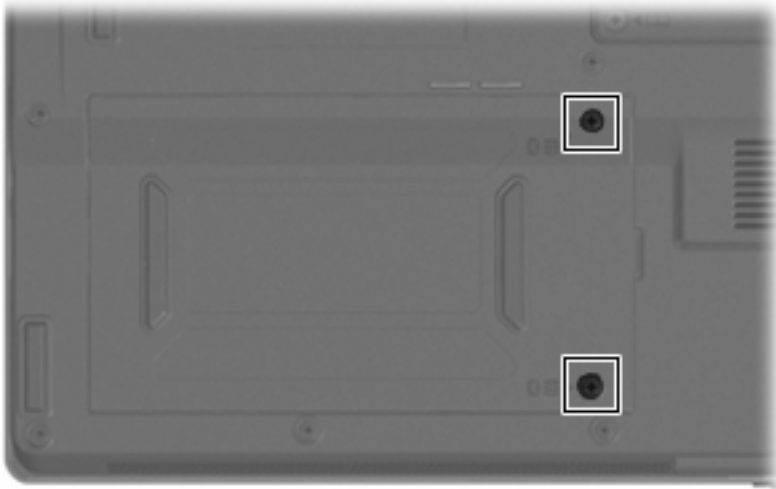
## 7 Screw listing

This section provides specification and reference information for the screws and screw locks used in the computer. All screws listed in this section are available in the Screw Kit, spare part number 450591-001, and the Display Screw Kit, spare part number 450574-001.

## Phillips PM2.0×17.0 captive screw

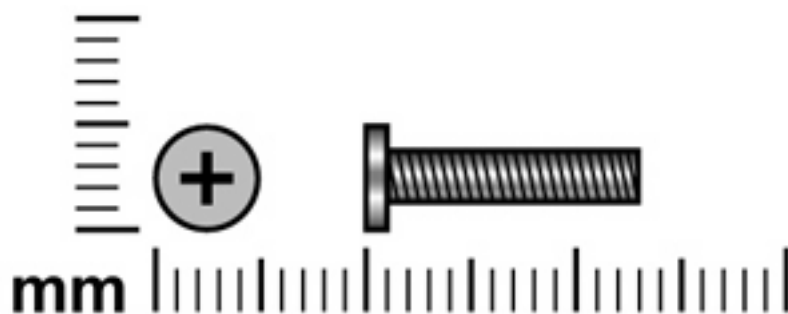


Color	Quantity	Length	Thread	Head diameter
Black	2	17.0 mm	2.0 mm	5.0 mm

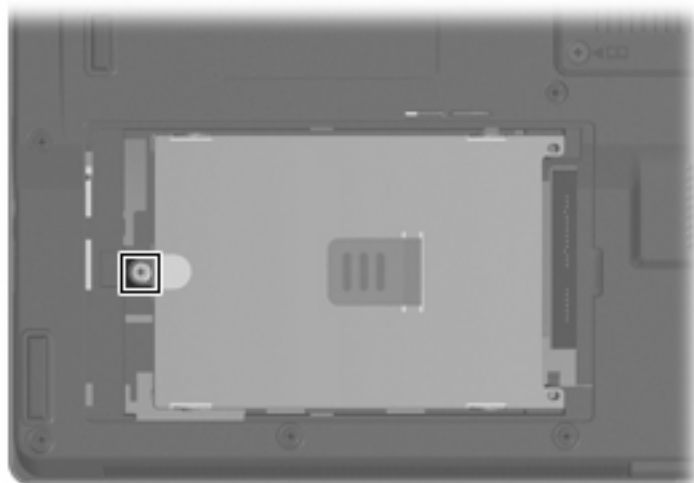


**Where used:** 2 captive screws that secure the hard drive cover to the computer (screws are captured on the cover by C-clips)

## Phillips PM2.5×13.0 captive screw

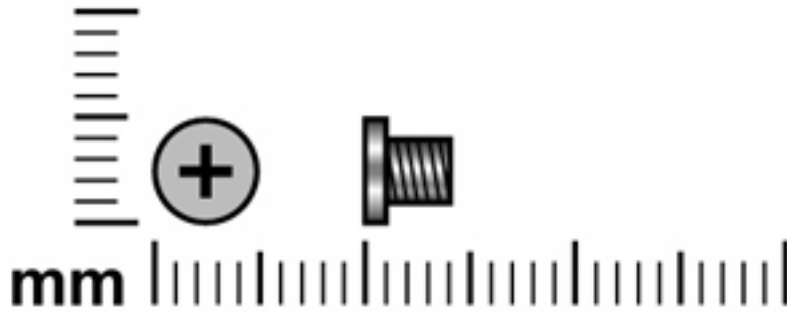


Color	Quantity	Length	Thread	Head diameter
Black	1	13.0 mm	2.5 mm	5.0 mm

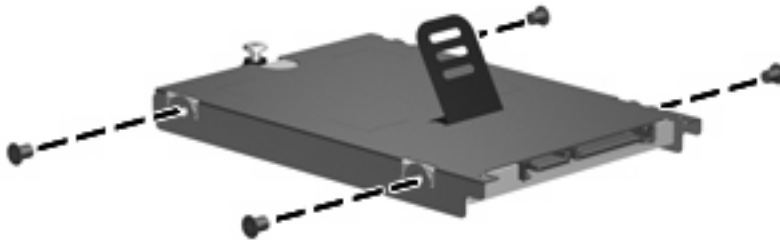


**Where used:** One captive screw that secures the hard drive to the computer (screw is captured on the hard drive bracket)

## Phillips PM3.0×4.0 screw



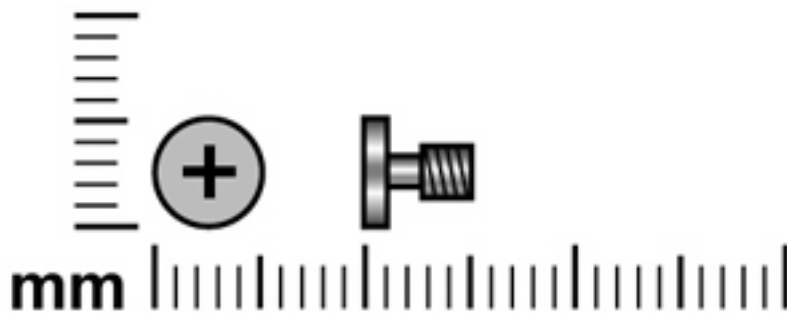
Color	Quantity	Length	Thread	Head diameter
Black	4	4.0 mm	3.0 mm	5.0 mm



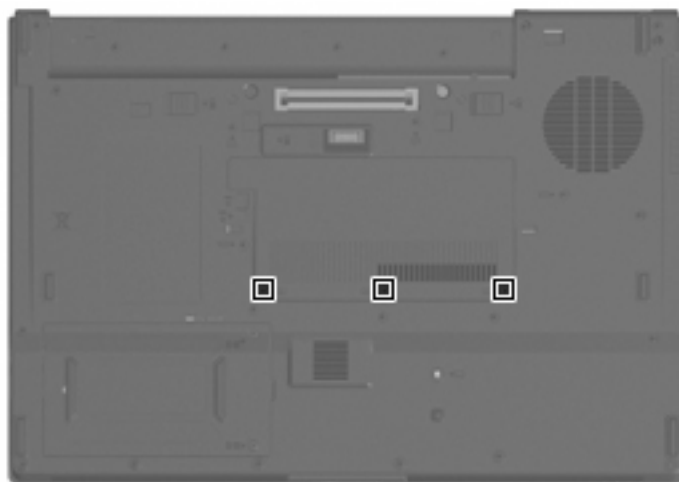
**Where used:** 4 screws that secure the hard drive bracket to the hard drive



## Phillips PM2.5×5.0 captive screw

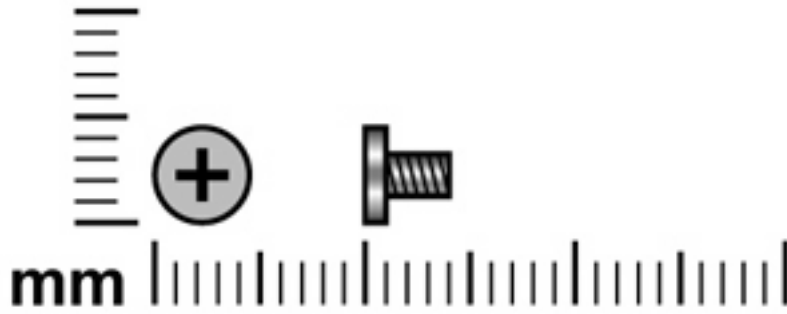


Color	Quantity	Length	Thread	Head diameter
Black	3	5.0 mm	2.5 mm	5.0 mm

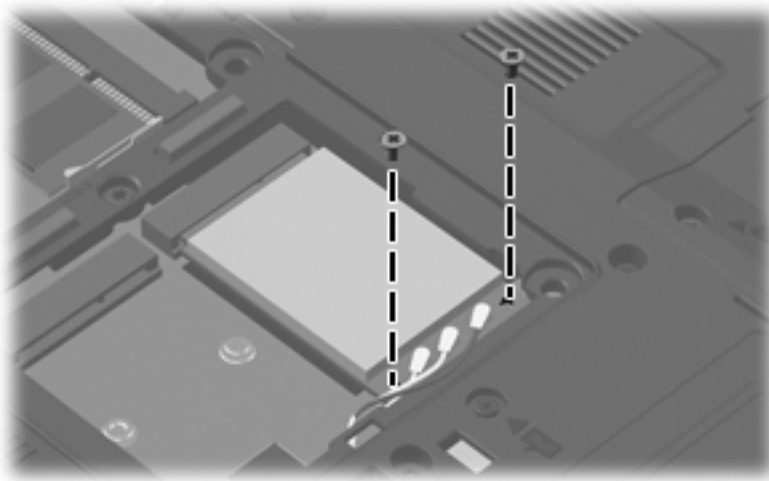


**Where used:** 3 captive screws that secure the memory module/WLAN module compartment cover to the computer (screws are captured on the cover by C-clips)

## Phillips PM2.0×4.0 screw



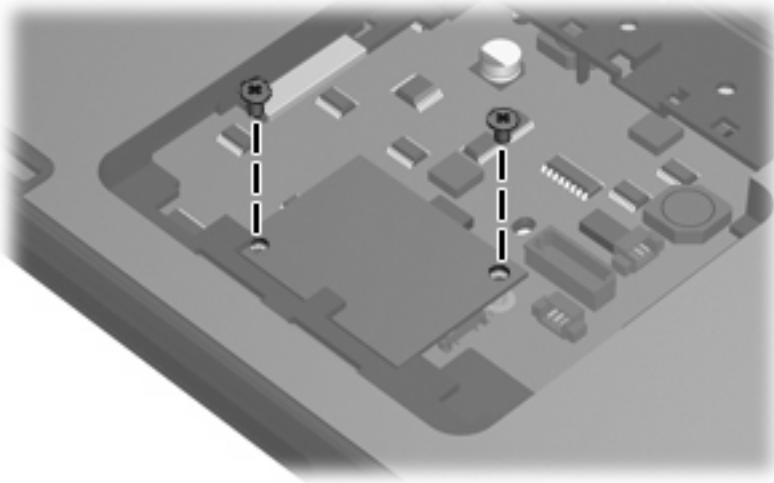
Color	Quantity	Length	Thread	Head diameter
Silver	18	4.0 mm	2.0 mm	4.5 mm



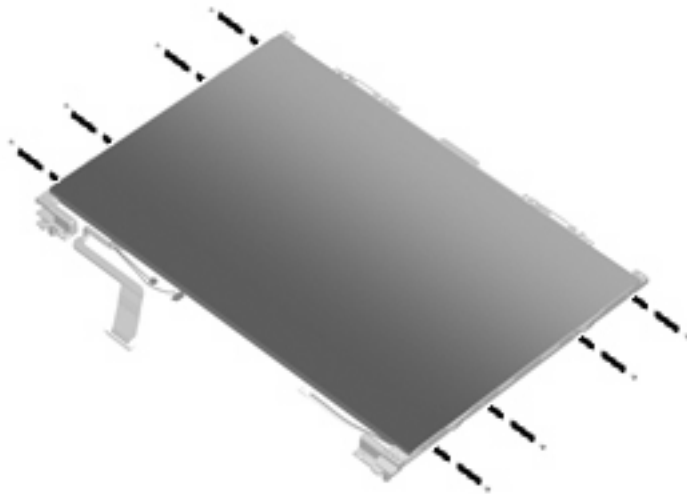
**Where used:** 2 screws that secure the WLAN module to the system board



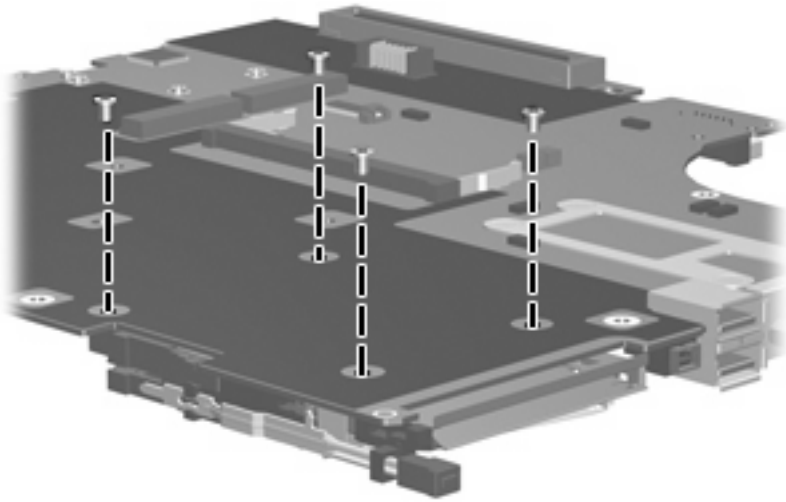
**Where used:** 2 screws that secure the optical drive bracket to the optical drive



**Where used:** 2 screws that secure the modem module to the system board

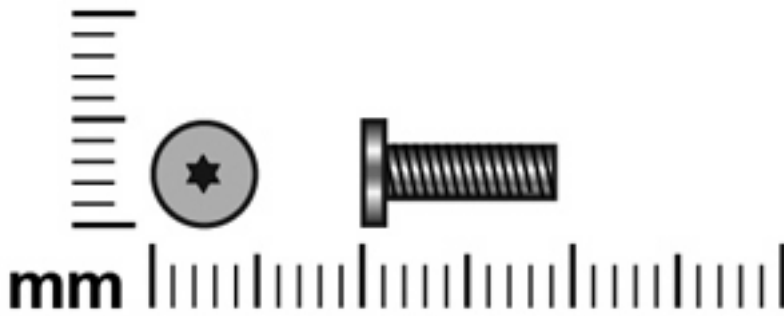


**Where used:** 8 screws that secure the display hinges to the display panel

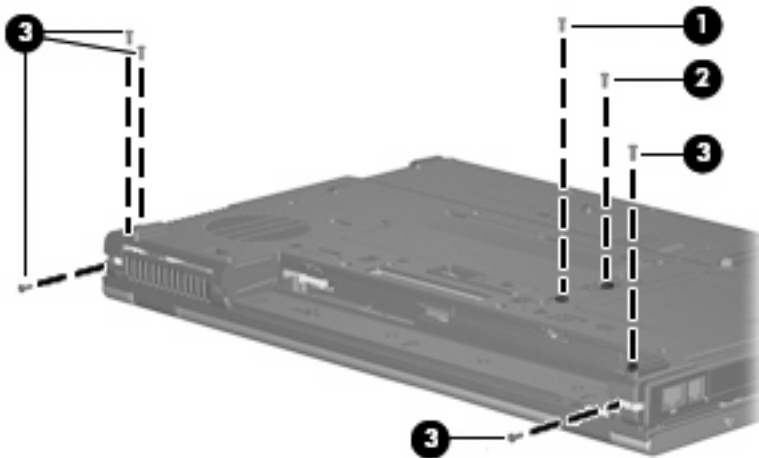


**Where used:** 4 screws that secure the PC Card assembly to the system board

## Torx TM2.5×9.0 screw

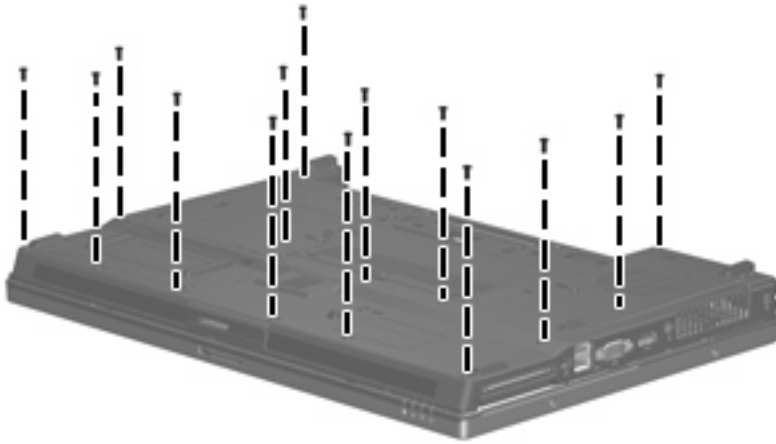


Color	Quantity	Length	Thread	Head diameter
Black	21	9.0 mm	2.5 mm	5.0 mm



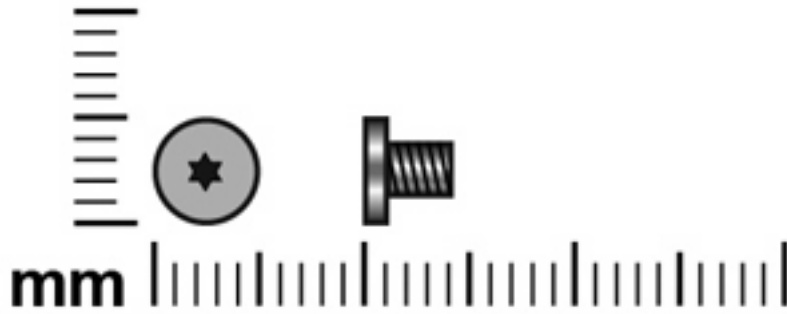
### Where used:

- (1) One screw that secures the optical drive to the computer
- (2) One screw that secures the TouchPad to the computer
- (3) Five screws that secure the display assembly to the computer

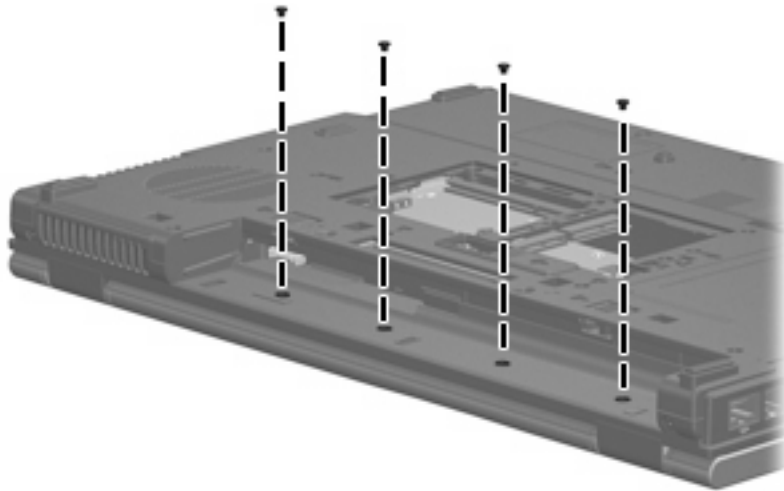


**Where used:** 14 screws that secure the top cover to the computer

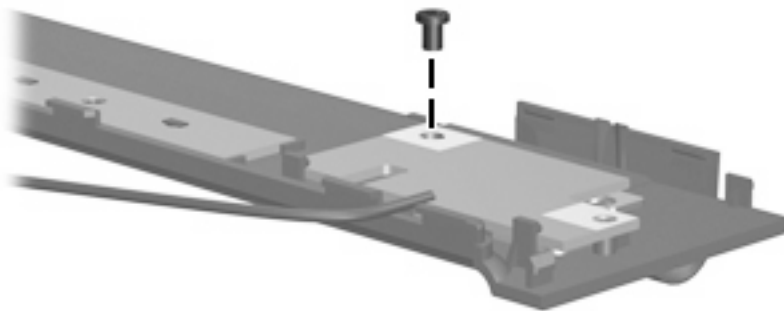
## Torx TM2.5×4.0 screw



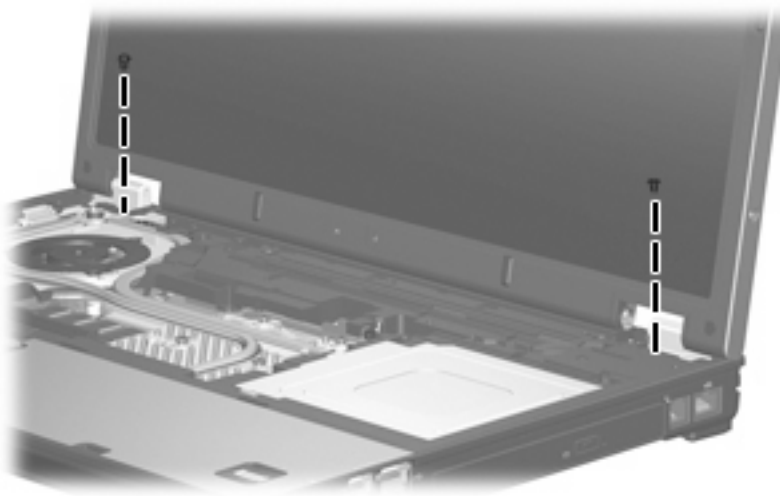
Color	Quantity	Length	Thread	Head diameter
Black	16	4.0 mm	2.5 mm	4.5 mm



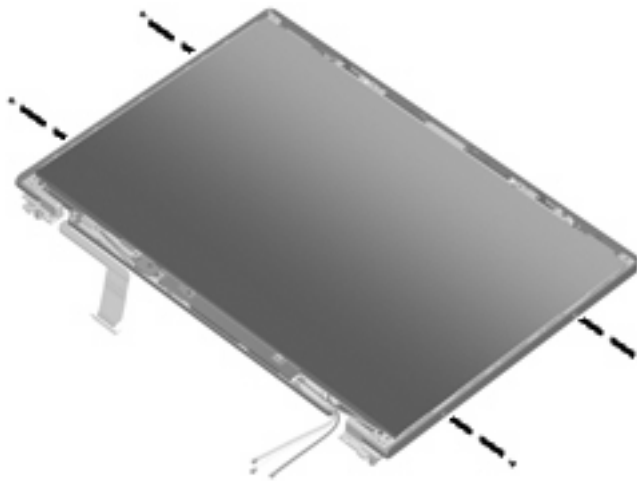
**Where used:** 4 screws that secure the switch cover to the base enclosure



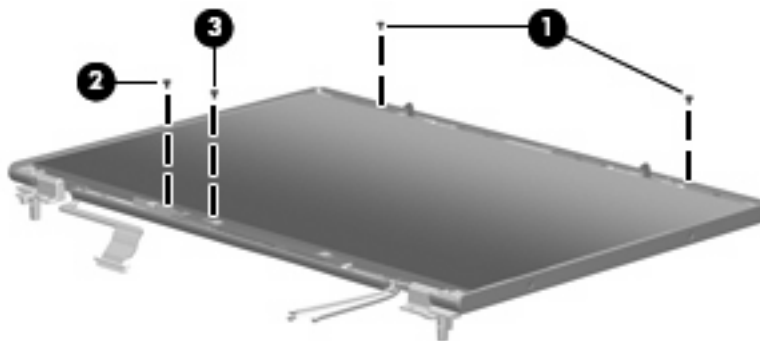
**Where used:** One screw that secures the power button board to the switch cover



**Where used:** 2 screws that secure the display assembly to the computer



**Where used:** 4 screws that secure the display panel to the display enclosure



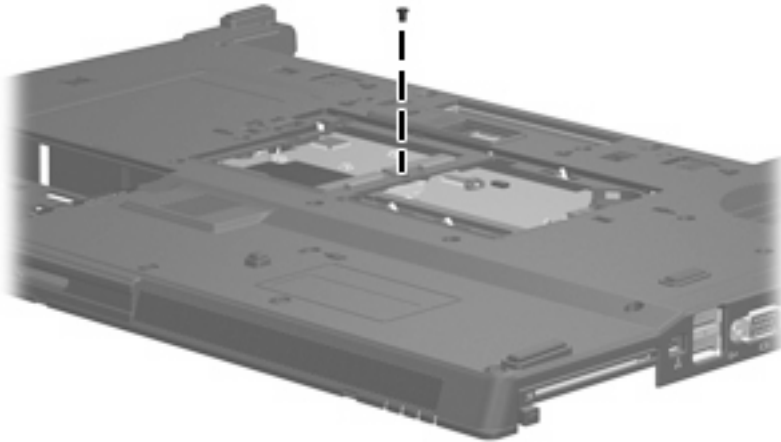
**Where used:**

(1) Two screws that secure the display panel to the display enclosure

(2) One screw that secures the ambient light sensor to the display enclosure

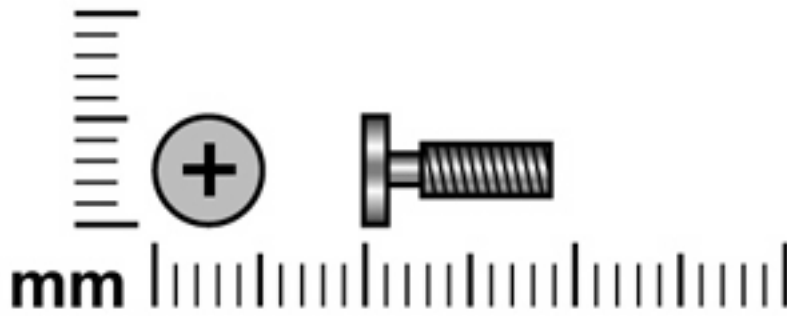


**(3)** One screw that secures the display inverter to the display enclosure

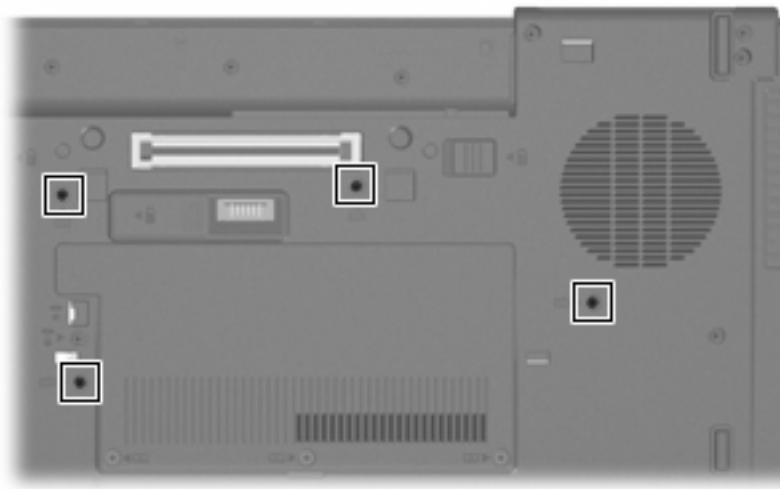


**Where used:** One screw that secures the system board to the base enclosure

## Phillips PM2.5×9.0 captive screw

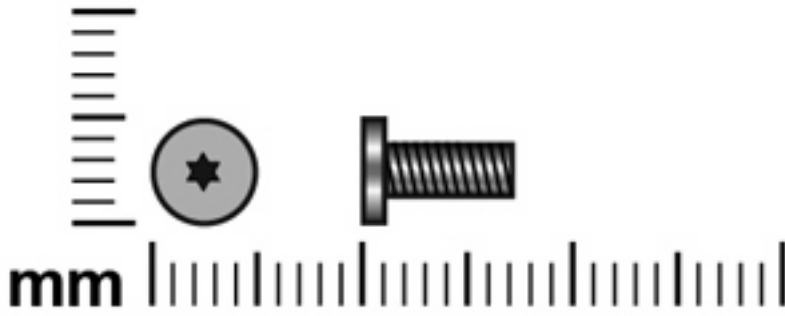


Color	Quantity	Length	Thread	Head diameter
Black	4	9.0 mm	2.5 mm	5.0 mm

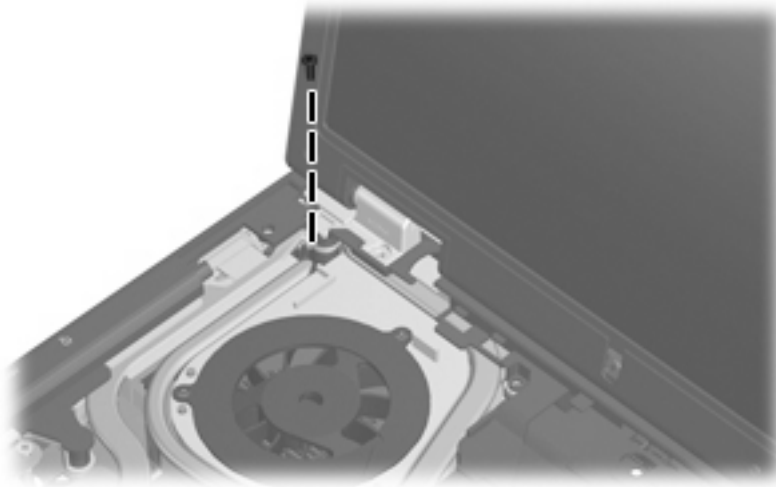


**Where used:** 3 captive screws that secure the keyboard to the computer

## Torx T8M2.5×7.0 screw



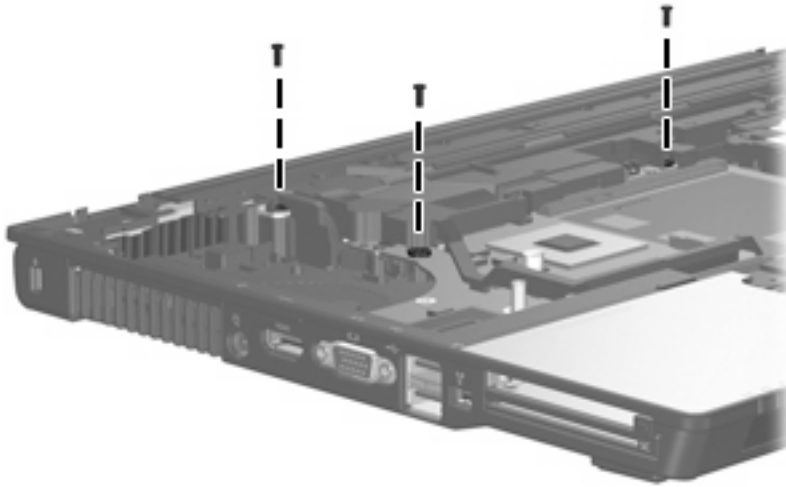
Color	Quantity	Length	Thread	Head diameter
Black	9	7.0 mm	2.5 mm	5.0 mm



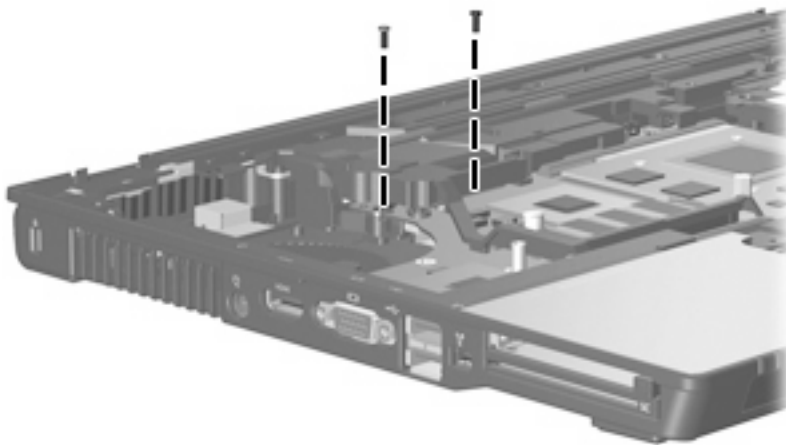
**Where used:** One screw that secures the fan/heat sink assembly to the computer



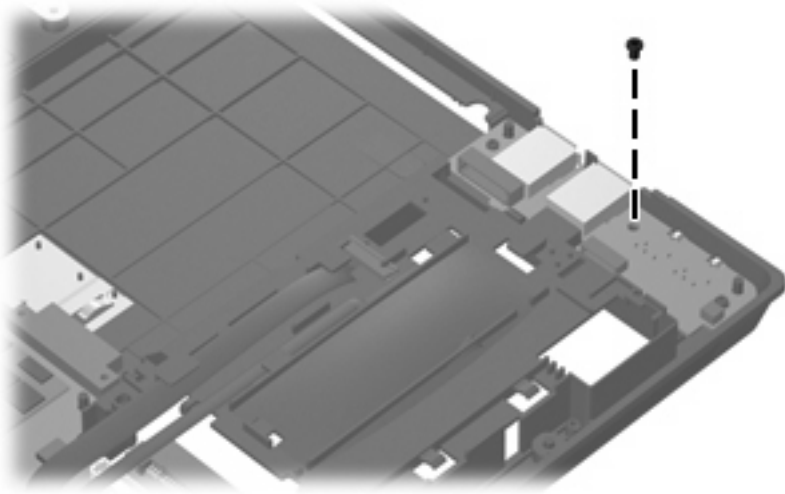
**Where used:** 2 screws that secure the display panel to the display enclosure



**Where used:** 3 screws that secure the top cover to the base enclosure

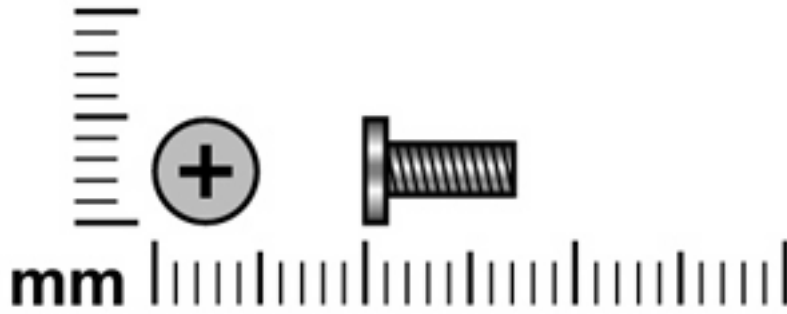


**Where used:** 2 screws that secure the system board to the base enclosure

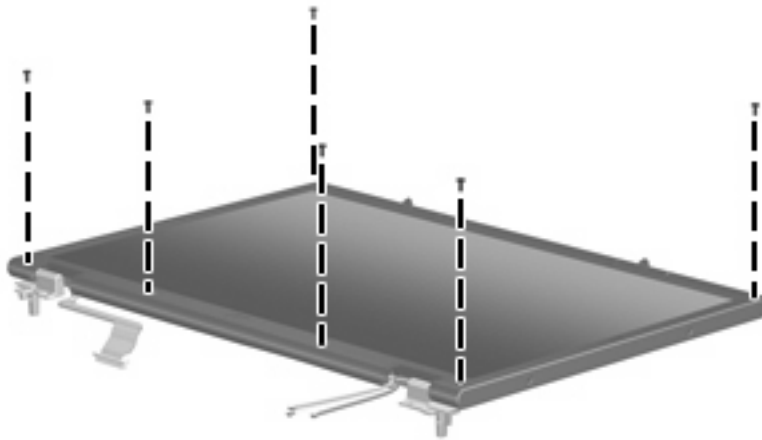


**Where used:** One screw that secures the USB/audio board to the base enclosure

## Phillips PM2.5×7.0 screw

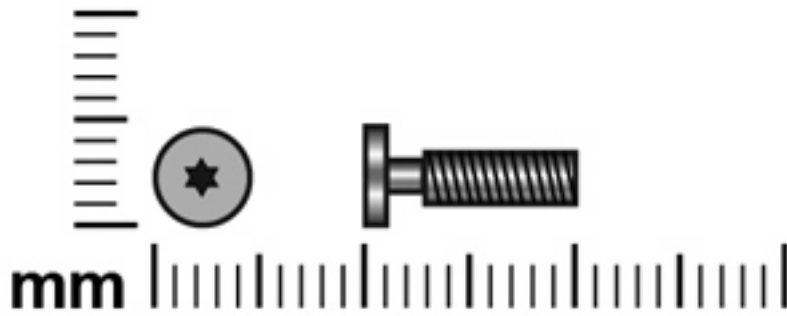


Color	Quantity	Length	Thread	Head diameter
Silver	6	7.0 mm	2.5 mm	5.0 mm

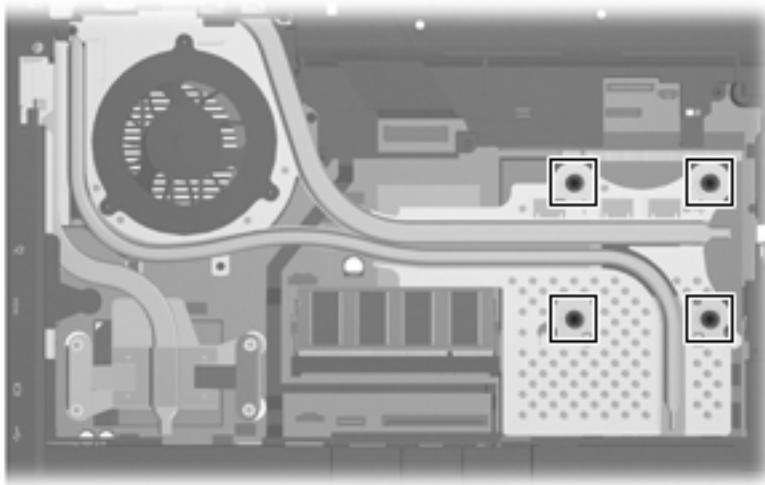


**Where used:** 6 screws that secure the display bezel to the display enclosure

## Torx T8M2.0×10.0 captive screw

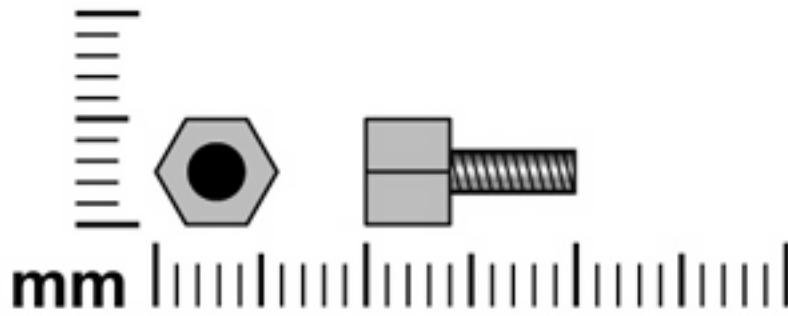


Color	Quantity	Length	Thread	Head diameter
Black	4	10.0 mm	2.0 mm	5.0 mm

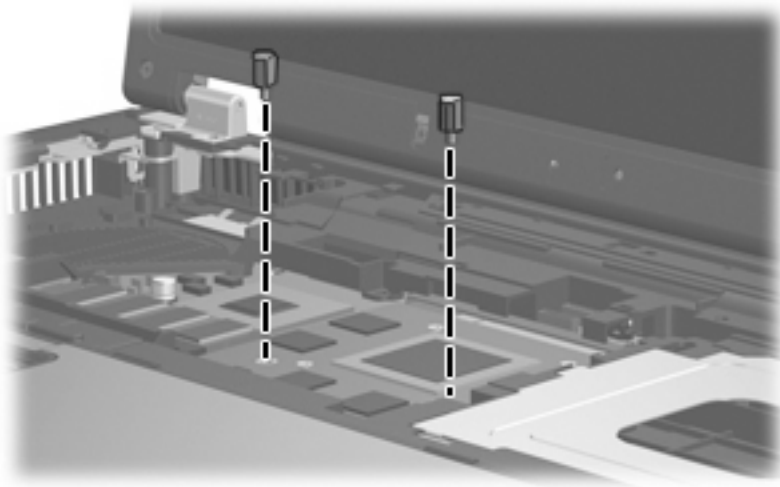


**Where used:** 4 captive screws that secure the fan/heat sink assembly to the system board

## Hex Metric HM5.0×10.0 standoff



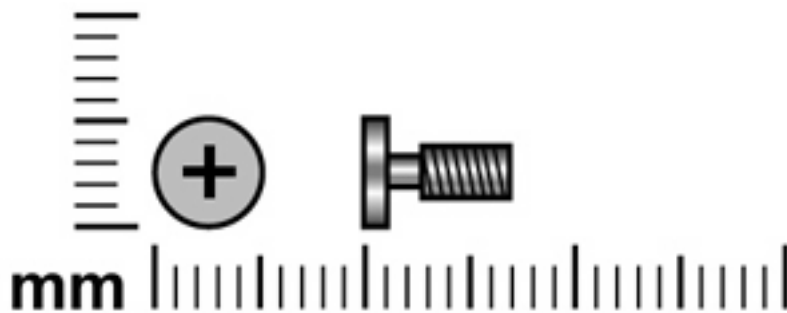
Color	Quantity	Length	Thread	Head diameter
Silver	2	10.0 mm	2.5 mm	5.0 mm



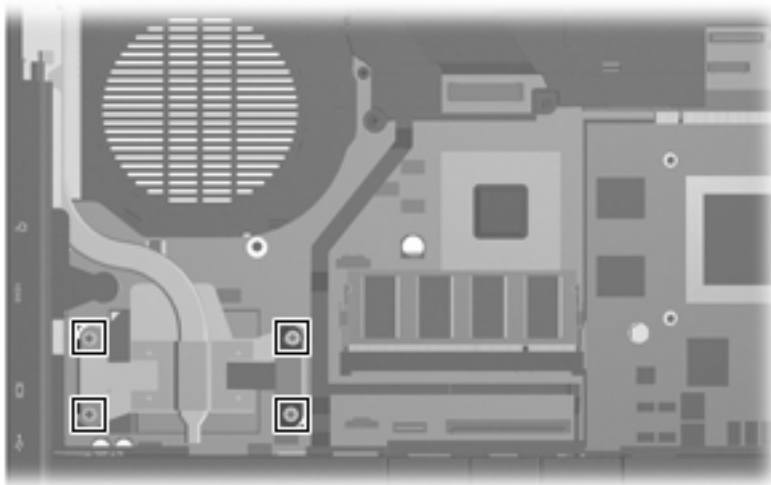
**Where used:** 2 standoffs that secure the graphics card to the system board



## Phillips PM2.5×7.0 captive screw

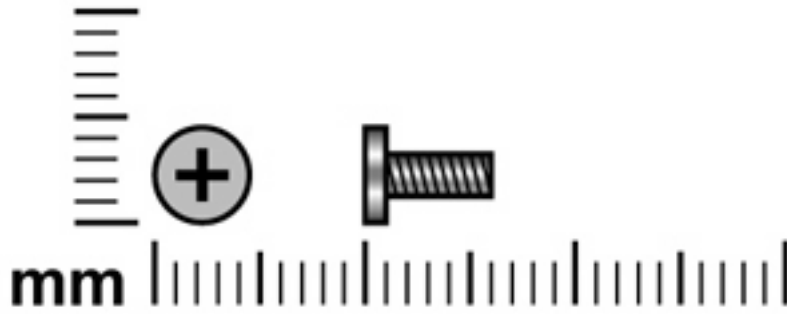


Color	Quantity	Length	Thread	Head diameter
Black	4	7.0 mm	2.5 mm	5.0 mm

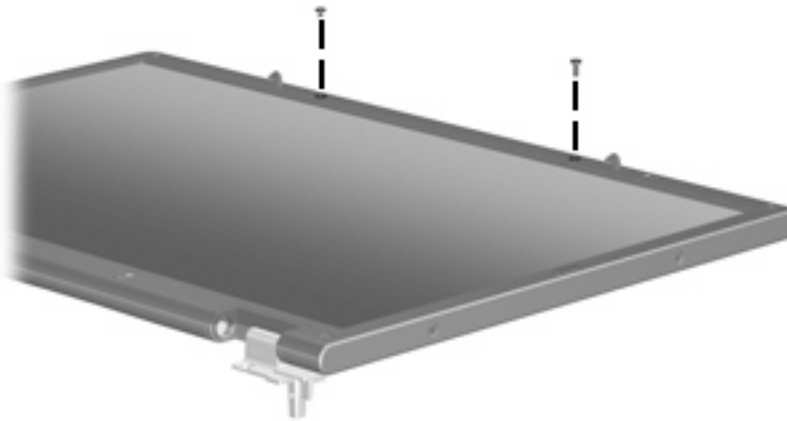


**Where used:** 4 captive screws that secure the processor heat sink to the base enclosure

## Phillips PM2.0×6.0 screw



Color	Quantity	Length	Thread	Head diameter
Silver	2	6.0 mm	2.0 mm	5.0 mm



**Where used:** 2 screws that secure the display bezel to the display enclosure

---

# 8 Backup and recovery in Windows Vista


## Creating recovery discs

After setting up the computer for the first time, be sure to create a set of recovery discs of the full factory image. The recovery discs are used to start up (boot) the computer and recover the operating system and software to factory settings in case of system instability or failure.

Note the following guidelines before creating recovery discs:

- Use any of the following types of discs: CD-R, DVD+R, DVD+R DL, DVD-R, or DVD-R DL (purchased separately). The discs you use will depend on the type of optical drive installed in your computer. Because DVDs store more information than CDs, DVDs and DVDs with double-layer (DL) support reduce the number of discs required.

---

 **NOTE:** Read-write discs, such as CD-RW, DVD+RW, and DVD-RW, are not compatible with the HP Backup & Recovery Manager software.


---

- The computer must be connected to AC power during the process.
- Only one set of the recovery discs can be created per computer.
- Number each disc before inserting it into the optical drive of the computer.
- If necessary, you can cancel the disc creation before you have finished and pointing stick creating the recovery discs. The next time you select **Create a set of recovery discs (Recommended)**, you will be prompted to continue the disc creation.

To create a set of recovery discs:

1. Select **Start > All Programs > HP Backup & Recovery > Backup & Recovery Manager**.
2. Click **Next**.
3. Click **Create a set of recovery discs (Recommended)**, and then click **Next**.
4. Follow the on-screen instructions.

# Backing up your information

 **NOTE:** You can only recover files that you have previously backed up. HP recommends that you use HP Backup & Recovery Manager to create an entire drive backup as soon as you set up your computer.

---

With HP Backup & Recovery Manager, you can perform the following tasks:

- Backing up your information regularly to protect your important system files
- Creating system recovery points that allow you to reverse undesirable changes to your computer by restoring the computer to an earlier state
- Scheduling backups at specific intervals or events

## When to back up

- On a regularly scheduled basis

 **NOTE:** Set reminders to back up your information periodically.

---

- Before the computer is repaired or restored
- Before you add or modify hardware or software

## Backup suggestions

- Create a set of recovery discs using HP Backup & Recovery Manager.
- Create system recovery points using HP Backup & Recovery Manager, and periodically copy them to disc.
- Store personal files in the Documents folder and back up these folders periodically.
- Back up templates stored in their associated programs.
- Save customized settings in a window, toolbar, or menu bar by taking a screen shot of your settings.

The screen shot can be a time saver if you have to reset your preferences.


To copy the screen and paste it into a word-processing document:

- a. Display the screen.
- b. Copy the screen.

To copy only the active window, press **alt+fn+prt sc**.

To copy the entire screen, press **fn+prt sc**.

- c. Open a word-processing document, and then select **Edit > Paste**.

 **NOTE:** Before you can perform backup and recovery procedures, the computer must be connected to external power.

**NOTE:** Drivers, utilities, and applications installed by HP can be copied to a CD or to a DVD using HP Backup & Recovery Manager.

---

## Backing up specific files or folders

You can back up specific files or folders to the recovery partition on the hard drive, to an optional external hard drive, or to optical discs (CDs or DVDs).

---

 **NOTE:** This process will take several minutes, depending on the file size and the speed of the computer.


To back up specific files or folders:

1. Select **Start > All Programs > HP Backup & Recovery > Backup & Recovery Manager**.
2. Click **Next**.
3. Click **Create or manage backups**, and then click **Next**.
4. Click **Back up user created files and folders**, and then click **Next**.
5. Follow the on-screen instructions.

## Backing up the entire hard drive

When you perform a complete backup of the hard drive, you are saving the full factory image, including the Windows® operating system, software applications, and all personal files and folders.

---

 **NOTE:** A copy of the entire hard drive image can be stored on another hard drive, on a network drive, or on recovery discs that you create.

---


**NOTE:** This process may take over an hour, depending on your computer speed and the amount of data being stored.

To back up your entire hard drive:

1. Select **Start > All Programs > HP Backup & Recovery > Backup & Recovery Manager**.
2. Click **Next**.
3. Click **Create or manage backups**, and then click **Next**.
4. Click **Create or manage Entire Drive Backups**, and then click **Next**.
5. Follow the on-screen instructions.


## Creating recovery points

When you back up modifications since your last backup, you are creating system recovery points. This allows you to save a snapshot of your hard drive at a specific point in time. You can then recover back to that point if you want to reverse subsequent changes made to your system.

 **NOTE:** The first system recovery point, a snapshot of the entire image, is automatically created the first time you perform a backup. Subsequent recovery points make copies of changes made after that time.

HP recommends that you create recovery points at the following times:

- Before you add or extensively modify software or hardware
- Periodically, whenever the system is performing optimally

 **NOTE:** Recovering to an earlier recovery point does not affect data files or e-mails created since that recovery point.

To create a system recovery point:

1. Select **Start > All Programs > HP Backup & Recovery > Backup & Recovery Manager**.
2. Click **Next**.
3. Click **Create or manage backups**, and then click **Next**.
4. Click **Create or manage Recovery Points**, and then click **Next**.
5. Follow the on-screen instructions.


## Scheduling backups

Use HP Backup Scheduler to schedule backups for the entire system, for recovery points, or for specific files and folders. With this tool, you can schedule backups at specific intervals (daily, weekly, or monthly) or at specific events, such as at system restart or when you dock to an optional docking station (select models only).

To schedule backups:

1. Select **Start > All Programs > HP Backup & Recovery > HP Backup Scheduler**.
2. Follow the on-screen instructions.

# Performing a recovery

 **NOTE:** You can only recover files that you have previously backed up. HP recommends that you use HP Backup & Recovery Manager to create an entire drive backup as soon as you set up your computer.

HP Backup & Recovery Manager helps you with the following tasks for safeguarding your information and restoring it in case of a system failure:

- Recovering important files—This feature helps you reinstall important files without performing a full system recovery.
- Performing a full system recovery—With HP Backup & Recovery Manager, you can recover your full factory image if you experience system failure or instability. HP Backup & Recovery Manager works from a dedicated recovery partition on the hard drive or from recovery discs you create.

## Performing a recovery from the recovery discs

To perform a recovery from the recovery discs, follow these steps:

1. Back up all personal files.
2. Insert the first recovery disc into the optical drive and restart the computer.
3. Follow the on-screen instructions.

## Performing a recovery from the hard drive

There are 2 ways to initiate a recovery from the hard drive:

- From within Windows
- From the recovery partition

## Initiating a recovery in Windows

To initiate a recovery in Windows, follow these steps:

1. Back up all personal files.
2. Select **Start > All Programs > HP Backup & Recovery > Backup & Recovery Manager**.
3. Click **Next**.
4. Click **Perform a recovery**, and then click **Next**.
5. Follow the on-screen instructions.

## Initiating a recovery from the hard drive recovery partition

To initiate a recovery from the hard drive recovery partition, follow these steps:

1. Back up all personal files.
2. Restart the computer, and then press **f11** before the Windows operating system loads.
3. Click a recovery option, and then click **Next**.
4. Follow the on-screen instructions.



---

# 9 Backup and recovery in Windows XP


## Creating recovery discs

After setting up the computer for the first time, be sure to create a set of recovery discs of the full factory image. The recovery discs are used to start up (boot) the computer and recover the operating system and software to factory settings in case of system instability or failure.

Note the following guidelines before creating recovery discs:

- Use any of the following types of discs: CD-R, DVD+R, DVD+R DL, DVD-R, or DVD-R DL (purchased separately). The discs you use will depend on the type of optical drive installed in your computer. Because DVDs store more information than CDs, DVDs and DVDs with double-layer (DL) support reduce the number of discs required.

---

 **NOTE:** Read-write discs, such as CD-RW, DVD+RW, and DVD-RW, are not compatible with the HP Backup and Recovery Manager software.


---

- The computer must be connected to AC power during the process.
- Only one set of the recovery discs can be created per computer.
- Number each disc before inserting it into the optical drive of the computer.
- If necessary, you can cancel the disc creation before you have finished and pointing stick creating the recovery discs. The next time you select **Create factory software recovery CDs or DVDs to recover the system (Highly recommended)**, you will be prompted to continue the disc creation.

To create a set of recovery discs:

1. Select **Start > All Programs > HP Backup & Recovery > HP Backup and Recovery Manager**.
2. Click **Next**.
3. Click **Create factory software recovery CDs or DVDs to recover the system (Highly recommended)**, and then click **Next**.
4. Follow the on-screen instructions.

# Backing up your information

 **NOTE:** You can only recover files that you have previously backed up. HP recommends that you use HP Backup and Recovery Manager to create an entire drive backup as soon as you set up your computer.

---

With HP Backup and Recovery Manager, you can perform the following tasks:

- Backing up your information regularly to protect your important system files
- Creating system recovery points that allow you to reverse undesirable changes to your computer by restoring the computer to an earlier state
- Scheduling backups at specific intervals or events

## When to back up

- On a regularly scheduled basis

 **NOTE:** Set reminders to back up your information periodically.

---

- Before the computer is repaired or restored
- Before you add or modify hardware or software


## Backup suggestions

- Create a set of recovery discs using HP Backup and Recovery Manager.
- Create system recovery points using HP Backup and Recovery Manager, and periodically copy them to disc.
- Store personal files in the My Documents folder and back up these folders periodically.
- Back up templates stored in their associated programs.
- Save customized settings in a window, toolbar, or menu bar by taking a screen shot of your settings.

The screen shot can be a time saver if you have to reset your preferences.

To copy the screen and paste it into a word-processing document:

- a. Display the screen.
- b. Copy the screen.  
To copy only the active window, press **alt+fn+prt sc**.  
To copy the entire screen, press **fn+prt sc**.
- c. Open a word-processing document, and then select **Edit > Paste**.

 **NOTE:** Before you can perform backup and recovery procedures, the computer must be connected to external power.

**NOTE:** Drivers, utilities, and applications installed by HP can be copied to a CD or to a DVD using HP Backup and Recovery Manager.

---

## Backing up specific files or folders

You can back up specific files or folders to the recovery partition on the hard drive, to an optional external hard drive, or to optical discs (CDs or DVDs).

---

 **NOTE:** This process will take several minutes, depending on the file size and the speed of the computer.


To back up specific files or folders:

1. Select **Start > All Programs > HP Backup & Recovery > HP Backup and Recovery Manager**.
2. Click **Next**.
3. Click **Back up to protect system settings and important data files**, and then click **Next**.
4. Click **Back up individual files and folders**, and then click **Next**.
5. Follow the on-screen instructions.

## Backing up the entire hard drive

When you perform a complete backup of the hard drive, you are saving the full factory image, including the Windows® operating system, software applications, and all personal files and folders.

---

 **NOTE:** A copy of the entire hard drive image can be stored on another hard drive, on a network drive, or on recovery discs that you create.

**NOTE:** This process may take over an hour, depending on your computer speed and the amount of data being stored.


---

To back up your entire hard drive:

1. Select **Start > All Programs > HP Backup & Recovery > HP Backup and Recovery Manager**.
2. Click **Next**.
3. Click **Back up to protect system settings and important data files**, and then click **Next**.
4. Click **Back up entire hard drive**, and then click **Next**.
5. Follow the on-screen instructions.


## Creating recovery points

When you back up modifications since your last backup, you are creating system recovery points. This allows you to save a snapshot of your hard drive at a specific point in time. You can then recover back to that point if you want to reverse subsequent changes made to your system.

 **NOTE:** The first system recovery point, a snapshot of the entire image, is automatically created the first time you perform a backup. Subsequent recovery points make copies of changes made after that time.

HP recommends that you create recovery points at the following times:

- Before you add or extensively modify software or hardware
- Periodically, whenever the system is performing optimally

 **NOTE:** Recovering to an earlier recovery point does not affect data files or e-mails created since that recovery point.

To create a system recovery point:

1. Select **Start > All Programs > HP Backup & Recovery > HP Backup and Recovery Manager**.
2. Click **Next**.
3. Click **Back up to protect system settings and important data files**, and then click **Next**.
4. Click **Create or manage Recovery Points**, and then click **Next**.
5. Follow the on-screen instructions.


## Scheduling backups

Use HP Backup Scheduler to schedule backups for the entire system, for recovery points, or for specific files and folders. With this tool, you can schedule backups at specific intervals (daily, weekly, or monthly) or at specific events, such as at system restart or when you dock to an optional docking station (select models only).

To schedule backups:

1. Select **Start > All Programs > HP Backup & Recovery > HP Backup Scheduler**.
2. Follow the on-screen instructions.

# Performing a recovery

 **NOTE:** You can only recover files that you have previously backed up. HP recommends that you use HP Backup and Recovery Manager to create an entire drive backup as soon as you set up your computer.

HP Backup and Recovery Manager helps you with the following tasks for safeguarding your information and restoring it in case of a system failure:

- Recovering important files—This feature helps you reinstall important files without performing a full system recovery.
- Performing a full system recovery—With HP Backup and Recovery Manager, you can recover your full factory image if you experience system failure or instability. HP Backup and Recovery Manager works from a dedicated recovery partition on the hard drive or from recovery discs you create.

## Performing a recovery from the recovery discs

To perform a recovery from the recovery discs, follow these steps:

1. Back up all personal files.
2. Insert the first recovery disc into the optical drive and restart the computer.
3. Follow the on-screen instructions.

## Performing a recovery from the hard drive

There are 2 ways to initiate a recovery from the hard drive:

- From within Windows
- From the recovery partition

## Initiating a recovery in Windows

To initiate a recovery in Windows, follow these steps:

1. Back up all personal files.
2. Select **Start > All Programs > HP Backup & Recovery > HP Backup and Recovery Manager**.
3. Click **Next**.
4. Click **Recover important files or the entire system**, and then click **Next**.
5. Follow the on-screen instructions.

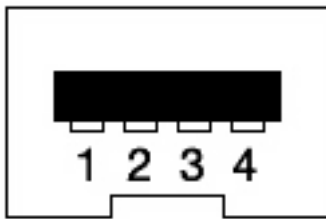
## Initiating a recovery from the hard drive recovery partition

To initiate a recovery from the hard drive recovery partition, follow these steps:

1. Back up all personal files.
2. Restart the computer, and then press **f11** before the Windows operating system loads.
3. Click a recovery option, and then click **Next**.
4. Follow the on-screen instructions.

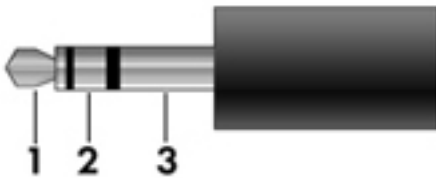
# 10 Connector pin assignments

## 1394



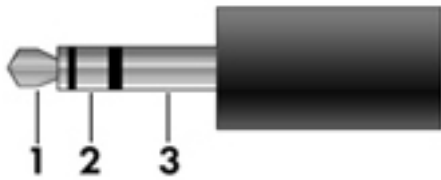
Pin	Signal
1	Twisted pair B-
2	Twisted pair B+
3	Twisted pair A-
4	Twisted pair A+

## Audio-out (headphone)



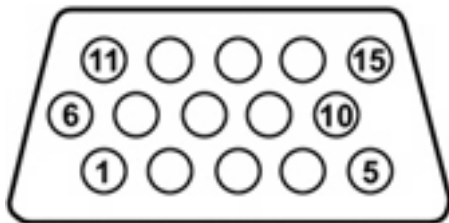
Pin	Signal
1	Audio out, left channel
2	Audio out, right channel
3	Ground

## Audio-in (microphone)



Pin	Signal
1	Audio signal in
2	Audio signal in
3	Ground

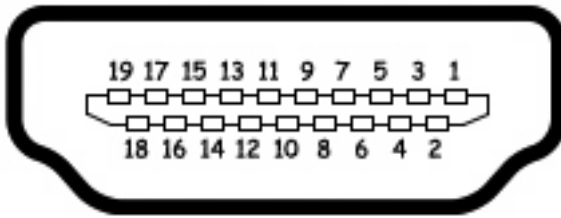
## External monitor



Pin	Signal
1	Red analog
2	Green analog
3	Blue analog
4	Not connected
5	Ground
6	Ground analog
7	Ground analog
8	Ground analog
9	+5 VDC
10	Ground
11	Monitor detect
12	DDC 2B data
13	Horizontal sync
14	Vertical sync
15	DDC 2B clock

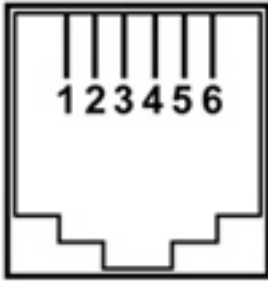


# HDMI



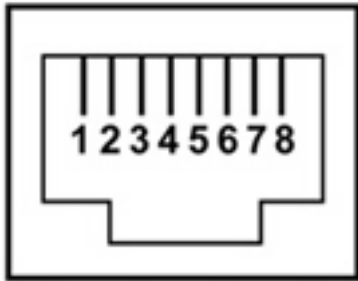
Pin	Signal
1	TMDS data 2+
2	TMDS data 2 shield
3	TMDS data 2-
4	TMDS data 1+
5	TMDS data 1 shield
6	TMDS data 1-
7	TMDS data 0+
8	TMDS data 0 shield
9	TMDS data 0-
10	TMDS clock+
11	TMDS clock shield
12	TMDS clock-
13	CEC
14	No connect
15	DDC clock
16	DDC data
17	Ground
18	+5V power
19	Hot plug detect
20	Shell

## RJ-11 (modem)



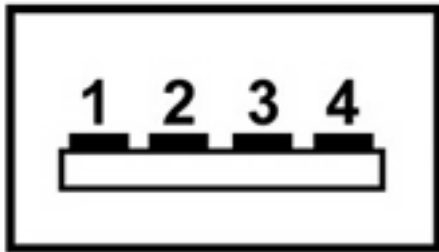
Pin	Signal
1	Unused
2	Tip
3	Ring
4	Unused
5	Unused
6	Unused

## RJ-45 (network)



Pin	Signal
1	Transmit +
2	Transmit -
3	Receive +
4	Unused
5	Unused
6	Receive -
7	Unused
8	Unused

## Universal Serial Bus



Pin	Signal
1	+5 VDC
2	Data -
3	Data +
4	Ground

---

# 11 Power cord set requirements

The wide range input feature of the computer permits it to operate from any line voltage from 100 to 120 volts AC or from 220 to 240 volts AC.

The 3-conductor power cord set included with the computer meets the requirements for use in the country or region where the equipment is purchased.

Power cord sets for use in other countries and regions must meet the requirements of the country or region where the computer is used.

## Requirements for all countries and regions

The requirements listed below are applicable to all countries and regions:

- The length of the power cord set must be at least 1.5 m (5.0 ft) and no more than 2.0 m (6.5 ft).
- All power cord sets must be approved by an acceptable accredited agency responsible for evaluation in the country or region where the power cord set will be used.
- The power cord sets must have a minimum current capacity of 10 amps and a nominal voltage rating of 125 or 250 V AC, as required by the power system of each country or region.
- The appliance coupler must meet the mechanical configuration of an EN 60 320/IEC 320 Standard Sheet C13 connector for mating with the appliance inlet on the back of the computer.

## Requirements for specific countries and regions

Country/region	Accredited agency	Applicable note number
Australia	EANSW	1
Austria	OVE	1
Belgium	CEBC	1
Canada	CSA	2
Denmark	DEMKO	1
Finland	FIMKO	1
France	UTE	1
Germany	VDE	1
Italy	IMQ	1
Japan	METI	3
Korea	EK	4
The Netherlands	KEMA	1
Norway	NEMKO	1
The People's Republic of China	CCC	5
Sweden	SEMKO	1
Switzerland	SEV	1
Taiwan	BSMI	4
The United Kingdom	BSI	1
The United States	UL	2

1. The flexible cord must be Type HO5VV-F, 3-conductor, 1.0-mm<sup>2</sup> conductor size. Power cord set fittings (appliance coupler and wall plug) must bear the certification mark of the agency responsible for evaluation in the country or region where it will be used.
2. The flexible cord must be Type SPT-3 or equivalent, No. 18 AWG, 3-conductor. The wall plug must be a two-pole grounding type with a NEMA 5-15P (15 A, 125 V) or NEMA 6-15P (15 A, 250 V) configuration.
3. The appliance coupler, flexible cord, and wall plug must bear a "T" mark and registration number in accordance with the Japanese Dentori Law. The flexible cord must be Type VCT or VCTF, 3-conductor, 1.00-mm<sup>2</sup> conductor size. The wall plug must be a two-pole grounding type with a Japanese Industrial Standard C8303 (7 A, 125 V) configuration.
4. The flexible cord must be Type RVV, 3-conductor, 0.75-mm<sup>2</sup> conductor size. Power cord set fittings (appliance coupler and wall plug) must bear the certification mark of the agency responsible for evaluation in the country or region where it will be used.
5. The flexible cord must be Type VCTF, 3-conductor, 0.75-mm<sup>2</sup> conductor size. Power cord set fittings (appliance coupler and wall plug) must bear the certification mark of the agency responsible for evaluation in the country or region where it will be used.

# 12 Recycling

## Battery

When a battery has reached the end of its useful life, do not dispose of the battery in general household waste. Follow the local laws and regulations in your area for computer battery disposal.

## Display

- ⚠ **WARNING!** The backlight contains mercury. Exercise caution when removing and handling the backlight to avoid damaging this component and and pointing stick causing exposure to the mercury.
- ⚠ **CAUTION:** The procedures in this appendix can result in damage to display components. The only components intended for recycling purposes are the liquid and pointing stick crystal display (LCD) panel and the backlight. Careful handling must be exercised when removing these components. When you remove these components, handle them carefully.
- 📄 **NOTE: Materials Disposal.** This HP product contains mercury in the backlight in the display assembly that might require special handling at end-of-life. Disposal of mercury may be regulated because of environmental considerations. For disposal or recycling information, contact your local authorities, or see the Electronic Industries Alliance (EIA) Web site at <http://www.eiae.org>.

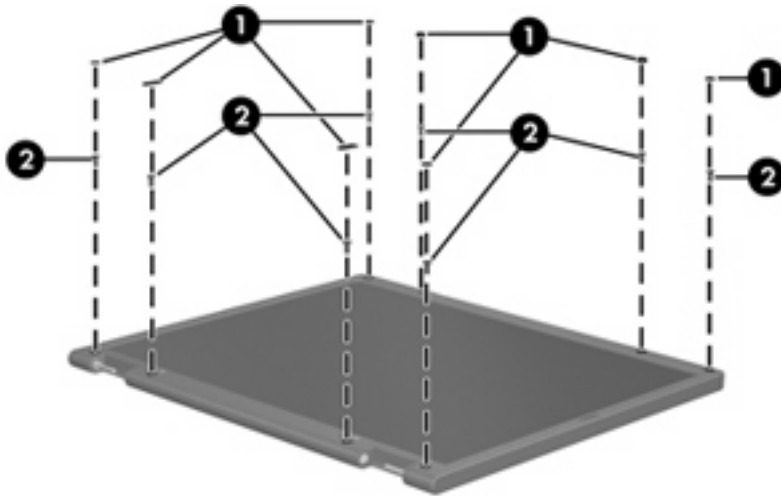
This section provides disassembly instructions for the display assembly. The display assembly must be disassembled to gain access to the backlight **(1)** and the liquid crystal display (LCD) panel **(2)**.



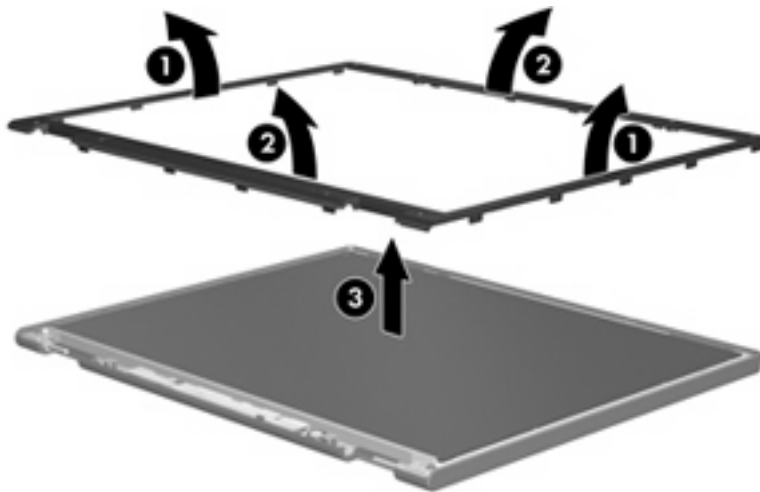
- 📄 **NOTE:** The procedures provided in this appendix are general disassembly instructions. Specific details, such as screw sizes, quantities, and locations, and and pointing stick component shapes and sizes, can vary from one computer model to another.

Perform the following steps to disassemble the display assembly:

1. Remove all screw covers **(1)** and screws **(2)** that secure the display bezel to the display assembly.

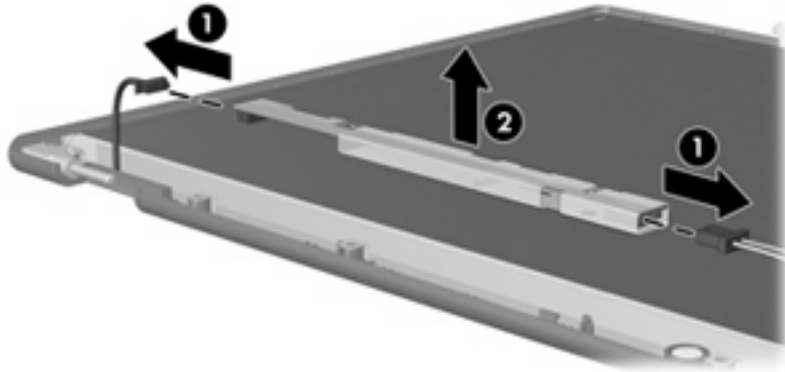


2. Lift up and out on the left and right inside edges **(1)** and the top and bottom inside edges **(2)** of the display bezel until the bezel disengages from the display assembly.
3. Remove the display bezel **(3)**.

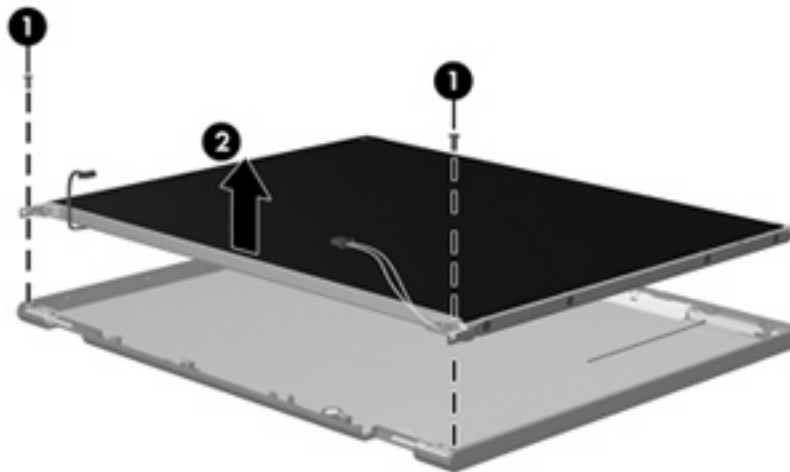




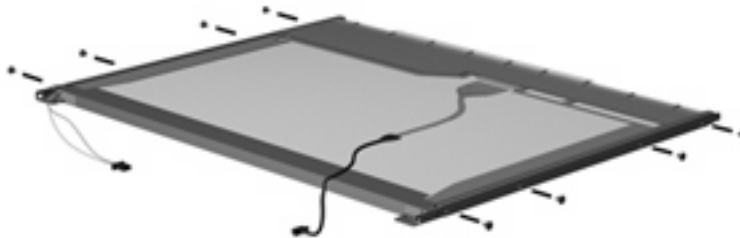
4. Disconnect all display panel cables **(1)** from the display inverter and remove the inverter **(2)**.



5. Remove all screws **(1)** that secure the display panel assembly to the display enclosure.
6. Remove the display panel assembly **(2)** from the display enclosure.

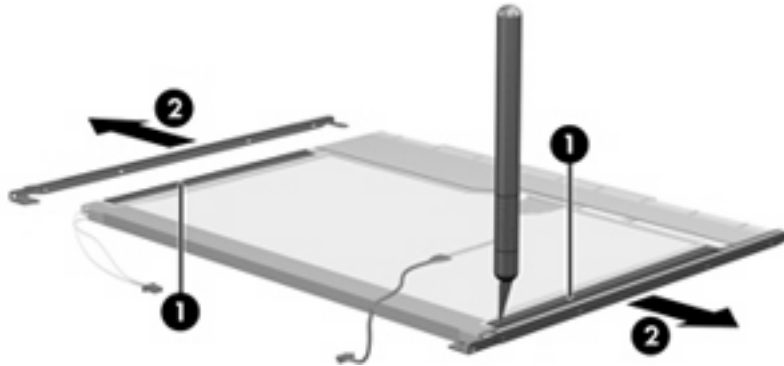


7. Turn the display panel assembly upside down.
8. Remove all screws that secure the display panel frame to the display panel.

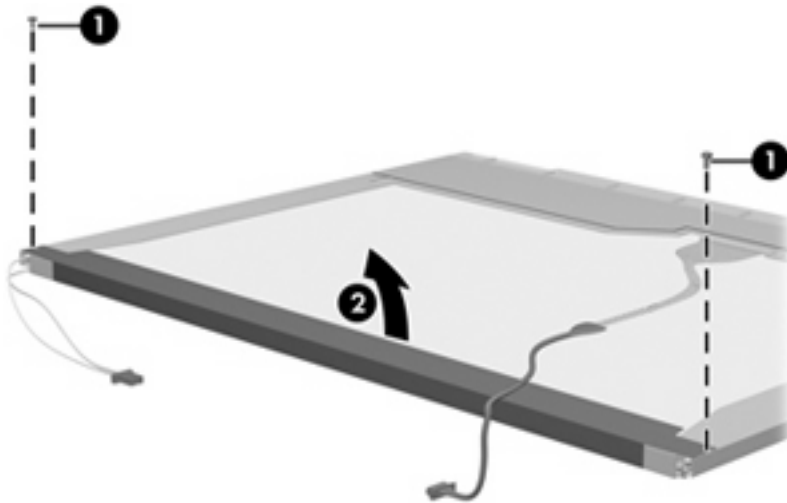


9. Use a sharp-edged tool to cut the tape **(1)** that secures the sides of the display panel to the display panel frame.

10. Remove the display panel frame **(2)** from the display panel.

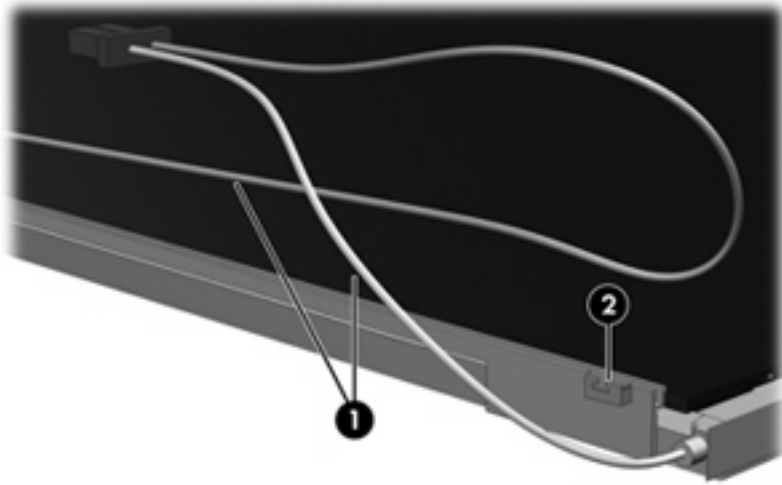


11. Remove the screws **(1)** that secure the backlight cover to the display panel.
12. Lift the top edge of the backlight cover **(2)** and swing it outward.



13. Remove the backlight cover.
14. Turn the display panel right-side up.

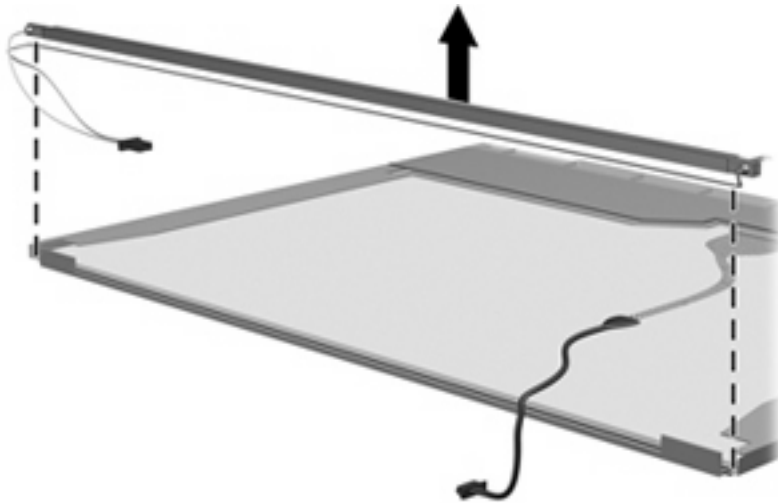
15. Remove the backlight cables (1) from the clip (2) in the display panel.



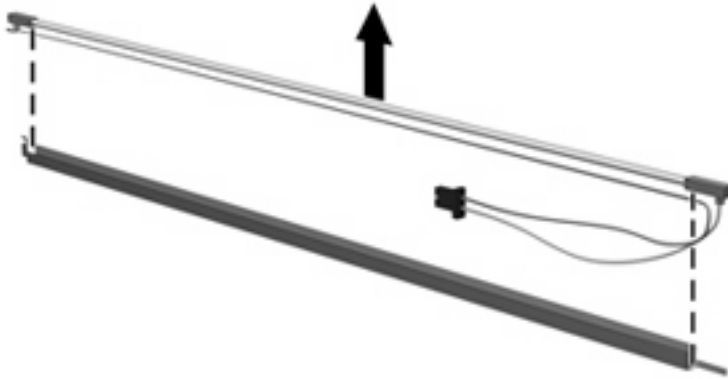
16. Turn the display panel upside down.

**⚠ WARNING!** The backlight contains mercury. Exercise caution when removing and handling the backlight to avoid damaging this component and pointing stick causing exposure to the mercury.

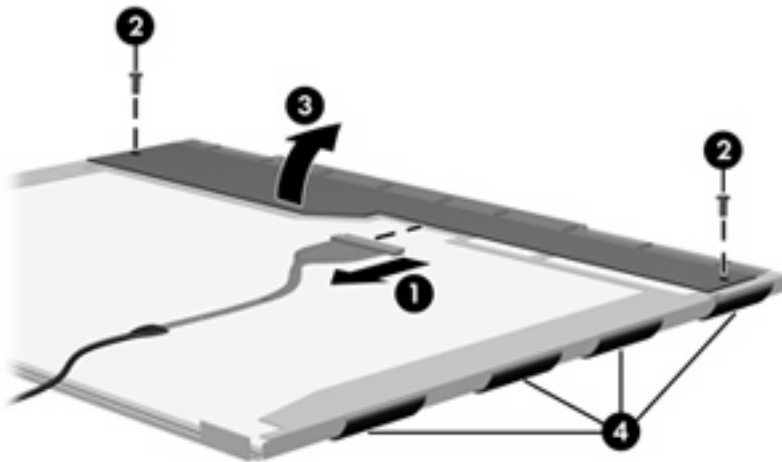
17. Remove the backlight frame from the display panel.



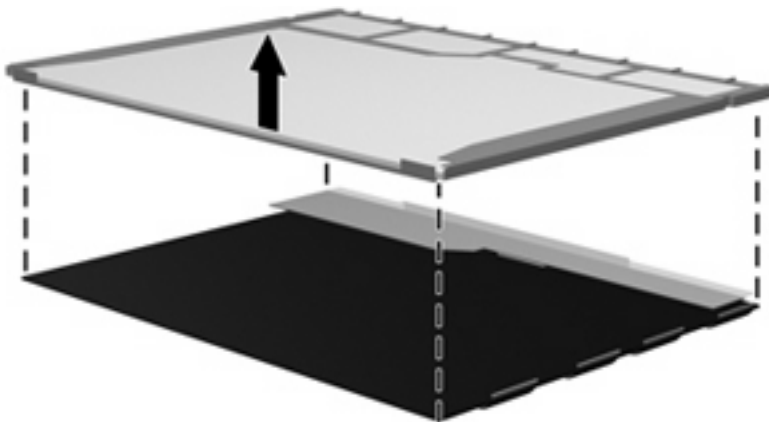
18. Remove the backlight from the backlight frame.



19. Disconnect the display panel cable (1) from the LCD panel.
20. Remove the screws (2) that secure the LCD panel to the display rear panel.
21. Release the LCD panel (3) from the display rear panel.
22. Release the tape (4) that secures the LCD panel to the display rear panel.



23. Remove the LCD panel.



24. Recycle the LCD panel and backlight.

# Index

## Symbols/Numerics

- 1394 port
  - location 14
  - pin assignments 143

## A

- AC adapter, spare part numbers 27, 34
- accessory battery connector 16
- ambient light sensor 7
- ambient light sensor board
  - removal 43
  - spare part number 19, 32, 43
- antennae
  - disconnecting 53
  - locations 7
- audio, product description 3
- audio-in jack
  - location 15
  - pin assignments 144
- audio-out jack
  - location 15
  - pin assignments 143

## B

- backing up 132, 138
- backup
  - files and folders 133, 139
  - hard drive 133, 139
  - modifications made to the system 134, 140
  - scheduling 134, 140
- base enclosure, spare part number 22, 32
- battery
  - location 16
  - removal 42
  - spare part number 22, 32, 42

- battery bay 16
- battery latches 16
- battery light 10, 13
- Bluetooth module
  - removal 48
  - spare part number 22, 33, 48
- Bluetooth module cable
  - illustrated 26
  - removal 86
- boot options 95
- boot order 95
- bottom components 16
- buttons
  - calculator 9
  - info 8
  - power 8
  - presentation 8
  - volume mute 9
  - wireless 8

## C

- Cable Kit
  - contents 26
  - spare part number 24, 26, 33
- cables, service considerations 36
- calculator button 9
- caps lock light 10
- carrying case, spare part number 28, 29
- chipset, product description 1
- CMOS clearing 40
- components
  - bottom 16
  - buttons 8
  - display 7
  - fingerprint reader 8
  - front 13
  - keys 9

- left-side 14
- lights 10
- pointing devices 12
- rear 15
- right-side 15
- switches 8
- top 8
- computer feet
  - locations 41
  - spare part number 22, 34, 41
- Computer Setup
  - accessing 91
  - Diagnostics menu 94
  - File menu 93
  - navigating and selecting 92
  - restoring factory settings 92
  - Security menu 94
  - System Configuration menu 95
  - using 92
- computer specifications 97
- connectors
  - accessory battery 16
  - docking 16
  - service considerations 36
- creating recovery points 134, 140

## D

- Diagnostics menu 94
- Disk Sanitizer 94
- diskette drive
  - precautions 36
  - product description 3
  - spare part number 28, 29
- display assembly
  - removal 74
  - spare part numbers 18, 33, 74

- display bezel
    - release 43
    - removal 76
    - spare part number 19, 33
  - Display Bracket Kit, spare part number 19, 33
  - display cable, spare part number 33
  - display component recycling 151
  - display components 7
  - display enclosure, spare part number 19, 33
  - display hinge
    - removal 78
    - spare part number 19, 33, 79
  - display inverter
    - removal 43
    - spare part number 19, 33, 43
  - display panel
    - product description 1
    - removal 78
  - display panel cable, spare part number 19
  - display release latch 13
  - Display Rubber Kit, spare part number 19, 33
  - Display Screw Kit, spare part number 19, 33
  - display specifications 98, 99, 100
  - docking connector 16
  - docking support, product description 4
  - drive light 10, 13
  - DriveLock password 94
  - drives
    - boot order 95
    - preventing damage 36
  - DVD-ROM Drive
    - precautions 36
    - removal 55
    - spare part numbers 24, 27, 28, 29, 33, 55
    - specifications 104
  - DVD-RW Drive
    - precautions 36
    - removal 55
  - spare part number 24, 27, 33, 55
  - specifications 102
  - DVD/CD-RW Combo Drive
    - precautions 36
    - removal 55
    - spare part numbers 24, 27, 28, 29, 33, 55
    - specifications 103
  - DVD±RW and CD-RW Combo Drive
    - precautions 36
    - removal 55
    - spare part numbers 24, 27, 33, 55
    - specifications 102
- E**
- electrostatic discharge 37
  - esc key 9
  - Ethernet, product description 3
  - Execution Disable 95
  - external media cards, product description 4
  - external monitor port
    - location 14
    - pin assignments 144
  - External MultiBay II power cable and stand, spare part number 27, 29
  - External MultiBay II, spare part number 27, 29
- F**
- fan/heat sink assembly
    - removal 67
    - spare part number 21, 34, 67
  - feet
    - locations 41
    - spare part number 22, 34, 41
  - File menu 93
  - fn key 9
  - front components 13
  - function keys 9
- G**
- graphics card
    - removal 69
    - spare part numbers 21, 33, 34, 69
  - graphics, product description 1
  - grounding equipment and methods 39
- H**
- hard drive
    - location 16
    - precautions 36
    - product description 2
    - removal 46
    - spare part numbers 24, 27, 33, 34, 46
    - specifications 101
  - hard drive backup 133, 139
  - hard drive bay 16
  - hard drive bracket, removal 47
  - hard drive cover
    - illustrated 25
    - removal 46
  - hard drive recovery 135, 141
  - hard drive test 94
  - HDMI port
    - location 14
    - pin assignments 145
  - headphone jack
    - location 15
    - pin assignments 143
  - hinge
    - removal 78
    - spare part number 19, 33, 79
  - HP Extended Life Battery, spare part number 27, 29
  - HP Fingerprint Sensor 9
- I**
- I/O address specifications 107
  - info button 8
  - interrupt specifications 106
  - inverter
    - removal 43
    - spare part number 43
- J**
- jacks
    - audio-in 15
    - audio-out 15
    - headphone 15
    - microphone 15
    - modem 15
    - network 15

- RJ-11 15
- RJ-45 15
- K**
- keyboard
  - product description 4
  - removal 57
  - spare part numbers 19, 20, 31, 57
- keypad keys 9
- keys
  - esc 9
  - fn 9
  - function 9
  - keypad 9
  - Windows applications 9
  - Windows logo 9
- L**
- Label Kit, spare part number 28, 33
- LAN Power Save 95
- language, changing in Computer Setup 95
- left-side components 14
- legacy support, Universal Serial Bus (USB) 91, 95
- lights
  - battery 10, 13
  - caps lock 10
  - drive 10, 13
  - num lock 10
  - power 10, 13
  - volume down 11
  - volume mute 11
  - volume up 11
  - wireless 10, 13
- M**
- mass storage devices, spare part numbers 27
- Media Card Reader 13
- memory check 94
- memory map specifications 105
- memory module
  - product description 2
  - removal 49, 60
  - spare part numbers 22, 33, 49, 60
- memory module/WLAN module compartment 16
- memory module/WLAN module compartment cover
  - illustrated 25
  - removal 49
- microphone 7
- microphone extension cable
  - illustrated 26
  - removal 87
  - spare part number 33, 87
- microphone jack
  - location 15
  - pin assignments 144
- microphone, product description 3
- model name 1
- modem jack
  - location 15
  - pin assignments 146
- modem module
  - product description 3
  - removal 63
  - spare part number 22, 30, 63
- monitor port
  - location 14
  - pin assignments 144
- N**
- navigating in Computer Setup 92
- network jack
  - location 15
  - pin assignments 147
- num lock light 10
- O**
- operating system, product description 5
- optical drive
  - location 15
  - precautions 36
  - product description 2
  - removal 55
  - spare part numbers 24, 27, 33, 55
  - specifications 102, 103, 104
- optical drive button 15
- P**
- packing guidelines 38
- parallel port mode 95
- password and pointing stick clearing 40
- passwords 94
- PC Card assembly
  - removal 89
  - spare part number 21, 34, 89
- PC Card eject button 14
- PC Card slot 14
- PC Card slot bezel, illustrated 25
- pin assignments
  - 1394 port 143
  - audio-in jack 144
  - audio-out jack 143
  - external monitor port 144
  - HDMI port 145
  - headphone jack 143
  - microphone jack 144
  - modem jack 146
  - monitor port 144
  - network jack 147
  - RJ-11 146
  - RJ-45 jack 147
  - Universal Serial Bus (USB) port 148
- plastic parts 35
- Plastics Kit
  - contents 25
  - spare part number 21, 25, 34
- pointing device
  - components 12
  - product description 4
- pointing device components
  - pointing stick 12
  - pointing stick buttons 12
  - TouchPad 12
  - TouchPad buttons 12
  - TouchPad scroll zone 12
- pointing stick 12
- pointing stick buttons 12
- ports
  - 1394 14
  - external monitor port 14
  - HDMI 14
  - monitor port 14
  - product description 4
  - Universal Serial Bus (USB) 14, 15
- power button 8

- power button board
  - removal 66
  - spare part number 19, 33, 66
- power button board cable, illustrated 26
- power connector 14
- power cord
  - set requirements 149
  - spare part numbers 28, 29
- power light 10, 13
- power requirements, product description 4
- power-on password 94
- presentation button 8
- processor
  - product description 1
  - removal 72
  - spare part numbers 21, 34, 72
- processor heat sink
  - removal 71
  - spare part number 21, 34, 71
- product description
  - audio 3
  - chipset 1
  - diskette drive 3
  - display panel 1
  - docking support 4
  - Ethernet 3
  - external media cards 4
  - graphics 1
  - hard drives 2
  - keyboard 4
  - memory module 2
  - microphone 3
  - modem module 3
  - operating system 5
  - optical drives 2
  - pointing devices 4
  - ports 4
  - power requirements 4
  - processors 1
  - product name 1
  - security 4
  - serviceability 5
  - wireless 3
- product name 1

**R**

- rear component 15
- recovery discs
  - creating 131, 137
  - using 135, 141
- recovery partition 136, 142
- recovery points 134, 140
- removal/replacement preliminaries 35
- procedures 41
- restoring Computer Setup factory settings 92
- right-side components 15
- RJ-11 connector cable removal 87
- RJ-11 jack
  - location 15
  - pin assignments 146
- RJ-11 jack cable illustrated 26
- RJ-45 connector cable removal 87
- RJ-45 jack
  - location 15
  - pin assignments 147
- RJ-45 jack cable illustrated 26
- RTC battery
  - removal 54
  - spare part number 22, 32, 54
- Rubber Kit, spare part number 22, 34

**S**

- scheduling backups 134, 140
- Screw Kit
  - contents 109
  - spare part number 28, 34
- screw listing 109
- security cable slot 14
- Security menu 94
- security, product description 4
- selecting in Computer Setup 92
- serial number 17, 41
- service considerations 35
- serviceability, product description 5
- smart card reader 14
- smart card security 94

- speaker assembly
  - removal 82
  - spare part number 22, 34, 82
- speakers 13
- specifications
  - computer 97
  - display 98, 99, 100
  - DVD-ROM Drive 104
  - DVD-RW Drive 102
  - DVD/CD-RW Combo Drive 103
  - DVD±RW and CD-RW Combo Drive 102
  - hard drive 101
  - I/O addresses 107
  - interrupts 106
  - memory map 105
  - optical drive 102, 103, 104
  - system DMA 105
- startup check 94
- static-shielding materials 39
- stringent security 94
- switch cover
  - removal 64
  - spare part number 19, 32, 64
- system backup 133, 139
- system board
  - removal 84
  - spare part number 22, 33, 84
- System Configuration menu 95
- system DMA 105
- system fan 95
- system information 93
- system memory map 105
- system recovery points 134, 140

**T**

- thermal material, replacement 68, 70, 72
- tools required 35
- top components 8
- top cover
  - removal 80
  - spare part numbers 21, 34, 80



- TouchPad
  - removal 61
  - spare part numbers 21, 34, 61
- TouchPad buttons 12
- TouchPad cable, illustrated 26
- TouchPad scroll zone 12
- transporting guidelines 38

## U

- Universal Serial Bus (USB) legacy support 91, 95
- Universal Serial Bus (USB) port
  - location 14
  - pin assignments 148
- unknown password 40
- USB/audio board
  - removal 88
  - spare part number 22, 33, 88
- USB/audio board cable, illustrated 26

## V

- vents 14, 15, 16
- volume down light 11
- volume mute button 9
- volume mute light 11
- volume scroll zone 9
- volume up light 11

## W

- Windows applications key 9
- Windows logo key 9
- Wireless Antenna Kit, spare part number 19, 32
- wireless antennae
  - disconnecting 53
  - locations 7
- wireless button 8
- wireless light 10, 13
- wireless, product description 3
- WLAN antenna, spare part number 19, 32
- WLAN module
  - removal 51
  - spare part numbers 22, 29, 31, 51
- workstation guidelines 38

