

# SONY

4-480-528-11(1)

## FM/AM Clock Radio

Operating Instructions



©2014 Sony Corporation Printed in China

<http://www.sony.net/>

ICF-C1T

Before operating the unit, please read this guide thoroughly and retain it for future reference.

**For customers who purchased this product in the USA**  
Please register this product on line at <http://www.sony.com/productregistration>. Proper registration will enable us to send you periodic mailings about new products, services, and other important announcements. Registering your product will also allow us to contact you in the unlikely event that the product needs adjustment or modification. Thank you.

### WARNING

To reduce the risk of fire or electric shock, do not expose this apparatus to rain or moisture.

To reduce the risk of fire, do not cover the ventilation of the apparatus with newspapers, tablecloths, curtains, etc. And do not place lighted candles on the apparatus.

To reduce the risk of fire or electric shock, do not expose this apparatus to dripping or splashing, and do not place objects filled with liquids, such as vases, on the apparatus.

Do not install the appliance in a confined space, such as a bookcase or built-in cabinet.

Do not expose batteries or apparatus with battery-installed to excessive heat such as sunshine, fire or the like.

As the main plug is used to disconnect the unit from the mains, connect the unit to an easily accessible AC outlet. Should you notice an abnormality in the unit, disconnect the main plug from the AC outlet immediately.

The unit is not disconnected from the AC power source (mains) as long as it is connected to the wall outlet, even if the unit itself has been turned off.

The nameplate and important information concerning safety are located on the bottom exterior.

You are cautioned that any changes or modifications not expressly approved in this manual could void your authority to operate this equipment.

### CAUTION

Danger of explosion if battery is incorrectly replaced. Replace only with the same type.



This symbol is intended to alert the user to the presence of uninsulated "dangerous voltage" within the product's enclosure that may be of sufficient magnitude to constitute a risk of electric shock to persons.



This symbol is intended to alert the user to the presence of important operating and maintenance (servicing) instructions in the literature accompanying the appliance.

### NOTE

This equipment has been tested and found to comply with the limits for a Class B digital device, pursuant to Part 15 of the FCC Rules. These limits are designed to provide reasonable protection against harmful interference in a residential installation. This equipment generates, uses and can radiate radio frequency energy and, if not installed and used in accordance with the instructions, may cause harmful interference to radio communications. However, there is no guarantee that interference will not occur in a particular installation. If this equipment does cause harmful interference to radio or television reception, which can be determined by turning the equipment off and on, the user is encouraged to try to correct the interference by one or more of the following measures:

- Reorient or relocate the receiving antenna.
- Increase the separation between the equipment and receiver.
- Connect the equipment into an outlet on a circuit different from that to which the receiver is connected.
- Consult the dealer or an experienced radio/TV technician for help.

### WARNING

**Do not ingest battery, chemical burn hazard.**

This product contains a coin/button cell battery. If the coin/button cell battery is swallowed, it can cause severe internal burns in just 2 hours and can lead to death.

Keep new and used batteries away from children. If the battery compartment does not close securely, stop using the product and keep it away from children.

If you think batteries might have been swallowed or placed inside any part of the body, seek immediate medical attention.

### Important Safety Instructions

- 1) Read these instructions.
- 2) Keep these instructions.
- 3) Heed all warnings.
- 4) Follow all instructions.
- 5) Do not use this apparatus near water.
- 6) Clean only with dry cloth.
- 7) Do not block any ventilation openings. Install in accordance with the manufacturer's instructions.
- 8) Do not install near any heat sources such as radiators, heat registers, stoves, or other apparatus (including amplifiers) that produce heat.

- 9) Do not defeat the safety purpose of the polarized or grounding-type plug. A polarized plug has two blades with one wider than the other. A grounding type plug has two blades and a third grounding prong. The wide blade or the third prong are provided for your safety. If the provided plug does not fit into your outlet, consult an electrician for replacement of the obsolete outlet.
- 10) Protect the power cord from being walked on or pinched particularly at plugs, convenience receptacles, and the point where they exit from the apparatus.
- 11) Only use attachments/accessories specified by the manufacturer.
- 12) Use only with the cart, stand, tripod, bracket, or table specified by the manufacturer, or sold with the apparatus. When a cart is used, use caution when moving the cart/apparatus combination to avoid injury from tip-over.



13) Unplug this apparatus during lightning storms or when unused for long periods of time.

14) Refer all servicing to qualified service personnel. Servicing is required when the apparatus has been damaged in any way, such as power-supply cord or plug is damaged, liquid has been spilled or objects have fallen into the apparatus, the apparatus has been exposed to rain or moisture, does not operate normally, or has been dropped.

### For the state of California, USA only

Perchlorate Material –special handling may apply, See [www.dtsc.ca.gov/hazardouswaste/perchlorate](http://www.dtsc.ca.gov/hazardouswaste/perchlorate)  
Perchlorate Material: Lithium battery contains perchlorate

### License and Trademark Notice

No Power No Problem™ is a trademark of Sony Corporation.

### Precautions

- Operate the unit on the power sources specified in "Specifications."
- To disconnect the power cord (mains lead), pull it out by the plug, not the cord.
- Do not leave the unit in a location near a heat source, such as a radiator or air duct, or in a place subject to direct sunlight, excessive dust, mechanical vibration, or shock.
- Allow adequate air circulation to prevent internal heat build-up. Do not place the unit on a surface (a rug, blanket, etc.) or near materials (a curtain) that might block the ventilation holes.

### NOTES ON LITHIUM BATTERY

- Wipe the battery with a dry cloth to assure a good contact.
- Be sure to observe the correct polarity when installing the battery.
- Do not hold the battery with metallic tweezers, otherwise a short-circuit may occur.
- Do not expose the battery to excessive heat such as direct sunlight, fire or the like.

**If you have any questions or problems concerning your unit, please consult your nearest Sony dealer.**

## General information

### Troubleshooting

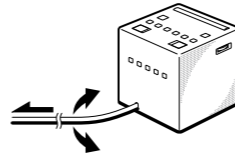
Should any problems persist after you have made the following checks, consult your nearest Sony dealer.

**The clock flashes "AM 12:00" after a power interruption.**

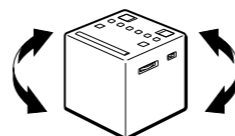
- The battery is discharged. Remove the old battery and insert a new one.

**Unsatisfactory reception**

- The AC power cord functions as an FM antenna. Extend the AC power cord fully to increase reception sensitivity.



- Rotate the unit horizontally for optimum reception. A ferrite bar AM antenna is built into the unit.



- Do not operate the unit over a steel desk or metal surface, as this may lead to interference.

**The radio or buzzer alarm does not sound at the preset alarm time.**

- Check that "A" or "B" appears on the display.

**The radio alarm is activated but no sound is emitted at the preset alarm time.**

- Adjust the volume using **VOLUME +/-**.

**When daylight saving time (summer time) begins, the clock does not switch to daylight saving time (summer time) automatically.**

- Make sure the clock is set correctly.
- When "Aut → On" appears on the display after pressing and holding **DST** for more than 3 seconds, the Automatic DST/summer time function becomes active.

## Specifications

### Time display

12-hour system

### Frequency range

Band	Frequency
FM	87.5 MHz – 108 MHz
AM	530 kHz – 1,710 kHz

### Speaker

Approx. 6.6 cm (2 5/8 inches) dia., 8 Ω

### Power output

115 mW (at 10% harmonic distortion)

### Power requirements

120 V AC, 60 Hz  
For power backup: 3 V DC, one CR2032 battery

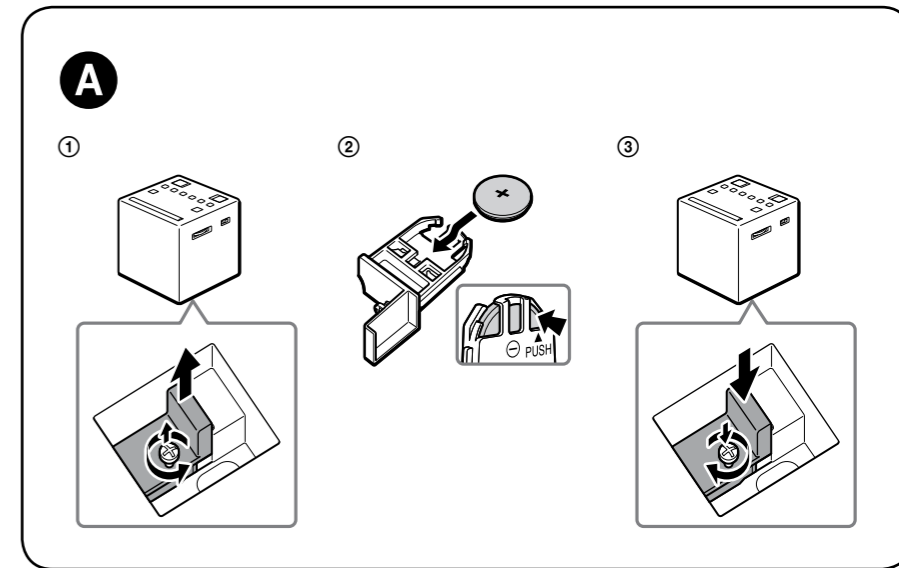
### Dimensions

Approx. 101 mm × 102 mm × 101 mm (w/h/d)  
(4 inches × 4 inches × 4 inches) including projecting parts and controls

### Mass

Approx. 490 g (1 lb 1.3 oz) including CR2032 battery

Design and specifications are subject to change without notice.



## About the battery as a backup power source

This unit contains a CR2032 battery as a backup power source to keep the clock and the alarm operating during a power interruption. (No Power No Problem system)



### When to replace the battery

When the battery is discharged, "⏻" appears on the display.

If a power interruption occurs while the battery is discharged, the current time and alarm will be erased.

#### Note

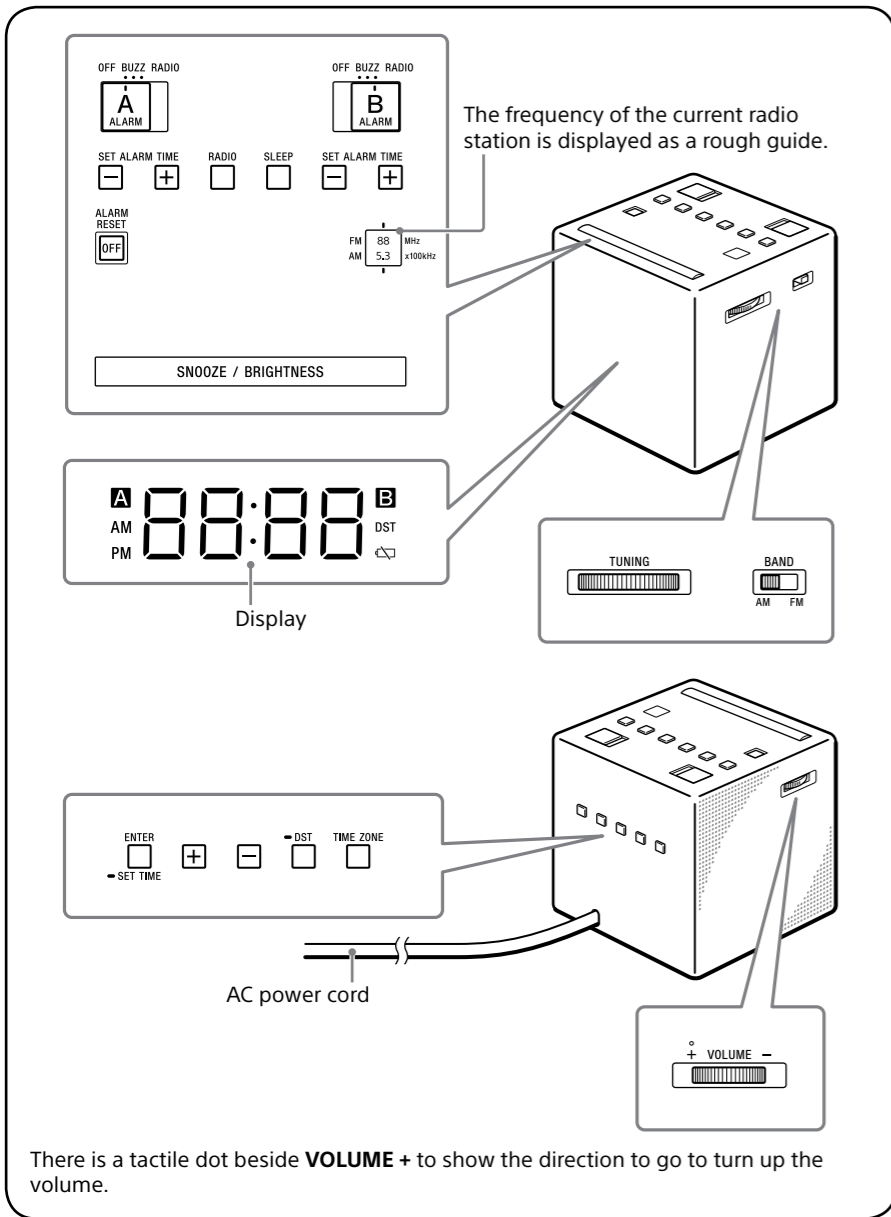
- If "AM 12:00" flashes on the display when the unit is connected to an AC outlet for the first time, the battery may be discharged. In this case, consult your nearest Sony dealer.

## Replacing the backup battery

- 1 Keep the AC plug connected to the wall outlet, loosen the screw that secures the battery compartment on the bottom of the unit, and remove the battery compartment. (See Fig. A-①.)
- 2 Insert a new battery into the battery compartment with the + side facing up. To remove the battery from the battery compartment, push it out from the side marked **PUSH**. (See Fig. A-②.)
- 3 Insert the battery compartment back into the unit and secure it with the screw. (See Fig. A-③.)
- 4 Press **RADIO** to remove "⏻" from the display.

#### Notes

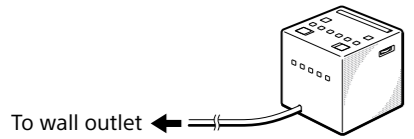
- When you replace the battery, do not disconnect the AC plug from the wall outlet. Otherwise, the current date, current time and alarm will be erased.
- If the unit will be left unplugged for a long time, remove the battery to avoid any damage that may be caused by leakage or corrosion.



## Getting Started

### Connecting to an AC power source

Connect the AC power cord to a wall outlet.



The current EST (Eastern Standard Time) appears on the display. (This unit is preset to the current date and time at the factory, and is powered by the back-up battery.)

### Setting the clock for the first time

All you need to do to set the clock for the first time is select your time zone. If you live in the Eastern Standard Time zone, you do not need to adjust the area setting.

- Press **TIME ZONE**. Area number "2" appears on the display.
- Press **TIME ZONE** repeatedly to select a number as follows:

Area number	Time zone
0	Newfoundland Standard Time
1	Atlantic Standard Time
2	Eastern Standard Time (default)
3	Central Standard Time
4	Mountain Standard Time
5	Pacific Standard Time
6	Alaska Standard Time
7	Hawaii Standard Time

The clock display switches to the current time of selected time zone in about 4 seconds.

#### Note

- During shipment and your first use, a clock error may occur. In this case, refer to "Setting the clock manually" to set the correct time.

### About Automatic DST/summer time adjustment

This unit automatically adjusts for daylight saving time (summer time). "DST" automatically appears on the display at the beginning of daylight saving time (summer time), and disappears at the end of daylight saving time (summer time).

- Daylight saving time (summer time) begins at 2:00 AM on the second Sunday of March.
- Standard time begins at 2:00 AM on the first Sunday of November.

#### Notes

- The implementation of DST/summer time and its beginning/ending date and time are subject to circumstances and laws in each country/region. Should this interfere with the desired adjustment, cancel the Automatic DST/summer time adjustment and set the clock manually as necessary. Customers living in a country/region that does not use daylight saving time (summer time) should cancel the Automatic DST/summer time adjustment before using the unit.
- When Hawaii Standard Time is set, the default Automatic DST/summer time adjustment setting is off.

### To cancel Automatic DST/summer time adjustment

The Automatic DST/summer time adjustment can be canceled.

Press and hold **DST** for more than 3 seconds while the clock is displayed.

A beep sounds, and "Aut → OFF" appears on the display to show that the Automatic DST/summer time adjustment has been canceled. The clock display returns.

### To reactivate Automatic DST/summer time adjustment

Press and hold **DST** for more than 3 seconds. A beep sounds, and "Aut → On" appears on the display to show that Automatic DST/summer time adjustment has been activated. The clock display returns.

## Operations

### Setting the clock manually

To change the clock setting manually, operate the unit as follows.

- Press and hold **ENTER/SET TIME** for more than 2 seconds. You will hear a beep and the last two digits of the year will start to flash on the display.
- Press **+** or **-** repeatedly to select the year, and then press **ENTER/SET TIME**.



- Repeat step 2 to set the month, day and time. After setting the time, two short beeps will sound and the seconds will start incrementing from zero.

#### Note

- If you do not press any button for about 1 minute while setting the clock, clock setting mode will be canceled.

### When daylight saving time (summer time) begins/ends while Automatic DST/summer time adjustment is set to off

Change the clock setting manually if you have canceled the Automatic DST/summer time adjustment.

## Playing the radio

- Press **RADIO** to turn on the radio.
- Set **BAND** to the desired band (**AM** or **FM**).



- Tune to the desired station using **TUNING**.
- Adjust the volume using **VOLUME +/-**. To turn off the radio, press **ALARM RESET/OFF**.

## Setting the alarm

The dual alarm function allows you to set two alarm programs (**ALARM A** and **ALARM B**). An alarm time can be set for each program and the alarm sound can be selected from **RADIO** (radio) or **BUZZ** (buzzer).

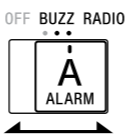
#### Before setting the alarm

- Make sure to set the clock. (See "Setting the clock manually.")
- To set the radio alarm, first tune to a station and adjust the volume. (See "Playing the radio.")

#### To set the alarm

- Set **ALARM A** (or **B**) to the desired alarm sound (**RADIO** or **BUZZ**).

When setting **ALARM A**



The alarm time appears for a few seconds, and then "A" (or "B") appears on the display. (It does not appear when the switch is set to **OFF**.)



- Press **SET ALARM TIME +** or **-** repeatedly to set the desired time while the alarm time appears on the display.



While setting the alarm time, "A" (or "B") flashes on the display.



When the alarm time setting operation is complete, the clock display returns after a few seconds and "A" (or "B") changes from flashing to fully lit. At the set time, the radio will turn on, or the buzzer will sound gradually increasing in volume. ("A" (or "B") flashes on the display.)

#### To stop the alarm

Press **ALARM RESET/OFF** to turn off the alarm.

The alarm will sound again at the same time the next day.

#### To doze for a few more minutes

Press **SNOOZE/BRIGHTNESS**. The sound turns off, but will automatically come on again after about 10 minutes. Each time you press **SNOOZE/BRIGHTNESS**, the snooze time changes as follows:

10 → 20 → 30 → 40 → 50 → 60

The display shows the snooze time for about 4 seconds and returns to show the current time. ("A" (or "B") flashes on the display.)

#### To deactivate the alarm

Set **ALARM A** (or **B**) to **OFF**. "A" (or "B") disappears from the display.

#### Notes

- The alarm time setting cannot be changed if **ALARM A** (or **B**) is set to **OFF**. If **SET ALARM TIME +** or **-** is pressed, "OFF" appears on the display for about 0.5 seconds.
- If a second alarm sounds during a first (or the snooze function is active), the second alarm takes priority.
- ENTER/SET TIME**, **DST**, and **TIME ZONE** are unavailable while the alarm is sounding or the snooze function is turned on.
- If the same alarm time is set for both **ALARM A** and **ALARM B**, **ALARM A** takes priority.
- If no operation is performed while the alarm is sounding, the alarm will stop after about 60 minutes.
- The alarm function works as usual on the first and last day of daylight saving time (summer time). When Automatic DST/summer time adjustment is set, if the alarm is set for a time that is skipped when daylight saving time (summer time) begins, the alarm is skipped, or if the alarm is set for a time that overlaps the end of daylight saving time (summer time), the alarm sounds twice.

#### Notes on the alarm in the event of a power interruption

In the event of a power interruption, the alarm functions work until the battery is fully discharged. But certain functions will be affected as follows:

- The display will disappear.
- If the alarm sound is set to **RADIO**, it will be changed to **BUZZ** automatically.
- If the power returns while the alarm is sounding, the alarm sounds continuously for about 60 minutes when the power returns.
- The alarm buzzes for about one minute, stops temporarily, and buzzes again after about five minutes if neither **SNOOZE/BRIGHTNESS** nor **ALARM RESET/OFF** is pressed while the alarm is buzzing. If the alarm buzzes and stops (either automatically after 1 minute or by pressing **SNOOZE/BRIGHTNESS**) five times, the alarm is automatically reset in the case of a power interruption. The alarm will buzz for 30 minutes after power is restored if it is restored within 60 minutes of the alarm time.
- If you press **SNOOZE/BRIGHTNESS** while the alarm is sounding, the snooze time is set to 10 minutes. During a power failure, the snooze time cannot be set to more than 10 minutes.
- If "⏏" appears on the display, the alarm will not sound in the event of a power interruption. Replace the battery if "⏏" appears.

## Setting the sleep timer

You can fall asleep to the radio using the sleep timer, which turns off the radio automatically after a preset duration.

Press **SLEEP**.

The radio turns on. Each time you press **SLEEP**, the duration (in minutes) changes as follows:

90 → 60 → 30 → 15  
OFF

The radio will play for the duration you set, then shut off. To deactivate the sleep timer, press **SLEEP** repeatedly to set the sleep timer to "OFF."

#### To turn off the radio before the preset time

Press **ALARM RESET/OFF**.

#### To use both the sleep timer and alarm

You can fall asleep to the radio and also be awakened by the radio or buzzer alarm at the preset time.

Set the alarm, then set the sleep timer.

#### Note

- When the alarm is set to sound during the sleep timer duration, the sleep timer will be deactivated automatically when the alarm sounds.

## Setting the brightness of the display

Three levels of brightness are available. Press **SNOOZE/BRIGHTNESS**.

Each time you press **SNOOZE/BRIGHTNESS**, the brightness of the display changes as follows:

High (default) → Middle → Low

#### Note

- When the alarm is sounding or the snooze function is active, the brightness of the display cannot be changed.

This warranty is valid only in the United States.

**SONY**
Portable Audio

## LIMITED WARRANTY

(U.S. Only)

Sony Electronics Inc. ("Sony") warrants this product against defects in material or workmanship for the time periods and as set forth below when purchased directly from Sony or a Sony Retailer. Pursuant to this Limited Warranty, Sony will, at its option, (i) repair the product using new or refurbished parts or (ii) replace the product with a new or refurbished product. For purposes of this Limited Warranty, "refurbished" means a product or part that has been returned to its original specifications. **In the event of a defect, these are your exclusive remedies.**

**Term:** For a period of one (1) year from the original date of purchase of the product, Sony will, at its option, repair or replace with new or refurbished product or parts, any product or parts determined to be defective.

This Limited Warranty covers only the hardware components packaged with the Product. It does not cover technical assistance for hardware or software usage and it does not cover any software products whether or not contained in the Product; any such software is provided "AS IS" unless expressly provided for in any enclosed software Limited Warranty. Please refer to the End User License Agreements included with the Product for your rights and obligations with respect to the software.

**Instructions:** To obtain warranty service, you must deliver the product, freight prepaid, in either its original packaging or packaging affording an equal degree of protection to the Sony authorized service facility specified. **It is your responsibility to backup any data, software or other materials you may have stored or preserved on your unit. It is likely that such data, software, or other materials will be lost or reformatted during service and Sony will not be responsible for any such damage or loss.** A dated purchase receipt from Sony or a Sony Retailer is required. For specific instructions on how to obtain warranty service for your product,

The Address of the Laredo Fulfillment Center is:

**Laredo Fulfillment Center**  
10227 Crossroads Loop Suite B  
Laredo, TX 78045

Visit Sony's Web Site:  
[www.sony.com/support](http://www.sony.com/support)

Or call the **Sony Customer Information Service Center**  
**1-800-222-SONY (7669)**

For an accessory or part not available from your authorized dealer, call:  
1-800-488-SONY (7669)

**Repair / Replacement Warranty:** This Limited Warranty shall apply to any repair, replacement part or replacement product for the remainder of the original Limited Warranty period or for ninety (90) days, whichever is longer. Any parts or product replaced under this Limited Warranty will become the property of Sony.

This Limited Warranty only covers product issues caused by defects in material or workmanship during ordinary consumer use; it does not cover product issues caused by any other reason, including but not limited to product issues due to commercial use, acts of God, misuse, limitations of technology, or modification of or to any part of the Sony product or product purchased from other than Sony or a Sony Retailer. To determine if a retailer is part of the Sony Retailer Network, please contact Sony's Customer Service Call Center or go to [www.sony.com/support](http://www.sony.com/support). This Limited Warranty does not cover Sony products sold AS IS or WITH ALL FAULTS or consumables (such as fuses or batteries). This Limited Warranty is invalid if the factory-applied serial number has been altered or removed from the product. This Limited Warranty is valid only in the United States.

**LIMITATION ON DAMAGES:** SONY SHALL NOT BE LIABLE FOR ANY INCIDENTAL OR CONSEQUENTIAL DAMAGES FOR BREACH OF ANY EXPRESS OR IMPLIED WARRANTY ON THIS PRODUCT.

**DURATION OF IMPLIED WARRANTIES:** EXCEPT TO THE EXTENT PROHIBITED BY APPLICABLE LAW, ANY IMPLIED WARRANTY OF MERCHANTABILITY OR FITNESS FOR A PARTICULAR PURPOSE ON THIS PRODUCT IS LIMITED IN DURATION TO THE DURATION OF THIS WARRANTY.

Some states do not allow the exclusion or limitation of incidental or consequential damages, or allow limitations on how long an implied warranty lasts, so the above limitations or exclusions may not apply to you. This Limited Warranty gives you specific legal rights and you may have other rights which vary from state to state.

This unit includes a preinstalled Sony Lithium battery (CR2032) as a back-up power source for the clock, which is preset to EST (Eastern Standard Time) at the factory. This battery is considered part of the product.