

THERMAL PRINTER

TSP700 SERIES

USER'S MANUAL



**Federal Communications Commission
Radio Frequency Interference
Statement**

This equipment has been tested and found to comply with the limits for a Class A digital device, pursuant to Part 15 of the FCC Rules. These limits are designed to provide reasonable protection against harmful interference when the equipment is operated in a commercial environment. This equipment generates, uses and can radiate radio frequency energy and, if not installed and used in accordance with the instruction manual, may cause harmful interference to radio communications. Operation of this equipment in a residential area is likely to cause harmful interference in which case the user will be required to correct the interference at his own expense.

For compliance with the Federal Noise Interference Standard, this equipment requires a shielded cable.

This statement will be applied only for the printers marketed in U.S.A.

**Statement of
The Canadian Department of Communications
Radio Interference Regulations**

This digital apparatus does not exceed the Class A limits for radio noise emissions from digital apparatus set out in the Radio Interference Regulations of the Canadian Department of Communications.

Le présent appareil numérique n'émet pas de bruits radioélectriques dépassant les limites applicables aux appareils numériques de la classe A prescrites dans le Règlement sur le brouillage radioélectrique édicté par le ministère des Communications du Canada.

The above statement applies only to printers marketed in Canada.

**CE
Manufacturer's Declaration of Conformity**

EC Council Directive 89/336/EEC of 3 May 1989

This product has been designed and manufactured in accordance with the International Standards EN 61000-6-3/10.2001 and EN 55024/09.98 following the provisions of the Electro Magnetic Compatibility Directive of the European Communities as of May 1989.

EC Council Directive 73/23/EEC and 93/68/EEC of 22 July 1993

This product, has been designed and manufactured in accordance with the International Standards EN 60950 following the provisions of the Low Voltage Directive of the European Communities as of July 1993.

The above statement applies only to printers marketed in EU.

Trademark acknowledgments

TSP700: Star Micronics Co., Ltd.

ESC/POS: Seiko Epson Corporation

Notice

- All rights reserved. Reproduction of any part of this manual in any form whatsoever, without STAR's express permission is forbidden.
- The contents of this manual are subject to change without notice.
- All efforts have been made to ensure the accuracy of the contents of this manual at the time of going to press. However, should any errors be detected, STAR would greatly appreciate being informed of them.
- The above notwithstanding, STAR can assume no responsibility for any errors in this manual.

© Copyright 2001 Star Micronics Co., LTD.

Safety Information

Important!

Make sure that the printer is turned off and unplugged from the AC outlet and that the computer is turned off before making connections.

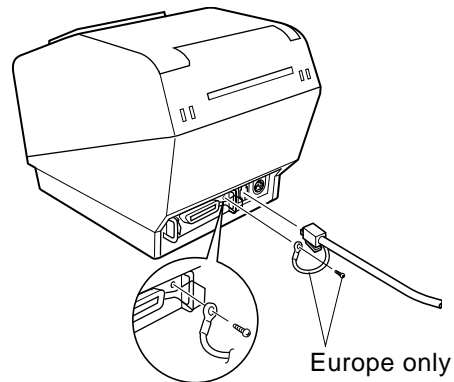
Important!

Do not connect a telephone line into the peripheral drive connector. Failure to observe this may result in damage to the printer.

Also, for safety purposes, do not connect wiring to the external drive connector if there is a chance it may carry peripheral voltage.

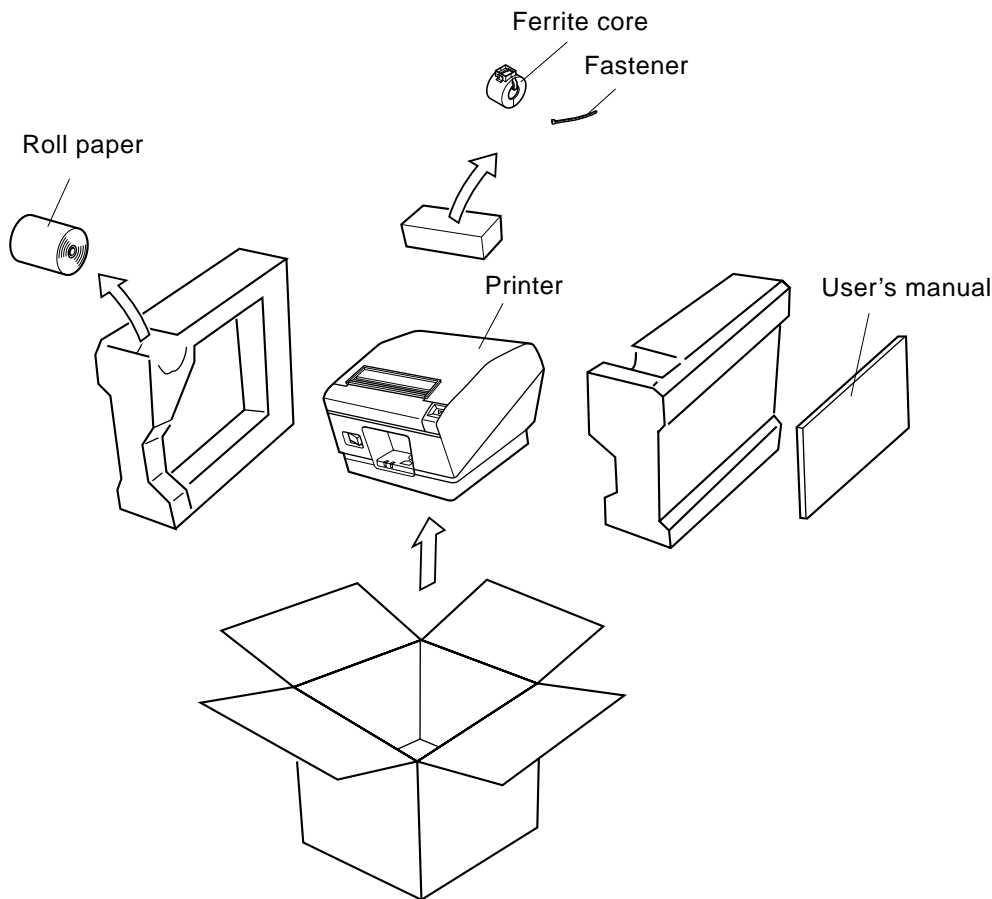
Connect the ground wire. (Europe only)

Take out the screw shown in the figure below, then fasten the ground wire terminal to the place where the screw was removed and tighten the screw.



Unpacking

- ✓ Printer
- ✓ User's manual
- ✓ Roll paper
- ✓ Ferrite core(Parallel interface model only)
- ✓ Fastener(Parallel interface model only)



Choosing a place for the printer

Before actually unpacking the printer, you should take a few minutes to think about where you plan to use it. Remember the following points when doing this.

- ✓ Choose a firm, level surface where the printer will not be exposed to vibration.
- ✓ The power outlet you plan to connect to for power should be nearby and unobstructed.
- ✓ Make sure that the printer is close enough to your host computer for you to connect the two.
- ✓ Make sure that the printer is not exposed to direct sunlight.
- ✓ Make sure that the printer is well away from heaters and other sources of extreme heat.
- ✓ Make sure that the surrounding area is clean, dry, and free of dust.
- ✓ Make sure that the printer is connected to a reliable power outlet. It should not be on the same electric circuit as copiers, refrigerators, or other appliances that cause power spikes.
- ✓ Make sure that the room where you are using the printer is not too humid.

Consumable Parts

When consumable parts have run out, use those specified in the table below. Make sure that the AC adapter specified in the table is used.

Use of consumable parts or AC adapter which are not specified in the table may result in damage to the printer, fire or electric shock.

(1) Roll paper specification

Thermal paper

Thickness: 65~150 μm

Width: 79.5 \pm 0.5 mm or 82.5 \pm 0.5 mm or 57.5 \pm 0.5 mm

Outer roll diameter: ϕ 100 mm or less

Core outer/inner diameter

Paper thickness	Core outer	Core inner
65~75 μm	ϕ 18 \pm 1 mm	ϕ 12 \pm 1 mm
65~75 μm	ϕ 32 \pm 1 mm	ϕ 25.4 mm
75~150 μm	ϕ 32 \pm 1 mm	ϕ 25.4 mm

Printed surface: Outer edge of roll

Tail end handling: Do not use paste or glue to secure the roll paper or its core.
Do not fold the tail end of the paper.

(2) Recommended paper

Mitsubishi Paper Mills Limited

P220AG (normal type paper), 65 μm (thickness)

HP220A (high image stability paper), 65 μm (thickness)

HP220AB-1 (high image stability paper), 75 μm (thickness)

P220AB (normal type paper, card ticket), 85 μm (thickness)

P220AC-1 (normal type paper, card ticket), 95 μm (thickness)

P220AC (normal type paper, card ticket), 105 μm (thickness)

P220AD (normal type paper, card ticket), 130 μm (thickness)

P220AE-1 (normal type paper, card ticket), 150 μm (thickness)

PB670 (2 color paper: Red & Black), 75 μm (thickness)

PB770 (2 color paper: Blue & Black), 75 μm (thickness)

Oji Paper Co., Ltd.

PD150R (normal type paper), 75 μm (thickness)

PD160R (high image stability paper), 65/75 μm (thickness)

PD750R (2 color paper: Red & Black), 75 μm (thickness)

PD700R (2 color paper: Blue & Black), 75 μm (thickness)

Nippon Paper Industries

TF50KS-E2C (normal type paper), 65 μm (thickness)

Kanzaki Specialty Papers Inc. (KSP)

P320RB (2 color paper: Red & Black), 65 μm (thickness)

P320BB (2 color paper: Blue & Black), 65 μm (thickness)

Depending on the type and thickness of the paper, it may be necessary to change the settings for printing darkness. To change the darkness settings, use the printing darkness settings command <ESC><RS> 'd' n. Refer to the separate programmer's manual for details.

Connecting the Optional AC Adapter

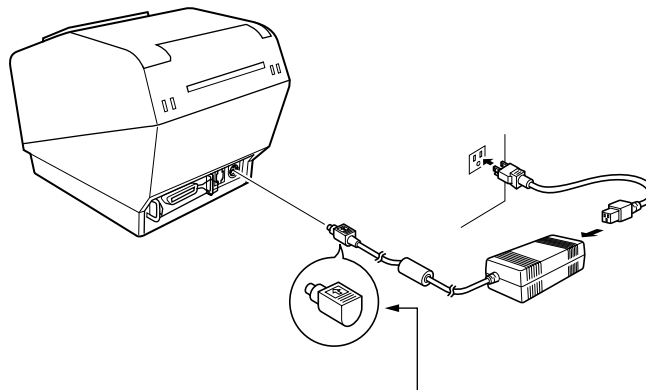
Note: Before connecting/disconnecting the AC adapter, make sure that power to the printer and all the devices connected to the printer is turned off. Also make sure the power cable plug is disconnected from the AC outlet.

(1) Connect the AC adapter to the power cable.

Note: Use only the standard AC adapter and power cable.

(2) Connect AC adapter to the connector on the printer.

(3) Insert the power cable plug into an AC outlet.

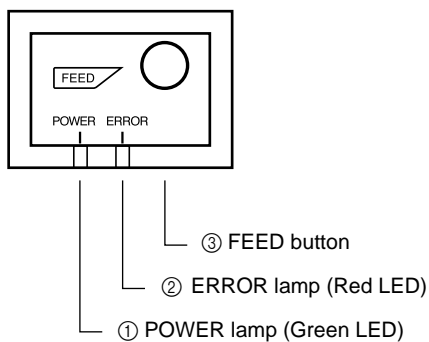


Important!

When disconnecting the cable, take hold of the cable connector to pull it out. Releasing the lock makes it easy to disconnect the connector.

Pulling the cable excessively could cause damage to the connector.

Control Panel



① POWER lamp (Green LED)

Lights when the power is ON

② ERROR lamp (Red LED)

Indicates various errors in combination with POWER lamp

③ FEED button

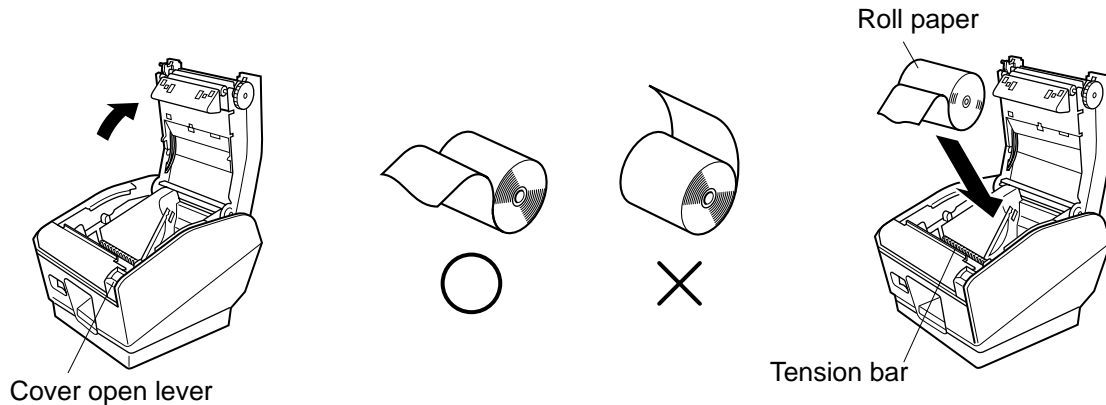
Press the FEED button to feed roll paper.

Loading the Roll Paper

Be sure to use roll paper that matches the printer's specification.

When using a paper roll with an 82.5 mm width, remove the paper roll holder.

Push the Cover open lever, and open the printer cover.



While observing the direction of the roll, set the paper roll into the hollow, and pull on the leading edge of the paper toward you.

Note 1: When using paper with a thickness which requires the use of the tension bar ($65 \mu\text{m} \leq \text{paper thickness} < 100 \mu\text{m}$), be sure not to pass the paper under the tension bar.

Removing Paper Jam

If a paper jam occurs, clear it as described below.

(1) Set the power switch to off to turn off power to the printer.

(2) Pull the lever toward you to open the printer cover.

(3) Remove the jammed paper.

Note: Take care not to damage the printer when removing the jammed paper.

Since it is easy to damage the thermal head in particular, take care not to touch it.

(4) Position the roll paper straight and close the printer cover gently.

Note 1: Make sure that the paper is positioned straight. If the printer cover is closed with the paper skewed, a paper jam may result.

Note 2: Lock the printer cover by pressing down on the sides. Do not try to close it by pressing down on the center. The cover may not lock properly.

(5) Set the power switch to on to turn on power to the printer. Make sure that the ERROR LED is not lit.

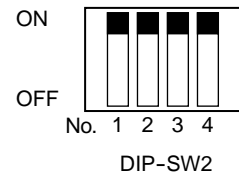
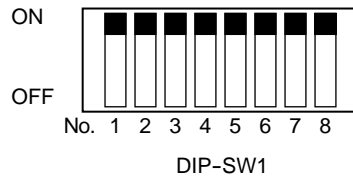
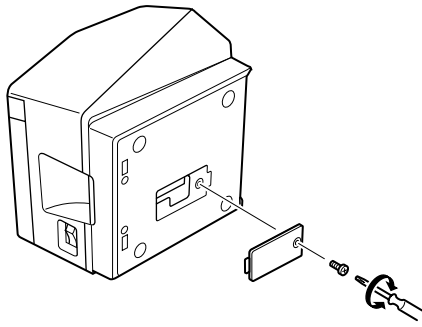
Note: While the ERROR LED is lit, the printer will not accept any commands such as the print command, so make sure that the printer cover is locked properly.

Cleaning the Thermal Head

To remove blackish dust collected on the surface of the thermal head, wipe it with Isopropyl alcohol (IPA).

Note: The thermal head is easy to damage, so clean it gently with a soft cloth. Take sufficient care not to scratch it when cleaning it.

Dip Switch Settings - Parallel Interface Type



DIP-Switch Bank 1

Switch 1-1	Command emulation
ON	Star Mode
OFF	ESC/POS Mode

(1) Star mode

Switch	Function	ON	OFF
1-1	Command emulation	Always ON	
1-2	Should not be changed (Should be set to on)		
1-3	Should not be changed (Should be set to on)		
1-4	Sensor adjustment	Invalid	Valid
1-5	Pin #31 (INIT) reset signal	Valid	Invalid
1-6	Handshaking conditions (conditions for BUSY)	Offline or receive buffer full	Receive buffer full
1-7	Automatic status back function	Invalid	Valid
1-8	Should not be changed (Should be set to on)		

(2) ESC/POS mode

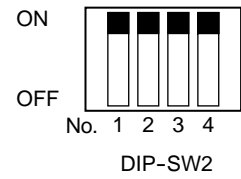
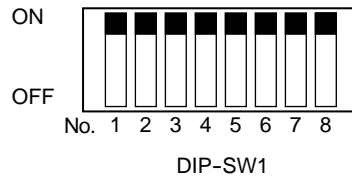
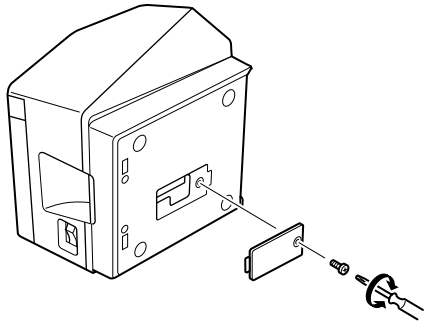
Switch	Function	ON	OFF
1-1	Command emulation	Always OFF	
1-2	Graphic adjustment	203 DPI	180 DPI
1-3	Should not be changed (Should be set to on)		
1-4	Sensor adjustment	Invalid	Valid
1-5	Pin #31 (INIT) reset signal	Valid	Invalid
1-6	Handshaking conditions (conditions for BUSY)	Offline or receive buffer full	Receive buffer full
1-7	Automatic status back function	Invalid	Valid
1-8	Should not be changed (Should be set to on)		

DIP-SW 2

Switch	Function	ON	OFF
2-1	Always ON	Should be set to on	
2-2			
2-3			
2-4			

The factory settings of DIP switch are all on.

Dip Switch Settings - Serial Interface Type



DIP-SW 1

Switch 1-1	Command emulation
ON	Star Mode
OFF	ESC/POS Mode

(1) Star mode

Switch	Function	ON	OFF
1-1	Command emulation	Always ON	
1-2	Should not be changed (Should be set to on)		
1-3	Should not be changed (Should be set to on)		
1-4	Sensor adjustment	Invalid	Valid
1-5	Should not be changed (Should be set to on)		
1-6	Handshaking conditions (conditions for BUSY)	Offline or receive buffer full	Receive buffer full
1-7	Automatic status back function	Invalid	Valid
1-8	Should not be changed (Should be set to on)		

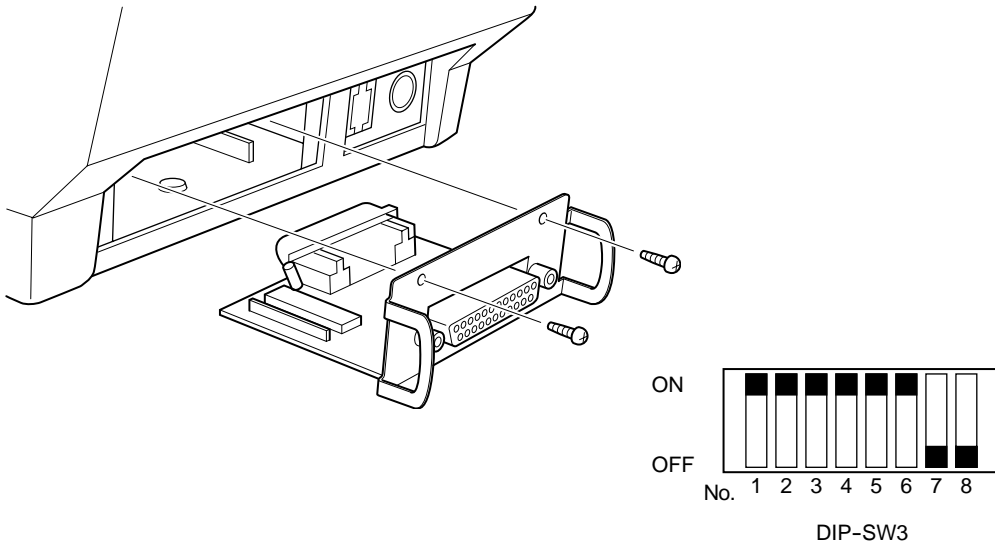
(2) ESC/POS mode

Switch	Function	ON	OFF
1-1	Command emulation	Always OFF	
1-2	Graphic Adjustment	203 DPI	180 DPI
1-3	Should not be changed (Should be set to on)		
1-4	Sensor adjustment	Invalid	Valid
1-5	Should not be changed (Should be set to on)		
1-6	Handshaking conditions (conditions for BUSY)	Offline or receive buffer full	Receive buffer full
1-7	Automatic status back function	Invalid	Valid
1-8	Should not be changed (Should be set to on)		

DIP-SW 2

Switch	Function	ON	OFF
2-1	Always ON	Should be set to on	
2-2			
2-3			
2-4			

The factory settings of DIP switch are all on.



DIP-SW 3

Switch	Function	ON	OFF
3-1	Baud Rate	See table below	
3-2			
3-3	Data Length	8 bits	7 bits
3-4	Parity Check	Disabled	Enabled
3-5	Parity	Odd	Even
3-6	Handshake	DTR/DSR	XON/XOFF
3-7	Should not be changed (Should be set to off)		
3-8			

Baud Rate	Switch 3-1	Switch 3-2
4800BPS	OFF	ON
9600BPS	ON	ON
19200BPS	ON	OFF

The factory settings of DIP switch are all on, except for switches 7 and 8.

Specifications

Printing method	Thermal line printing
Dot density	203dpi x 203 dpi (8 dot/mm)
Printing direction	Unidirectional with friction feed
Printing width	Max. 80mm (640 dots)
Character per line (default)	Font A: 42, Font B: 56
Character spacing (default)	0 dot
Character size	Font A: 1.5 x 3.0 mm Font B: 1.125 x 3.0 mm
Character set	Alphanumeric characters: 95 International characters: 32 External graphics: 128 x 40 pages
Print speed	Max. 180 mm/sec
Line spacing	3mm / 4mm
Character structure	Font A: 12 x 24 Font B: 9 x 24
Interface	RS232C / IEEE1284 / USB / Ethernet
Received buffer size	8K / 64 bytes
MCBF	60 million lines (based on an average printing rate of 12.5% with paper thickness in the range 65 μ m to 75 μ m)
Cutter life	1 million (65-100 μ m thick paper) 0.3 million cutting (100 to 150 μ m thick paper)
Temperature	Operating: 5 to 45 °C Storage: -20 to 60 °C
Humidity	Operating: 10 to 90% RH (without condensation) Storage: 10 to 90% RH (without condensation)
Dimension	147 x 213 x 148 (W x D x H mm)
Weight	Approx. 1.7 Kg

Options

- (1) Wall Mount Set (WB-T700)
- (2) Vertical Stand Set (VS-T700)
- (3) USB Interface Board Unit (IFBD-HU03)
- (4) Parallel Interface Board Unit (IFBD-HC03)
- (5) 25 Pin RS-232C Interface Board Unit (IFBD-HD03)
- (6) 9 Pin RS-232C Interface Board Unit (IFBD-HN03)
- (7) Ethernet Interface Board Unit (IFBD-HE03)

Please access the following URL
http://www.star-micronics.co.jp/service/frame_sp_spr_e.htm
 for the latest printer drivers and utilities.

IMPRIMANTE THERMIQUE

SÉRIE TSP700

MODE D'EMPLOI

stair 

**Federal Communications Commission
Interférences radioélectriques
Déclaration**

Cet appareil a été testé et déclaré conforme aux normes des appareils numériques de Classe A, conformément à l'article 15 du règlement de la FCC. Ces normes ont été établies en vue de fournir une protection convenable contre les parasites en usage commercial. Cet appareil génère, utilise et peut émettre des ondes radioélectriques, et s'il n'est pas installé et utilisé conformément aux instructions, peut produire des parasites en communications radio. L'utilisation de cet appareil dans une zone résidentielle produira vraisemblablement des parasites, dont l'élimination devra être prise en charge par l'utilisateur lui-même et à ses frais.

Pour être conforme à la norme antiparasitage fédérale, cet appareil doit être utilisé avec un câble blindé.

Cette déclaration ne concerne que les imprimantes vendues aux États-Unis d'Amérique.

**Déclaration du
Ministère des Communications du Canada
Règlement sur le brouillage radioélectrique**

Le présent appareil numérique n'émet pas de bruits radioélectriques dépassant les limites applicables aux appareils numériques de la Classe A prescrites dans le Règlement sur le brouillage radioélectrique édicté par le Ministère des Communications du Canada.

Cette déclaration ne concerne que les imprimantes vendues au Canada.

Déclaration de conformité CE du fabricant

Directive du conseil de la CE 89/336/EEC du 3 mai 1989

Ce produit a été conçu et fabriqué en accord avec les normes internationales EN 61000-6-3/10.2001 et EN 55024/09.98 selon les dispositions de la Directive de mai 1989 de la CE, relative à la compatibilité électromagnétique.

Directives du conseil de la CE 73/23/EEC et 93/68/EEC du 22 juillet 1993

Ce produit a été conçu et fabriqué en accord avec les normes internationales EN 60950 selon les dispositions de la Directive de juillet 1993 de la CE, relative à la basse tension.

Valable pour les imprimantes commercialisées en Europe seulement.

Renseignements sur les marques de fabrique

TSP700: Star Micronics Co., Ltd.

ESC/POS: Seiko Epson Corporation

Remarque

- Tous droits réservés. La reproduction d'une partie de ce manuel sous quelque forme que ce soit, sans la permission expresse de STAR, est strictement interdite.
- Le contenu de ce manuel peut être modifié sans préavis.
- Des précautions ont été prises lors de l'impression de ce manuel pour garantir la précision de son contenu. Cependant, en cas d'erreur dans ce manuel, STAR apprécierait grandement d'en être informé.
- Cependant, STAR n'assume aucune responsabilité en cas d'erreurs dans ce manuel.

© Copyright 2001 Star Micronics Co., LTD.

Informations concernant la sécurité

Attention!

Assurez-vous que l'imprimante est hors tension, qu'elle est débranchée de la prise secteur et que l'ordinateur est hors tension avant d'effectuer les connexions.

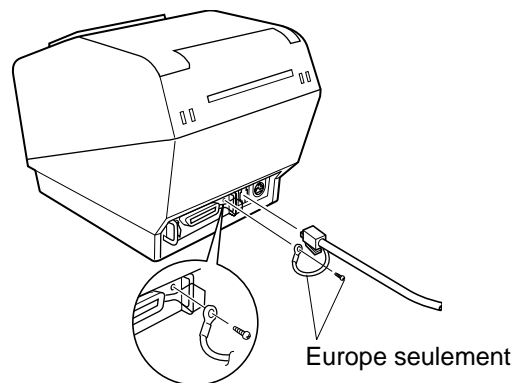
Attention!

Ne connectez pas une ligne de téléphone à la borne du pilote de périphérique, sous peine de risquer d'endommager l'imprimante.

Pour des raisons de sécurité, il convient également de ne pas brancher d'appareil périphérique en cas de risque de survolage.

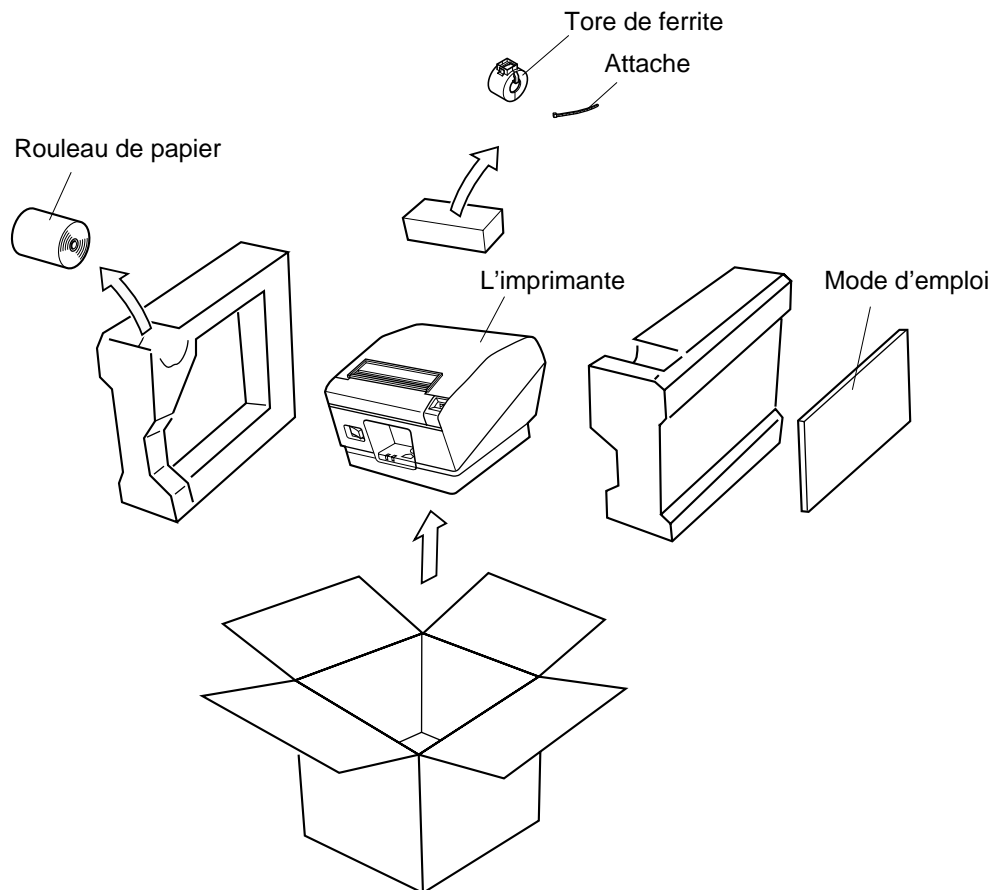
Attachez le fil de mise à la terre. (Europe seulement)

Déposez la vis indiquée dans le schéma ci-dessous, puis attachez la borne du fil de mise à la terre à l'endroit occupé précédemment par la vis et resserrez la vis.



Déballage

- ✓ L'imprimante
- ✓ Mode d'emploi
- ✓ Rouleau de papier
- ✓ Tore de ferrite(modèle avec interface parallèle seulement)
- ✓ Attache(modèle avec interface parallèle seulement)



Emplacement de l'imprimante

Avant de déballer l'imprimante, déterminez l'emplacement où vous souhaitez l'installer. Veuillez observer les points ci-dessous lors de votre choix.

- ✓ Choisissez une surface stable et de niveau sur laquelle l'imprimante ne sera exposée à aucune vibration.
- ✓ Assurez-vous que l'emplacement dispose d'une prise secteur proche et d'accès aisé.
- ✓ Assurez-vous que la distance entre l'imprimante et l'ordinateur-hôte vous permet de les raccorder aisément.
- ✓ Assurez-vous que l'imprimante n'est pas exposée directement aux rayons du soleil.
- ✓ Tenez l'imprimante à l'écart des sources de chaleur importante, telles que les appareils de chauffage, etc.
- ✓ Assurez-vous que le lieu où vous souhaitez installer l'imprimante est propre, sec et n'est pas poussiéreux.
- ✓ Assurez-vous que la prise secteur à laquelle vous raccordez l'imprimante délivre une tension stable. Evitez de raccorder l'imprimante à la prise secteur d'un circuit alimentant de gros consommateurs de courant, tels qu'un photocopieur, réfrigérateur, etc.
- ✓ Assurez-vous que le lieu où vous installez l'imprimante n'est pas excessivement humide.

Consommables

Il convient d'utiliser exclusivement les types de papier figurant dans le tableau ci-dessous. Veillez également à utiliser l'adaptateur secteur qui figure dans le tableau.

L'utilisation d'un type de papier et d'adaptateur ne figurant pas dans le tableau risque d'endommager l'imprimante, de causer un incendie ou une décharge électrique.

(1) Rouleau de papier, caractéristiques

Papier thermique

Épaisseur: 65~150 μm

Largeur: 79,5 \pm 0,5 mm ou 82,5 \pm 0,5 mm ou 57,5 \pm 0,5 mm

Diamètre extérieur du rouleau: ϕ 100 mm ou moins

Diamètre extérieur/intérieur du support de rouleau

Épaisseur du papier	Extérieur du support de rouleau	Intérieur du support de rouleau
65~75 μm	ϕ 18 \pm 1 mm	ϕ 12 \pm 1 mm
65~75 μm	ϕ 32 \pm 1 mm	ϕ 25,4 mm
75~150 μm	ϕ 32 \pm 1 mm	ϕ 25,4 mm

Surface imprimée: Bord extérieur du rouleau

Extrémité arrière: Ne pas utiliser de colle pour immobiliser le rouleau de papier ou son noyau.

Ne pas plier l'extrémité arrière du papier.

(2) Papier conseillé

Mitsubishi paper mills limited

P220AG (papier de type normal), 65 μm (épaisseur)

HP220A (papier à stabilité d'image élevée), 65 μm (épaisseur)

HP220AB-1 (papier à stabilité d'image élevée), 75 μm (épaisseur)

P220AB (papier de type normal, ticket), 85 μm (épaisseur)

P220AC-1 (papier de type normal, ticket), 95 μm (épaisseur)

P220AC (papier de type normal, ticket), 105 μm (épaisseur)

P220AD (papier de type normal, ticket), 130 μm (épaisseur)

P220AE-1 (papier de type normal, ticket), 150 μm (épaisseur)

PB670 (papier 2 couleurs: rouge et noir), 75 μm (épaisseur)

PB770 (papier 2 couleurs: bleu et noir), 75 μm (épaisseur)

Oji paper Co., Ltd.

PD150R (papier de type normal), 75 μm (épaisseur)

PD160R (papier à stabilité d'image élevée), 65/75 μm (épaisseur)

PD750R (papier 2 couleurs: rouge et noir), 75 μm (épaisseur)

PD700R (papier 2 couleurs: bleu et noir), 75 μm (épaisseur)

Nippon paper industries

TF50KS-E2C (papier de type normal), 65 μm (épaisseur)

Kanzaki Specialty Papers Inc. (KSP)

P320RB (papier 2 couleurs: rouge et noir), 65 μm (épaisseur)

P320BB (papier 2 couleurs: bleu et noir), 65 μm (épaisseur)

Suivant le type et l'épaisseur du papier, il peut être nécessaire de changer le réglage de clarté d'impression. Pour changer le réglage de la clarté d'impression, utilisez la commande de réglage de clarté d'impression <ESC><RS>'d'n. Reportez-vous au manuel de programmation séparé pour les détails.

Connexion de l'adaptateur secteur optionnel

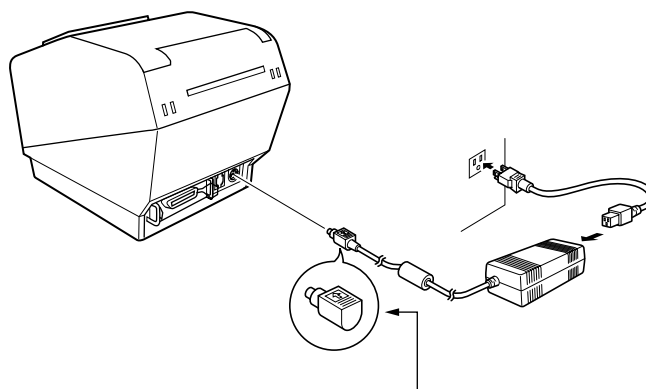
Remarque: Avant de connecter ou déconnecter l'adaptateur secteur, veillez à ce que l'imprimante et tous les appareils qui y sont connectés soient hors tension. Veillez également à débrancher le câble d'alimentation de la prise secteur.

(1) Connectez l'adaptateur secteur au câble d'alimentation.

Remarque: Utilisez exclusivement l'adaptateur secteur et le câble d'alimentation destinés à l'imprimante.

(2) Connectez l'adaptateur secteur à la borne de l'imprimante.

(3) Branchez la prise du câble d'alimentation à la prise secteur.

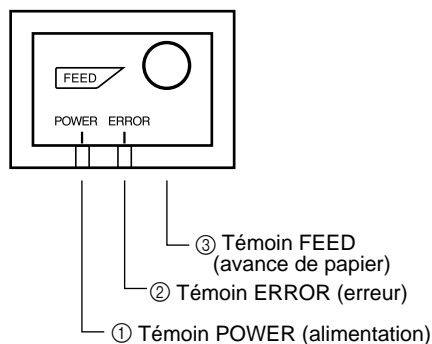


Attention!

Lorsque vous débranchez le câble, saisissez la prise du câble pour tirer dessus. Vous pourrez débrancher plus facilement la prise après avoir libéré le verrou.

Ne tirez pas violemment sur le câble car vous risqueriez d'endommager la prise.

Panneau de commande



① Témoin POWER (DEL verte)

S'allume quand l'appareil est sous tension.

② Témoin ERROR (DEL rouge)

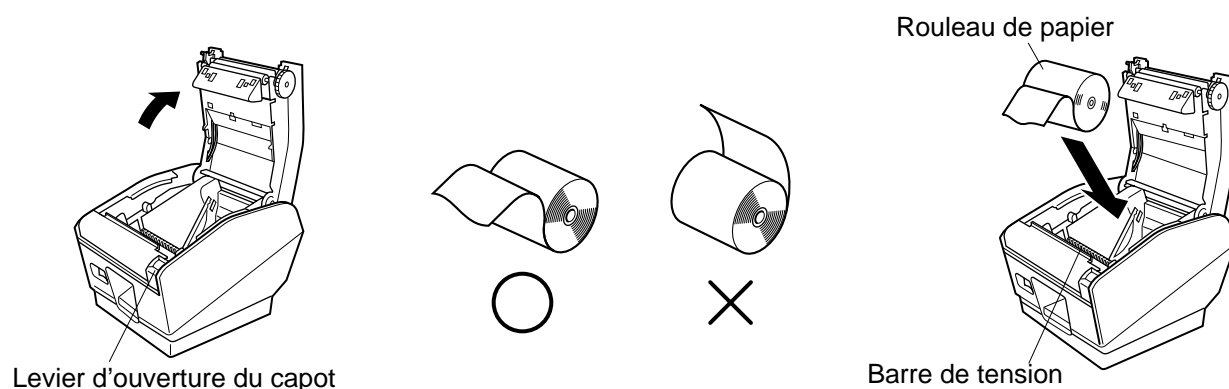
Indique des erreurs variées en combinaison avec le témoin POWER.

③ Témoin FEED

Appuyez sur la touche FEED pour faire avancer le papier.

Chargement du rouleau de papier

Veillez à utiliser un rouleau de papier qui correspond aux spécifications de l'imprimante. Lors de l'utilisation d'un rouleau de papier de 82,5 mm de large, déposez le support du rouleau de papier. Poussez le levier d'ouverture du capot et ouvrez le capot de l'imprimante.



Mettez le rouleau de papier en place dans le creux tout en respectant son orientation, et tirez sur l'extrémité du papier.

Remarque 1: Quand vous utilisez un papier dont l'épaisseur rend nécessaire l'utilisation de la barre de tension ($65 \mu\text{m} \leq \text{épaisseur du papier} < 100 \mu\text{m}$), veillez à ne pas faire passer le papier sous la barre de tension.

Correction de bourrages de papier

En cas de bourrage de papier, procédez comme suit afin d'y remédier :

- (1) Mettez l'appareil hors tension.
- (2) Tirez le levier tout à fait vers le bas afin d'ouvrir le capot de l'imprimante.
- (3) Retirez le papier bloqué.

Remarque: Veillez à ne pas endommager l'imprimante lors du retrait du papier bloqué. Veillez particulièrement à ne pas toucher la tête d'impression thermique en raison de sa fragilité.

- (4) Veillez à insérer le rouleau de papier tout droit et refermez avec soin le capot de l'imprimante.

Remarque 1: Le papier doit être placé bien droit. Si vous refermez le capot de l'imprimante alors que le papier est de travers (voir illustration), un bourrage peut se produire.

Remarque 2: Verrouillez le capot de l'imprimante en appuyant sur les côtés. Ne pas essayer de refermer le capot en appuyant sur son centre. Le capot pourrait ne pas se verrouiller correctement.

- (5) Mettez l'imprimante sous tension. Assurez-vous que la DEL ERROR n'est pas allumée.

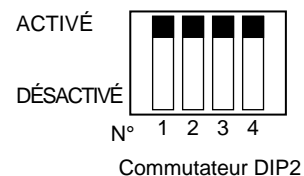
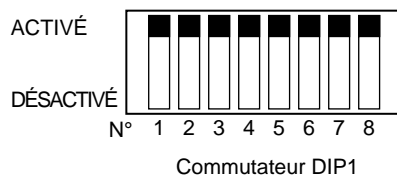
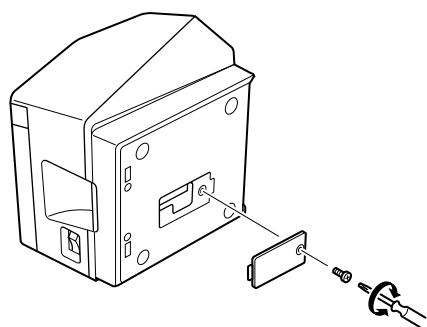
Remarque: Tant que la DEL ERROR est allumée, l'imprimante n'accepte aucune commande. Il faut donc veiller à ce que le capot de l'imprimante soit verrouillé.

Nettoyage de la tête d'impression

Nettoyez la poussière noire accumulée sur la surface de la tête d'impression thermique en l'essuyant avec de l'alcool isopropylique.

Remarque: La tête d'impression thermique est fragile, il convient donc de procéder avec précaution. Prenez soin de ne pas la griffer.

Affectation des broches des commutateurs DIP – Type à interface parallèle



Commutateur DIP 1

Commutateur 1-1	Émulation
ACTIVÉ	Mode Star
DÉSACTIVÉ	Mode ESC/POS

(1) Mode Star

Commutateur	Fonction	ACTIVÉ	DÉSACTIVÉ
1-1	Émulation	Toujours activé	
1-2	Ne pas modifier le réglage (doit toujours être activé).		
1-3	Ne pas modifier le réglage (doit toujours être activé).		
1-4	Réglage de capteur	Invalide	Valide
1-5	Broche n°31 (INIT) signal de réinitialisation	Valide	Invalide
1-6	État d'établissement de liaison (état OCCUPÉ)	Hors-ligne ou mémoire tampon réceptrice pleine	Mémoire tampon réceptrice pleine
1-7	Fonction de transmission automatique d'état	Invalide	Valide
1-8	Ne pas modifier le réglage (doit toujours être activé).		

(2) Mode ESC/POS

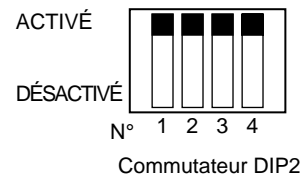
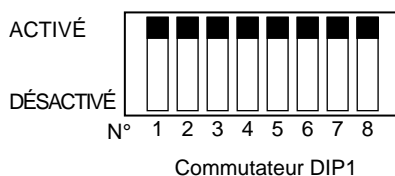
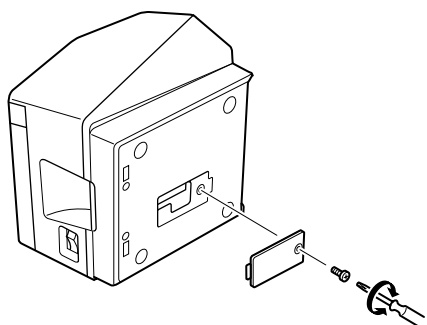
Commutateur	Fonction	ACTIVÉ	DÉSACTIVÉ
1-1	Émulation	Toujours désactivé	
1-2	Réglage graphie	203 ppp	180 ppp
1-3	Ne pas modifier le réglage (doit toujours être activé).		
1-4	Réglage de capteur	Invalide	Valide
1-5	Broche n°31 (INIT) signal de réinitialisation	Valide	Invalide
1-6	État d'établissement de liaison (état OCCUPÉ)	Hors-ligne ou mémoire tampon réceptrice pleine	Mémoire tampon réceptrice pleine
1-7	Fonction de transmission automatique d'état	Invalide	Valide
1-8	Ne pas modifier le réglage (doit toujours être activé).		

Commutateur DIP 2

Commutateur	Fonction	ACTIVÉ	DÉSACTIVÉ
2-1	Toujours activé	Doit toujours être activé.	
2-2			
2-3			
2-4			

Tous les réglages de commutateur DIP sont activés au départ de l'usine.

Affectation des broches des commutateurs DIP – Type à interface sèrie



Commutateur DIP 1

Commutateur 1-1	Émulation
ACTIVÉ	Mode Star
DÉSACTIVÉ	Mode ESC/POS

(1) Mode Star

Commutateur	Fonction	ACTIVÉ	DÉSACTIVÉ
1-1	Émulation	Toujours activé	
1-2	Ne pas modifier le réglage (doit toujours être activé).		
1-3	Ne pas modifier le réglage (doit toujours être activé).		
1-4	Réglage de capteur	Invalide	Valide
1-5	Ne pas modifier le réglage (doit toujours être activé).		
1-6	État d'établissement de liaison (état OCCUPÉ)	Hors-ligne ou mémoire tampon réceptrice pleine	Mémoire tampon réceptrice pleine
1-7	Fonction de transmission automatique d'état	Invalide	Valide
1-8	Ne pas modifier le réglage (doit toujours être activé).		

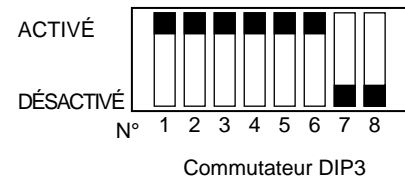
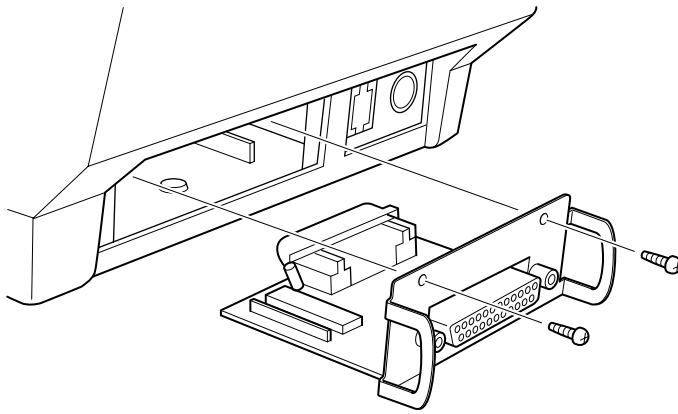
(2) Mode ESC/POS

Commutateur	Fonction	ACTIVÉ	DÉSACTIVÉ
1-1	Émulation	Toujours désactivé	
1-2	Réglage graphie	203 ppp	180 ppp
1-3	Ne pas modifier le réglage (doit toujours être activé).		
1-4	Réglage de capteur	Invalide	Valide
1-5	Ne pas modifier le réglage (doit toujours être activé).		
1-6	État d'établissement de liaison (état OCCUPÉ)	Hors-ligne ou mémoire tampon réceptrice pleine	Mémoire tampon réceptrice pleine
1-7	Fonction de transmission automatique d'état	Invalide	Valide
1-8	Ne pas modifier le réglage (doit toujours être activé).		

Commutateur DIP 2

Commutateur	Fonction	ACTIVÉ	DÉSACTIVÉ
2-1	Toujours activé	Doit toujours être activé.	
2-2			
2-3			
2-4			

Tous les réglages de commutateur DIP sont activés au départ de l'usine.



Commutateur DIP 3

Commutateur	Fonction	ACTIVÉ	DÉSACTIVÉ
3-1	Débit en bauds	Voir tableau ci-dessous.	
3-2			
3-3	Longueur des données	8 bits	7 bits
3-4	Contrôle de parité	Désactivé	Activé
3-5	Parité	Impair	Pair
3-6	Établissement de liaison	DTR/DSR	XON/XOFF
3-7	Ne pas modifier le réglage (doit toujours être désactivé).		
3-8			

Débit en bauds	Commutateur 3-1	Commutateur 3-2
4800BPS	DÉSACTIVÉ	ACTIVÉ
9600BPS	ACTIVÉ	ACTIVÉ
19200BPS	ACTIVÉ	DÉSACTIVÉ

Tous les réglages de commutateur DIP sont activés au départ de l'usine, à l'exception des broches 7 et 8.

Caractéristiques

Méthode d'impression	Impression thermique en ligne
Résolution	203 ppp x 203 ppp (8 points/mm)
Direction d'impression	Unidirectionnel avec entraînement par friction
Largeur de la ligne d'impression	Max. 80 mm (640 points)
Caractères par ligne (défaut)	Police A: 42, police B: 56
Interlettrage (défaut)	0 point
Taille de caractère	Police A: 1,5 x 3,0 mm Police B: 1,125 x 3,0 mm
Jeu de caractères	Caractères alphanumériques: 95 Caractères internationaux: 32 Graphiques externes: 128 x 40 pages
Vitesse d'impression	180 mm/s maximum
Interlignage	3 mm/4 mm
Structure des caractères	Police A: 12 x 24 Police B: 9 x 24
Interface	RS232C / IEEE1284 / USB / Ethernet
Taille de mémoire tampon réceptrice	8 k / 64 octets
Fiabilité MCBF	60 millions de lignes (en se basant sur un taux d'impression moyen de 12,5 % et une épaisseur de papier entre 65 mm et 75 mm)
Durée de service du massicot	1 million (papier d'épaisseur de 65 à 100 mm) 0,3 million de coupes (papier d'épaisseur de 100 à 150 mm)
Température	Fonctionnement: 5 à 45 °C Stockage: -20 à 60 °C
Humidité	Fonctionnement: 10 à 90 % HR (sans condensation) Stockage: 10 à 90 % HR (sans condensation)
Dimensions	147 x 213 x 148 (l x p x h)
Poids	Environ 1,7 kg

Options

- (1) Kit d'installation murale (WB-T700)
- (2) Kit de stand vertical (VS-T700)
- (3) Interface USB (IFBD-HU03)
- (4) Interface parallèle (IFBD-HC03)
- (5) Interface de port série avec connecteur à 25 broches (IFBD-HD03)
- (6) Interface de port série avec connecteur à 9 broches (IFBD-HN03)
- (7) Interface Ethernet (IFBD-HE03)

Pour obtenir les informations les plus récentes au sujet des pilotes et des logiciels utilitaires, veuillez consulter l'adresse URL http://www.star-micronics.co.jp/service/frame_sp_spr_e.htm.

THERMALDRUCKER
BAUREIHE TSP700
BEDIENUNGSANLEITUNG



Federal Communications Commission
Erklärung zur elektromagnetischen Störungssicherheit

Dieses Gerät wurde typengeprüft und entspricht den Vorschriften nach Klasse A für digitale Geräte, Teil 15 der US-amerikanischen FCC-Vorschrift. Diese Störgrenzen sollen ausreichenden Schutz gegen elektromagnetische Störungen bei Betrieb in gewerblichen Umgebungen bieten. Das Gerät erzeugt, arbeitet mit und verbreitet elektromagnetische Wellen und kann bei unsachgemäßem Betrieb Störungen im Funkverkehr verursachen.

Bei Betrieb dieses Geräts in Wohngebieten können elektromagnetische Störungen verursacht werden, die der Anwender auf eigene Kosten korrigieren muss.

Zur Erfüllung der US-amerikanischen Vorschriften zur Störungssicherheit ist für dieses Gerät ein abgeschirmtes Kabel erforderlich.

Diese Erklärung gilt nur für Drucker, die in den USA vermarktet werden.

Erklärung der kanadischen Kommunikationsbehörde
Richtlinien zur Störungssicherheit

Dieses digitale Gerät überschreitet nicht die Grenzen der Klasse A für Funkstörungen von Digitalgeräten, wie in den Richtlinien zur Funkstörungssicherheit der kanadischen Kommunikationsbehörde festgelegt.

Die obige Erklärung gilt nur für Drucker, die in Kanada vermarktet werden.

CE
Konformitätserklärung des Herstellers

Direktive des EG-Rats 89/336/EEC vom 3. Mai 1989

Dieses Produkt, konstruiert und hergestellt entsprechend den internationalen Normen EN 61000-6-3/10.2001 und EN 55024/09.98 entspricht den Vorschriften der Direktive für elektromagnetische Verträglichkeit der Europäischen Gemeinschaft, Stand Mai 1989.

Direktive des EG-Rats 73/23/EEC und 93/68/EEC vom 22. Juni 1993

Dieses Produkt, konstruiert und hergestellt entsprechend den internationalen Normen EN 60950 entspricht den Vorschriften der Direktive für Niederspannungen der Europäischen Gemeinschaft, Stand Juli 1993.

Die obigen Feststellungen gelten für Drucker, die in der EU vertrieben werden.

Eingetragene Warenzeichen

TSP700: Star Micronics Co., Ltd.

ESC/POS: Seiko Epson Corporation

Hinweis

- Alle Rechte vorbehalten. Kein Teil dieses Handbuches darf in irgendeiner Form ohne ausdrückliche Genehmigung der Firma STAR reproduziert werden.
- Änderungen jederzeit ohne Angabe von Gründen möglich.
- Bei der Zusammenstellung von Texten und Abbildungen wurde mit größter Sorgfalt vorgegangen. Trotzdem können Fehler nicht vollständig ausgeschlossen werden. Für Hinweise auf eventuell vorgefundene Fehler ist der Herausgeber dankbar.
- Die Firma STAR kann keine Verantwortung für Fehler in diesem Handbuch und eventuell daraus entstehende Folgen verantwortlich gemacht werden.

Sicherheitsinformation

Wichtig!

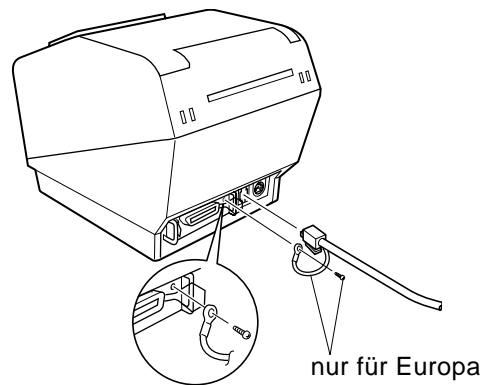
Vor dem Anschließen der Kabel sicherstellen, daß der Drucker ausgeschaltet und vom Netz getrennt ist.

Wichtig!

Nicht eine Telefonleitung an die Peripheriebuchse anschließen. Wenn dies geschieht, besteht die Gefahr von Schäden am Drucker. Aus Sicherheitsgründen außerdem nicht Verdrahtung an die Peripheriebuchse anschließen, wenn die Möglichkeit besteht, daß zu starke Spannung anliegt.

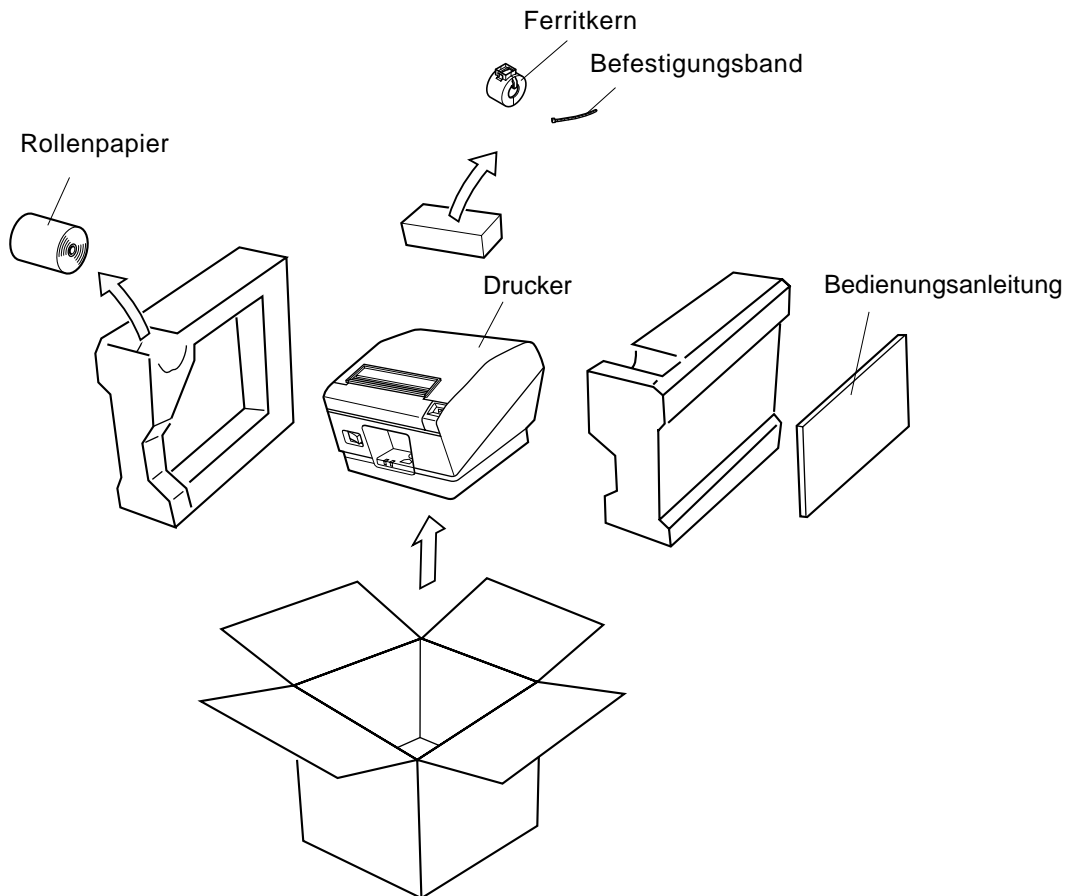
Den Erdungsdraht anschließen. (nur für Europa)

Die Schraube herausnehmen, wie in der Abbildung unten gezeigt, und dann die Erdungsdrahtklemme an der Stelle befestigen, wo die Schraube entfernt wurde, und die Schraube erneut befestigen.



Auspacken

- ✓ Drucker
- ✓ Bedienungsanleitung
- ✓ Rollenpapier
- ✓ Ferritkern(Nur beim Parallel-Schnittschnelle-Modell)
- ✓ Befestigungsband(Nur beim Parallel-Schnittschnelle-Modell)



Wahl eines Aufstellungsorts für den Drucker

Bevor Sie den Drucker auspacken, sollten Sie einige Minuten damit verbringen, einen geeigneten Aufstellungsort auszusuchen. Denken Sie dabei an die folgenden Punkte:

- ✓ Den Drucker auf einem flachen, aber festen Untergrund aufstellen, wo keine Vibrationen vorhanden sind.
- ✓ Die verwendete Steckdose soll in der Nähe und frei zugänglich sein.
- ✓ Sicherstellen, daß der Drucker nahe genug am Computer ist, um die Geräte mit dem Druckerkabel verbinden zu können.
- ✓ Sicherstellen, daß der Drucker vor direktem Sonnenlicht geschützt ist.
- ✓ Sicherstellen, daß der Drucker ausreichend weit von Heizkörpern entfernt steht.
- ✓ Dafür sorgen, daß die Umgebung des Druckers sauber, trocken und staubfrei ist.
- ✓ Sicherstellen, daß der Drucker an eine einwandfreie Stromzufuhr angeschlossen ist. Er sollte nicht an Steckdosen angeschlossen werden, an denen bereits Geräte mit möglichen Netzstörungen wie Kopierer, Kühlschränke u.a. angeschlossen sind.
- ✓ Den Drucker nicht an Orten mit hoher Luftfeuchtigkeit aufstellen.

Verbrauchsteile

Wenn die Verbrauchsteile verbraucht sind, besorgen Sie Ersatz entsprechend der unten gezeigten Tabelle.

Verwendung von Verbrauchsteilen oder Netzteilen, die nicht den unten aufgeführten Beschreibungen entsprechend, kann zu Schäden am Drucker, Bränden oder elektrischen Schlägen führen.

(1) Rollenpapierbeschreibung

Thermopapier

Dicke: 65~150 μm

Breite: 79,5 \pm 0,5 mm oder 82,5 \pm 0,5 mm oder 57,5 \pm 0,5 mm

Rollen-Außendurchmesser: ϕ 100 mm oder weniger

Kern Außen/Innen-Durchmesser

Papierdicke	Kern außen	Kern innen
65~75 μm	ϕ 18 \pm 1 mm	ϕ 12 \pm 1 mm
65~75 μm	ϕ 32 \pm 1 mm	ϕ 25,4 mm
75~150 μm	ϕ 32 \pm 1 mm	ϕ 25,4 mm

Druckfläche: Äußere Papierkante

Behandlung der Papierendkante: Nicht Paste oder Kleber zum Befestigen von Papierrolle oder Kern verwenden.

Nicht die Papierendkante falten.

(2) Empfohlenes Papier

Mitsubishi Paper Mills Ltd.

P220AG (Normalpapier), 65 μm (Dicke)

HP220A (Papier für hochstabile Bilder), 65 μm (Dicke)

HP220AB-1 (Papier für hochstabile Bilder), 75 μm (Dicke)

P220AB (Normalpapier, Kartenticket), 85 μm (Dicke)

P220AC-1 (Normalpapier, Kartenticket), 95 μm (Dicke)

P220AC (Normalpapier, Kartenticket), 105 μm (Dicke)

P220AD (Normalpapier, Kartenticket), 130 μm (Dicke)

P220AE-1 (Normalpapier, Kartenticket), 150 μm (Dicke)

PB670 (Bicolor-Papier: Rot & Schwarz), 75 μm (Dicke)

PB770 (Bicolor-Papier: Blau & Schwarz), 75 μm (Dicke)

Oji Paper Co., Ltd.

PD150R (Normalpapier), 75 μm (Dicke)

PD160R (Papier für hochstabile Bilder), 65/75 μm (Dicke)

PD750R (Bicolor-Papier: Rot & Schwarz), 75 μm (Dicke)

PD700R (Bicolor-Papier: Blau & Schwarz), 75 μm (Dicke)

Nippon Paper Industries

TF50KS-E2C (Normalpapier), 65 μm (Dicke)

Kanzaki Specialty Papers Inc. (KSP)

P320RB (Bicolor-Papier: Rot & Schwarz), 65 μm (Dicke)

P320BB (Bicolor-Papier: Blau & Schwarz), 65 μm (Dicke)

Je nach Typ und Stärke des Papiers kann es erforderlich sein, die Einstellungen für die Druckintensität zu ändern. Zum Ändern der Intensitätseinstellung den Druckintensität-Befehle <ESC><RS>'d'n verwenden. Einzelheiten siehe Programmieranleitung.

Anschließen des optionalen Netzteils

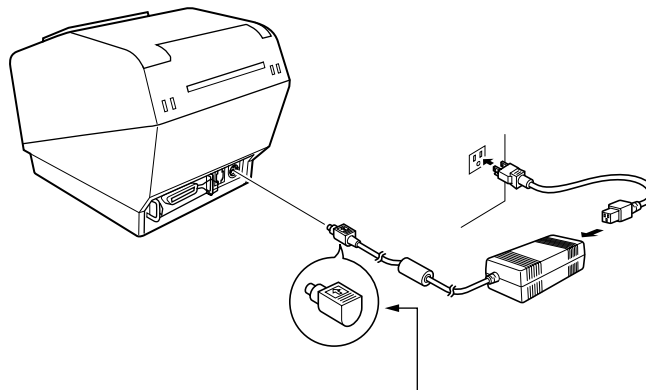
Hinweis: Vor dem Anschließen/Abtrennen des Netzteils stellen Sie sicher, daß der Drucker und alle angeschlossenen Geräte ausgeschaltet sind. Außerdem sollte der Netzstecker abgezogen sein.

(1) Schließen Sie das Netzteil an das Netzkabel an.

Hinweis: Verwenden Sie nur das vorgesehene Netzteil und Netzkabel.

(2) Das Netzteil am Stecker des Druckers anschließen.

(3) Stecken Sie den Netzstecker des Netzteils in eine Steckdose ein.

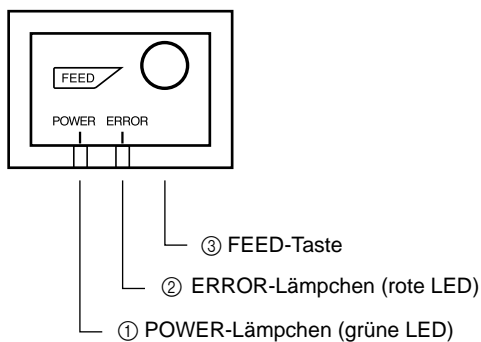


Wichtig!

Beim Abziehen des Kabels immer am Stecker ziehen und nicht am Kabel. Durch das Lösen der Verriegelung wird das Abziehen des Steckers leicht möglich.

Wenn stark am Kabel selber gezogen wird, kann der Stecker beschädigt werden.

Bedienfeld



① POWER-Lämpchen (grüne LED)
Leuchtet in eingeschaltetem Zustand

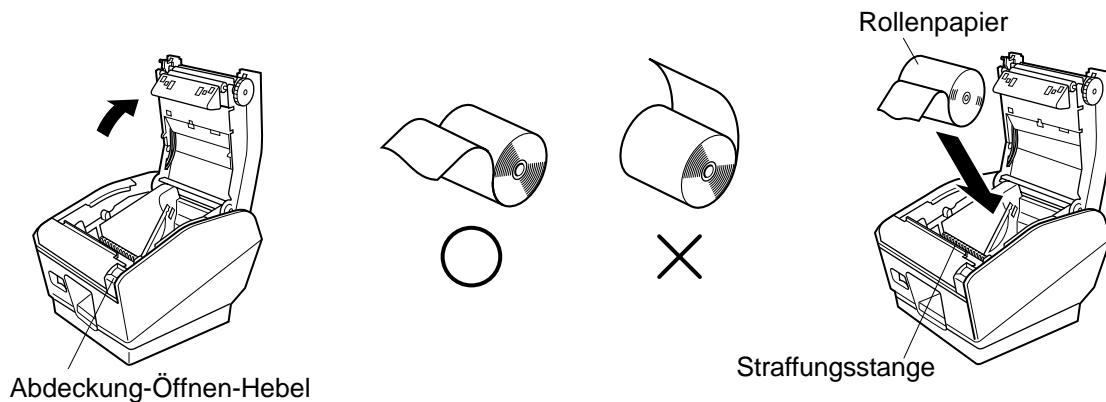
② ERROR-Lämpchen (rote LED)
Zeigt in Kombination mit dem POWER-Lämpchen verschiedene Fehlerzustände an.

③ FEED-Taste
Die FEED-Taste drücken, um das Rollenpapier vorzutransportieren.

Einlegen der Papierrolle

Immer Rollenpapier verwenden, das zu den technischen Daten des Druckers paßt.

Bei Verwendung einer Papierrolle mit einer Breite von 82,5 mm den Papierrollenhalter entfernen. Den Abdeckung-Öffnen-Hebel drücken, und die Druckerabdeckung öffnen.



Unter Beachtung der richtigen Einsetzrichtung der Rolle die Papierrolle in die Vertiefung legen und die Vorderkante des Papiers nach vorne ziehen.

Hinweis 1: Wenn Papier mit einer Dicke verwendet wird, die die Straffziehstange erforderlich macht ($65 \mu\text{m} \leq \text{Papierdicke} < 100 \mu\text{m}$), darf das Papier nicht unter die Straffziehstange geführt werden.

Beheben von Papierstau

Wenn ein Papierstau auftritt, beheben Sie ihn wie folgt.

- (1) Stellen Sie den Netzschalter auf Aus, um den Drucker auszuschalten.
- (2) Ziehen Sie den Hebel nach vorne, um die Druckerabdeckung zu öffnen.
- (3) Entfernen Sie das gestaute Papier.

Hinweis: Take care not to damage the printer when removing the jammed paper.

Since it is easy to damage the thermal head in particular, take care not to touch it.

- (4) Stellen Sie sicher, daß das Papier gerade ausgerichtet ist, und schließen Sie die Druckerabdeckung vorsichtig.

Hinweis 1: Make sure that the paper is positioned straight. If the printer cover is closed with the paper skewed, a paper jam may result.

Hinweis 2: Lock the printer cover by pressing down on the sides. Do not try to close it by pressing down on the center. The cover may not lock properly.

- (5) Stellen Sie den Netzschalter in Ein-Stellung, um den Drucker einzuschalten. Stellen Sie sicher, daß die ERROR-LED nicht leuchtet.

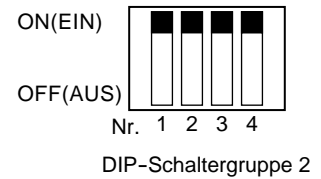
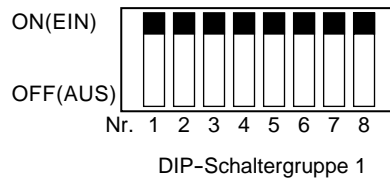
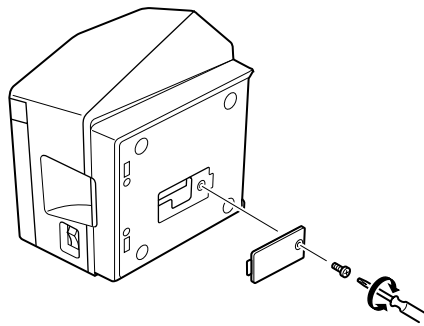
Hinweis: Während die ERROR-LED leuchtet, akzeptiert der Drucker keine Befehle wie Druckbefehl; stellen Sie deshalb sicher, daß die Abdeckung richtig geschlossen ist.

Reinigen des Thermalkopfes

Zum Entfernen von schwärzlichem Staub auf der Oberfläche des Thermalkopfes diesen mit Isopropylalkohol (IPA) abwischen.

Hinweis: Der Thermalkopf läßt sich leicht beschädigen. Zum Abwischen immer einen sehr weichen Lappen verwenden und sicherstellen, daß er nicht zerkratzt wird.

DIP-Schalter-Einstellungen - Parallelschnittstellentyp



DIP-Schaltergruppe 1

Schalter 1-1	Befehlsemulation
ON(EIN)	Star-Modus
OFF(AUS)	ESC/POS-Modus

(1) Star-Modus

Schalter	Funktion	ON(EIN)	OFF(AUS)
1-1	Befehlsemulation	Immer ON(EIN)	
1-2	Soll nicht geändert werden (soll auf ON stehen).		
1-3	Soll nicht geändert werden (soll auf ON stehen).		
1-4	Sensor-Einstellung	Ungültig	Gültig
1-5	Pin Nr. 31 (INIT) Reset-Signal	Gültig	Ungültig
1-6	Handshaking-Bedingungen (Bedingungen für BUSY)	Offline oder Empfangspuffer voll	Empfangspuffer voll
1-7	Automatische Statusrückmeldungsfunktion	Ungültig	Gültig
1-8	Soll nicht geändert werden (soll auf ON stehen).		

(2) ESC/POS-Modus

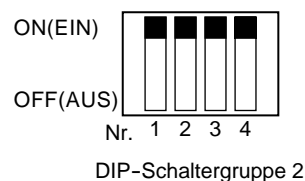
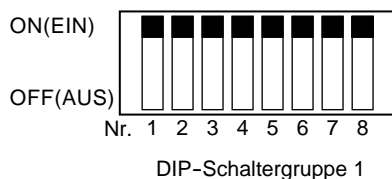
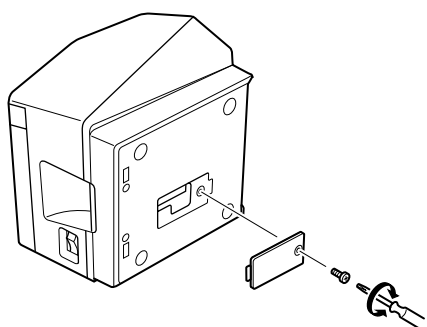
Schalter	Funktion	ON(EIN)	OFF(AUS)
1-1	Befehlsemulation	Immer OFF(AUS)	
1-2	Grafik-Einstellung	203 DPI	180 DPI
1-3	Soll nicht geändert werden (soll auf ON stehen).		
1-4	Sensor-Einstellung	Ungültig	Gültig
1-5	Pin Nr. 31 (INIT) Reset-Signal	Gültig	Ungültig
1-6	Handshaking-Bedingungen (Bedingungen für BUSY)	Offline oder Empfangspuffer voll	Empfangspuffer voll
1-7	Automatische Statusrückmeldungsfunktion	Ungültig	Gültig
1-8	Soll nicht geändert werden (soll auf ON stehen).		

DIP-Schaltergruppe 2

Schalter	Funktion	ON(EIN)	OFF(AUS)
2-1	Immer ON(EIN)	Soll auf ON stehen.	
2-2			
2-3			
2-4			

Die werkseitigen Einstellungen der DIP-Schalter sind ON.

DIP-Schalter-Einstellungen - Seriellschnittstellentyp



DIP-Schaltergruppe 1

Schalter 1-1	Befehlsemulation
ON(EIN)	Star-Modus
OFF(AUS)	ESC/POS-Modus

(1) Star-Modus

Schalter	Funktion	ON(EIN)	OFF(AUS)
1-1	Befehlsemulation	Immer ON(EIN)	
1-2	Soll nicht geändert werden (soll auf ON stehen).		
1-3	Soll nicht geändert werden (soll auf ON stehen).		
1-4	Sensor-Einstellung	Ungültig	Gültig
1-5	Soll nicht geändert werden (soll auf ON stehen).		
1-6	Handshaking-Bedingungen (Bedingungen für BUSY)	Offline oder Empfangspuffer voll	Empfangspuffer voll
1-7	Automatische Statusrückmeldungsfunktion	Ungültig	Gültig
1-8	Soll nicht geändert werden (soll auf ON stehen).		

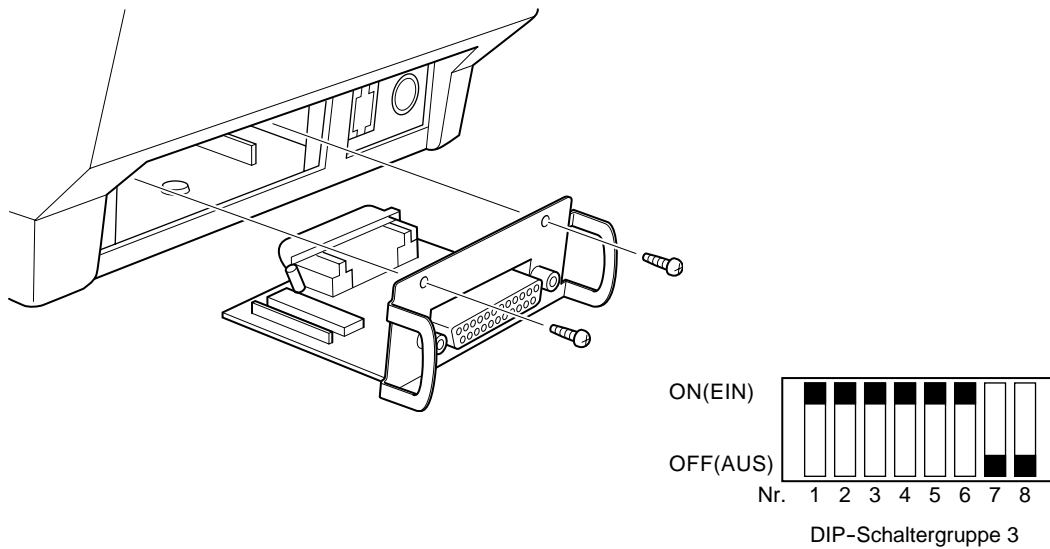
(2) ESC/POS-Modus

Schalter	Funktion	ON(EIN)	OFF(AUS)
1-1	Befehlsemulation	Immer OFF(AUS)	
1-2	Grafik-Einstellung	203 DPI	180 DPI
1-3	Soll nicht geändert werden (soll auf ON stehen).		
1-4	Sensor-Einstellung	Ungültig	Gültig
1-5	Soll nicht geändert werden (soll auf ON stehen).		
1-6	Handshaking-Bedingungen (Bedingungen für BUSY)	Offline oder Empfangspuffer voll	Empfangspuffer voll
1-7	Automatische Statusrückmeldungsfunktion	Ungültig	Gültig
1-8	Soll nicht geändert werden (soll auf ON stehen).		

DIP-Schaltergruppe 2

Schalter	Funktion	ON(EIN)	OFF(AUS)
2-1	Immer ON(EIN)	Soll auf ON stehen.	
2-2			
2-3			
2-4			

Die werkseitigen Einstellungen der DIP-Schalter sind ON.



DIP-Schaltergruppe 3

Schalter	Funktion	ON(EIN)	OFF(AUS)
3-1	Baudrate	Siehe Tabelle unten	
3-2			
3-3	Datenlänge	8 Bit	7 Bit
3-4	Paritätsprüfung	Deaktiviert	Aktiviert
3-5	Parität	Ungerade	Gerade
3-6	Handshake	DTR/DSR	XON/XOFF
3-7	Soll nicht geändert werden (soll auf OFF stehen).		
3-8			

Baudrate	Schalter 3-1	Schalter 3-2
4800BPS	OFF(AUS)	ON(EIN)
9600BPS	ON(EIN)	ON(EIN)
19200BPS	ON(EIN)	OFF(AUS)

Die werkseitigen Einstellungen der DIP-Schalter sind ON, ausgenommen für Schalter 7 und 8.

Technische Daten

Druckmethode	Thermal-Zeilendruck
Punktdichte	203 dpi x 203 dpi (8 Punkte/mm)
Druckrichtung	Unidirektional mit Friktionsvorschub
Druckbreite	Max. 80 mm (640 Punkte)
Zeichen pro Zeile (Standard)	Schriftart A: 42, Schriftart B: 56
Zeichenabstand (Standard)	0 Punkte
Zeichengröße	Schriftart A: 1,5 x 3,0 mm Schriftart B: 1,125 x 3,0 mm
Zeichensatz	Alphanumerische Zeichen: 95 Internationale Zeichen: 32 Externe Grafiken: 128 x 40 Seiten
Druckgeschwindigkeit	Max. 180 mm/s
Zeilenabstand	3 mm / 4 mm
Zeichenstruktur	Schriftart A: 12 x 24 Schriftart B: 9 x 24
Schnittstelle	RS232C / IEEE1284 / USB / Ethernet
Empfangspuffergröße	8K / 64 Byte
MCBF	60 Millionen Zeilen (Basierend auf einer durchschnittlichen Druckrate von 12,5% bei Papierdicke im Bereich 65 µm bis 75 µm)
Messer-Lebensdauer	1 Million (65-100 µm dickes Papier) 0,3 Millionen Schneidvorgänge (100 bis 150 µm dickes Papier)
Temperatur	Betrieb: 5 bis 45 °C Lagerung: -20 bis 60 °C
Feuchtigkeit	Betrieb: 10 bis 90% Luftfeuchtigkeit (ohne Kondensation) Lagerung: 10 bis 90% Luftfeuchtigkeit (ohne Kondensation)
Abmessungen	147 x 213 x 148 (B x T x H mm)
Gewicht	Ca. 1,7 kg

Optionen

- (1) Wandbefestigungssatz (WB-T700)
- (2) Vertikaler Ständersatz (VS-T700)
- (3) USB-Schnittstelleneinheit (IFBD-HU03)
- (4) Parallel-Schnittstelleneinheit (IFBD-HC03)
- (5) 25-Pin RS-232C Schnittstelleneinheit (IFBD-HD03)
- (6) 9-Pin RS-232C Schnittstelleneinheit (IFBD-HN03)
- (7) Ethernet-Schnittstelleneinheit (IFBD-HE03)

Bitte gehen Sie zur folgenden URL

http://www.star-micronics.co.jp/service/frame_sp_spr_e.htm

für Informationen über die neuesten Druckertreiber und Hilfsprogramme.

STAMPANTE TERMICA

SERIE TSP700

MANUALE DI ISTRUZIONI

stair 

Commissione Federale sulle Comunicazioni
Disposizione sulle Interferenze da Frequenze Radio

Questo apparecchio è stato sottoposto a controlli ed è stato quindi riconosciuto operare entro i limiti relativi ai dispositivi digitali in Classe A in conformità alla Parte 15 dei Regolamenti FCC. I suddetti limiti sono intesi a fornire una ragionevole protezione contro le interferenze nocive qualora l'apparecchio sia impiegato in ambienti commerciali. Questo apparecchio genera, utilizza e può irradiare energia in radio frequenza e, qualora non installato ed utilizzato in accordo al proprio manuale di istruzione, può causare interferenze nocive alle comunicazioni radio.

L'utilizzo di questo apparecchio in aree residenziali può causare interferenze nocive, nel cui caso l'utilizzatore è tenuto a rimediare a proprie spese.

Al fine della conformità allo Standard Federale sulle Interferenze, questo apparecchio richiede l'utilizzo di un cavo schermato.

La presente disposizione trova applicazione solamente per le stampanti vendute negli U.S.A.

Disposizione del Dipartimento Canadese delle Comunicazioni
Regolamenti sulle Interferenze Radio

Questo apparecchio digitale non eccede i limiti in Classe A relativi ai disturbi causati dalle emissioni radio provenienti dagli apparecchi digitali, così come esposto nei Regolamenti sulle Interferenze Radio del Dipartimento Canadese delle Comunicazioni.

La suddetta disposizione trova applicazione solamente per le stampanti vendute in Canada.

CE
Dichiarazione di conformità del fabbricante

Direttiva del Consiglio CE 89/336/CEE del 3 maggio 1989

Questo prodotto è stato progettato e fabbricato secondo gli Standard Internazionali EN 61000-6-3/10.2001 e EN 55024/09.98 seguendo quanto previsto dalla Direttiva sulla Compatibilità Elettromagnetica della Comunità Europea del maggio 1989.

Direttiva del Consiglio CE 73/23/CEE e 93/68/CEE del 22 luglio 1993

Questo prodotto è stato progettato e fabbricato secondo gli Standard Internazionali EN 60950 seguendo quanto previsto dalla Direttiva sulla Bassa Tensione della Comunità Europea del luglio 1993.

La dichiarazione di cui sopra è applicabile solo ai prodotti in vendita nell'UE.

Riconoscimento di marchio registrato

TSP700: Star Micronics Co., Ltd.

ESC/POS: Seiko Epson Corporation

Avvertenze

- Tutti i diritti riservati. La riproduzione di qualsiasi parte di questo manuale in qualsiasi forma o mezzo, senza il diretto consenso della STAR, è severamente proibita.
- Le informazioni contenute nel presente manuale sono soggette a modifiche senza preavviso.
- Malgrado siano state prese tutte le precauzioni per garantire l'accuratezza delle informazioni contenute nel presente manuale al momento della stampa, la STAR sarà ben lieta di ricevere segnalazioni degli eventuali errori riscontrati.
- Nonostante quanto citato sopra, la STAR non si assume nessuna responsabilità per eventuali errori contenuti nel presente manuale.

Informazioni relative alla sicurezza

Importante!

Assicurarsi che la stampante sia spenta e scollegata dalla presa di corrente e che il computer sia spento prima di eseguire il collegamento.

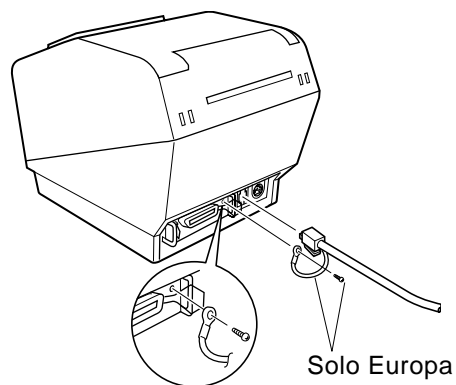
Importante!

Non collegare una linea telefonica al connettore di controllo esterno. Altrimenti si potrebbero avere danni alla stampante.

Inoltre, per ragioni di sicurezza, non collegare fili al connettore di controllo esterno, perché se ci sono cambiamenti potrebbero condurre una tensione eccessiva.

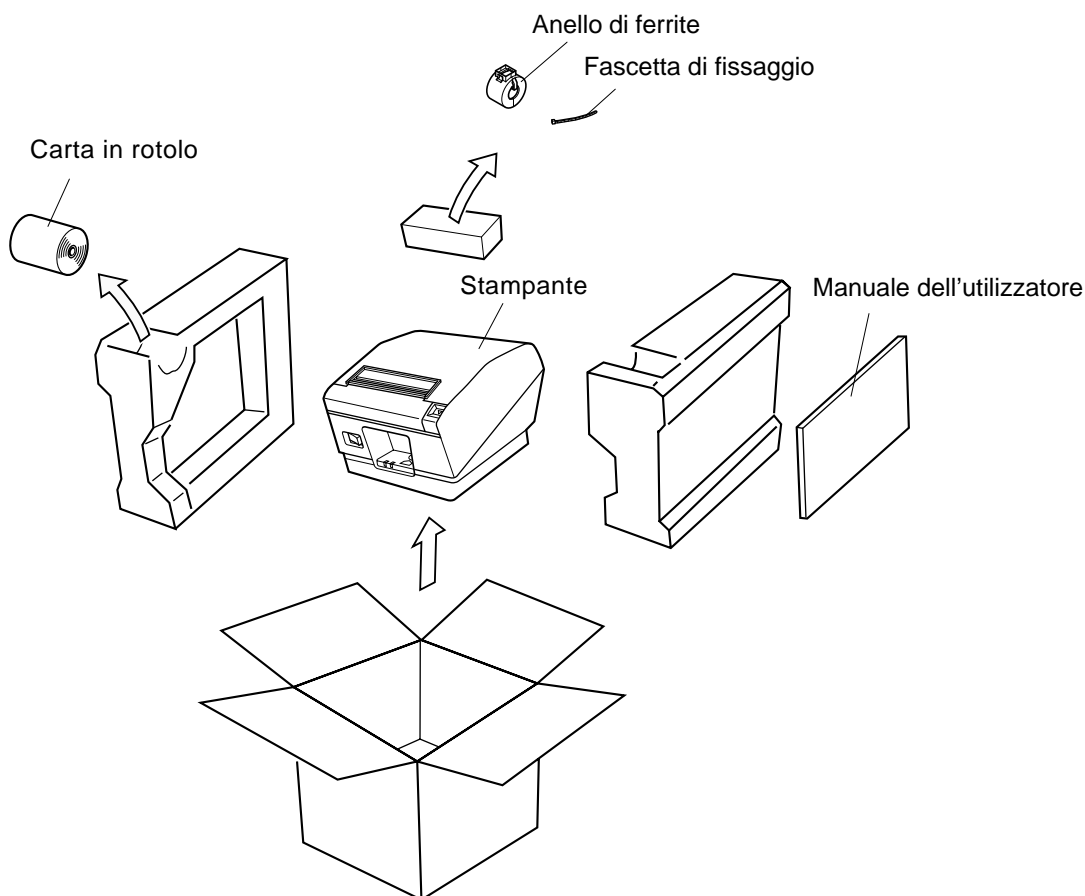
Collegare il filo di massa. (Solo Europa)

Togliere la vite indicata nella figura sotto, poi fissare il terminale del filo di massa al punto dove è stata rimossa la vite e serrare la vite.



Disimballaggio

- ✓ Stampante
- ✓ Manuale dell'utente
- ✓ Carta in rotolo
- ✓ Anello di ferrite (solo modello a interfaccia parallelo)
- ✓ Fascetta di fissaggio (solo modello a interfaccia parallelo)



Scelta di un luogo per la stampante

Prima di disimballare la stampante, decidere dove si desidera installarla. Tenere presenti i seguenti punti.

- ✓ Scegliere una superficie stabile e in piano, dove la stampante non sia esposta a vibrazioni.
- ✓ La presa di corrente che si intende usare per la stampante deve essere vicina e libera da ostacoli.
- ✓ La stampante deve essere abbastanza vicina al computer da permettere il collegamento tra i due.
- ✓ Assicurarsi che la stampante non sia esposta alla luce solare diretta.
- ✓ Assicurarsi che la stampante sia lontana da caloriferi e altre fonti di calore elevato.
- ✓ Assicurarsi che l'area circostante sia pulita, asciutta e priva di polvere.
- ✓ Assicurarsi che la stampante sia collegata ad una presa di corrente affidabile. Non deve essere la stessa presa di corrente di copiatrici, frigoriferi e altre apparecchiature che causano picchi di corrente.
- ✓ Assicurarsi che la stanza dove si usa la stampante non sia troppo umida.

Parti soggette a consumo

Quando le parti soggette a consumo si sono esaurite, usare quelle specificate nella seguente tabella. Assicurarsi di usare il trasformatore CA specificato nella tabella.

L'uso di parti soggette a consumo o di un trasformatore CA diversi da quanto specificato nella tabella può causare danni alla stampante, incendi o scosse elettriche.

(1) Carta in rotolo specifiche

Carta termica

Spessore: 65~150 μm

Larghezza: 79,5 \pm 0,5 mm o 82,5 \pm 0,5 mm o 57,5 \pm 0,5 mm

Diametro esterno rullo: ϕ 100 mm o meno

Diametro interno/esterno nucleo

Spessore carta	Nucleo: esterno	Nucleo: interno
65~75 μm	ϕ 18 \pm 1 mm	ϕ 12 \pm 1 mm
65~75 μm	ϕ 32 \pm 1 mm	ϕ 25,4 mm
75~150 μm	ϕ 32 \pm 1 mm	ϕ 25,4 mm

Superficie stampata: Bordo esterno del rotolo

Maneggio dell'estremità finale: Non usare colla o adesivi per fissare la carta del rotolo o il suo nucleo.

Non piegare l'estremità finale della carta.

(2) Carta consigliata

Mitsubishi Paper Mills Limited

P220AG (carta di tipo normale), 65 μm (spessore)

HP220A (carta a stabilità immagine alta), 65 μm (spessore)

HP220AB-1 (carta a stabilità immagine alta), 75 μm (spessore)

P220AB (carta di tipo normale, biglietti scheda), 85 μm (spessore)

P220AC-1 (carta di tipo normale, biglietti scheda), 95 μm (spessore)

P220AC (carta di tipo normale, biglietti scheda), 105 μm (spessore)

P220AD (carta di tipo normale, biglietti scheda), 130 μm (spessore)

P220AE-1 (carta di tipo normale, biglietti scheda), 150 μm (spessore)

PB670 (carta bicolore: rosso e nero), 75 μm (spessore)

PB770 (carta bicolore: blu e nero), 75 μm (spessore)

Oji Paper Co., Ltd.

PD150R (carta di tipo normale), 75 μm (spessore)

PD160R (carta a stabilità immagine alta), 65/75 μm (spessore)

PD750R (carta bicolore: rosso e nero), 75 μm (spessore)

PD700R (carta bicolore: blu e nero), 75 μm (spessore)

Nippon Paper Industries

TF50KS-E2C (carta di tipo normale), 65 μm (spessore)

Kanzaki Specialty Papers Inc. (KSP)

P320RB (carta bicolore: rosso e nero), 65 μm (spessore)

P320BB (carta bicolore: blu e nero), 65 μm (spessore)

A seconda del tipo e dello spessore della carta, può essere necessario cambiare le impostazioni per la densità di stampa. Per cambiare le impostazioni di densità, usare il comando di impostazione densità di stampa <ESC><RS>'d'n. Fare riferimento al manuale del programmatore separato per dettagli.

Collegamento del trasformatore CA opzionale

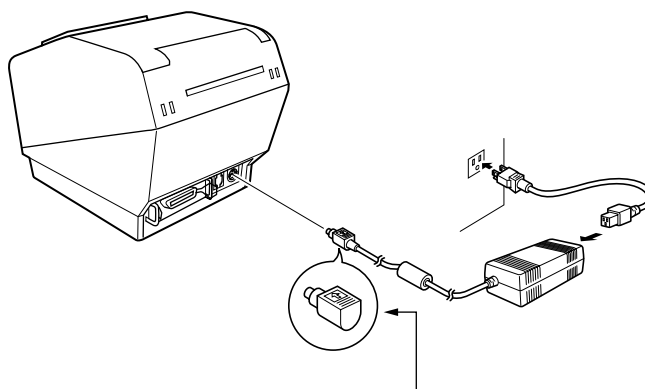
Nota: Prima di collegare/scollegare il trasformatore CA, assicurarsi che la stampante e tutti i dispositivi collegati alla stampante siano spenti. Inoltre assicurarsi che la spina del cavo di alimentazione sia scollegata dalla presa di corrente.

(1) Collegare il trasformatore CA al cavo di alimentazione.

Nota: Usare solo il trasformatore CA e cavo di alimentazione standard.

(2) Collegare il trasformatore CA al connettore sulla stampante.

(3) Collegare la spina del cavo di alimentazione ad una presa di corrente.

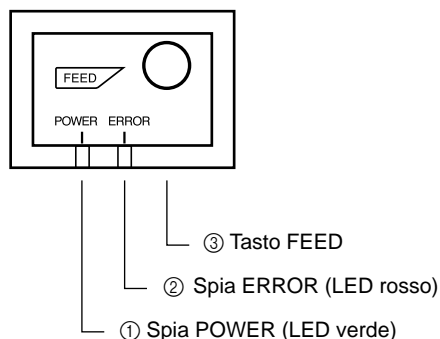


Importante!

Quando si scollega il cavo, afferrare il connettore del cavo per tirare. Sbloccando il fermo è facile scollegare il connettore.

Se si tira il cavo con forza eccessiva si possono causare danni al connettore.

Pannello di controllo



① Spia POWER (LED verde)

Si illumina quando l'unità è accesa.

② Spia ERROR (LED rosso)

Indica vari errori in combinazione con la spia POWER.

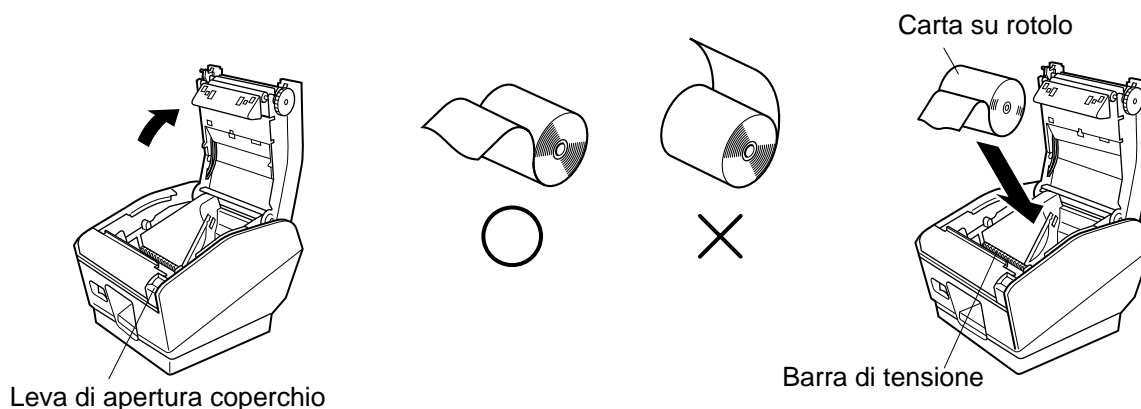
③ Tasto FEED

Premere il tasto FEED per far avanzare la carta su rotolo.

Inserimento del rotolo di carta

Assicurarsi di usare carta su rotolo che corrisponde alle specifiche della stampante.

Quando si usa un rotolo di carta della larghezza di 82,5 mm, rimuovere il supporto del rotolo di carta. Spingere la leva di apertura coperchio e aprire il coperchio stampante.



Osservando l'orientamento del rotolo, inserire il rotolo di carta nel vano e tirare il bordo iniziale della carta verso di sé.

Nota 1: Quando si usa carta di uno spessore che richiede l'uso della barra di tensione ($65 \mu\text{m} \leq \text{spessore carta} < 100 \mu\text{m}$), assicurarsi di non far passare la carta sotto la barra di tensione.

Eliminazione degli inceppamenti della carta

Se si verifica un inceppamento della carta, eliminarlo come descritto di seguito.

(1) Regolare l'interruttore di alimentazione su OFF per spegnere la stampante.

(2) Tirare la leva verso di sé per aprire il coperchio stampante.

(3) Rimuovere la carta inceppata.

Nota: Fare attenzione a non danneggiare la stampante quando si rimuove la carta inceppata. Poiché la testina di stampa in particolare viene danneggiata facilmente, fare attenzione a non toccarla.

(4) Collocare dritto il rotolo di carta e chiudere delicatamente il coperchio stampante.

Nota 1: Assicurarsi che la carta sia ben dritta. Se si chiude il coperchio stampante con la carta storta, si può verificare un inceppamento della carta.

Nota 2: Bloccare il coperchio stampante premendo in basso sui lati. Non tentare di chiuderlo premendo sul centro. Il coperchio potrebbe non bloccarsi correttamente.

(5) Regolare su ON l'interruttore di alimentazione per accendere la stampante. Assicurarsi che la spia ERROR non sia illuminata.

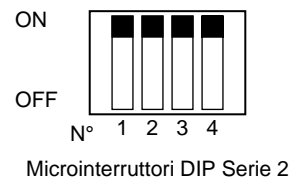
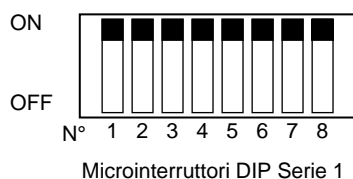
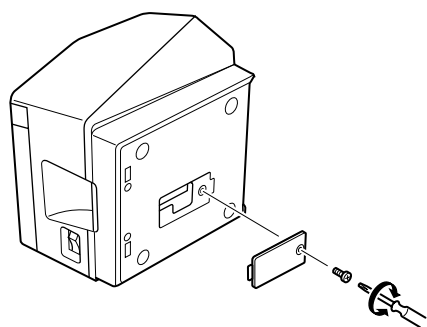
Nota: Mentre la spia ERROR è illuminata, la stampante non accetta alcun comando come il comando di stampa, per cui assicurarsi che il coperchio della stampante sia bloccato correttamente.

Pulizia della testina termica

Per rimuovere la polvere nerastra accumulata sulla superficie della testina di stampa, passarla con alcool isopropilico (IPA)

Nota: La testina termica si danneggia facilmente, per cui pulirla delicatamente con un panno morbido. Fare attenzione a non graffiarla durante la pulizia.

Impostazioni dei microinterruttori DIP - Tipo interfaccia parallela



Microinterruttori DIP Serie 1

Microinterruttore 1-1	Emulazione comando
ON	Modo Star
OFF	Modo ESC/POS

(1) Modo Star

Microinterruttore	Funzione	ON	OFF
1-1	Emulazione comando	Sempre ON	
1-2	Non modificare (deve sempre trovarsi in posizione ON)		
1-3	Non modificare (deve sempre trovarsi in posizione ON)		
1-4	Regolazione sensore	Nulla	Valido
1-5	Segnale di reset contatto #31 (INIT)	Valido	Nulla
1-6	Condizioni di scambio di controllo (condizioni di BUSY)	Offline o buffer di ricezione pieno	Buffer di ricezione pieno
1-7	Funzione automatica di back up di stato	Nulla	Valido
1-8	Non modificare (deve sempre trovarsi in posizione ON)		

(2) Modo ESC/POS

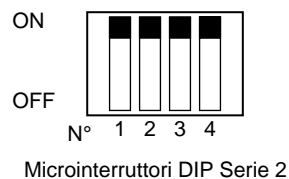
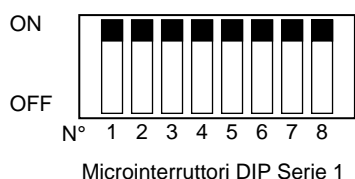
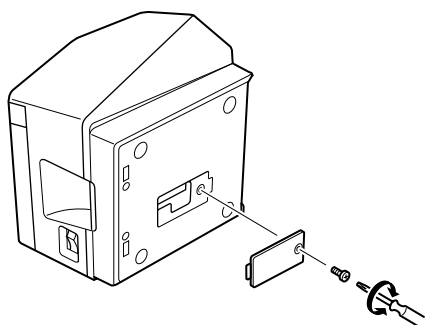
Microinterruttore	Funzione	ON	OFF
1-1	Emulazione comando	Sempre OFF	
1-2	Regolazione grafica	203 DPI	180 DPI
1-3	Non modificare (deve sempre trovarsi in posizione ON)		
1-4	Regolazione sensore	Nulla	Valido
1-5	Segnale di reset contatto #31 (INIT)	Valido	Nulla
1-6	Condizioni di scambio di controllo (condizioni di BUSY)	Offline o buffer di ricezione pieno	Buffer di ricezione pieno
1-7	Funzione automatica di back up di stato	Nulla	Valido
1-8	Non modificare (deve sempre trovarsi in posizione ON)		

Microinterruttori DIP Serie 2

Microinterruttore	Funzione	ON	OFF
2-1	Sempre ON	Deve sempre trovarsi in posizione ON.	
2-2			
2-3			
2-4			

Le impostazioni di fabbrica dei microinterruttori DIP sono tutte ON (attivo).

Impostazioni dei microinterruttori DIP - Tipo interfaccia seriale



Microinterruttori DIP Serie 1

Microinterruttore 1-1	Emulazione comando
ON	Modo Star
OFF	Modo ESC/POS

(1) Modo Star

Microinterruttore	Funzione	ON	OFF
1-1	Emulazione comando	Sempre ON	
1-2	Non modificare (deve sempre trovarsi in posizione ON)		
1-3	Non modificare (deve sempre trovarsi in posizione ON)		
1-4	Regolazione sensore	Nulla	Valido
1-5	Non modificare (deve sempre trovarsi in posizione ON)		
1-6	Condizioni di scambio di controllo (condizioni di BUSY)	Offline o buffer di ricezione pieno	Buffer di ricezione pieno
1-7	Funzione automatica di back up di stato	Nulla	Valido
1-8	Non modificare (deve sempre trovarsi in posizione ON)		

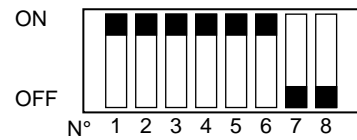
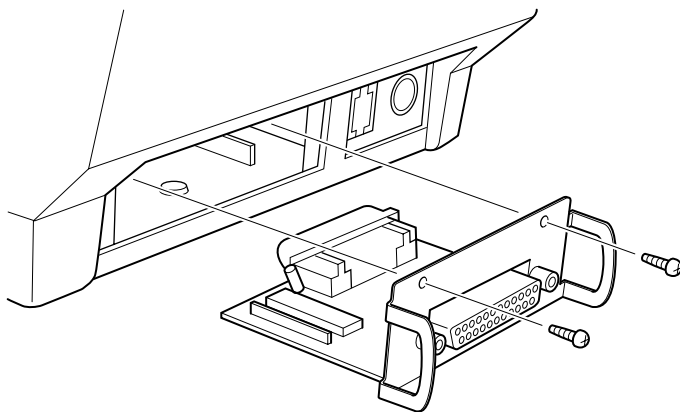
(2) Modo ESC/POS

Microinterruttore	Funzione	ON	OFF
1-1	Emulazione comando	Sempre OFF	
1-2	Regolazione grafica	203 DPI	180 DPI
1-3	Non modificare (deve sempre trovarsi in posizione ON)		
1-4	Regolazione sensore	Nulla	Valido
1-5	Non modificare (deve sempre trovarsi in posizione ON)		
1-6	Condizioni di scambio di controllo (condizioni di BUSY)	Offline o buffer di ricezione pieno	Buffer di ricezione pieno
1-7	Funzione automatica di back up di stato	Nulla	Valido
1-8	Non modificare (deve sempre trovarsi in posizione ON)		

Microinterruttori DIP Serie 2

Microinterruttore	Funzione	ON	OFF
2-1	Sempre ON	Deve sempre trovarsi in posizione ON.	
2-2			
2-3			
2-4			

Le impostazioni di fabbrica dei microinterruttori DIP sono tutte ON (attivo).



Microinterruttori DIP Serie 3

Microinterruttori DIP Serie 3

Microinterruttore	Funzione	ON	OFF
3-1	Velocità di trasmissione	Vedere la tabella sotto	
3-2			
3-3	Lunghezza dato	8 bit	7 bit
3-4	Controllo di parità	Disabilitato	Abilitato
3-5	Parità	Dispari	Pari
3-6	Scambio	di	controllo
3-7	Non modificare (deve sempre trovarsi in posizione OFF)		
3-8			

Velocità di trasmissione	Microinterruttore 3-1	Microinterruttore 3-2
4800BPS	OFF	ON
9600BPS	ON	ON
19200BPS	ON	OFF

Le impostazioni di fabbrica dei microinterruttori DIP sono tutte ON (attivo), ad eccezione dei microinterruttori 7 ed 8.

Caratteristiche tecniche

Metodo di stampa	Stampa termica a righe
Densità punti	203 dpi x 203 dpi (8 punti/mm)
Direzione di stampa	Unidirezionale con avanzamento a frizione
Larghezza di stampa	Massimo 80mm (640 punti)
Caratteri per riga (predefinita)	Font A: 42, Font B: 56
Spaziatura tra i caratteri (predefinita)	0 punti
Dimensione dei caratteri	Font A: 1,5 x 3,0 mm Font B: 1,125 x 3,0 mm
Set di caratteri	Caratteri alfanumerici: 95 Caratteri internazionali: 32 Grafica esterna: pagine da 128 x 40
Velocità di stampa	Massimo 180 mm/sec
Spaziatura tra le righe	3 mm / 4 mm
Struttura dei caratteri	Font A: 12 x 24 Font B: 9 x 24
Interfaccia	RS232C / IEEE1284 / USB / Ethernet
Dimensione buffer di ricezione	8K / 64 byte
MCBF	60 milioni di righe (valore basato sul tasso medio di stampa del 12,5% con carta nella gamma di spessore da 65 µm a 75 µm)
Durata della taglierina	1 milione di tagli (su carta di spessore da 65 a 100 µm) 0,3 milioni di tagli (su carta di spessore da 100 a 150 µm)
Temperatura	Esercizio: da 5 a 45 °C Conservazione: da -20 a 60 °C
Umidità	Esercizio: Dal 10 al 90% RH (non condensante) Conservazione: Dal 10 al 90% RH (non condensante)
Dimensioni	147 x 213 x 148 (L x P x A mm)
Peso	Circa 1,7 kg

Opzioni

- (1) Set per montaggio a parete (WB-T700)
- (2) Set supporto verticale (VS-T700)
- (3) Scheda di interfaccia USB (IFBD-HU03)
- (4) Scheda di interfaccia parallela (IFBD-HC03)
- (5) Scheda di interfaccia seriale RS-232C da 25 contatti (IFBD-HD03)
- (6) Scheda di interfaccia seriale RS-232C da 9 contatti (IFBD-HN03)
- (7) Scheda di interfaccia Ethernet (IFBD-HE03)

Si prega di accedere al seguente URL

http://www.star-micronics.co.jp/service/frame_sp_spr_e.htm

per ottenere gli aggiornamenti del driver e dei programmi di utilità.

IMPRESORA TÉRMICA

SERIE TSP700

MANUAL DEL USUARIO



**Comisión Federal de Comunicaciones
Declaración de interferencias de
radiofrecuencias**

Este equipo se ha probado y se ha encontrado que cumple con las limitaciones de un dispositivo digital de Clase A, con conformidad al Apartado 15 de la normativa de FCC. Estos límites están diseñados para proporcionar una protección razonable contra las interferencias perjudiciales en un entorno comercial. Este equipo genera, utiliza y puede irradiar energía de radiofrecuencia y, si no se instala y usa de acuerdo con el manual de instrucciones, puede provocar interferencias perjudiciales a las comunicaciones de radio. Es probable que la utilización de este equipo en una zona residencial provoque interferencias perjudiciales, en cuyo caso se pedirá al usuario que corrija la interferencia a su propio cargo.

Para cumplir con el Estándar federal de interferencias de ruido, este equipo necesita un cable blindado.

Esta declaración se aplicará sólo a las impresoras comercializadas en los Estados Unidos.

**Departamento Canadiense de Comunicaciones
Declaración de interferencias
de radiofrecuencias**

Este aparato digital no excede los límites de Clase A sobre emisiones de ruido desde un dispositivo digital, tal y como se establece en las Regulaciones de Interferencias de Radio del Departamento Canadiense de Comunicaciones.

Le présent appareil numérique n'émet pas de bruits radioélectriques dépassant les limites applicables aux appareils numériques de la classe A prescrites dans le Règlement sur le brouillage radioélectrique édicté par le ministère des Communications du Canada.

La declaración anterior sólo se aplica a las impresoras comercializadas en Canadá.

CE

Declaración de conformidad del fabricante

Directiva del Consejo de la CE 89/336/CEE del 3 de mayo de 1989

Este producto se ha diseñado y fabricado de acuerdo con los Estándares Internacionales EN 61000-6-3/10.2001 y EN 55024/09.98, según lo estipulado en la Directiva de Compatibilidad Electromagnética de las Comunidades Europeas desde mayo de 1989.

Directiva del Consejo de la CE 73/23/CEE y 93/68/CEE del 22 de julio de 1993

Este producto se ha diseñado y fabricado de acuerdo con los Estándares Internacionales EN 60950, según lo estipulado en la Directiva de Bajo Voltaje de las Comunidades Europeas desde julio de 1993.

La declaración anterior sólo se aplica a las impresoras comercializadas en la Unión Europea.

Reconocimiento de marcas

TSP700: Star Micronics Co., Ltd.

ESC/POS: Seiko Epson Corporation

Aviso

- Reservados todos los derechos. Se prohíbe la reproducción total o parcial de este manual, por cualquier medio, sin el permiso expreso de STAR.
- El contenido de este manual está sujeto a cambios sin previo aviso.
- A pesar de los esfuerzos realizados por asegurar la precisión del contenido de este manual en el momento de la impresión, podrían detectarse errores. Si este es el caso, STAR apreciaría enormemente le fueran comunicados.
- Pese a todo, STAR no se hace responsable de los errores que puedan aparecer en este manual.

© Copyright 2003 Star Micronics Co., LTD.

Información de seguridad

Importante

Antes de realizar conexiones, asegúrese de que la impresora está apagada y desconectada de la toma de CA, y de que el ordenador está apagado.

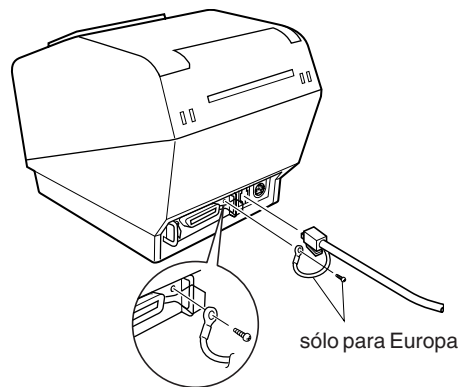
Importante

No conecte una línea de teléfono al conector de la unidad para periféricos. Si lo hace, podría dañar la impresora.

Además, por motivos de seguridad, no conecte cables al conector de la unidad externa si existe la probabilidad de que conserve voltaje residual.

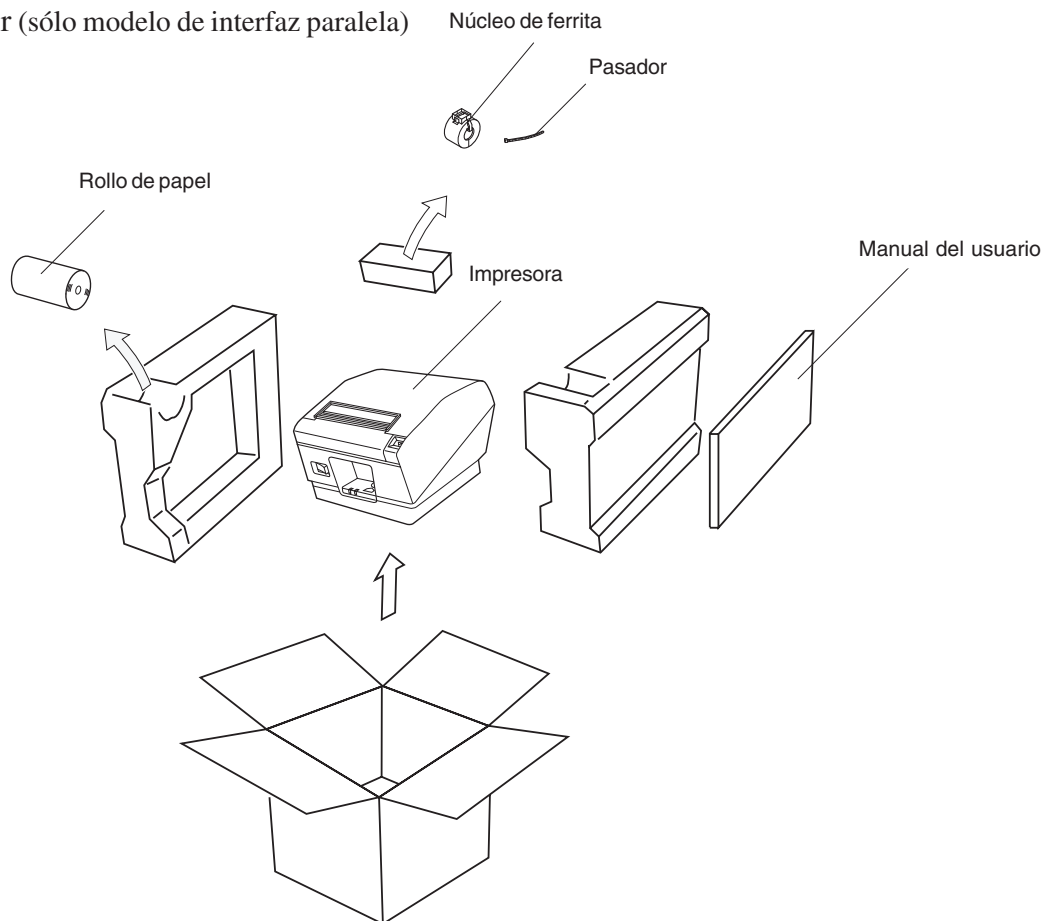
Conexión del cable de masa. (sólo para Europa)

Extraiga el tornillo que se muestra en la siguiente figura y, a continuación, asegure el terminal del cable de masa en el lugar de donde sacó el tornillo y apriete éste.



Desembalaje

- ✓ Impresora
- ✓ Manual del usuario
- ✓ Rollo de papel
- ✓ Núcleo de ferrita (sólo modelo de interfaz paralela)
- ✓ Pasador (sólo modelo de interfaz paralela)



Elección de una ubicación para la impresora

Antes de desembalar la impresora, dedique unos minutos a pensar dónde la va a utilizar. Cuando lo haga, recuerde los siguientes puntos:

- ✓ Elija una superficie plana y firme en la que la impresora no esté expuesta a vibraciones.
- ✓ La toma de alimentación a la que conectará la impresora debe estar cerca y libre de obstrucciones.
- ✓ Asegúrese de que la impresora está lo bastante cerca del ordenador host para poder conectar los dos.
- ✓ Asegúrese de que la impresora no queda expuesta a la luz solar directa.
- ✓ Asegúrese de que la impresora está bien alejada de radiadores y otras fuentes de calor extremo.
- ✓ Asegúrese de que el área circundante está limpia, seca y sin polvo.
- ✓ Asegúrese de que la impresora está conectada a una toma de alimentación que funciona. No debe estar en el mismo circuito eléctrico que copiadoras, frigoríficos y otros aparatos que puedan provocar subidas de tensión.
- ✓ Asegúrese de que la habitación en la que va a utilizar la impresora no está demasiado húmeda.

Piezas consumibles

Cuando las piezas consumibles se agoten, utilice las que se especifican en la siguiente tabla. Asegúrese de utilizar el adaptador de CA especificado en la tabla.

El uso de piezas consumibles o un adaptador de CA que no sean los especificados en la tabla puede producir daños a la impresora, fuego o descargas eléctricas.

(1) Especificación del rollo de papel

Papel térmico

Grosor: 65~150 μm

Ancho: 79,5 \pm 0,5 mm o 82,5 \pm 0,5 mm o 57,5 \pm 0,5 mm

Diámetro exterior del rollo: ϕ 100 mm o inferior

Diámetro del núcleo exterior/interior

Grosor del papel	Núcleo exterior	Núcleo interior
65~75 μm	ϕ 18 \pm 1 mm	ϕ 12 \pm 1 mm
65~75 μm	ϕ 32 \pm 1 mm	ϕ 25,4 mm
75~150 μm	ϕ 32 \pm 1 mm	ϕ 25,4 mm

Superficie impresa: Borde exterior del rollo

Tratamiento del extremo inferior: No utilice cola ni pegamento para fijar el rollo de papel o su núcleo.

No doble el extremo inferior del papel.

(2) Papel recomendado

Mitsubishi Paper Mills Limited

P220AG (papel tipo normal), 65 μm (grosor)

HP220A (papel de alta estabilidad de imagen), 65 μm (grosor)

HP220AB-1 (papel de alta estabilidad de imagen), 75 μm (grosor)

P220AB (papel tipo normal, cartulina, ticket), 85 μm (grosor)

P220AC-1 (papel tipo normal, cartulina, ticket), 95 μm (grosor)

P220AC (papel tipo normal, cartulina, ticket), 105 μm (grosor)

P220AD (papel tipo normal, cartulina, ticket), 130 μm (grosor)

P220AE-1 (papel tipo normal, cartulina, ticket), 150 μm (grosor)

PB670 (papel de 2 colores: rojo y negro), 75 μm (grosor)

PB770 (papel de 2 colores: azul y negro), 75 μm (grosor)

Oji Paper Co., Ltd.

PD150R (papel tipo normal), 75 μm (grosor)

PD160R (papel de alta estabilidad de imagen), 65/75 μm (grosor)

PD750R (papel de 2 colores: rojo y negro), 75 μm (grosor)

PD700R (papel de 2 colores: azul y negro), 75 μm (grosor)

Nippon Paper Industries

TF50KS-E2C (papel tipo normal), 65 μm (grosor)

Kanzaki Specialty Papers Inc. (KSP)

P320RB (papel de 2 colores: rojo y negro), 65 μm (grosor)

P320BB (papel de 2 colores: azul y negro), 65 μm (grosor)

Según el tipo y grosor del papel, puede ser necesario modificar la configuración del grado de oscuridad de la impresión. Para ello, utilice el comando <ESC><RS> 'd' n. Para obtener más detalles, consulte el manual del programador que viene aparte.

Conexión del adaptador de CA opcional

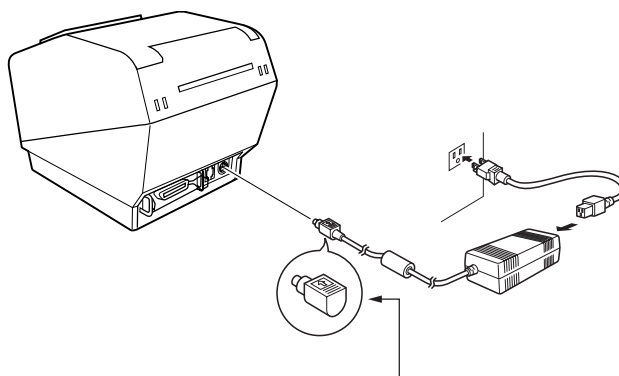
Nota: Antes de conectar o desconectar el adaptador de CA, compruebe que la alimentación de la impresora y de todos los dispositivos conectados a ella está desactivada. Asegúrese también de que el enchufe del cable de alimentación está desconectado de la toma de corriente de CA.

(1) Conecte el adaptador de CA al cable de alimentación.

Nota: Utilice sólo el adaptador de CA y el cable de alimentación estándar.

(2) Conecte el adaptador de CA al conector de la impresora.

(3) Inserte el enchufe del cable de alimentación en una toma de corriente de CA.

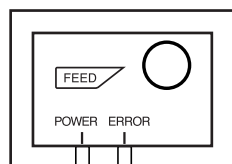


Importante

Al desconectar el cable, agárrelo por el conector para sacarlo. Al soltar el bloqueo resulta más fácil desconectar el conector.

No tire excesivamente del cable, ya que podría dañar el conector.

Panel de control

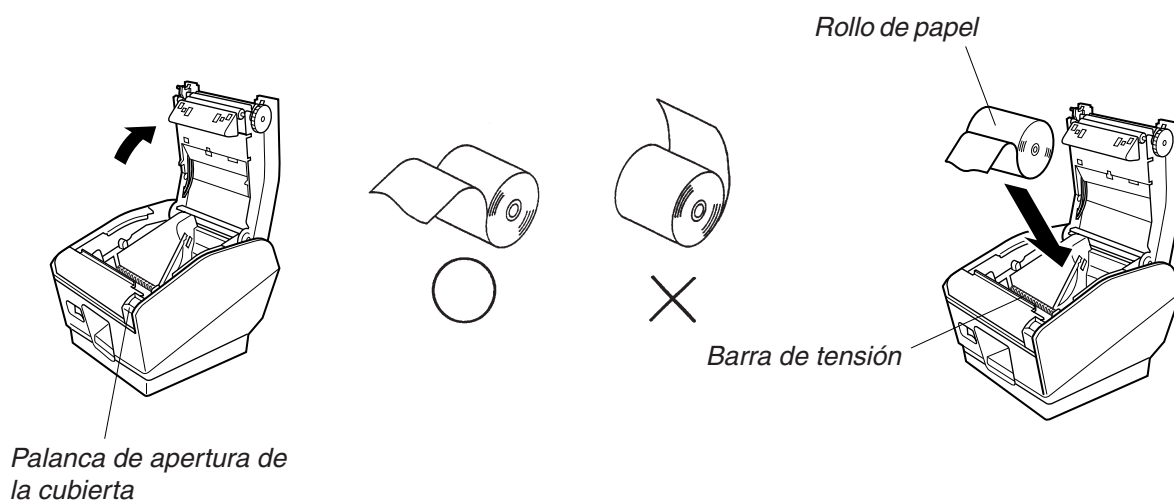


- 3 Botón de alimentación (FEED)
- 2 Luz de ERROR (LED rojo)
- 1 Luz de encendido (POWER) (LED verde)

- 1 Luz de encendido (POWER) (LED verde)
Se enciende cuando la alimentación está activada
- 2 Luz de ERROR (LED rojo)
Indica varios errores en combinación con la luz de encendido
- 3 Botón de alimentación (FEED)
Pulse el botón de alimentación para cargar el rollo de papel.

Carga del rollo de papel

Asegúrese de utilizar el rollo de papel que se ajusta a la especificación de la impresora. Si utiliza un rollo de papel con una anchura de 82,5 mm, extraiga el portarrollos. Empuje la palanca de apertura de la cubierta y abra la cubierta de la impresora.



Prestando atención a la dirección del rollo, introduzca el rollo de papel en el hueco y tire del borde delantero del papel hacia usted.

Nota 1: En caso de utilizarse papel con un grosor que requiere el uso de la barra de tensión (grosor de papel de $65\ \mu\text{m} < 100\ \mu\text{m}$), asegúrese de no pasar el papel por debajo de ella.

Eliminación de atascos de papel

Si se produce un atasco de papel, haga lo siguiente para eliminarlo.

- (1) Establezca el interruptor de encendido a la posición desactivado para desactivar la alimentación de la impresora.
- (2) Tire de la palanca hacia usted para abrir la cubierta de la impresora.
- (3) Elimine el papel atascado.

Nota: Al retirar el papel atascado, tenga cuidado de no dañar la impresora.

Ya que, en concreto, es fácil dañar el cabezal térmico, procure no tocarlo.

- (4) Coloque recto el rollo de papel y cierre la cubierta de la impresora suavemente.

Nota 1: Asegúrese de que el papel se coloca recto. Si la cubierta de la impresora se cierra con el papel torcido, puede producirse un atasco de papel.

Nota 2: Cierre la cubierta de la impresora presionando hacia abajo por los lados. No intente hacerlo por la parte central. La cubierta podría no cerrarse adecuadamente.

- (5) Establezca el interruptor de encendido a la posición de activado para conectar la alimentación de la impresora. Asegúrese de que el LED de ERROR no se enciende.

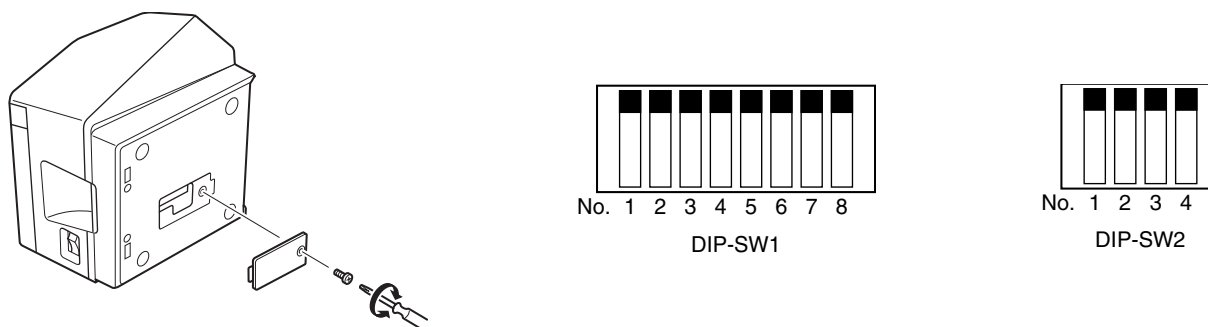
Nota: Mientras el LED de ERROR está encendido, la impresora no aceptará ningún comando, por ejemplo el comando de impresión, de modo que asegúrese de que la cubierta de la impresora está correctamente cerrada.

Limpieza del cabezal térmico

Para quitar el polvo negro que se acumula sobre la superficie del cabezal térmico, límpielo con alcohol isopropílico (IPA).

Nota: El cabezal térmico se puede dañar fácilmente; para evitarlo, límpielo con cuidado con un paño suave. Tenga mucho cuidado de no arañarlo.

Configuración de los interruptores DIP: Tipo de interfaz paralela



Banco 1 de interruptores DIP

Interruptor 1-1	Emulación de comando
ON	Modo Star
OFF	Modo ESC/POS

(1) Modo Star

Interruptor	Función	ON	OFF
1-1	Emulación de comando	Siempre ON	
1-2	No se debe cambiar (se debe establecer en On)		
1-3	No se debe cambiar (se debe establecer en On)		
1-4	Ajuste del sensor	No válido	Válido
1-5	Patilla 31 señal de restablecimiento (INIT)	Válido	No válido
1-6	Condiciones de sincronización inicial (condiciones para OCUPADO)	Sin conexión o búfer lleno	Búfer de recepción lleno
1-7	Función automática de retroceso de estado	No válido	Válido
1-8	No se debe cambiar (se debe establecer en On)		

(2) Modo ESC/POS

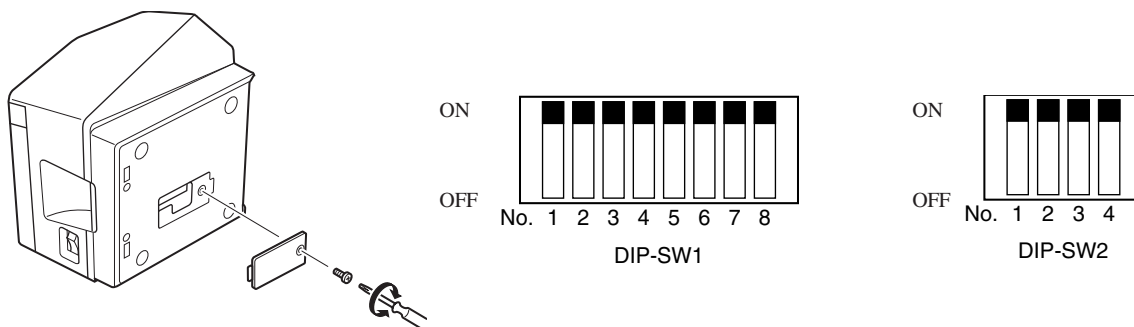
Interruptor	Función	ON	OFF
1-1	Emulación de comando	Siempre OFF	
1-2	Ajuste gráfico	203 DPI	180 DPI
1-3	No se debe cambiar (se debe establecer en On)		
1-4	Ajuste del sensor	No válido	Válido
1-5	Patilla 31 señal de restablecimiento (INIT)	Válido	No válido
1-6	Condiciones de sincronización inicial (condiciones para OCUPADO)	Sin conexión o búfer lleno	Búfer de recepción lleno
1-7	Función automática de retroceso de estado	No válido	Válido
1-8	No se debe cambiar (se debe establecer en On)		

INT-DIP 2

Interruptor	Función	ON	OFF
2-1	Siempre ON	Se debe establecer en On	
2-2			
2-3			
2-4			

La configuración de fábrica de los interruptores DIP es todos activados (ON).

Configuración de los interruptores DIP: Tipo de interfaz serie



INT-DIP 1

Interruptor 1-1	Emulación de comando
ON	Modo Star
OFF	Modo ESC/POS

(1) Modo Star

Interruptor	Función	ON	OFF
1-1	Emulación de comando	Siempre ON	
1-2	No se debe cambiar (se debe establecer en On)		
1-3	No se debe cambiar (se debe establecer en On)		
1-4	Ajuste del sensor	No válido	Válido
1-5	No se debe cambiar (se debe establecer en On)		
1-6	Condiciones de sincronización inicial (condiciones para OCUPADO)	Sin conexión o búfer de recepción lleno	Búfer de recepción lleno
1-7	Función automática de retroceso de estado	No válido	Válido
1-8	No se debe cambiar (se debe establecer en On)		

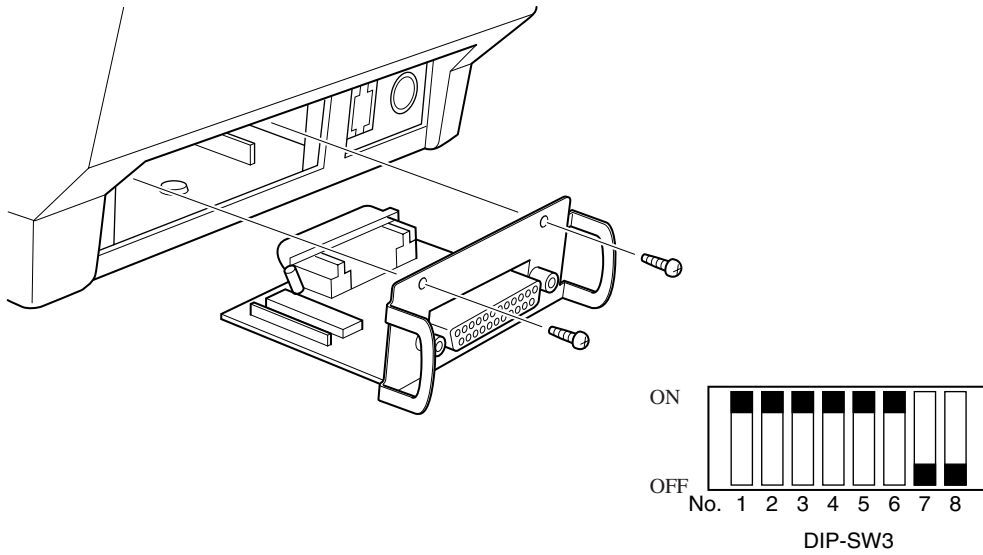
(2) Modo ESC/POS

Interruptor	Función	ON	OFF
1-1	Emulación de comando	Siempre OFF	
1-2	Ajuste gráfico	203 DPI	180 DPI
1-3	No se debe cambiar (se debe establecer en On)		
1-4	Ajuste del sensor	No válido	Válido
1-5	No se debe cambiar (se debe establecer en On)		
1-6	Condiciones de sincronización inicial (condiciones para OCUPADO)	Sin conexión o búfer de recepción lleno	Búfer de recepción lleno
1-7	Función automática de retroceso de estado	No válido	Válido
1-8	No se debe cambiar (se debe establecer en On)		

INT-DIP 2

Interruptor	Función	ON	OFF
2-1	Siempre ON	Se debe establecer en On	
2-2			
2-3			
2-4			

La configuración de fábrica de los interruptores DIP es todos activados (ON).



INT-DIP 3

Interruptor	Función	ON	OFF
3-1	Velocidad en baudios	Véase la siguiente tabla	
3-2			
3-3	Longitud de datos	8 bits	7 bits
3-4	Comprobación de paridad	Desactivada	Activada
3-5	Paridad	Impar	Par
3-6	Entrada en comunicación	DTR/DSR	XON/XOFF
3-7	No se debe cambiar (debe establecer en Off)	—	—
3-8			

Velocidad en baudios	Interruptor 3-1	Interruptor 3-2
4800 BPS	OFF	ON
9600 BPS	ON	ON
19200 BPS	ON	OFF

La configuración de fábrica de los interruptores DIP es todos activados (ON), excepto los interruptores 7 y 8.

Especificaciones

Método de impresión	Impresión de línea térmica
Densidad de puntos	203 ppp x 203 ppp (8 puntos/mm)
Dirección de impresión	Unidireccional con alimentación a fricción
Anchura de impresión	80 mm (640 puntos) máx.
Carácter por línea (predeterminado)	Fuente A: 42, Fuente B: 56
Espacio entre caracteres (predeterminado)	0 puntos
Tamaño de carácter	Fuente A: 1,5 x 3,0 mm Fuente B: 1,125 x 3,0 mm
Juego de caracteres	Caracteres alfanuméricos: 95 Caracteres internacionales: 32 Gráficos externos: páginas de 128 x 40
Velocidad de impresión	180 mm/seg. máx.
Espacio entre líneas	3mm / 4mm
Estructura de caracteres	Fuente A: 12 x 24 Fuente B: 9 x 24
Interfaz	RS232C / IEEE1284 / USB / Ethernet
Tamaño de búfer de recepción	8K / 64 bytes
MCBF	60 millones de líneas (según la velocidad de impresión media de 12,5% con grosor de papel en el rango 65 μ m a 75 μ m)
Duración de cortadora	1 millón (grosor de papel de 65-100 μ m) 0,3 millones de cortes (grosor de papel de 100 a 150 μ m)
Temperatura	Funcionamiento: 5 a 45 °C Almacenamiento: -20 a 60 °C
Humedad	Funcionamiento: Humedad relativa de 10 a 90% (sin condensación) Almacenamiento: Humedad relativa de 10 a 90% (sin condensación)
Dimensiones	147x213x148(AnchoxProfundoxAltoenmm)
Peso	1,7 Kg aprox.

Opciones

- (1) Juego de montaje mural (WB-T700)
- (2) Juego de soporte vertical (VS-T700)
- (3) Unidad de placa de interfaz USB (IFBD-HU03)
- (4) Unidad de placa de interfaz paralela (IFBD-HC03)
- (5) Unidad de placa de interfaz RS-232C de 25 patillas (IFBD-HD03)
- (6) Unidad de placa de interfaz RS-232C de 9 patillas (IFBD-HN03)
- (7) Unidad de placa de interfaz Ethernet (IFBD-HE03)

Para obtener los controladores y utilidades más recientes, visite la siguiente dirección URL http://www.star-micronics.co.jp/service/frame_sp_spr_e.htm.

IMPRESSORA TÉRMICA
TSP700 SERIES
MANUAL DO UTILIZADOR



**FCC (“Federal Communications Commission”)
Interferência na frequência de rádio
Declaração**

Este equipamento foi testado e concluiu-se que está em conformidade com os limites para um dispositivo digital de classe A, de acordo com a secção 15 das normas da FCC. Estes limites foram concebidos para disponibilizar uma protecção razoável contra as interferências perigosas quando o equipamento é utilizado num ambiente comercial. Este equipamento gera, utiliza e pode irradiar energia de frequência rádio e se não for instalado e utilizado de acordo com o manual de instruções pode provocar interferências perigosas nas comunicações via rádio. A utilização deste equipamento numa área residencial poderá provocar interferências perigosas. Se tal for o caso, o utilizador terá de custear a correcção das interferências.

Para estar em conformidade com a norma “Federal Noise Interference”, este equipamento necessita de utilizar um cabo blindado.

Esta declaração só se aplica às impressoras comercializadas nos E.U.A..

**Declaração do
Departamento Canadano de Comunicações
Normas relativas às interferências via rádio**

Este aparelho digital não excede os limites da classe A para as emissões de ruído do rádio provenientes de aparelhos digitais definidos nas normas relativas a interferências provenientes do rádio emitidas pelo Departamento Canadano de Comunicações.

Le présent appareil numérique n’émet pas de bruits radioélectriques dépassant les limites applicables aux appareils numériques de la classe A prescrites dans le Règlement sur le brouillage radioélectrique édicté par le ministère des Communications du Canada.

A declaração acima aplica-se apenas a impressoras comercializadas no Canadá.

**CE
Declaração de conformidade do fabricante**

Directiva do Conselho da CE 89/336/EEC, de 3 de Maio de 1989

Este produto foi concebido e fabricado de acordo com as normas internacionais EN 61000-6-3/10.2001 e EN 55024/09.98, no seguimento das provisões da directiva relativa à compatibilidade electromagnética da Comunidade Europeia, emitida em Maio de 1989.

Directiva do Conselho da UE 73/23/EEC e 93/68/EEC, emitida no dia 22 de Julho de 1993

Este produto foi concebido e fabricado de acordo com as normas internacionais EN 60950, no seguimento das provisões da directiva relativa a baixas tensões da Comunidade Europeia, emitida em Julho de 1993.

A declaração acima aplica-se apenas a impressoras comercializadas nos E.U.A..

Reconhecimentos das marcas comerciais

TSP700: Star Micronics Co., Ltd.

ESC/POS: Seiko Epson Corporation

Aviso

- Todos os direitos reservados. Não é permitida a reprodução de qualquer parte deste manual sob qualquer forma, sem a permissão expressa da STAR.
- O conteúdo deste manual está sujeito a alterações sem aviso prévio.
- Foram realizados todos os esforços para assegurar a exactidão do conteúdo deste manual quando foi impresso. Contudo, se forem detectados alguns erros, a STAR agradecia imenso que fosse informada desses erros.
- Desta forma, a STAR não assume qualquer tipo de responsabilidade pelos erros existentes manual.

© Copyright 2003 Star Micronics Co., LTD.

Informações relativas à segurança

Importante!

Certifique-se de que a impressora está desactivada e desligada da tomada AC e de que o computador está desligado antes de realizar as ligações.

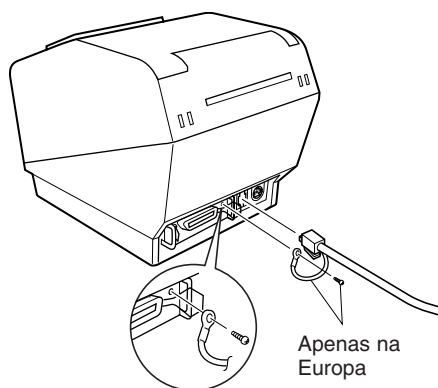
Importante!

Não ligue uma linha telefónica ao conector da unidade periférica. Se o fizer, pode danificar a impressora.

Além disso, por questões de segurança, não ligue nenhum fio ao conector da unidade externa, se houver a hipótese de transportar tensão periférica.

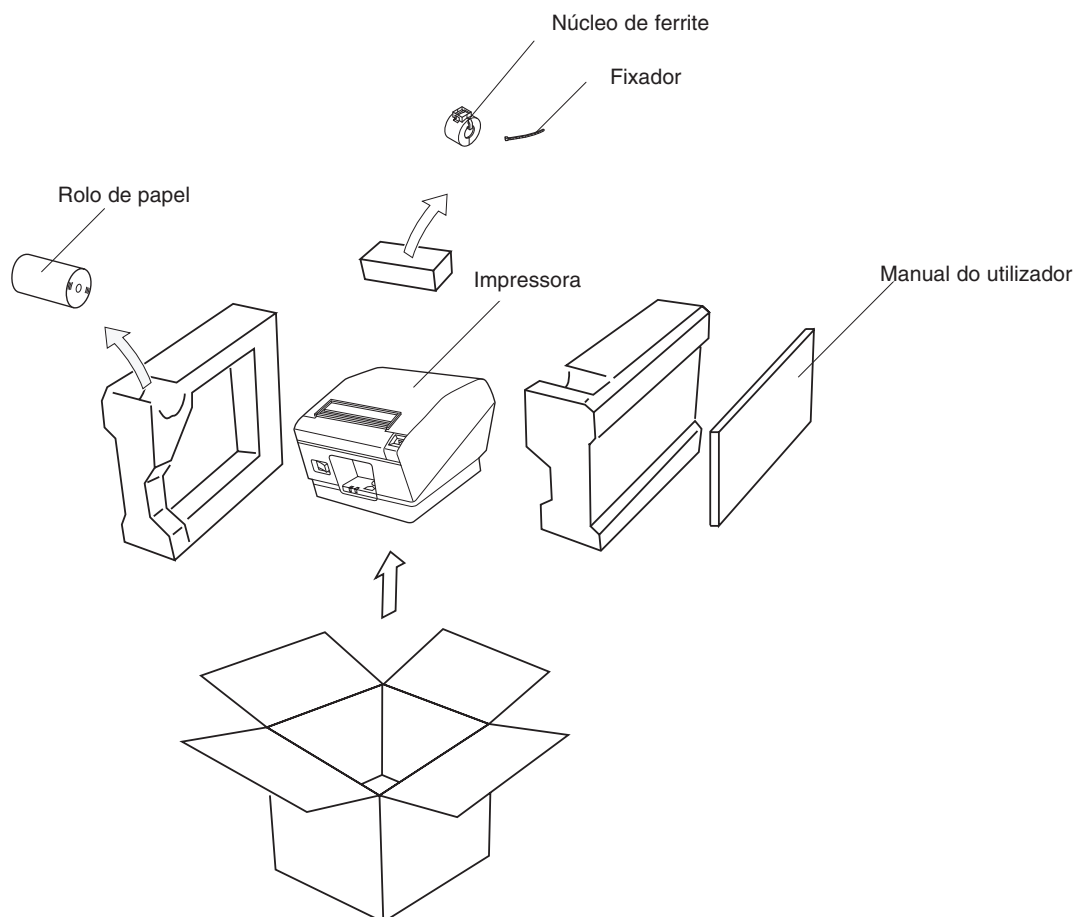
Ligação do fio terra. (Apenas na Europa)

Retire o parafuso mostrado na figura abaixo e, de seguida, aperte o terminal do fio terra ao local onde o parafuso foi removido e aperte o parafuso.



Desempacotamento

- ✓ Impressora
- ✓ Manual do utilizador
- ✓ Rolo de papel
- ✓ Núcleo de ferrite (apenas no modelo com interface paralela)
- ✓ Fixador (apenas no modelo com interface paralela)



Escolha um local para colocar a impressora

Antes de desempacotar a impressora, demore alguns minutos a pensar onde planeia utilizá-la. Lembre-se dos seguintes pontos quando pensar nisso:

- ✓ Escolha uma superfície firme e plana onde a impressora não seja exposta a vibrações.
- ✓ A tomada que planeia ligar à corrente deverá estar perto e desobstruída.
- ✓ Certifique-se de que a impressora está suficientemente perto do computador anfitrião para ligar os dois dispositivos.
- ✓ Certifique-se de que a impressora não está exposta à luz solar directa.
- ✓ Certifique-se de que a impressora está suficientemente afastada de aquecedores e de outras fontes de calor extremo.
- ✓ Certifique-se de que a área circundante está limpa, seca e sem pó.
- ✓ Certifique-se de que a impressora está ligada a uma tomada fidedigna. A tomada não pode estar instalada no mesmo circuito eléctrico do que as fotocopiadoras, refrigeradores ou outras aplicações que provoquem picos de corrente.
- ✓ Certifique-se de que a sala onde está a utilizar a impressora não é demasiado húmida.

Itens consumíveis

Quando os itens consumíveis acabarem, utilize os itens especificados na tabela abaixo. Certifique-se de que é utilizado o transformador AC especificado na tabela.

A utilização de itens consumíveis ou de um transformador AC que não esteja especificado na tabela poderá danificar a impressora, provocar um incêndio ou um choque elétrico.

(1) Especificações do rolo de papel

Papel térmico

Espessura: entre 65 e 150 μm

Largura: entre 79,5 \pm 0,5 mm, 82,5 \pm 0,5 mm ou 57,5 \pm 0,5 mm

Diâmetro do rolo exterior: ϕ 100 mm ou menos

Diâmetro externo/interno do núcleo

Espessura do papel	Núcleo exterior	Núcleo interior
---------------------------	------------------------	------------------------

Entre 65 e 75 μm	ϕ 18 \pm 1 mm	ϕ 12 \pm 1 mm
-----------------------------	----------------------	----------------------

Entre 65 e 75 μm	ϕ 32 \pm 1 mm	ϕ 25,4 mm
-----------------------------	----------------------	----------------

Entre 75 e 150 μm	ϕ 32 \pm 1 mm	ϕ 25,4 mm
------------------------------	----------------------	----------------

Superfície impressa: Extremidade exterior do rolo

Manuseamento da extremidade: Não utilize pasta ou cola para fixar o rolo de papel ao núcleo.

Não dobre a extremidade do papel.

(2) Papel recomendado

Mitsubishi Paper Mills Limited

P220AG (papel do tipo normal), com 65 μm (espessura)

HP220A (papel com uma elevada estabilidade da imagem), com 65 μm (espessura)

HP220AB-1 (papel com elevada estabilidade da imagem), com 75 μm (espessura)

P220AB (papel do tipo normal, cartão, bilhete), com 85 μm (espessura)

P220AC-1 (papel do tipo normal, cartão, bilhete), com 95 μm (espessura)

P220AC (papel do tipo normal, cartão, bilhete), com 105 μm (espessura)

P220AD (papel do tipo normal, cartão, bilhete), com 130 μm (espessura)

P220AE-1 (papel do tipo normal, cartão, bilhete), com 150 μm (espessura)

PB670 (2 cores de papel: vermelho e preto), com 75 μm (espessura)

PB770 (2 cores de papel: azul e preto), com 75 μm (espessura)

Oji Paper Co., Ltd.

PD150R (papel do tipo normal), com 75 μm (espessura)

PD160R (papel com elevada estabilidade da imagem), com 65/75 μm (espessura)

PD750R (2 cores de papel: vermelho e preto), com 75 μm (espessura)

PD750R (2 cores de papel: azul e preto), com 75 μm (espessura)

Nippon Paper Industries

TF50KS-E2C (papel do tipo normal), com 65 μm (espessura)

Kanzaki Specialty Papers Inc. (KSP)

P320RB (2 cores de papel: vermelho e preto), com 65 μm (espessura)

P320BB (2 cores de papel: azul e preto), com 65 μm (espessura)

Dependendo do tipo e espessura do papel, poderá ser necessário alterar as definições para o sombreamento da impressão. Para alterar as definições de sombreamento, utilize o comando das definições de sombreamento da impressão <ESC><RS> 'd' n. Para mais informações, consulte o manual independente do programador.

Ligação do transformador AC opcional

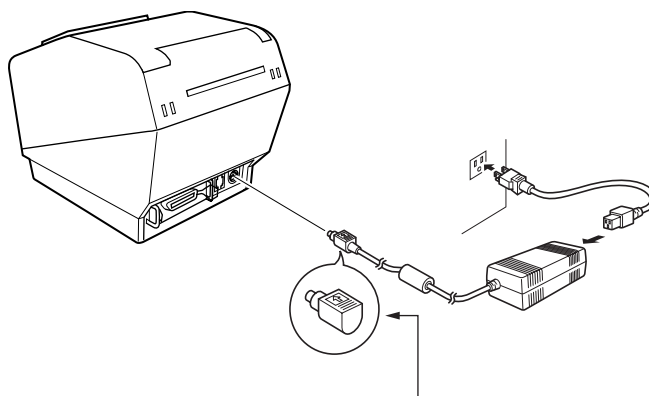
Nota: Antes de ligar/desligar o transformador AC, certifique-se de que a impressora e todos os dispositivos ligados à impressora estão desligados. Além disso, certifique-se de que a ficha do cabo de alimentação está desligada da tomada AC.

(1) Ligue o transformador AC ao cabo de alimentação.

Nota: Utilize apenas o transformador AC e o cabo de alimentação standard.

(2) Ligue o transformador AC ao conector existente na impressora.

(3) Introduza a ficha do cabo de alimentação na tomada AC.

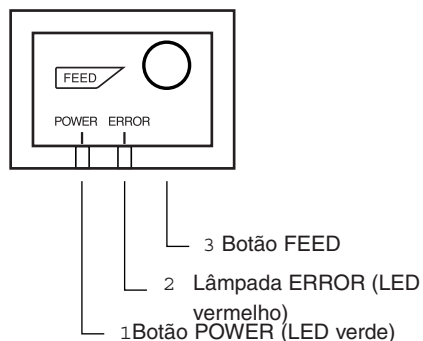


Importante!

Quando desligar o cabo, segure na ficha do cabo para a retirar da tomada. Se desengatar o bloqueador faz com que seja mais fácil desligar a ficha da tomada.

Se puxar demasiado o cabo, pode danificar a ficha.

Painel de controlo



1 Lâmpada POWER (LED verde)

Acende quando o dispositivo está LIGADO

2 Lâmpada ERROR (LED vermelho)

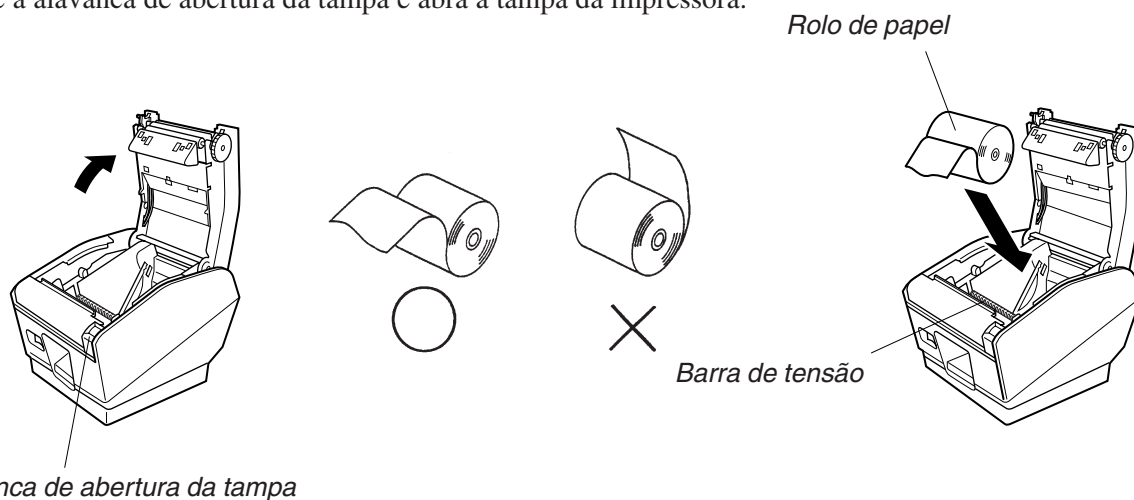
Indica diversos erros em combinação com a lâmpada POWER

3 Botão FEED

Prima o botão FEED para introduzir papel do rolo.

Introdução do rolo de papel

Certifique-se de que utiliza um rolo de papel que coincida com as especificações da impressora. Quando utilizar um rolo de papel com uma largura de 82,5 mm, retire o fixador do rolo de papel. Desloque a alavanca de abertura da tampa e abra a tampa da impressora.



Enquanto observa a direcção do rolo, coloque o rolo de papel no orifício e puxe a extremidade do papel na sua direcção.

Nota 1: Quando utilizar papel com uma espessura que requer a utilização de uma barra de tensão (65 μm espessura do papel <100 μm), não passe o papel por baixo da barra de tensão.

Retirar papel encravado

Se o papel ficar encravado, proceda como é explicado abaixo.

- (1) Coloque o interruptor de alimentação na posição “off” (desligado) para desligar a impressora.
- (2) Desloque a alavanca na sua direcção para abrir a tampa da impressora.
- (3) Retire o papel encravado.

Nota: Tenha cuidado para não danificar a impressora quando remover o papel encravado. Como é fácil danificar a cabeça térmica em particular, tenha cuidado para não tocar nela.

- (4) Coloque o rolo de papel direito e cuidadosamente junto da tampa da impressora.

Nota 1: Certifique-se de que o papel é colocado direito. Se a tampa da impressora estiver fechada com o papel torto, pode ocorrer um encravamento do papel.

Nota 2: Para bloquear a tampa da impressora, prima ambos os lados. Não tente fechar a tampa da impressora pressionando a parte central: porque a tampa da impressora pode não bloquear correctamente.

- (5) Coloque o interruptor de alimentação na posição “on” (ligado) para ligar a impressora. Certifique-se de que o LED ERROR não está aceso.

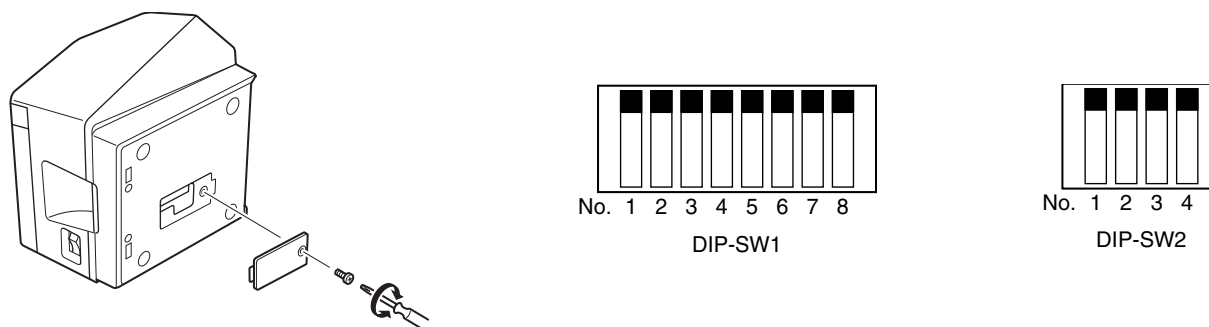
Nota: Enquanto o LED ERROR estiver aceso, a impressora não aceita quaisquer comandos, como por exemplo o comando da impressão. Desta forma, certifique-se de que a tampa da impressora está correctamente bloqueada.

Limpeza da cabeça térmica

Para remover o pó preto acumulado na superfície da cabeça térmica, limpe-a com álcool isopropílico (IPA).

Nota: A cabeça térmica é fácil de danificar. Desta forma, limpe-a suavemente com um pano macio. Quando limpar a cabeça térmica, tenha cuidado para não a riscar.

Definições do interruptor DIP – tipo de interface paralelo



Banco 1 do interruptor-DIP

Interruptor 1-1	Emulação do comando
ON	Modo Star
OFF	Modo ESC/POS

(1) Modo Star

Interruptor	Função	ON	OFF
1-1	Emulação do comando	Sempre LIGADO	
1-2	Não deve ser alterado (deve estar definido para "on" (ligado))		
1-3	Não deve ser alterado (deve estar definido para "on" (ligado))		
1-4	Ajuste do sensor	Inválido	Válido
1-5	Pino #31 (INIT) sinal de reposição	Válido	Inválido
1-6	Ligação entre a impressora e o computador	Offline ou a memória	A memória intermédia
	(condições para OCUPADO)	intermédia está cheia	está cheia
1-7	Função de reposição do estado automático	Inválido	Válido
1-8	Não deve ser alterado (deve estar definido para "on" (ligado))		

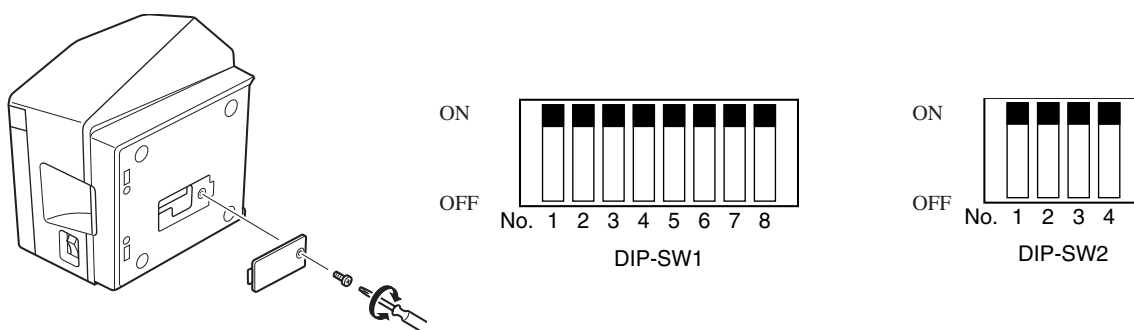
(2) Modo ESC/POS

Interruptor	Função	ON	OFF
1-1	Emulação do comando	Sempre LIGADO	
1-2	Ajuste gráfico	203 DPI	180 DPI
1-3	Não deve ser alterado (deve estar definido para "on" (ligado))		
1-4	Ajuste do sensor	Inválido	Válido
1-5	Pino #31 (INIT) sinal de reinício	Válido	Inválido
1-6	Ligação entre a impressora e o computador	Offline ou a memória	A memória intermédia
	(condições para OCUPADO)	intermédia está cheia	está cheia
1-7	Função de reposição do estado automático	Inválido	Válido
1-8	Não deve ser alterado (deve estar definido para "on" (ligado))		

Interruptor	Função	ON	OFF
2-1	Sempre LIGADO	Deve ser definido para a posição "on" (ligado)	
2-2			
2-3			
2-4			

As definições do fabricante do interruptor DIP estão todas activas.

Definições do interruptor DIP – tipo de interface série



DIP-SW 1

Interruptor 1-1	Emulação do comando
ON	Modo Star
OFF	Modo ESC/POS

(1) Modo Star

Interruptor	Função	ON	OFF
1-1	Emulação do comando	Sempre LIGADO	
1-2	Não deve ser alterado (deve estar definido para “on” (ligado))		
1-3	Não deve ser alterado (deve estar definido para “on” (ligado))		
1-4	Ajuste do sensor	Inválido	Válido
1-5	Não deve ser alterado (deve estar definido para “on” (ligado))		
1-6	Ligação entre a impressora e o computador	Offline ou a memória	A memória intermédia
	(condições para OCUPADO)	intermédia está cheia	está cheia
1-7	Função de reposição do estado automático	Inválido	Válido
1-8	Não deve ser alterado (deve estar definido para “on” (ligado))		

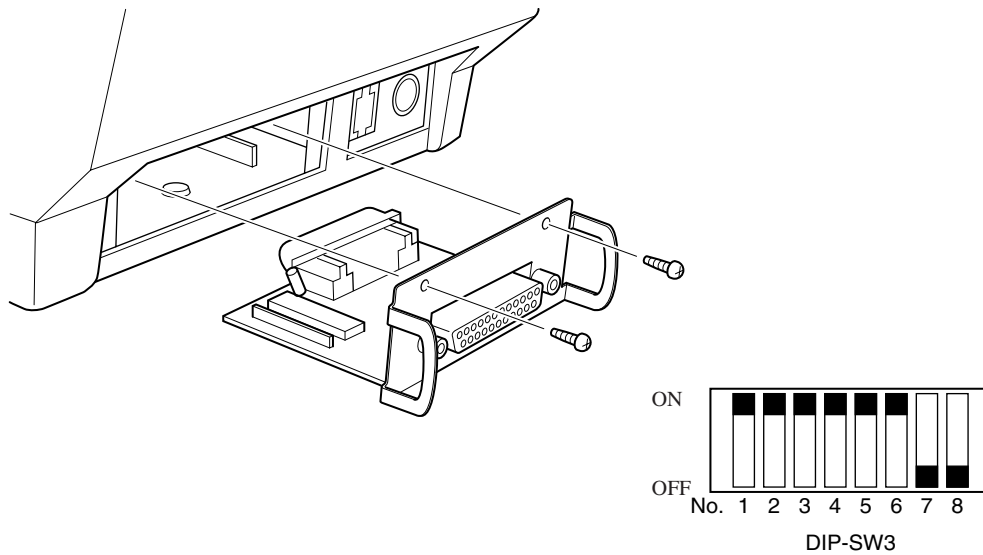
(2) Modo ESC/POS

Interruptor	Função	ON	OFF
1-1	Emulação do comando	Sempre LIGADO	
1-2	Ajuste gráfico	203 DPI	180 DPI
1-3	Não deve ser alterado (deve estar definido para “on” (ligado))		
1-4	Ajuste do sensor	Inválido	Válido
1-5	Não deve ser alterado (deve estar definido para “on” (ligado))		
1-6	Ligação entre a impressora e o computador	Offline ou a memória	A memória intermédia
	(condições para OCUPADO)	intermédia está cheia	está cheia
1-7	Função de reposição do estado automático	Inválido	Válido
1-8	Não deve ser alterado (deve estar definido para “on” (ligado))		

DIP-SW 2

Interruptor	Função	ON	OFF
2-1	Sempre LIGADO	Deve ser definido para a posição “on” (ligado)	
2-2			
2-3			
2-4			

As definições do fabricante do interruptor DIP estão todas activas.



DIP-SW 3

Interruptor	Função	ON	OFF
3-1	Velocidade de transmissão	Consulte a tabela abaixo	
3-2			
3-3	Extensão dos dados	8 bits	7 bits
3-4	Verificação da paridade	Desactivado	Activado
3-5	Paridade	Ímpar	Par
3-6	Ligação entre a impressora e o computador	DTR/DSR	XON/XOFF
3-7	Não deve ser alterado (deve estar definido para a posição "off" (desligado))	—	—
3-8			

Velocidade de transmissão	Interruptor 3-1	Interruptor 3-2
4800BPS	OFF	ON
9600BPS	ON	ON
19200BPS	ON	OFF

As definições do fabricante para o interruptor DIP estão todas activas, excepto para os interruptores 7 e 8.

Especificações

Método de impressão	Impressão da linha térmica
Densidade dos pontos	203 dpi x 203 dpi (8 pontos/mm)
Direcção da impressão	Unidireccional com alimentação por fricção
Largura de impressão	Máximo de 80 mm (640 pontos)
Número de caracteres por linha (predefinido)	Fonte A: 42, Fonte B: 56
Espaçamento entre os caracteres (predefinido)	0 pontos
Tamanho dos caracteres	Fonte A: 1,5 x 3,0 mm Fonte B: 1,125 x 3,0 mm
Conjunto dos caracteres	Caracteres alfanuméricos: 95 Caracteres internacionais: 32 Gráficos externos: 128 x 40 páginas
Velocidade de impressão	Máximo de 180 mm/seg.
Espaçamento entre linhas	3 mm / 4 mm
Estrutura dos caracteres	Fonte A: 12 x 24 Fonte B: 9 x 24
Interface	RS232C / IEEE1284 / USB / Ethernet
Tamanho da memória intermédia recebida	8 K / 64 bytes
MCBF	60 milhões de linhas (baseado numa taxa de impressão média de 12,5%, com uma espessura compreendida entre 65 μ m e 75 μ m)
Tempo de corte	1 milhão (espessura do papel compreendida entre 65 e 100 μ m) 0,3 milhões de cortes (espessura do papel entre 100 e 150 μ m)
Temperatura	Funcionamento: entre 5 e 45 °C Armazenamento: entre -20 e 60 °C
Humidade	Funcionamento: entre 10 e 90% RH (sem condensação) Armazenamento: entre 10 e 90% RH (sem condensação)
Dimensões	147 x 213 x 148 (L x P x A mm)
Peso	Aproximadamente 1,7 kg

Opções

- (1) Conjunto para montagem na parede (WB-T700)
- (2) Conjunto para suporte vertical (VS-T700)
- (3) Unidade da placa de interface USB (IFBD-HU03)
- (4) Unidade da placa de interface paralelo (IFBD-HU03)
- (5) Unidade da placa de interface RS-232C de 25 pinos (IFBD-HD03)
- (6) Unidade da placa de interface RS-232C de 9 pinos (IFBD-HN03)
- (7) Unidade da placa de interface Ethernet (IFBD-HE03)

Aceda ao seguinte URL:

http://www.star-micronics.co.jp/service/frame_sp_spr_e.htm

para obter os mais recentes controladores e utilitários da impressora.

THERMISCHE PRINTER
SERIE TSP700
GEBRUIKERSHANDLEIDING



**Federal Communications Commission
Storing van radiofrequenties
Verklaring**

Deze apparatuur blijkt volgens tests te voldoen aan de criteria voor computerapparatuur van klasse A, overeenkomstig deel 15 van het FCC-reglement. Deze regels beogen een redelijke bescherming te bieden tegen storingen wanneer de apparatuur in een zakelijke omgeving wordt gebruikt. In deze apparatuur wordt elektrische energie op radiofrequenties opgewekt, die storing kan veroorzaken in radio- en TV-ontvangst als hij niet volgens de in deze handleiding gegeven voorschriften wordt aangesloten of gebruikt. Gebruik ervan in een woonomgeving kan storing veroorzaken; in dat geval is de gebruiker verplicht om de storing op zijn kosten te verhelpen.

Ingevolge de Federal Noise Interference Standard is voor deze apparatuur een afgeschermd kabel vereist.

Deze verklaring is alleen van toepassing op printers die in de Verenigde Staten op de markt worden gebracht.

**Verklaring van het
Canadese Ministerie van Communicatie
Voorschriften inzake Radiostoring**

Deze digitale apparatuur blijft binnen de grenzen van klasse A voor radiostoringen die door digitale apparatuur worden veroorzaakt, zoals uiteengezet in de Voorschriften inzake Radiostoring van het Canadese Ministerie van Communicatie.

Le présent appareil numérique n'émet pas de bruits radioélectriques dépassant les limites applicables aux appareils numériques de la classe A prescrites dans le Règlement sur le brouillage radioélectrique édicté par le ministère des Communications du Canada.

Bovenstaande verklaring is alleen van toepassing op printers die in Canada op de markt worden gebracht.

**CE
Conformiteitsverklaring van fabrikant**

Europese richtlijn 89/336/EEC van 3 mei 1989

Dit product is ontwikkeld en gefabriceerd volgens de internationale normen EN 61000-6-3/10.2001 and EN 55024/09.98 zoals bepaald in de richtlijn voor elektromagnetische compatibiliteit van de Europese Gemeenschap van mei 1989.

Europese richtlijnen 73/23/EEC en 93/68/EEC van 22 juli 1993

Dit product is ontwikkeld en gefabriceerd volgens de internationale normen EN 60950 zoals bepaald in de laagspanningsrichtlijn van de Europese Gemeenschap van juli 1993.

Bovenstaande bepaling is alleen van toepassing op printers die in de Europese Unie op de markt worden gebracht.

Verklaring over handelsmerken

TSP700: Star Micronics Co., Ltd.

ESC/POS: Seiko Epson Corporation

Opmerking

- Alle rechten voorbehouden. Niets uit deze handleiding mag in welke vorm dan ook worden verveelvoudigd zonder voorafgaande uitdrukkelijke toestemming van STAR.
- De inhoud van deze handleiding kan zonder voorafgaande kennisgeving worden gewijzigd.
- Tot het ter perse gaan van deze handleiding is al het mogelijke gedaan om de juistheid van de inhoud hiervan te waarborgen. Mochten er desondanks fouten in voorkomen, zal STAR het op prijs stellen hierover te worden geïnformeerd.
- STAR aanvaardt evenwel geen aansprakelijkheid voor eventuele fouten in deze handleiding.

© Copyright 2003 Star Micronics Co., LTD.

Veiligheidsrichtlijnen

Belangrijk!

Zorg dat de printer is uitgeschakeld, dat de voedingskabel is losgemaakt en dat de computer is uitgeschakeld als u de apparatuur gaat aansluiten.

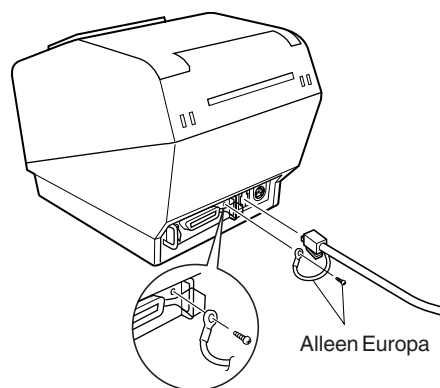
Belangrijk!

Sluit geen telefoonkabel aan op de connector voor randapparatuur. Anders kan de printer defect raken.

In verband met de veiligheid mag bedrading waar mogelijk spanning op staat niet op de connector worden aangesloten.

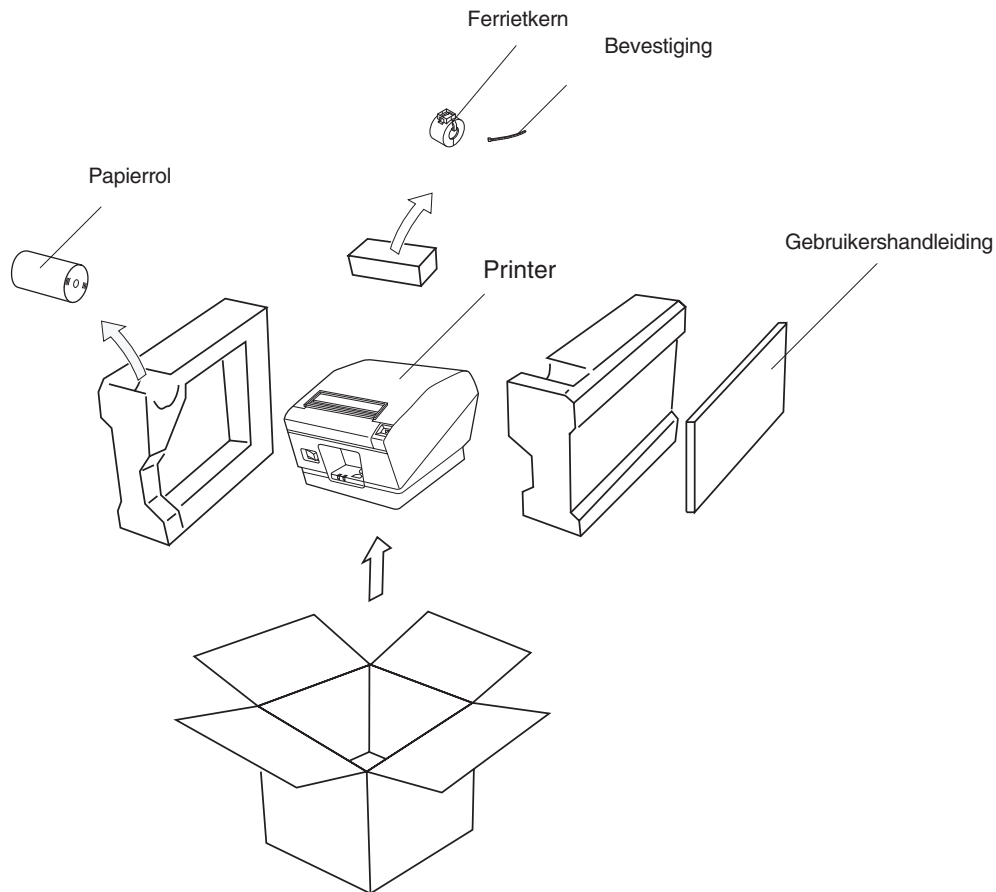
Aarddraad aansluiten. (Alleen Europa)

Draai de in onderstaande afbeelding getoonde schroef los, sluit de aarddraad hierop aan en draai de schroef weer vast.



Uitpakken

- ✓ Printer
- ✓ Gebruikershandleiding
- ✓ Papierrol
- ✓ Ferriekern (alleen bij model met parallelle interface)
- ✓ Bevestiging (alleen bij model met parallelle interface)



Kies een geschikte plaats voor de printer

Denk, voordat u met uitpakken begint, even rustig na over de plaats waar de printer gebruikt zal worden. Houd daarbij rekening met de volgende punten.

- ✓ Kies een stevig en effen oppervlak waar de printer niet blootstaat aan trillingen.
- ✓ Het stopcontact dat u wilt gebruiken moet zich dicht bij de printer bevinden en gemakkelijk bereikbaar zijn.
- ✓ Zorg met het oog op de aansluiting dat de printer niet te ver uit de buurt van de hostcomputer staat.
- ✓ Stel de printer niet bloot aan direct zonlicht.
- ✓ Zorg voor voldoende afstand tussen de printer en verwarmingstoestellen of andere warmtebronnen.
- ✓ Houd de omgeving van de printer schoon, droog en stofvrij.
- ✓ Sluit de printer aan op een betrouwbaar stopcontact. Kies geen groep waarop ook kopieermachines, koelkasten of andere apparaten zijn aangesloten die stroompieken kunnen veroorzaken.
- ✓ Gebruik de printer niet in een ruimte die erg vochtig kan worden.

Verbruiksartikelen

Zie onderstaande tabel voor aanvulling van verbruiksartikelen. Let erop dat de in de tabel genoemde netadapter wordt gebruikt.

Gebruik van andere dan in de tabel genoemde verbruiksartikelen of netadapter kan beschadiging van de printer, brand of een elektrische schok tot gevolg hebben.

(1) Specificatie papierrol

Thermisch papier

Dikte: 65~150 μm

Breedte: 79,5 \pm 0,5 mm, 82,5 \pm 0,5 mm of 57,5 \pm 0,5 mm

Buitenste diameter papierrol: ϕ 100 mm of minder

Diameter binnen- en buitenzijde kern

Papierdikte	Buitenzijde kern	Binnenzijde kern
65~75 μm	ϕ 18 \pm 1 mm	ϕ 12 \pm 1 mm
65~75 μm	ϕ 32 \pm 1 mm	ϕ 25,4 mm
75~150 μm	ϕ 32 \pm 1 mm	ϕ 25,4 mm

Bedrukt oppervlak: Buitenrand rol

Behandeling einde papierrol: Gebruik geen lijm om de papierrol op de kern vast te zetten.

Vouw het einde van het papier niet om.

(2) Aanbevolen papier

Mitsubishi Paper Mills Limited

P220AG (normaal papier), 65 μm (dikte)

HP220A (papier met hoge afbeeldingsstabiliteit), 65 μm (dikte)

HP220AB-1 (papier met hoge afbeeldingsstabiliteit), 75 μm (dikte)

P220AB (normaal papier, kaart, ticket), 85 μm (dikte)

P220AC-1 (normaal papier, kaart, ticket), 95 μm (dikte)

P220AC (normaal papier, kaart, ticket), 105 μm (dikte)

P220AD (normaal papier, kaart, ticket), 130 μm (dikte)

P220AE-1 (normaal papier, kaart, ticket), 150 μm (dikte)

PB670 (2-kleuren papier: rood en zwart), 75 μm (dikte)

PB770 (2-kleuren papier: blauw en zwart), 75 μm (dikte)

Oji Paper Co., Ltd.

PD150R (normaal papier), 75 μm (dikte)

PD160R (papier met hoge afbeeldingsstabiliteit), 65/75 μm (dikte)

PD750R (2-kleuren papier: rood en zwart), 75 μm (dikte)

PD700R (2-kleuren papier: blauw en zwart), 75 μm (dikte)

Nippon Paper Industries

TF50KS-E2C (normaal papier), 65 μm (dikte)

Kanzaki Specialty Papers Inc. (KSP)

P320RB (2-kleuren papier: rood en zwart), 65 μm (dikte)

P320BB (2-kleuren papier: blauw en zwart), 65 μm (dikte)

Afhankelijk van het type en de dikte van het papier kan het nodig zijn de instellingen voor contrast bij afdrukken te wijzigen. Met de opdracht <ESC><RS> 'd' n kunt u het contrast instellen. Zie de afzonderlijke programmeerhandleiding voor bijzonderheden.

Optionele netadapter aansluiten

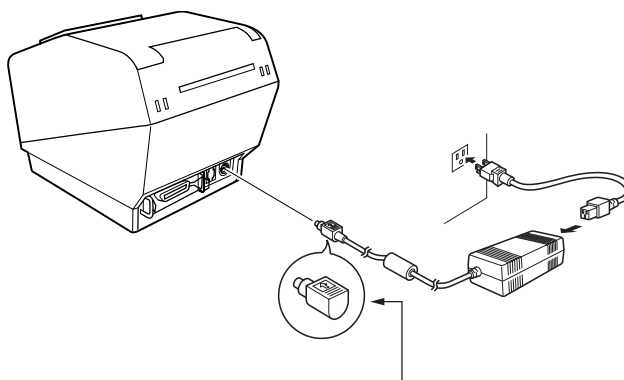
Opmerking: Als u de netadapter gaat aansluiten of losmaken moet u eerst de voeding van de printer en alle daarop aangesloten apparaten uitschakelen. Maak ook de voedingskabel los.

(1) Sluit de voedingskabel op de netadapter aan.

Opmerking: Gebruik alleen de standaard netadapter en voedingskabel.

(2) Sluit de netadapter aan op de printerconnector.

(3) Steek de stekker van de voedingskabel in een stopcontact.

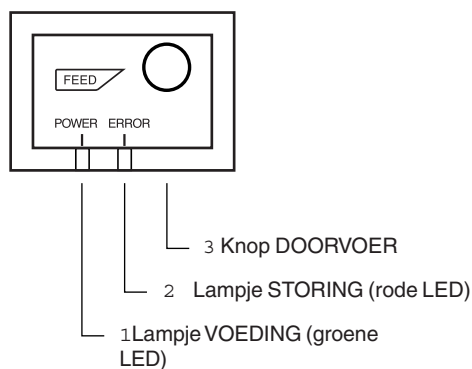


Belangrijk!

Trek aan de kabelconnector als u de kabel wilt losmaken. Door de vergrendeling vrij te maken kunt u de connector gemakkelijk loskoppelen.

Als u te hard aan de kabel trekt, kunt u de connector beschadigen.

Bedieningspaneel



1 Lampje VOEDING (groene LED)

Brandt wanneer de voeding is INGESCHAKELD

2 Lampje STORING (rode LED)

Signaleert diverse fouten in combinatie met het lampje VOEDING

3 Knop DOORVOER

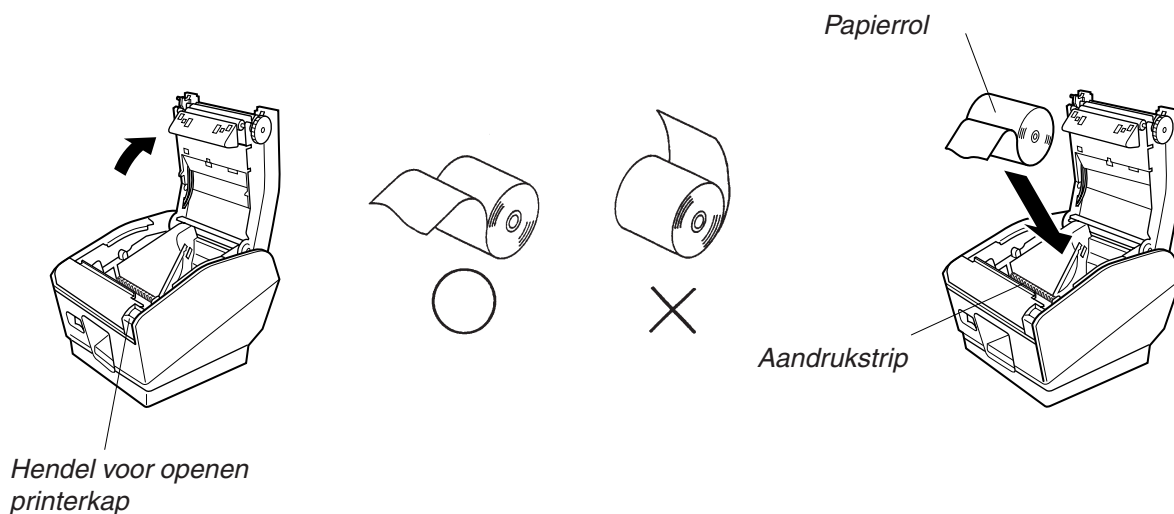
Druk op deze knop om papier door te voeren.

Papierrol plaatsen

Gebruik alleen papierrollen die voldoen aan de printerspecificatie.

Voor papierrollen van 82,5 mm breed moet de houder van de papierrol worden verwijderd.

Druk op de hendel van de printerkap en trek deze omhoog.



Let op de richting van de rol, plaats het papier in de daarvoor bedoelde ruimte en trek de rand van het papier naar u toe.

Opmerking 1: Als u papier gebruikt met een dikte waarbij de aandrukstrip vereist is ($65 \mu\text{m}$ dikte $< 100 \mu\text{m}$) mag het papier niet onder deze strip doorlopen.

Papierstoring verhelpen

Papierstoringen kunt u als volgt verhelpen.

- (1) Schakel de printer uit met de voedingsschakelaar.
- (2) Trek aan de hendel voor het openen van de printerkap.
- (3) Verwijder het vastgelopen papier.

Opmerking: Voorkom schade aan de printer tijdens het verwijderen van vastgelopen papier. Vooral de thermische kop is kwetsbaar; zorg dat deze niet geraakt wordt.

- (4) Plaats de papierrol recht en druk de printerkap voorzichtig dicht.

Opmerking 1: Zorg dat de papierrol recht zit. Als deze scheef zit bij het sluiten van de printerkap, kan een papierstoring optreden.

Opmerking 2: Sluit de printerkap door deze aan beide zijden omlaag te drukken. Probeer hem niet te sluiten door in het midden te drukken. Mogelijk wordt de kap dan niet goed vergrendeld.

- (5) Schakel de printer in met de voedingsschakelaar. Ga na of het lampje STORING uit is.

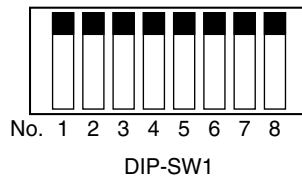
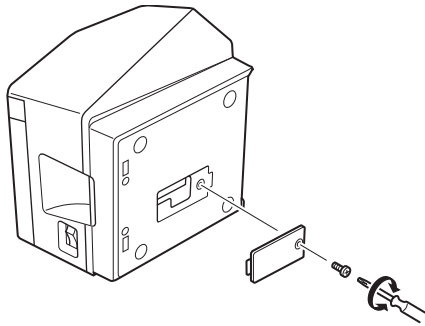
Opmerking: Als dit lampje brandt, accepteert de printer geen opdrachten, zoals die voor afdrucken. Zorg dus dat de printerkap goed vergrendeld is.

Thermische kop reinigen

Als er zwart stof op het oppervlak van de thermische kop is opgehoopt, kunt u dit verwijderen met isopropylalcohol (IPA).

Opmerking: De thermische kop is vrij kwetsbaar. Reinig deze daarom met een zachte doek. Zorg dat u bij het reinigen geen krassen veroorzaakt.

Instellingen DIP-schakelaars - Parallele interface



DIP-SW1

Schakelaar 1-1	Opdrachtemulatie
AAN	Star-modus
UIT	ESC/POS-modus

(1) Star-modus

Schakelaar	Functie	AAN	UIT
1-1	Opdrachtemulatie	Altijd AAN	
1-2	Niet wijzigen (moet zijn ingeschakeld)		
1-3	Niet wijzigen (moet zijn ingeschakeld)		
1-4	Sensoraanpassing	Ongeldig	Geldig
1-5	Pen 31 (INIT) resetsignaal	Geldig	Ongeldig
1-6	Voorwaarden handshaking (voorwaarden voor BUSY)	Offline of ontvangst- buffer vol	Ontvangstbuffer vol
1-7	Automatische status retour-functie	Ongeldig	Geldig
1-8	Niet wijzigen (moet zijn ingeschakeld)		

(2) ESC/POS-modus

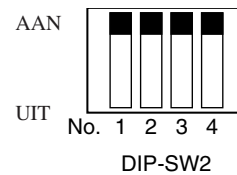
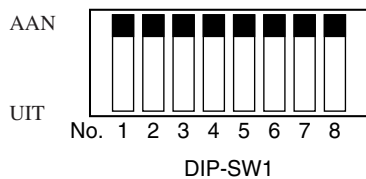
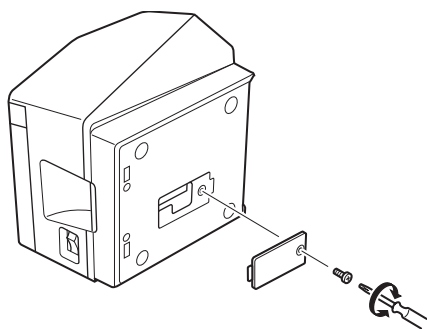
Schakelaar	Functie	AAN	UIT
1-1	Opdrachtemulatie	Altijd UIT	
1-2	Grafische aanpassing	203 DPI	180 DPI
1-3	Niet wijzigen (moet zijn ingeschakeld)		
1-4	Sensoraanpassing	Ongeldig	Geldig
1-5	Pen 31 (INIT) resetsignaal	Geldig	Ongeldig
1-6	Voorwaarden handshaking (voorwaarden voor BUSY)	Offline of ontvangst- buffer vol	Ontvangstbuffer vol
1-7	Automatische status retour-functie	Ongeldig	Geldig
1-8	Niet wijzigen (moet zijn ingeschakeld)		

DIP-SW2

Schakelaar	Functie	AAN	UIT
2-1	Altijd AAN	Moet zijn ingeschakeld	
2-2			
2-3			
2-4			

De fabrieksinstelling van alle DIP-schakelaars is AAN.

Instellingen DIP-schakelaars - Seriële interface



DIP-SW1

Schakelaar 1-1	Opdrachtemulatie
AAN	Star-modus
UIT	ESC/POS-modus

(1) Star-modus

Schakelaar	Functie	AAN	UIT
1-1	Opdrachtemulatie	Altijd AAN	
1-2	Niet wijzigen (moet zijn ingeschakeld)		
1-3	Niet wijzigen (moet zijn ingeschakeld)		
1-4	Sensoraanpassing	Ongeldig	Geldig
1-5	Niet wijzigen (moet zijn ingeschakeld)		
1-6	Voorwaarden handshaking (voorwaarden voor BUSY)	Offline of ontvangst- buffer vol	Ontvangstbuffer vol
1-7	Automatische status retour-functie	Ongeldig	Geldig
1-8	Niet wijzigen (moet zijn ingeschakeld)		

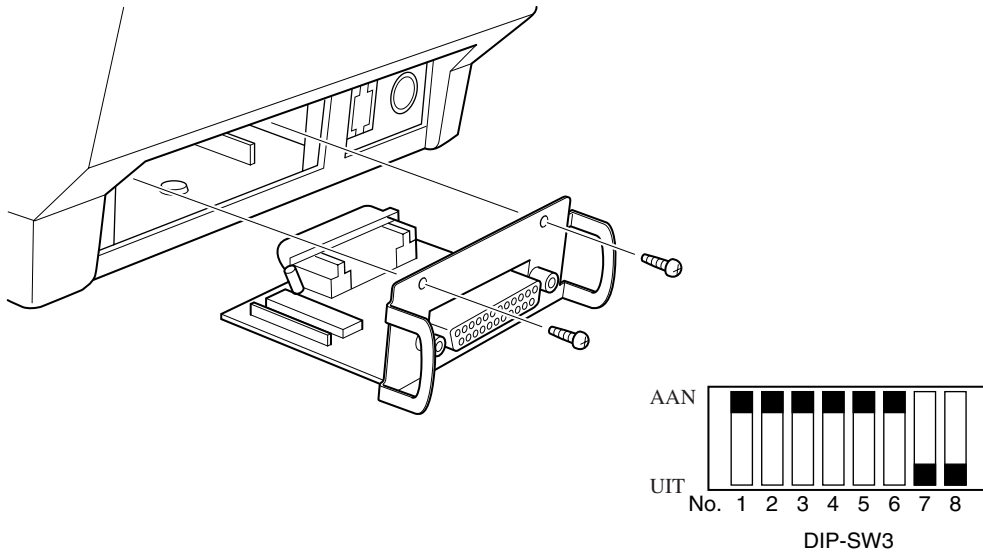
(2) ESC/POS-modus

Schakelaar	Functie	AAN	UIT
1-1	Opdrachtemulatie	Altijd UIT	
1-2	Grafische aanpassing	203 DPI	180 DPI
1-3	Niet wijzigen (moet zijn ingeschakeld)		
1-4	Sensoraanpassing	Ongeldig	Geldig
1-5	Niet wijzigen (moet zijn ingeschakeld)		
1-6	Voorwaarden handshaking (voorwaarden voor BUSY)	Offline of ontvangst- buffer vol	Ontvangstbuffer vol
1-7	Automatische status retour-functie	Ongeldig	Geldig
1-8	Niet wijzigen (moet zijn ingeschakeld)		

DIP-SW2

Schakelaar	Functie	AAN	UIT
2-1	Altijd AAN	Moet zijn ingeschakeld	
2-2			
2-3			
2-4			

De fabrieksinstelling van alle DIP-schakelaars is AAN.



DIP-SW3

Schakelaar	Functie	AAN	UIT
3-1	Baudsnelheid	Zie onderstaande tabel	
3-2			
3-3	Datalengte	8 bits	7 bits
3-4	Pariteitscontrole	Uitgeschakeld	Ingeschakeld
3-5	Pariteit	Oneven	Even
3-6	Handshake	DTR/DSR	XON/XOFF
3-7	Niet wijzigen (moet zijn uitgeschakeld)	—	—
3-8			

Baudsnelheid	Schakelaar 3-1	Schakelaar 3-2
4800 bps	UIT	AAN
9600 bps	AAN	AAN
19200 bps	AAN	UIT

De fabrieksinstelling van alle DIP-schakelaars is AAN, behalve bij de schakelaars 7 en 8.

Specificaties

Afdrukmethode	Thermische regelprinter
Dots per inch	203 dpi x 203 dpi (8 dots/mm)
Afdrukrichting	Eén richting met frictiedoorvoer
Afdrukbreedte	Maximaal 80 mm (640 dots)
Tekens per regel (standaard)	Lettertype A: 42, Lettertype B: 56
Ruimte tussen tekens (standaard)	0 dots
Tekengrootte	Lettertype A: 1,5 x 3,0 mm Lettertype B: 1,125 x 3,0 mm
Tekenset	Alfanumerieke tekens: 95 Internationale tekens: 32 Externe afbeeldingen: 128 x 40 pagina's
Afdruksnelheid	Maximaal 180 mm/sec.
Regellengte	3 mm / 4 mm
Tekenstructuur	Lettertype A: 12 x 24 Lettertype B: 9 x 24
Interfaces	RS232C / IEEE1284 / USB / Ethernet
Grootte ontvangstbuffer	8K / 64 bytes
MCBF	60 miljoen regels (gebaseerd op een gemiddelde dekking van 12,5% bij papierdikte van 65 μ m tot 75 μ m)
Levensduur mes	1 miljoen (papierdikte 65-100 μ m) 0,3 miljoen (papierdikte 100 tot 150 μ m)
Temperatuur	In bedrijf: 5 tot 45°C Opslag: -20 tot 60°C
Luchtvochtigheid	In bedrijf: 10 tot 90% (geen condensvorming) Opslag: 10 tot 90% (geen condensvorming)
Afmeting	147 x 213 x 148 (B x D x H mm)
Gewicht	Circa 1,7 kg

Opties

- (1) Set voor wandmontage (WB-T700)
- (2) Set voor verticale opstelling (VS-T700)
- (3) Kaarteenheid voor USB-interface (IFBD-HU03)
- (4) Kaarteenheid voor parallele interface (IFBD-HC03)
- (5) Kaarteenheid voor 25-pens RS-232-interface (IFBD-HD03)
- (6) Kaarteenheid voor 9-pens RS-232C-interface (IFBD-HN03)
- (7) Kaarteenheid voor Ethernet-interface (IFBD-HE03)

Ga naar het volgende Internet-adres

http://www.star-micronics.co.jp/service/frame_sp_spr_e.htm

voor de nieuwste printerstuurprogramma's en hulpprogramma's.

TERMALNI PISAČ
TSP700 SERIES
KORISNIČKI PRIRUČNIK



Federalni odbor za komunikacije
Izjava o smetnjama na radijskim frekvencijama

Ovaj je uređaj ispitan te je utvrđeno da udovoljava ograničenjima za digitalne uređaje Klase A, u skladu s Odjeljkom 15 propisa Federalnog odbora. Ova su ograničenja definirana kako bi se ostvarila razumna razina zaštite od štetnih smetnji pri upotrebi uređaja u komercijalnim okruženjima. Ovaj uređaj stvara, upotrebljava i zrači radiofrekvencijsku energiju te, ako nije instaliran i korišten u skladu s uputom za upotrebu, može uzrokovati štetne smetnje u radijskim komunikacijama. Upotreba ovog uređaja u stambenim područjima vjerojatno će uzrokovati štetne smetnje, u kojem slučaju od korisnika može biti zatraženo da izvor smetnji otkloni o vlastitom trošku.

Zaudovoljavanje federalnim standardima za emisiju šuma ovaj uređaj zahtijeva upotrebu oklopljenog kabela.

Ova se izjava odnosi samo na pisače koji se prodaju na tržištu Sjedinjenih Američkih Država.

Izjava o propisima o radijskim smetnjama kanadskog Ministarstva komunikacija

Ovaj digitalni uređaj ne prelazi ograničenja emisije radijskog šuma za digitalne uređaje Klase A definirana Propisima o radijskim smetnjama kanadskog Ministarstva komunikacija.

Le présent appareil numérique n'émet pas de bruits radioélectriques dépassant les limites applicables aux appareils numériques de la classe A prescrites dans le Règlement sur le brouillage radioélectrique édicté par le ministère des Communications du Canada.

Navedena se izjava odnosi samo na pisače koji se prodaju na kanadskom tržištu.

CE

Proizvođačka deklaracija o udovoljavanju standardima

EC Council Directive 89/336/EEC od 3. svibnja 1989.

Ovaj je proizvod projektiran i proizveden u skladu s međunarodnim standardima EN 61000-6-3/10.2001 i EN 55024/09.98 i uz pridržavanje odredbi naputka Electro Magnetic Compatibility Directive, važećeg u Europskoj zajednici od svibnja 1989. godine.

EC Council Directive 73/23/EEC i 93/68/EEC od 22. srpnja 1993.

Ovaj je proizvod projektiran i proizveden u skladu s međunarodnim standardima EN 60950 i uz pridržavanje odredbi naputka Low Voltage Directive, važećeg u Europskoj zajednici od srpnja 1993. godine.

Navedena se izjava odnosi samo na pisače koji se prodaju na tržištu Europske zajednice.

Tržišni znaci i njihovi vlasnici

TSP700: Star Micronics Co., Ltd.

ESC/POS: Seiko Epson Corporation

Napomena

- Sva prava pridržana Reprodukcijska bilo kojeg dijela ovog priručnika u bilo kojem obliku nije dopuštena bez izričitog odobrenja tvrtke STAR.
- Sadržaj ovog priručnika podložan je izmjenama bez prethodne najave.
- Uloženi su maksimalni naponi kako bi se osigurala točnost sadržaja ovog priručnika u trenutku njegovog tiska. Ako u njemu ipak otkrijete bilo kakvu pogrešku, tvrtka STAR bila bi vrlo zahvalna da je o tome obavijestite.
- Uzimajući u obzir sve navedeno, STAR ne prihvaća bilo kakvu odgovornost za bilo koju pogrešku koja se može pojaviti u ovom priručniku.

Sigurnosne informacije

Važno!

Prije povezivanja pisača s računalom uvjerite se da su oba uređaja isključena te da je pisač odspojen od naponske utičnice.

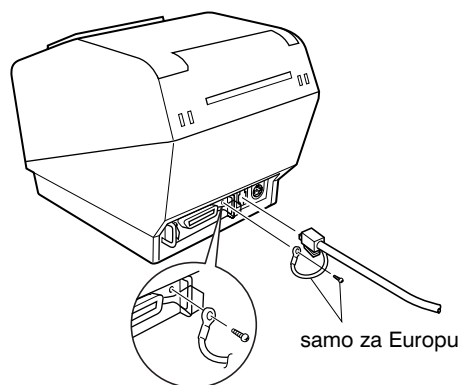
Važno!

Na priključnicu za periferne uređaje ne priključujte telefonsku liniju. Ne budete li se pridržavali ove upute, možete oštetiti pisač.

Također, iz sigurnosnih razloga na priključnicu za vanjske uređaje ne priključujte kabel ako postoji mogućnost da kabel nosi određeni periferni napon.

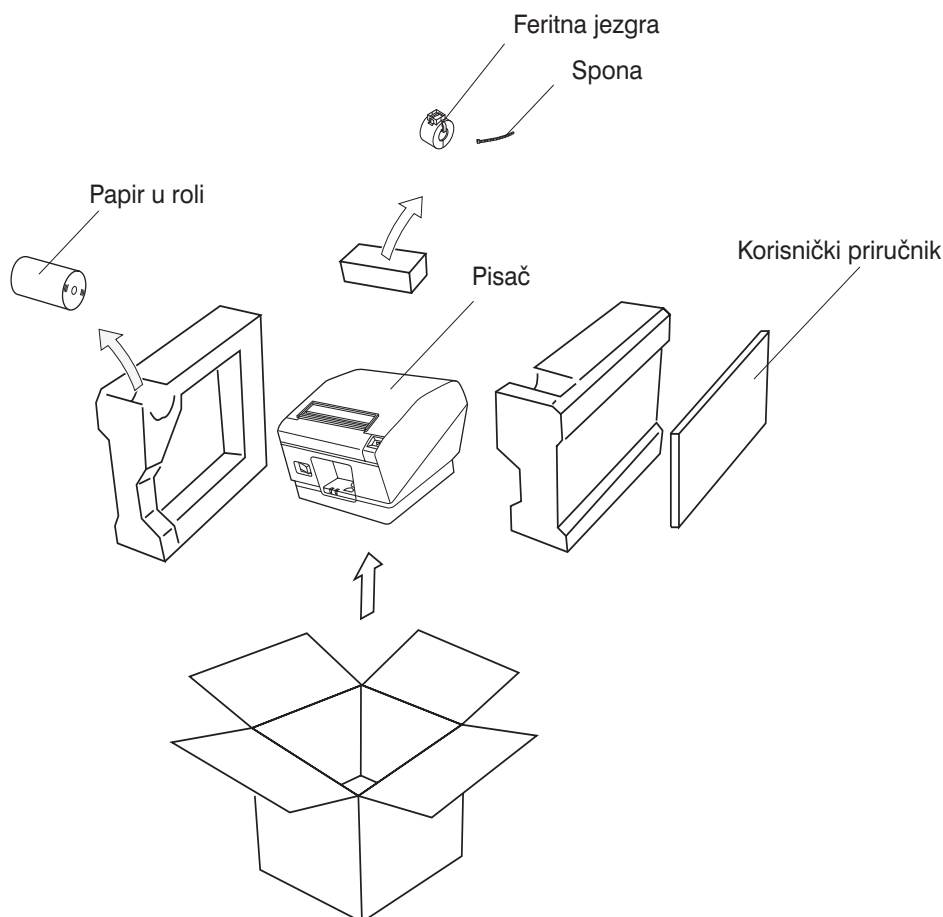
Spojite kabel za uzemljenje (vrijedi samo za Europu).

Odvijte vijak prikazan na donjoj ilustraciji, a zatim kraj kabela za uzemljenje pričvrstite na mjesto s kojeg ste uklonili vijak te ponovo pritegnite vijak.



Uklanjanje ambalaže

- ✓ Pisač
- ✓ Korisnički priručnik
- ✓ Papir u roli
- ✓ Feritna jezgra (samo kod modela s paralelnim sučeljem)
- ✓ Spona (samo kod modela s paralelnim sučeljem)



Odabir mjesta za pisač

Prije nego što doista raspakirate pisač, nekoliko minuta razmislite o tome gdje ga namjeravate koristiti. Pritom imajte u vidu sljedeće smjernice.

- ✓ Odaberite čvrstu i ravnu plohu na kojoj pisač neće biti izložen vibracijama.
- ✓ Napajačka utičnica koju namjeravate koristiti trebala bi se nalaziti u blizini i biti lako dostupna.
- ✓ Uvjerite se da se pisač nalazi dovoljno blizu računala s kojim ga želite povezati.
- ✓ Uvjerite se da pisač nije izložen izravnom sunčevom svjetlu.
- ✓ Uvjerite se da je pisač dovoljno odmaknut od radijatora i drugih snažnih izvora topline.
- ✓ Uvjerite se da je okolno područje čisto i suho te da nije prašnjavo.
- ✓ Uvjerite se da je pisač priključen na pouzdanu napajačku utičnicu. Na istu utičnicu ne bi smjeli biti priključeni fotokopirni uređaji, hladnjaci ili drugi uređaji koji mogu uzrokovati snažne strujne impulse.
- ✓ Uvjerite se da prostorija u kojoj koristite pisač nije suviše vlažna.

Potrošni materijal

Kad vam ponestane potrošnog materijala, nabavite materijal u skladu s dolje navedenim specifikacijama. Obavezno upotrebjavajte istosmjerni ispravljač naveden u tablici.

Upotreba potrošnog materijala ili ispravljača koji nisu navedeni u priloženoj tablici može uzrokovati oštećenje pisača, požar ili strujni udar.

(1) Specifikacije za papir u roli

Termalni papir

Debljina: 65~150 μm

Širina: 79,5 \pm 0,5 mm ili 82,5 \pm 0,5 mm ili 57,5 \pm 0,5 mm

Vanjski promjer role: \varnothing 100 mm ili manje

Vanjski/unutarnji promjer jezgre

Debljina papira	Vanjski promjer	Unutarnji promjer
65~75 μm	\varnothing 18 \pm 1 mm	\varnothing 12 \pm 1 mm
65~75 μm	\varnothing 32 \pm 1 mm	\varnothing 25,4 mm
75~150 μm	\varnothing 32 \pm 1 mm	\varnothing 25,4 mm

Ispisna površina: vanjska strana role

Rukovanje stražnjim krajem papira u roli: Papir ne pričvršćujte za rolu pastom ili ljepilom.
Ne savijajte stražnji kraj papira u roli.

(2) Preporučeni papir

Mitsubishi Paper Mills Limited

P220AG (standardni papir), 65 μm (debljina)

HP220A (papir za postojanost slika), 65 μm (debljina)

HP220AB-1 (papir za postojanost slika), 75 μm (debljina)

P220AB (standardni deblji papir, kartice), 85 μm (debljina)

P220AC-1 (standardni deblji papir, kartice), 95 μm (debljina)

P220AC (standardni deblji papir, kartice), 105 μm (debljina)

P220AD (standardni deblji papir, kartice), 130 μm (debljina)

P220AE-1 (standardni deblji papir, kartice), 150 μm (debljina)

PB670 (dvobojni papir: crveni i crni), 75 μm (debljina)

PB670 (dvobojni papir: plavi i crni), 75 μm (debljina)

Oji Paper Co., Ltd.

PD150R (standardni papir), 75 μm (debljina)

PD160R (papir za postojanost slika), 65/75 μm (debljina)

PD750R (dvobojni papir: crveni i crni), 75 μm (debljina)

PD700R (dvobojni papir: plavi i crni), 75 μm (debljina)

Nippon Paper Industries

TF50KS-E2C (standardni papir), 65 μm (debljina)

Kanzaki Specialty Papers Inc. (KSP)

P320RB (dvobojni papir: crveni i crni), 65 μm (debljina)

P320BB (dvobojni papir: plavi i crni), 65 μm (debljina)

Ovisno o vrsti i debljini papira, možda bude potrebno izmijeniti postavke za tamnoću ispisa. Da biste izmijenili postavke tamnoće, upotrijebite naredbu za dotjerivanje tamnoće ispisa <ESC><RS> 'd' n. Za dodatne informacije pogledajte priručnik za programiranje.

Spajanje neobaveznog istosmjernog ispravljača

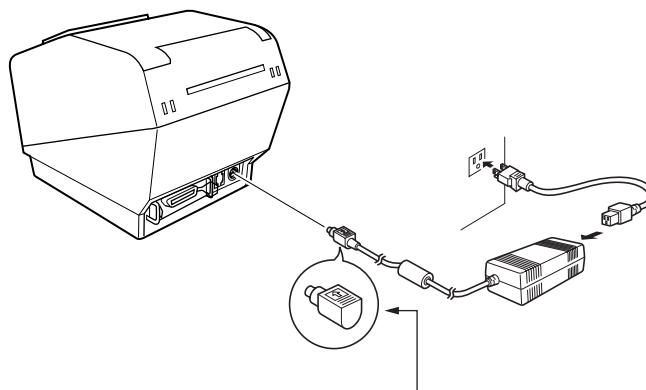
Opaska: Prije spajanja/odspajanja istosmjernog ispravljača, uvjerite se da je isključeno napajanje pisača, kao i svi drugi uređaji priključeni na pisač. Također se uvjerite da je priključak napajalnog kabela izvučen iz napajачke utičnice.

(1) Istosmjerni ispravljač spojite na napajачki kabel.

Opaska: Upotrebljavajte isključivo standardni istosmjerni ispravljač i napajачki kabel.

(2) Istosmjerni ispravljač spojite na priključnicu na pisaču.

(3) Priključak napajalnog kabela utaknite u napajачku utičnicu.

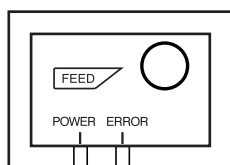


Važno!

Kad odspajate kabel, prihvatite priključni dio kabela i povucite ga. Otpuštanjem zapora priključak se može odspojiti bez napora.

Snažnim povlačenjem kabela možete oštetiti priključnicu.

Upravljačka ploča



- 3 Gumb FEED
- 2 Lampica ERROR (crvena dioda)
- 1 Lampica POWER (zelena dioda)

1 Lampica POWER (zelena dioda)

Pali se kad je napajanje UKLJUČENO.

2 Lampica ERROR (crvena dioda)

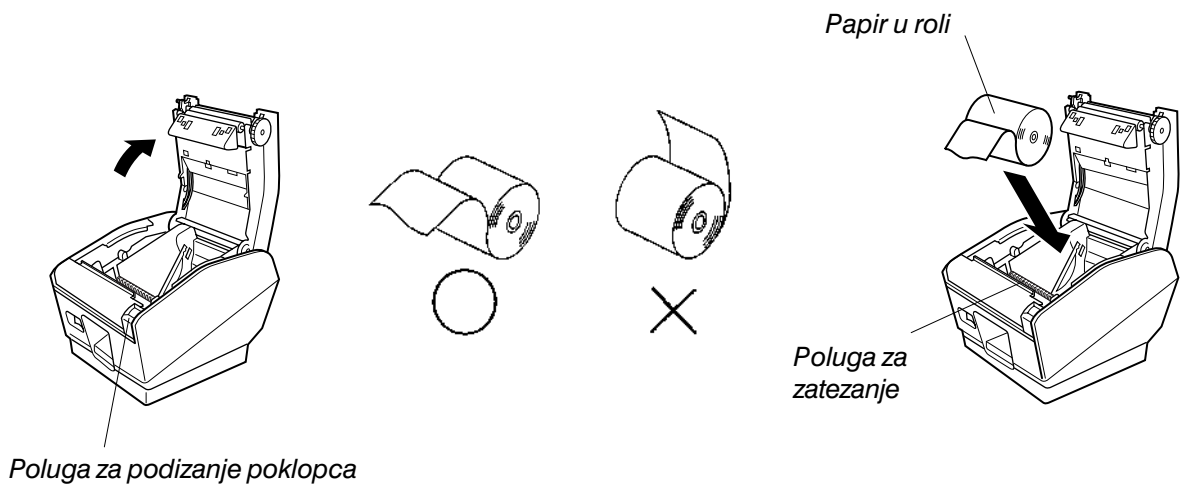
U kombinaciji s lampicom POWER naznačuje različite pogreške.

3 Gumb FEED

Za uvlačenje papira u roli pritisnite gumb FEED.

Umetanje papira u roli

Obavezno koristite papir koji odgovara specifikacijama pisača.
Kad koristite papir u roli širine 82,5 mm, uklonite držač role.
Gurnite polugu za otvaranje poklopca i podignite poklopac pisača.



Pazeći na smjer role, smjestite papir u udubljenje i povucite vodeći rub papira prema sebi.

Opaska 1: Kad koristite papir čija debljina zahtijeva upotrebu poluge za zatezanje (papir debljine između 65 μm i 100 μm), pazite da papir ne provučete ispod poluge.

Uklanjanje zaglavljenog papira

Ako se papir zaglavi, uklonite ga na sljedeći način.

- (1) Prekidač napajanja stavite u položaj 'isključeno' da biste isključili napajanje pisača.
- (2) Povucite polugu prema sebi da biste podigli poklopac pisača.
- (3) Uklonite zaglavljeni papir.

Opaska: Pazite da prilikom uklanjanja zaglavljenog papira ne oštetite pisač.

Budući da se termalna glava može vrlo lako oštetiti, pazite da je ne dotaknete.

- (4) Ispravite papir u roli i nježno spustite poklopac pisača.

Opaska 1: Uvjerite se da papir stoji ravno. Ako spustite poklopac pisača dok je papir nakrivljen, može doći do zaglavlivanja papira.

Opaska 2: Fiksirajte poklopac pisača tako da ga pritisnete sa strana. Ne pokušavajte ga zatvoriti pritiskom na sredini. Na taj se način poklopac možda neće pravilno zaglaviti na mjesto.

- (5) Prekidač napajanja stavite u položaj 'uključeno' da biste uključili napajanje pisača. Uvjerite se da se dioda ERROR nije upalila.

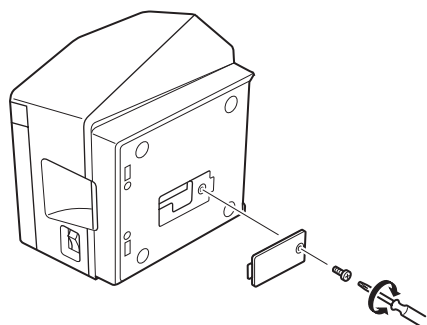
Opaska: Dok je dioda ERROR upaljena, pisač ne prihvaća niti jednu naredbu, kao npr. naredbu za ispis, stoga se uvjerite da je poklopac pisača pravilno spušten.

Čišćenje termalne glave

Da biste uklonili crnu prašinu koja se nakuplja na površini termalne glave, obrišite je izopropilnim alkoholom (IPA).

Opaska: Termalna se glava lako oštećuje, stoga je morate čistiti nježno i mekom krpom. Pazite se da glavu ne zagrebete dok je čistite.

Postavke Dip prekidača – model s paralelnim sučeljem



Prva skupina DIP-prekidača

Prekidač 1-1	Emulacija naredbenog jezika
UKLJUČEN	Način rada Star
ISKLJUČEN	Način rada ESC/POS

(1) Način rada Star

Prekidač	Funkcija	UKLJUČEN	ISKLJUČEN
1-1	Emulacija naredbenog jezika	Uvijek UKLJUČENA	
1-2	Ne smije se mijenjati (treba biti postavljen u položaj 'uključeno')		
1-3	Ne smije se mijenjati (treba biti postavljen u položaj 'uključeno')		
1-4	Prilagodba senzora	Nevažeća	Važeća
1-5	Signal poništenja za nožicu br. 31 (INIT)	Važeći	Nevažeći
1-6	Stanja 'handshaking' protokola (stanja pri oznaci BUSY)	Offline ili je ulazni međuspremnik pun	Ulazni međuspremnik je pun
1-7	Funkcija automatskog vraćanja statusa	Nevažeća	Važeća
1-8	Ne smije se mijenjati (treba biti postavljen u položaj 'uključeno')		

(2) Način rada ESC/POS

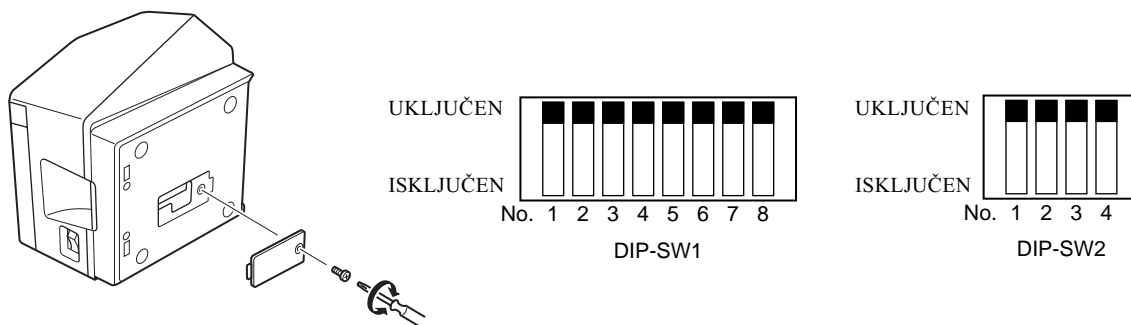
Prekidač	Funkcija	UKLJUČEN	ISKLJUČEN
1-1	Emulacija naredbenog jezika	Uvijek ISKLJUČENA	
1-2	Grafička razlučivost	203 TPI	180 TPI
1-3	Ne smije se mijenjati (treba biti postavljen u položaj 'uključeno')		
1-4	Prilagodba senzora	Nevažeća	Važeća
1-5	Signal poništenja za nožicu br. 31 (INIT)	Važeći	Nevažeći
1-6	Stanja 'handshaking' protokola (stanja pri oznaci BUSY)	Offline ili je ulazni međuspremnik pun	Ulazni međuspremnik je pun
1-7	Funkcija automatskog vraćanja statusa	Nevažeća	Važeća
1-8	Ne smije se mijenjati (treba biti postavljen u položaj 'uključeno')		

DIP-SW 2

Prekidač	Funkcija	UKLJUČEN	ISKLJUČEN
2-1	Uvijek UKLJUČENI	Trebaju biti postavljeni u položaj 'uključeno'	
2-2			
2-3			
2-4			

U tvorničkoj su postavi svi DIP prekidači postavljeni u položaj 'uključeno'.

Postavke Dip prekidača – model sa serijskim sučeljem



DIP-SW 1

Prekidač 1-1	Emulacija naredbenog jezika
UKLJUČEN	Način rada Star
ISKLJUČEN	Način rada ESC/POS

(1) Način rada Star

Prekidač	Funkcija	UKLJUČEN	ISKLJUČEN
1-1	Emulacija naredbenog jezika	Uvijek UKLJUČENA	
1-2	Ne smije se mijenjati (treba biti postavljen u položaj 'uključeno')		
1-3	Ne smije se mijenjati (treba biti postavljen u položaj 'uključeno')		
1-4	Prilagodba senzora	Nevažeća	Važeća
1-5	Ne smije se mijenjati (treba biti postavljen u položaj 'uključeno')		
1-6	Stanja 'handshaking' protokola (stanja pri oznaci BUSY)	Offline ili je ulazni međuspremnik pun	Ulazni međuspremnik je pun
1-7	Funkcija automatskog vraćanja statusa	Nevažeća	Važeća
1-8	Ne smije se mijenjati (treba biti postavljen u položaj 'uključeno')		

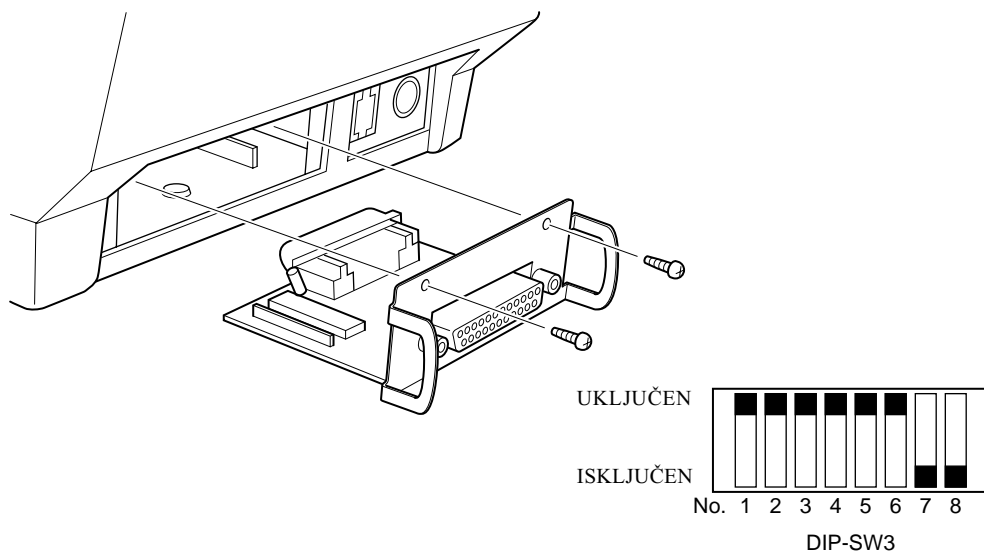
(2) Način rada ESC/POS

Prekidač	Funkcija	UKLJUČEN	ISKLJUČEN
1-1	Emulacija naredbenog jezika	Uvijek ISKLJUČENA	
1-2	Grafička razlučivost	203 TPI	180 TPI
1-3	Ne smije se mijenjati (treba biti postavljen u položaj 'uključeno')		
1-4	Prilagodba senzora	Nevažeća	Važeća
1-5	Ne smije se mijenjati (treba biti postavljen u položaj 'uključeno')		
1-6	Stanja 'handshaking' protokola (stanja pri oznaci BUSY)	Offline ili je ulazni međuspremnik pun	Ulazni međuspremnik je pun
1-7	Funkcija automatskog vraćanja statusa	Nevažeća	Važeća
1-8	Ne smije se mijenjati (treba biti postavljen u položaj 'uključeno')		

DIP-SW 2

Prekidač	Funkcija	UKLJUČEN	ISKLJUČEN
2-1	Uvijek UKLJUČENI	Trebaju biti postavljeni u položaj 'uključeno'	
2-2			
2-3			
2-4			

U tvorničkoj su postavi svi DIP prekidači postavljeni u položaj 'uključeno'.



DIP-SW 3

Prekidač	Funkcija	UKLJUČEN	ISKLJUČEN
3-1	Brzina komunikacije	Vidi tablicu dolje	
3-2			
3-3	Duljina podatkovnog niza	8 bita	7 bita
3-4	Provjera pariteta	Onemogućena	Omogućena
3-5	Paritet	Neparni	Parni
3-6	Handshaking protokol	DTR/DSR	XON/XOFF
3-7	Ne smiju se mijenjati (trebaju biti postavljeni u položaj 'isključeno')	—	—
3-8			

Brzina komunikacije	Prekidač 3-1	Prekidač 3-2
4800 bita/s	ISKLJUČEN	UKLJUČEN
9600 bita/s	UKLJUČEN	UKLJUČEN
19200 bita/s	UKLJUČEN	ISKLJUČEN

U tvorničkoj su postavi svi DIP prekidači osim prekidača 7 i 8 postavljeni u položaj 'uključeno'.

Specifikacije

Tehnologija ispisa	Termalni linijski ispis
Gustoća ispisa	203 tpi x 203 tpi (8 točaka/mm)
Smjer ispisa	Jednosmjernan ispis s uvlačenjem silom trenja
Širina ispisa	Najviše 80 mm (640 točaka)
Broj znakova po liniji (početna postava)	Font A: 42, Font B: 56
Razmak među znakovima (početna postava)	0 točaka
Veličina znakova	Font A: 1,5 x 3,0 mm Font B: 1,125 x 3,0 mm
Skup znakova	Alfanumerički znakovi: 95 Međunarodni znakovi: 32 Grafički elementi: stranice 128 x 40
Brzina ispisa	Najviše 180 mm/s
Prored	3 mm / 4 mm
Struktura znakova	Font A: 12 x 24 Font B: 9 x 24
Sučelje	RS232C / IEEE1284 / USB / Ethernet
Veličina ulaznog međuspremnika	8K / 64 bajta
MCBF	60 milijuna linija (temeljeno na prosječnoj stopi popunjenosti od 12,5% na papiru debljine u rasponu od 65 μ m do 75 μ m)
Vijek rezača	1 milijun rezanja (papir debljine od 65 do 100 μ m) 0,3 milijuna rezanja (papir debljine od 100 do 150 μ m)
Temperatura	Radna: od 5 do 45 °C Skladišna: od -20 do 60 °C
Vlažnost	Radna: od 10 do 90% rel. vlažnosti (bez kondenzacije) Skladišna: od 10 do 90% rel. vlažnosti (bez kondenzacije)
Dimenzije	147 x 213 x 148 (Š x D x V u mm)
Masa	Oko 1,7 kg

Dodatna oprema

- (1) Komplet za zidnu montažu (WB-T700)
- (2) Komplet za postolje (VS-T700)
- (3) Sklop ploče s USB sučeljem (IFBD-HU03)
- (4) Sklop ploče s paralelnim sučeljem (IFBD-HC03)
- (5) Sklop ploče s 25-nožičnim RS-232C sučeljem (IFBD-HD03)
- (6) Sklop ploče s 9-nožičnim RS-232C sučeljem (IFBD-HN03)
- (7) Sklop ploče s Ethernet sučeljem (IFBD-HE03)

Za najnovije pogonske i pomoćne programe posjetite
http://www.star-micronics.co.jp/service/frame_sp_spr_e.htm

ТЕРМОПРИНТЕРЫ

СЕРИИ TSP700

***РУКОВОДСТВО
ПОЛЬЗОВАТЕЛЯ***



Федеральная комиссия по связи (FCC)

Заявление о радиочастотных помехах

Данное устройство было протестировано, и проверка показала, что оно соответствует требованиям, предъявляемым к цифровым устройствам класса А, изложенным в части 15 правил FCC. Эти требования предназначены для того, чтобы прочее оборудование было защищено от помех при работе с устройством в промышленной среде. Данное устройство генерирует, использует и может излучать радиочастотную энергию, поэтому нарушение правил настоящего руководства при установке и использовании устройства может повлечь за собой создание помех средствам радиосвязи. Работа данного устройства в жилом районе может создать радиопомехи, которые должны быть устранены за счет пользователя.

Для соответствия Федеральному стандарту по шумовым помехам в данном устройстве должен использоваться экранированный кабель.

Настоящее заявление относится только к принтерам, продаваемым на территории США.

Заявление канадского департамента по вопросам коммуникаций Требования к радиопомехам

Уровень помех, создаваемых данным цифровым устройством, не превышает предельных значений интенсивности шумового радиоизлучения для цифровых устройств, установленных в рамках требований к радиопомехам канадского департамента по вопросам коммуникаций.

Le present appareil numerique n'emet pas de bruits radioelectriques dépassant les limites applicables aux appareils numeriques de la classe A prescrites dans le Reglement sur le brouillage radioelectrique edicte par le ministere des Communications du Canada.

Настоящее заявление относится только к принтерам, продаваемым на территории Канады.

СЕ Декларация производителя о соответствии требованиям

Директива Совета ЕС № 89/336/ЕЕС от 3 мая 1989 г.

Данный продукт разработан и изготовлен в соответствии с международными стандартами EN 61000-6-3/10.2001 и EN 55024/09.98 с учетом предписаний Директивы по электромагнитной совместимости Европейского экономического сообщества от мая 1989 г.

Директивы Совета ЕС № 73/23/ЕЕС и 93/68/ЕЕС от 22 июля 1993 г.

Данный продукт был разработан и изготовлен в соответствии с международными стандартами EN 60950 с учетом предписаний Директивы по низковольтным устройствам Европейского экономического сообщества от июля 1993 г.

Настоящее заявление относится только к принтерам, продаваемым на территории ЕС.

Информация об обладателях торговых марок

TSP700: Star Micronics Co., Ltd.

ESC/POS: Seiko Epson Corporation

Примечание

- Все права защищены. Запрещается воспроизводить любую часть данного руководства в какой бы то ни было форме без явного разрешения компании STAR.
- Содержание данного руководства может быть изменено без предварительного уведомления.
- Были предприняты все меры к тому, чтобы обеспечить корректность содержания данного руководства на момент его отправки в печать. Однако компания STAR будет очень признательна за сообщения о любых ошибках, если таковые будут обнаружены.
- Несмотря на вышесказанное, компания STAR не несет никакой ответственности за любые ошибки в данном руководстве.

Информация по технике безопасности

Важные сведения!

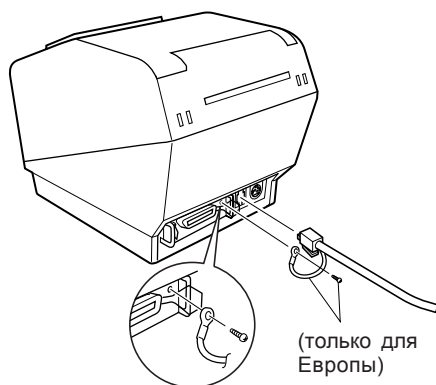
Перед подключением устройства убедитесь, что принтер выключен и отсоединен от сети переменного тока, а также выключен компьютер.

Важные сведения!

Не подключайте кабель телефонной линии к разъему, предназначенному для дополнительного диска. В противном случае принтер может выйти из строя. Кроме того, в целях безопасности нельзя подключать к разъему для внешнего диска кабели, если есть вероятность, что разъем находится под напряжением.

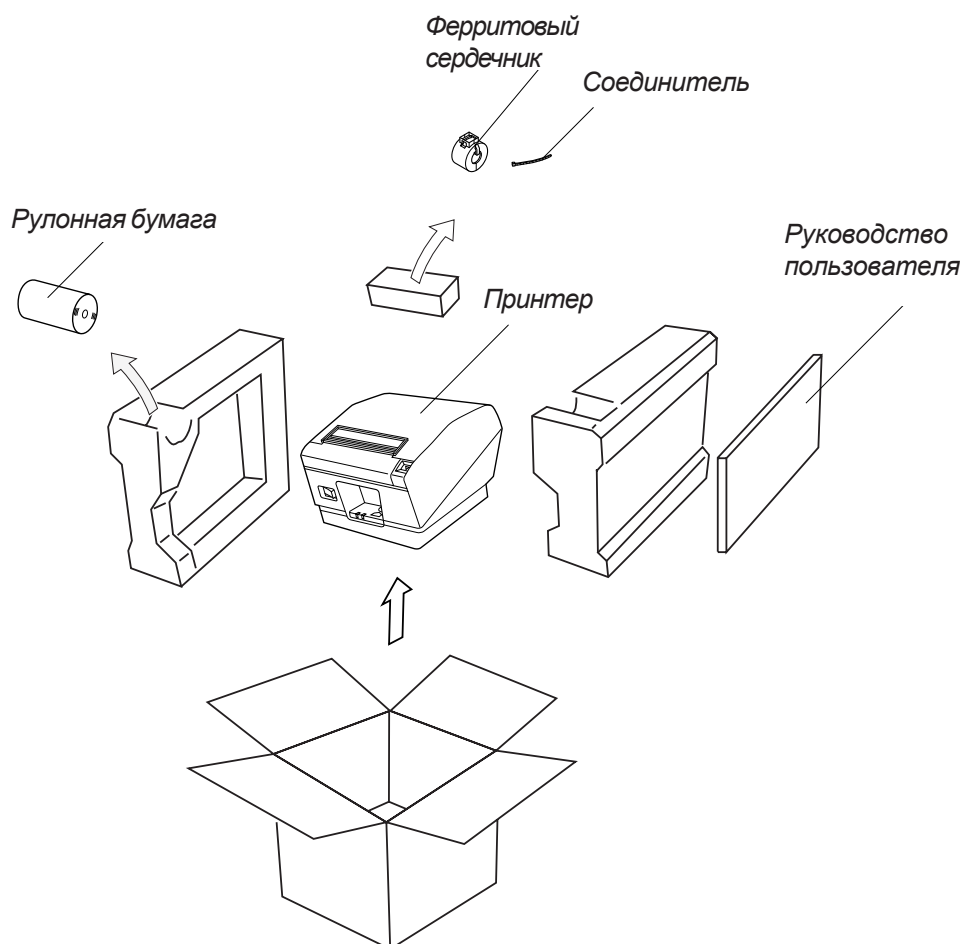
Подключение кабеля заземления. (только для Европы)

Вывинтите винт, показанный на рисунке, затем приложите наконечник кабеля заземления к тому месту, откуда был снят винт, и вновь затяните винт.



Вынимаем принтер из упаковки

- ✓ Принтер
- ✓ Руководство пользователя
- ✓ Рулонная бумага
- ✓ Ферритовый сердечник (только для модели с параллельным интерфейсом)
- ✓ Соединитель (только для модели с параллельным интерфейсом)



Выбор места для установки принтера

Прежде чем распаковывать принтер, уделите несколько минут тому, чтобы подумать, где его лучше установить. При этом рекомендуем учесть следующие советы:

- ✓ Выбирайте твердую, ровную поверхность, на которой принтер не будет вибрировать.
- ✓ Розетка, которую Вы собираетесь использовать, должна находиться рядом с местом установки, и доступ к ней должна быть свободен.
- ✓ Не ставьте принтер далеко от компьютера, к которому он будет подключен.
- ✓ На принтер не должен попадать прямой солнечный свет.
- ✓ Не устанавливайте принтер вблизи нагревателей и других источников тепла.
- ✓ Убедитесь, что вокруг нет грязи, везде сухо и нет пыли.
- ✓ Принтер необходимо подключать к исправной сетевой розетке. Не рекомендуется подключать устройство к одной электролинии с копирами, холодильниками и другими приборами, способными вызвать перепады в напряжении.
- ✓ В комнате, где находится принтер, не должно быть повышенной влажности.

Расходные материалы

Для замены расходных материалов используйте только те, что указаны в приведенной ниже таблице. Проверьте, что используется именно такой сетевой адаптер, который указан в таблице.

Использование сетевого адаптера или расходных материалов, отличных от указанных в таблице, может привести к поломке принтера, пожару или удару электрическим током.

(1) Характеристики рулонной бумаги

Термобумага

Толщина: 65~150 г/м²

Ширина: 79,5±0,5 мм или 82,5±0,5 мм или 57,5±0,5 мм

Внешний диаметр рулона: ш100 мм или менее

Внешний/внутренний диаметр сердечника

Толщина бумаги	Внешний диаметр	Внутренний диаметр
65~75 г/м ²	Ø18±1 мм	Ø12±1 мм
65~75 г/м ²	Ø32±1 мм	Ø25,4 мм
75~150 г/м ²	Ø32±1 мм	Ø25,4 мм

Рабочая поверхность: Внешняя сторона рулона

Обращение с концевой частью: Не используйте клей для закрепления рулонной бумаги на сердечнике.

Не складывайте концевую часть бумаги.

(2) Рекомендуемая бумага

Mitsubishi Paper Mills Limited

P220AG (обычного типа), толщина 65 г/м²

HP220A (бумага для высокой стабильности изображений), толщина 65 г/м²

HP220AB-1 (бумага для высокой стабильности изображений), толщина 75 г/м²

P220AB (обычного типа, особоплотная, для билетов), толщина 85 г/м²

P220AC-1 (обычного типа, особоплотная, для билетов), толщина 95 г/м²

P220AC (обычного типа, особоплотная, для билетов), толщина 105 г/м²

P220AD (обычного типа, особоплотная, для билетов), толщина 130 г/м²

P220AE-1 (обычного типа, особоплотная, для билетов), толщина 150 г/м²

PB670 (2-цветная бумага: красно-черная), толщина 75 г/м²

PB770 (2-цветная бумага: сине-черная), толщина 75 г/м²

Oji Paper Co., Ltd.

PD150R (обычного типа), толщина 75 г/м²

PD160R (бумага для высокой стабильности изображений), толщина 65/75 г/м²

PD750R (2-цветная бумага: красно-черная), толщина 75 г/м²

PD700R (2-цветная бумага: сине-черная), толщина 75 г/м²

Nippon Paper Industries

TF50KS-E2C (обычного типа), толщина 65 г/м²

Kanzaki Specialty Papers Inc. (KSP)

P320RB (2-цветная бумага: красно-черная), толщина 65 г/м²

P320BB (2-цветная бумага: сине-черная), толщина 65 г/м²

В зависимости от типа и толщины бумаги может потребоваться изменение настройки яркости печати. Для изменения настройки яркости используйте команду <ESC><RS> 'd' n. Подробнее см. специальное руководство по программированию.

Подключение дополнительного сетевого адаптера

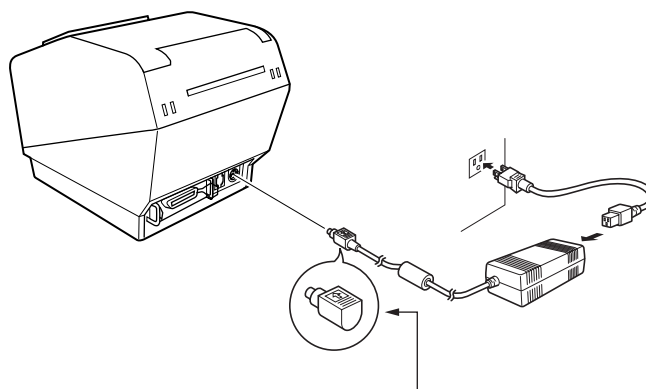
Примечание: Перед подключением или отключением сетевого адаптера убедитесь, что питание принтера и всех присоединенных к нему устройств выключено. Также проверьте, что вилка сетевого кабеля вынута из розетки.

(1) Подключите кабель к сетевому адаптеру.

Примечание: Используйте только стандартный сетевой адаптер и кабель питания.

(2) Подключите сетевой адаптер к разъему на принтере.

(3) Вставьте вилку сетевого кабеля в розетку.

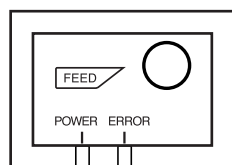


Важные сведения!

Чтобы вынуть вилку из розетки при отсоединении кабеля, держитесь за вилку. Чтобы Вам было удобнее, снимите фиксатор.

Если тянуть за кабель слишком сильно, можно повредить разъем.

Панель управления

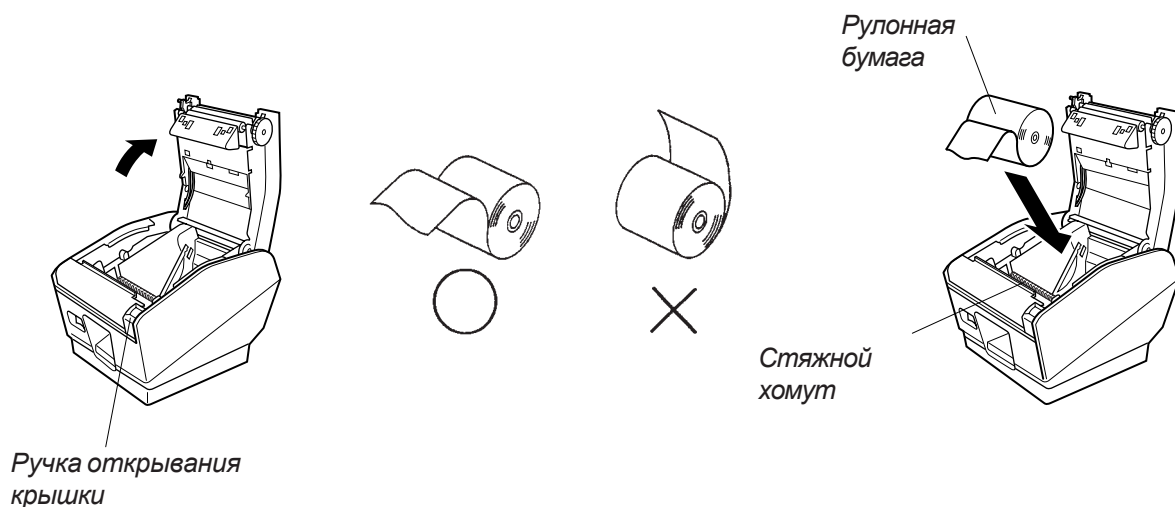


- ③ Кнопка FEED (подача бумаги)
- ② Индикатор ERROR (ошибка) – красный светодиод
- ① Индикатор POWER (питание) – зеленый светодиод

- 1 Индикатор POWER (питание) – зеленый светодиод
Горит при включенном питании
- 2 Индикатор ERROR (ошибка) – красный светодиод
В сочетании с индикатором POWER сигнализирует о различных ошибках
- 3 Кнопка FEED (подача бумаги)
Кнопка FEED используется для подачи рулонной бумаги.

Заправка рулонной бумаги

Убедитесь, что используется бумага, соответствующая техническим характеристикам принтера. При использовании бумаги с шириной рулона 82,5 мм удалите держатель рулонной бумаги. Нажмите на ручку открывания крышки и откройте крышку принтера.



Установите рулон в соответствующее место, следя за тем, чтобы край бумаги смотрел на Вас лицом, и потяните конец бумаги на себя.

Примечание 1: При использовании бумаги, толщина которой требует применения стяжного хомута (толщина бумаги $65 \text{ г/м}^2 < 100 \text{ г/м}^2$), следите за тем, чтобы бумага не оказалась под хомутом.

Устранение замятия бумаги

Если произошло замятие бумаги, устраните эту неисправность, как описано ниже.

- (1) Отключите питание принтера, установив выключатель в положение «выкл.».
- (2) Потяните ручку на себя и откройте крышку принтера.
- (3) Выньте замятую бумагу.

Примечание: Вынимайте замятую бумагу осторожно, чтобы не повредить принтер.

Особенно уязвима термоголовка, поэтому постарайтесь не касаться ее.

- (4) Вставьте бумагу ровно и аккуратно закройте принтер.

Примечание 1: Убедитесь, что бумага установлена ровно. Если установить бумагу с перекосом и закрыть крышку принтера, может произойти заминание.

Примечание 2: Защелкните крышку принтера, надавив на нее с двух сторон. Не пытайтесь закрыть крышку, надавливая на нее в центре. Так крышка может не защелкнуться, как нужно.

- (5) Включите питание принтера, установив выключатель в положение «вкл.». Убедитесь, не горит что индикатор ERROR (ошибка).

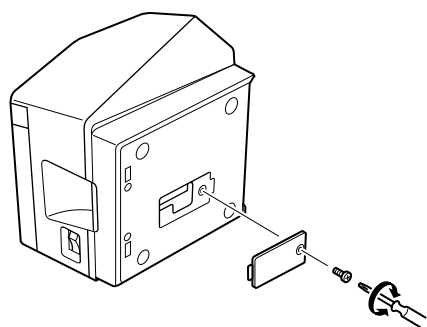
Примечание: Если индикатор ERROR горит, принтер не будет реагировать ни на какие команды, в том числе и на команду печати, поэтому проверьте, чтобы крышка принтера была хорошо и правильно закрыта.

Очистка термоголовки

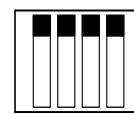
Чтобы удалить черный налет, образующийся на поверхности термоголовки, головку необходимо протереть изопропиловым спиртом.

Примечание: Термоголовка является очень нежной деталью, поэтому протирать ее нужно осторожно с помощью мягкой ткани. Следите за тем, чтобы не поцарапать головку при очистке.

Настройка DIP-переключателей: параллельный интерфейс



№ 1 2 3 4 5 6 7 8
DIP-переключатель 1



№ 1 2 3 4
DIP-переключатель 2

DIP-переключатели, группа 1

Переключатель 1-1	Эмуляция команды
ON	Режим Star
OFF	Режим ESC/POS

(1) Режим Star

DIP	Функция	ON	OFF
1-1	Эмуляция команды	Всегда ON	
1-2	Не подлежит изменению (всегда должен находиться в положении ON)		
1-3	Не подлежит изменению (всегда должен находиться в положении ON)		
1-4	Регулировка датчика	Выкл.	Вкл.
1-5	Сигнал перезагрузки Pin #31 (INIT)	Вкл.	Выкл.
1-6	Условия подтверждения связи (условия для BUSY)	Автономно или буфер приема полон	Буфер приема полон
1-7	Функция возврата в автоматическое состояние	Выкл.	Вкл.
1-8	Не подлежит изменению (всегда должен находиться в положении ON)		

(2) Режим ESC/POS

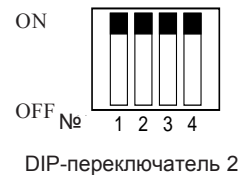
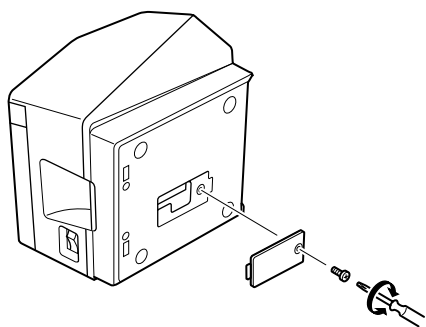
DIP	Функция	ON	OFF
1-1	Эмуляция команды	Всегда OFF	
1-2	Регулировка графики	203 т/д	180 т/д
1-3	Не подлежит изменению (всегда должен находиться в положении ON)		
1-4	Регулировка датчика	Выкл.	Вкл.
1-5	Сигнал перезагрузки Pin #31 (INIT)	Вкл.	Выкл.
1-6	Условия подтверждения связи (условия для BUSY)	Автономно или буфер приема полон	Буфер приема полон
1-7	Функция возврата в автоматическое состояние	Выкл.	Вкл.
1-8	Не подлежит изменению (всегда должен находиться в положении ON)		

DIP-переключатель 2

DIP	Функция	ON	OFF
2-1	Всегда ON	Всегда должен находиться в положении ON	
2-2			
2-3			
2-4			

Исходная установка DIP-переключателей – все в положении ON.

Настройка DIP-переключателей: последовательный интерфейс



DIP-переключатель 1

Переключатель 1-1	Эмуляция команды
ON	Режим Star
OFF	Режим ESC/POS

(1) Режим Star

DIP	Функция	ON	OFF
1-1	Эмуляция команды	Всегда ON	
1-2	Не подлежит изменению (всегда должен находиться в положении ON)		
1-3	Не подлежит изменению (всегда должен находиться в положении ON)		
1-4	Регулировка датчика	Выкл.	Вкл.
1-5	Не подлежит изменению (всегда должен находиться в положении ON)		
1-6	Условия подтверждения связи (условия для BUSY)	Автономно или буфер приема полон	Буфер приема полон
1-7	Функция возврата в автоматическое состояние	Выкл.	Вкл.
1-8	Не подлежит изменению (всегда должен находиться в положении ON)		

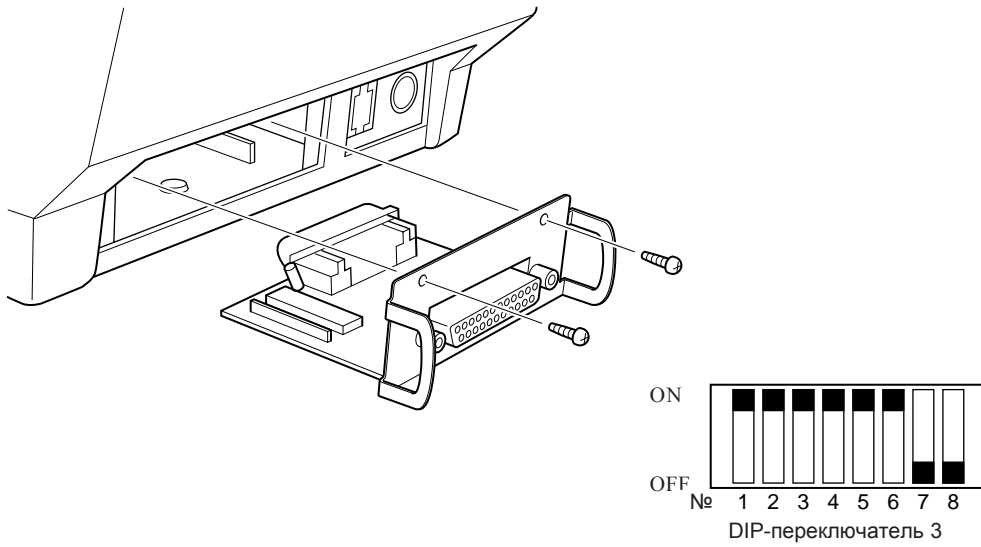
(2) Режим ESC/POS

DIP	Функция	ON	OFF
1-1	Эмуляция команды	Всегда OFF	
1-2	Регулировка графики	203 т/д	180 т/д
1-3	Не подлежит изменению (всегда должен находиться в положении ON)		
1-4	Регулировка датчика	Выкл.	Вкл.
1-5	Не подлежит изменению (всегда должен находиться в положении ON)		
1-6	Условия подтверждения связи (условия для BUSY)	Автономно или буфер приема полон	Буфер приема полон
1-7	Функция возврата в автоматическое состояние	Выкл.	Вкл.
1-8	Не подлежит изменению (всегда должен находиться в положении ON)		

DIP-переключатель 2

DIP	Функция	ON	OFF
2-1	Всегда ON	Всегда должен находиться в положении ON	
2-2			
2-3			
2-4			

Исходная установка DIP-переключателей – все в положении ON.



DIP-переключатель 3

DIP	Функция	ON	OFF
3-1	Скорость двоичной передачи	См. таблицу ниже	
3-2			
3-3	Длина данных	8 бит	7 бит
3-4	Проверка четности	Выкл.	Вкл.
3-5	Четность	Нечетное	Четное
3-6	Подтверждение связи	DTR/DSR	XON/XOFF
3-7	Не подлежит изменению (всегда должен находиться в положении ON)	—	—
3-8			

Скорость двоичной передачи	Переключатель 3-1	Переключатель 3-2
4800 бит/с	OFF	ON
9600 бит/с	ON	ON
19200 бит/с	ON	OFF

Исходные установки DIP-переключателей – все в положении ON, кроме № 7 и 8.

Технические характеристики

Метод печати	Термальнная линейная печать
Плотность точек	203 т/д x 203 т/д (8 точек на мм)
Направление печати	В обоих направлениях с фрикционной подачей
Ширина печати	Макс. 80 мм (640 точек)
Символов в строке (по умолчанию)	Шрифт А: 42, Шрифт В: 56
Разрядка между символами (по умолч.)	0 точек
Размер символа	Шрифт А: 1,5 x 3,0 мм Шрифт В: 1,125 x 3,0 мм
Набор символов	Буквенно-цифровые символы: 95 Международные символы: 32 Внешняя графика: 128 x 40 страниц
Скорость печати	Макс. 180 мм/с
Межстрочное расстояние	3 мм / 4 мм
Структура символа	Шрифт А: 12 x 24 Шрифт В: 9 x 24
Интерфейс	RS232C / IEEE1284 / USB / Ethernet
Емкость буфера приема	8 Кб / 64 байт
Средняя наработка на отказ	60 млн. строк (на основе средней скорости печати 12,5% с толщиной бумаги в диапазоне от 65 г/м ² до 75 г/м ²)
Ресурсрезака	1 миллион срезов (толщина бумаги 65-100 г/м ²) 0,3 млн. срезов (толщина бумаги от 100 до 150 г/м ²)
Температура	При эксплуатации: от 5 до 45 °С При хранении: от -20 до 60 °С
Влажность	При эксплуатации: от 10 до 90 % отн. влажности при отсутствии конденсации При хранении: от 10 до 90 % отн. влажности при отсутствии конденсации
Габариты	147 x 213 x 148 мм (Ш x Д x В)
Вес	Прибл. 1,7 кг

Дополнительные принадлежности

- (1) Набор для настенного монтажа (WB-T700)
- (2) Набор для вертикального стенда (VS-T700)
- (3) Плата USB-интерфейса (IFBD-HU03)
- (4) Плата параллельного интерфейса (IFBD-HC03)
- (5) 25-контактная плата интерфейса RS-232C (IFBD-HD03)
- (6) 9-контактная плата интерфейса RS-232C (IFBD-HN03)
- (7) Плата интерфейса Ethernet (IFBD-HE03)

На странице нашего веб-сайта по адресу

http://www.star-micronics.co.jp/service/frame_sp_spr_e.htm

Вы сможете найти информацию о новейших драйверах и утилитах для принтеров.



**ELECTRONIC PRODUCTS DIVISION
STAR MICRONICS CO., LTD.**

536 Shimizunanatsushinya,
Shizuoka, 424-0066 Japan
Tel : 0543-47-0112
Fax: 0543-48-5013

**OVERSEAS SUBSIDIARY COMPANIES
STAR MICRONICS AMERICA, INC.**

1150 King Georges Post Road, Edison,
NJ 08837-3729 U.S.A.
Tel : 732-623-5555
Fax: 732-623-5590
<http://www.starmicronics.com>

STAR MICRONICS EUROPE LTD.

Star House, Peregrine Business
Park, Gomm Road, High Wycombe,
Bucks, HP13 7DL, U.K.
Tel : 01494-471111
Fax: 01494-473333
<http://www.StarMicronicsEurope.com>

Please access the following URL
http://www.star-micronics.co.jp/service/frame_sp_spr_e.htm
for the latest revision of the manual.

Distributed by