

Lenovo E50–05 Series Hardware Maintenance Manual



Machine Types: 90CS [E50-05 ES] & 90CT [E50-05 Non-ES]

Lenovo E50–05 Series Hardware Maintenance Manual

Machine Types: 90CS [E50-05 ES] & 90CT [E50-05 Non-ES]

Second Edition (December 2014)15th

© Copyright Lenovo 2014.

LIMITED AND RESTRICTED RIGHTS NOTICE: If data or software are delivered pursuant a General Services Administration "GSA" contract, use, reproduction, or disclosure is subject to restrictions set forth in Contract No. GS-35F-05925

Contents

Chapter 1. About this manual	1	POST error codes	20
Important Safety Information	1	Undetermined problems	20
Chapter 2. Safety information	3	Chapter 7. Locating connectors, controls and components	21
General safety	3	Chapter 8. Replacing hardware	25
Electrical safety	3	General information	25
Safety inspection guide	5	Replacing the keyboard and mouse	26
Handling electrostatic discharge-sensitive devices	5	Removing the computer cover	26
Grounding requirements	6	Removing the front bezel	28
Safety notices	6	Replacing the power switch board	28
Chapter 3. General information	9	Replacing the chassis handle	29
Specifications	9	Replacing an optical drive	30
Chapter 4. General Checkout	11	Replacing the hard disk drive	31
Chapter 5. Using the Setup Utility.	13	Replacing the solid state drive	32
Starting the Lenovo BIOS Setup Utility program	13	Replacing a memory module	33
Viewing and changing settings	13	Replacing the graphic card	34
Using passwords.	13	Replacing the heat-sink assembly	36
Enabling or disabling a device	15	Replacing an AMD CPU	37
Selecting a startup device	16	Replacing the front I/O board	40
Exiting the Lenovo BIOS Setup Utility program	17	Replacing the motherboard.	42
Chapter 6. Symptom-to-FRU Index	19	Chapter 9. FRU lists-E50-05	45
Hard disk drive boot error	19	Chapter 10. General information	51
Power Supply Problems	19	Additional Service Information	51

Chapter 1. About this manual

This manual contains service and reference information for Lenovo E50–05 desktop computers listed on the cover. It is intended only for trained servicers who are familiar with Lenovo computer products.

Before servicing a Lenovo product, be sure to read the Safety Information.

The description of the TV card in this manual is only used for the machines which have the TV card. It is invalid for those machines which do not have TV card.

Important Safety Information

Be sure to read all caution and danger statements in this book before performing any of the instructions.

Veillez lire toutes les consignes de type DANGER et ATTENTION du présent document avant d'exécuter les instructions.

Lesen Sie unbedingt alle Hinweise vom Typ "ACHTUNG" oder "VORSICHT" in dieser Dokumentation, bevor Sie irgendwelche Vorgänge durchführen

Leggere le istruzioni introdotte da ATTENZIONE e PERICOLO presenti nel manuale prima di eseguire una qualsiasi delle istruzioni

Certifique-se de ler todas as instruções de cuidado e perigo neste manual antes de executar qualquer uma das instruções

Es importante que lea todas las declaraciones de precaución y de peligro de este manual antes de seguir las instrucciones.

执行任何说明之前，请确保已阅读本书中的所有警告和危险声明。

執行任何指示前，請確實閱讀本書中的所有警告及危險聲明。

Chapter 2. Safety information

This chapter contains the safety information that you need to be familiar with before servicing a computer.

General safety

Follow these rules to ensure general safety:

- Observe good housekeeping in the area of the machines during and after maintenance.
- When lifting any heavy object:
 1. Ensure you can stand safely without slipping.
 2. Distribute the weight of the object equally between your feet.
 3. Use a slow lifting force. Never move suddenly or twist when you attempt to lift.
 4. Lift by standing or by pushing up with your leg muscles; this action removes the strain from the muscles in your back.
Do not attempt to lift any objects that weigh more than 16 kg (35 lb) or objects that you think are too heavy for you.
- Do not perform any action that causes hazards to the customer, or that makes the equipment unsafe.
- Before you start the machine, ensure that other service representatives and the customer's personnel are not in a hazardous position.
- Place removed covers and other parts in a safe place, away from all personnel, while you are servicing the machine.
- Keep your tool case away from walk areas so that other people will not trip over it.
- Do not wear loose clothing that can be trapped in the moving parts of a machine. Ensure that your sleeves are fastened or rolled up above your elbows. If your hair is long, fasten it.
- Insert the ends of your necktie or scarf inside clothing or fasten it with a nonconductive clip, approximately 8 centimeters (3 inches) from the end.
- Do not wear jewelry, chains, metal-frame eyeglasses, or metal fasteners for your clothing.
Remember: Metal objects are good electrical conductors.
- Wear safety glasses when you are: hammering, drilling soldering, cutting wire, attaching springs, using solvents, or working in any other conditions that might be hazardous to your eyes.
- After service, reinstall all safety shields, guards, labels, and ground wires. Replace any safety device that is worn or defective.
- Reinstall all covers correctly before returning the machine to the customer.

Electrical safety



CAUTION:

Electrical current from power, telephone, and communication cables can be hazardous. To avoid personal injury or equipment damage, disconnect the attached power cords, telecommunication systems, networks, and modems before you open the computer covers, unless instructed otherwise in the installation and configuration procedures.

Observe the following rules when working on electrical equipment.

Important: Use only approved tools and test equipment. Some hand tools have handles covered with a soft material that does not insulate you when working with live electrical currents. Many customers have, near their equipment, rubber floor mats that contain small conductive fibers to decrease electrostatic discharges. Do not use this type of mat to protect yourself from electrical shock.

- Find the room emergency power-off (EPO) switch, disconnecting switch, or electrical outlet. If an electrical accident occurs, you can then operate the switch or unplug the power cord quickly.
- Do not work alone under hazardous conditions or near equipment that has hazardous voltages.
- Disconnect all power before:
 - Performing a mechanical inspection
 - Working near power supplies
 - Removing or installing Field Replaceable Units (FRUs)
- Before you start to work on the machine, unplug the power cord. If you cannot unplug it, ask the customer to power-off the wall box that supplies power to the machine and to lock the wall box in the off position.
- If you need to work on a machine that has exposed electrical circuits, observe the following precautions:
 - Ensure that another person, familiar with the power-off controls, is near you.
Remember: Another person must be there to switch off the power, if necessary.
 - Use only one hand when working with powered-on electrical equipment; keep the other hand in your pocket or behind your back.
Remember: There must be a complete circuit to cause electrical shock. By observing the above rule, you may prevent a current from passing through your body.
 - When using a tester, set the controls correctly and use the approved probe leads and accessories for that tester.
 - Stand on suitable rubber mats (obtained locally, if necessary) to insulate you from grounds such as metal floor strips and machine frames.

Observe the special safety precautions when you work with very high voltages; these instructions are in the safety sections of maintenance information. Use extreme care when measuring high voltages.

- Regularly inspect and maintain your electrical hand tools for safe operational condition.
- Do not use worn or broken tools and testers.
- *Never assume* that power has been disconnected from a circuit. First, *check* that it has been powered-off.
- Always look carefully for possible hazards in your work area. Examples of these hazards are moist floors, nongrounded power extension cables, power surges, and missing safety grounds.
- Do not touch live electrical circuits with the reflective surface of a plastic dental mirror. The surface is conductive; such touching can cause personal injury and machine damage.
- Do not service the following parts with the power on when they are removed from their normal operating places in a machine:
 - Power supply units
 - Pumps
 - Blowers and fans
 - Motor generatorsand similar units. (This practice ensures correct grounding of the units.)
- If an electrical accident occurs:
 - Use caution; do not become a victim yourself.
 - Switch off power.

- Send another person to get medical aid.

Safety inspection guide

The intent of this inspection guide is to assist you in identifying potentially unsafe conditions on these products. Each machine, as it was designed and built, had required safety items installed to protect users and service personnel from injury. This guide addresses only those items. However, good judgment should be used to identify potential safety hazards due to attachment of features or options not covered by this inspection guide.

If any unsafe conditions are present, you must determine how serious the apparent hazard could be and whether you can continue without first correcting the problem.

Consider these conditions and the safety hazards they present:

- Electrical hazards, especially primary power (primary voltage on the frame can cause serious or fatal electrical shock).
- Explosive hazards, such as a damaged CRT face or bulging capacitor
- Mechanical hazards, such as loose or missing hardware

The guide consists of a series of steps presented in a checklist. Begin the checks with the power off, and the power cord disconnected.

Checklist:

1. Check exterior covers for damage (loose, broken, or sharp edges).
2. Power-off the computer. Disconnect the power cord.
3. Check the power cord for:
 - a. A third-wire ground connector in good condition. Use a meter to measure third-wire ground continuity for 0.1 ohm or less between the external ground pin and frame ground.
 - b. The power cord should be the appropriate type as specified in the parts listings.
 - c. Insulation must not be frayed or worn.
4. Remove the cover.
5. Check for any obvious alterations. Use good judgment as to the safety of any alterations.
6. Check inside the unit for any obvious unsafe conditions, such as metal filings, contamination, water or other liquids, or signs of fire or smoke damage.
7. Check for worn, frayed, or pinched cables.
8. Check that the power-supply cover fasteners (screws or rivets) have not been removed or tampered with.

Handling electrostatic discharge-sensitive devices

Any computer part containing transistors or integrated circuits (ICs) should be considered sensitive to electrostatic discharge (ESD). ESD damage can occur when there is a difference in charge between objects. Protect against ESD damage by equalizing the charge so that the machine, the part, the work mat, and the person handling the part are all at the same charge.

Notes:

1. Use product-specific ESD procedures when they exceed the requirements noted here.
2. Make sure that the ESD protective devices you use have been certified (ISO 9000) as fully effective.

When handling ESD-sensitive parts:

- Keep the parts in protective packages until they are inserted into the product.

- Avoid contact with other people while handling the part.
- Wear a grounded wrist strap against your skin to eliminate static on your body.
- Prevent the part from touching your clothing. Most clothing is insulative and retains a charge even when you are wearing a wrist strap.
- Use the black side of a grounded work mat to provide a static-free work surface. The mat is especially useful when handling ESD-sensitive devices.
- Select a grounding system, such as those listed below, to provide protection that meets the specific service requirement.

Note: The use of a grounding system is desirable but not required to protect against ESD damage.

- Attach the ESD ground clip to any frame ground, ground braid, or green-wire ground.
- Use an ESD common ground or reference point when working on a double-insulated or battery-operated system. You can use coax or connector-outside shells on these systems.
- Use the round ground-prong of the ac plug on ac-operated computers.

Grounding requirements

Electrical grounding of the computer is required for operator safety and correct system function. Proper grounding of the electrical outlet can be verified by a certified electrician.

Safety notices

The caution and danger safety notices in this section are provided in the language of English.



DANGER

Electrical current from power, telephone and communication cables is hazardous.

To avoid a shock hazard:

- **Do not connect or disconnect any cables or perform installation, maintenance, or reconfiguration of this product during an electrical storm.**
- **Connect all power cords to a properly wired and grounded electrical outlet.**
- **Connect to properly wired outlets any equipment that will be attached to this product.**
- **When possible, use one hand only to connect or disconnect signal cables.**
- **Never turn on any equipment when there is evidence of fire, water, or structural damage.**
- **Disconnect the attached power cords, telecommunications systems, networks, and modems before you open the device covers, unless instructed otherwise in the installation and configuration procedures.**
- **Connect and disconnect cables as described in the following table when installing, moving, or opening covers on this product or attached devices.**

To Connect	To Disconnect
<ol style="list-style-type: none"> 1. Turn everything OFF. 2. First, attach all cables to devices. 3. Attach signal cables to connectors. 4. Attach power cords to outlet. 5. Turn device ON. 	<ol style="list-style-type: none"> 1. Turn everything OFF. 2. First, remove power cords from outlet. 3. Remove signal cables from connectors. 4. Remove all cables from devices.



CAUTION:

When replacing the lithium battery, use only Part Number 45C1566 or an equivalent type battery recommended by the manufacturer. If your system has a module containing a lithium battery, replace it only with the same module type made by the same manufacturer. The battery contains lithium and can explode if not properly used, handled, or disposed of.

Do not:

- Throw or immerse into water
- Heat to more than 100°C (212°F)
- Repair or disassemble

Dispose of the battery as required by local ordinances or regulations.



CAUTION:

When laser products (such as CD-ROMs, DVD-ROM drives, fiber optic devices, or transmitters) are installed, note the following:

- Do not remove the covers. Removing the covers of the laser product could result in exposure to hazardous laser radiation. There are no serviceable parts inside the device.
- Use of controls or adjustments or performance of procedures other than those specified herein might result in hazardous radiation exposure.






 **DANGER**

Some laser products contain an embedded Class 3A or Class 3B laser diode. Note the following:

Laser radiation when open. Do not stare into the beam, do not view directly with optical instruments, and avoid direct exposure to the beam.

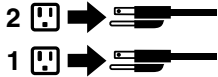


		
≥18 kg(37 lbs)	≥32 kg(70.5 lbs)	≥55 kg(121.2 lbs)

CAUTION:
Use safe practices when lifting.



CAUTION:
The power control button on the device and the power switch on the power supply do not turn off the electrical current supplied to the device. The device also might have more than one power cord. To remove all electrical current from the device, ensure that all power cords are disconnected from the power source.



CAUTION:
Do not place any object weighing more than 82 kg (180 lbs.) on top of rack-mounted devices.



Chapter 3. General information

This chapter provides general information that applies to all machine types supported by this publication.

Specifications

This section lists the physical specifications for your computer.

This section lists the physical specifications for your computer.

Type Lenovo E50-05

This section lists the physical specifications.

Environment

Air temperature:

Operating: 10° to 35°C

Transit: -20° to 55°C

Humidity:

Operating: 35% to 80%

Transit: 20% to 90% (40°C)

Altitude: 86KPa to 106KPa

Electrical input:

Input voltage: 90V-264V(AC)

Input frequency: 47Hz-63Hz

Chapter 4. General Checkout

Attention: The drives in the computer you are servicing might have been rearranged or the drive startup sequence changed. Be extremely careful during write operations such as copying, saving, or formatting. Data or programs can be overwritten if you select an incorrect drive.

General error messages appear if a problem or conflict is found by an application program, the operating system, or both. For an explanation of these messages, refer to the information supplied with that software package.

Use the following procedure to help determine the cause of the problem:

1. Power-off the computer and all external devices.
2. Check all cables and power cords.
3. Set all display controls to the middle position.
4. Power-on all external devices.
5. Power-on the computer.
 - Look for displayed error codes
 - Look for readable instructions or a main menu on the display.

If you did not receive the correct response, proceed to step 6.

If you do receive the correct response, proceed to step 7.

6. Look at the following conditions and follow the instructions:
 - If the computer displays a POST error, go to “POST error codes”.
 - If the computer hangs and no error is displayed, continue at step 7.
7. If the test stops and you cannot continue, replace the last device tested.

Chapter 5. Using the Setup Utility

The Setup Utility program is used to view and change the configuration settings of your computer, regardless of which operating system you are using. However, the operating-system settings might override any similar settings in the Setup Utility program.

Starting the Lenovo BIOS Setup Utility program

To start the Lenovo BIOS Setup Utility program, do the following:

1. If your computer is already on when you start this procedure, shut down the operating system and turn off the computer.
2. Press and hold the **F1** key then turn on the computer. When the Lenovo BIOS Setup Utility program is displayed, release the **F1** key.

Note: If a Power-On Password or an Administrator Password has been set, the Setup Utility program menu is not displayed until you type your password. For more information, see “Using passwords.”

Viewing and changing settings

System configuration options are listed in the Lenovo BIOS Setup Utility program menu. To view or change settings, see “Starting the Setup Utility program.”

You must use the keyboard when using the Lenovo BIOS Setup Utility menu. The keys used to perform various tasks are displayed on the bottom of each screen.

Using passwords

You can use the Lenovo BIOS Setup Utility program to set passwords to prevent unauthorized persons from gaining access to your computer and data. See “Starting the Setup Utility program.” The following types of passwords are available:

- Administrator Password
- Power-On Password

You do not have to set any passwords to use your computer. However, if you decide to set passwords, read the following sections.

Password considerations

A password can be any combination of letters and numbers up to 16 character (a-z, and 0-9). For security reasons, it is a good idea to use a strong password that cannot be easily compromised. We suggest that passwords should follow these rules:

- Strong passwords contain 7-16 characters, combine letters and numbers.
- Do not use your name or your user name.
- Do not use a common word or a common name.
- Be significantly different from your previous password.

Attention: Administrator and Power-On passwords are not case sensitive

Administrator Password

Setting an Administrator Password deters unauthorized persons from changing configuration settings. You might want to set an Administrator Password if you are responsible for maintaining the settings of several computers.

After you set an Administrator Password, a password prompt is displayed every time you access the Lenovo BIOS Setup Utility program.

If both the Administrator and Power-On Password are set, you can type either password. However, you must use your Administrator Password to change any configuration settings.

Setting, changing, or deleting an Administrator password

To set an Administrator Password, do the following:

Note: A password can be any combination of letters and numbers up to 16 character (a-z, and 0-9). For more information, see “Password considerations” on page 13.

1. Start the Lenovo BIOS Setup Utility program (see “Starting the Lenovo BIOS Setup Utility program” on page 13).
2. From the **Security** menu, select **Set Administrator Password** and press the **Enter** key.
3. The password dialog box will be displayed. Type the password then press the **Enter** key.
4. Re-type the password to confirm, then press the **Enter** key. If you type the password correctly, the password will be installed.

To change an Administrator Password, do the following:

1. Start the Lenovo BIOS Setup Utility program (see “Starting the Lenovo BIOS Setup Utility program” on page 13).
2. From the **Security** menu, select **Set Administrator Password** and press the **Enter** key.
3. The password dialog box will be displayed. Type the current password then press **Enter** key.
4. Type the new password, then press **Enter** key. Re-type the password to confirm the new password, if you type the new password correctly, the new password will be installed. A Setup Notice will display that changes have been saved.

To delete a previously set Administrator Password, do the following :

1. From the **Security** menu, select **Set Administrator Password** and press the **Enter** key.
2. The password dialog box will be displayed. Type the current password and press the **Enter** key.
3. To delete an **Administrator Password**, **Enter** blank fields for each new password line item. A setup notice will display that changes have been saved.
4. Return to the Lenovo BIOS Setup Utility program menu and select the **Exit** option.
5. Select **Save changes and Exit** from the menu.

Power-On Password

When a Power-On Password is set, you cannot start the Lenovo BIOS Setup Utility program until a valid password is typed from the keyboard.

Setting, changing, or deleting a Power-On Password

Note: A password can be any combination of letters and numbers up to 16 character (a-z, and 0-9).

To set a Power-On Password, do the following:

1. Start the Lenovo BIOS Setup Utility program (See "Starting the Lenovo BIOS Setup Utility program" on page 13.)
2. From the **Security** menu, select **Set Power-On Password** and press the **Enter** key.
3. The password dialog box will be displayed. Type the password, and press the **Enter** key.
4. Re-type the password to confirm, if you type the password correctly, the password will be installed.

To change a Power-On Password, do the following:

1. Start the Lenovo BIOS Setup Utility program (See "Starting the Lenovo BIOS Setup Utility program" on page 13.)
2. From the **Security** menu, select **Set Power-On Password** and press the **Enter** key.
3. The password dialog box will be displayed. Type the current password then press the **Enter** key.
4. Type the new password, then press the **Enter** key. Re-type the password to confirm the new password, if you type the new password correctly, the new password will be installed. A setup notice will display that changes have been saved.

To delete a previously set Power-On Password, do the following :

1. From the **Security** menu, select **Set Power-On Password** and press the **Enter** key.
2. The password dialog box will be displayed. Type the current password and press the **Enter** key.
3. To delete the **Power-On Password**, **Enter** blank fields for each new password line item. A setup notice will display that changes have been saved.
4. Return to the Lenovo BIOS Setup Utility program menu and select the **Exit** option.
5. Select **Save changes and Exit** from the menu.

Enabling or disabling a device

The Devices options is used to enable or disable user access to the following devices:	
Serial Port Setup	Select this option to enable or disable Serial Port (com).
USB Functions	Select whether to enable or disable USB (Universal Serial Bus) functions. If it is disabled, the USB keyboard and/or USB mouse may be not able to be used without device driver support.
ATA Drive Setup	Select IDE, ACHI mode or disable SATA controller. Device driver support is required for ACHI mode. Depending on how the hard disk image was installed, changing this setting may prevent the system from booting.
Video Setup	To configure video related functions. This option allows you to configure system's initiate graphic adapter from either IGD (Integrated Graphics Device) or PEG (PCI Express Graphics). Keep on the IGD enabled based on the setup options.

Onboard Audio Controller	Select whether to enable or disable the Onboard Audio Controller , when feature is set to Disabled all devices connected to the audio connectors (e.g. a headphone or a microphone) are disabled and can't be used.
Onboard Ethernet Controller or LAN Boot Agent	Select whether to enable or disable Onboard Ethernet Controller , or select whether to enable or disable load onboard PXE (Preboot Execution Environment) , or SMC (Secure Managed Client) . This feature will allow the computer to boot from a server image.

To enable or disable a device, do the following:

1. Start the Setup Utility program (see “Starting the Setup Utility program” on page 13).
2. From the Setup Utility program menu, select **Devices**.
3. Select:

Serial Port Setup press the **Enter** key, and then select **Serial Port Setup**.

USB Setup press the **Enter** key, and then select **USB Functions**.

ATA Device Setup press the **Enter** key. Select **Configure SATA as**, press the **Enter** key and then select SATA mode.

Video Setup press the **Enter** key, and then select **Video Setup**.

Audio Setup press the **Enter** key, and then select **Onboard Audio Controller**.

Network Setup press the **Enter** key, then select **Onboard Ethernet Support** or **LAN Boot Agent**.

4. Select **Disabled** or **Enabled** and press the **Enter** key.
5. Return to the Lenovo BIOS Setup Utility program menu and select the **Exit** option.
6. Select **Save changes and Exit** from the menu.

Note: If you do not want to save the settings, select **Discard changes and Exit** from the menu.

Selecting a startup device

If your computer does not boot from a device such as the CD/DVD-ROM drive disk or hard disk as expected, follow one of the procedures below.

Selecting a temporary startup device

Use this procedure to startup from any boot device.

Note: Not all CDs, DVDs or hard disk drives are bootable.

1. Turn off your computer.
2. Press and hold the **F12** key then turn on the computer. When the **Startup Device Menu** appears, release the **F12** key.

Note: If the **Startup Device Menu** does not display using these steps, repeatedly press and release the **F12** key rather than keeping it pressed when turning on the computer.

3. Use **↑** and **↓** arrows to select the desired startup device from the **Startup Device Menu** and press the **Enter** key to begin.

Note: Selecting a startup device from the **Startup Device Menu** does not permanently change the startup sequence.

Selecting or changing the startup device sequence

To view or permanently change the configured startup device sequence, do the following:

1. Start the Lenovo BIOS Setup Utility program (see “Starting the Lenovo BIOS Setup Utility program” on page 13).
2. From the Lenovo BIOS Setup Utility program main menu, select the **Startup** option.
3. Press the **Enter** key, and select the devices for the **Primary Boot Sequence**. Read the information displayed on the right side of the screen.
4. Use - and $\bar{\text{~}}$ arrows to select a device. Use the <+> or <-> keys to move a device up or down. Use the <x> key to exclude the device from or include the device in the boot sequence.
5. Return to the Lenovo BIOS Setup Utility program menu and select the **Exit** option.
6. Select **Save changes and Exit** from the menu.

Notes:

- a. If you do not want to save the settings, select **Discard changes and Exit** from the menu.
- b. If you have changed these settings and want to return to the default settings, select **Load Optimal Defaults** from the menu.

Exiting the Lenovo BIOS Setup Utility program

After you finish viewing or changing settings, press the **Esc** key to return to the Lenovo BIOS Setup Utility program main menu. You might have to press the **Esc** key several times. Do one of the following:

- If you want to save the new settings, select **Save changes and Exit** from the menu. When the **Save & reset** window shows, select the **Yes** button, and then press the **Enter** key to exit the Lenovo BIOS Setup Utility program.
- If you do not want to save the settings, select **Discard changes and Exit** from the menu. When the **Reset Without Saving** window shows, select the **Yes** button, and then press the **Enter** key to exit the Setup Utility program.

Chapter 6. Symptom-to-FRU Index

The Symptom-to-FRU index lists error symptoms and possible causes. The most likely cause is listed first. Always begin with Chapter 4, “General Checkout,” on page 11. This index can also be used to help you decide which FRUs to have available when servicing a computer. If you are unable to correct the problem using this index, go to “Undetermined problems” on page 20.

Notes:

- If you have both an error message and an incorrect audio response, diagnose the error message first.
- If you cannot run the diagnostic tests or you get a diagnostic error code when running a test but did receive a POST error message, diagnose the POST error message first.
- If you did not receive any error message look for a description of your error symptoms in the first part of this index.

Hard disk drive boot error

A hard disk drive boot error can have the following causes.

Error	FRU/Action
The startup drive is not included in the boot sequence in configuration.	Check the configuration and ensure the startup drive is in the boot sequence.
No operating system installed on the boot drive.	Install an operating system on the boot drive.
The boot sector on the startup drive is corrupted.	The drive must be formatted. Do the following: <ol style="list-style-type: none">1. Attempt to back-up the data on the failing hard disk drive.2. Use the operating system to format the hard disk drive.
The drive is defective.	Replace the hard disk drive.

Power Supply Problems

Follow these procedures if you suspect there is a power supply problem.

Check/Verify	FRU/Action
Check that the following are properly installed: <ul style="list-style-type: none">• Power Cord• On/Off Switch connector• System Board Power Supply connectors• Microprocessor(s) connection	Reseat connectors
Check the power cord.	Power Cord
Check the power-on switch.	Power-on Switch

POST error codes

Each time you turn the computer on, it performs a series of tests to check that the system is operating correctly and that certain options are set. This series of tests is called the *Power-On Self-Test*, or *POST*. POST does the following:

- Checks some basic system-board operations
- Checks that the memory is working correctly
- Starts video operations
- Verifies that the boot drive is working

POST Error Message	Description/Action
Keyboard error	Cannot initialize the keyboard. Make sure the keyboard is properly connected to the computer and that no keys are held pressed during POST. To purposely configure the computer without a keyboard, select Keyboardless operation in Startup option to Enabled . The BIOS then ignores the missing keyboard during POST.
Reboot and Select proper Boot device or Insert Boot Media in selected Boot device	The BIOS was unable to find a suitable boot device. Make sure the boot drive is properly connected to the computer. Make sure you have bootable media in the boot device.

Undetermined problems

1. Power-off the computer.
2. Remove or disconnect the following components (if connected or installed) one at a time.
 - a. External devices (modem, printer, or mouse)
 - b. Extended video memory
 - c. External Cache
 - d. External Cache RAM
 - e. Hard disk drive
 - f. Disk drive
3. Power-on the computer to re-test the system.
4. Repeat steps 1 through 3 until you find the failing device or component.

If all devices and components have been removed and the problem continues, replace the system board.

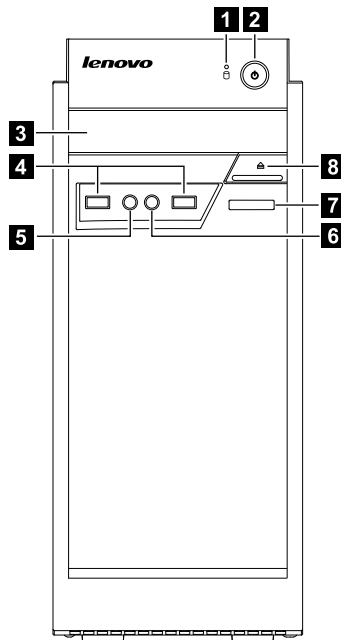
Chapter 7. Locating connectors, controls and components

This section provides illustrations to help locate the various connectors, controls and components of the computer.

Front view

The following illustration shows the location of controls and components on the front of the computer.

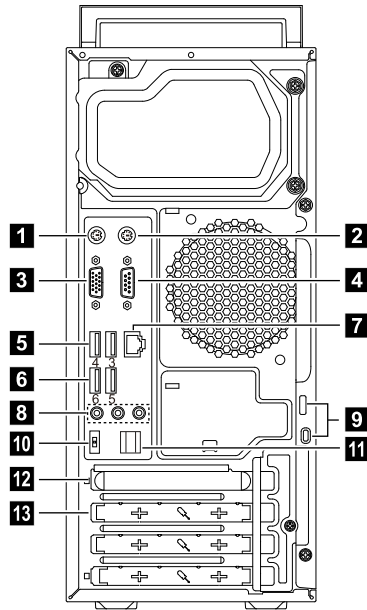
Attention: Be careful not to block any air vents on the computer. Blocked air vents can cause overheating.



1. Hard disk drive indicator	5. Headphone connector
2. Power button	6. Microphone connector
3. Optical Drive (selected models only)	7. Memory card reader (selected models only)
4. USB 2.0 connectors (2)	8. Optical drive eject button

Rear view

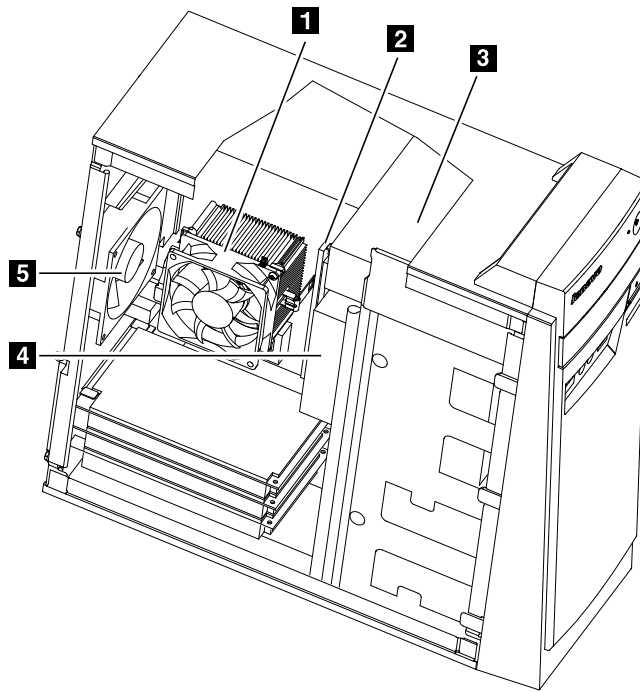
The following illustration shows the location of connectors and components on the rear of the computer.



1. PS/2 keyboard connector	8. Audio connectors
2. PS/2 mouse connector	9. Integrated cable lock (Kensington lock) slot & Padlock loop
3. Serial port	10. Power connector
4. VGA monitor connector	11. Cable clip
5. USB 2.0 connectors (2)	12. PCI Express X 16 graphics card slot
6. USB 3.0 connector	13. PCI Express X 1 card slot
7. Ethernet connector	

Hardware components

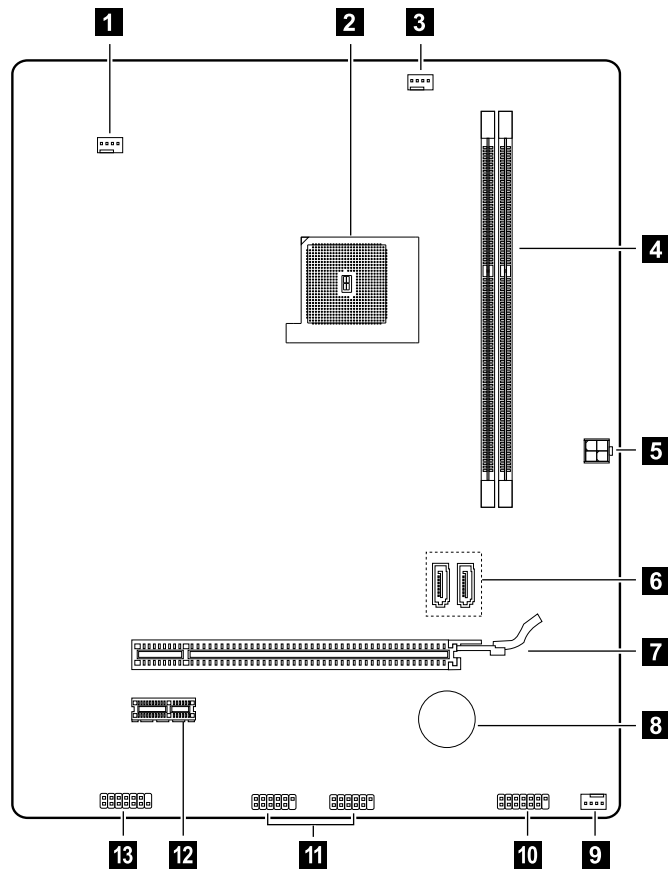
The following illustration shows the components that make up your computer.



1. Microprocessor fan and heatsink	4. Hard disk drive
2. Memory modules	5. System fan
3. Optical drive	

Identifying parts on the motherboard

The motherboard (sometimes called the planar or system board) is the main circuit board in your computer. It provides basic computing functions and supports a variety of devices that are factory-installed or that you can install later. The following illustration shows the location of connectors and components on the front of the motherboard.



1. Power fan header	8. Battery
2. CPU socket	9. System fan header
3. Microprocessor fan header	10. Front panel connector
4. Memory connector	11. Front USB connectors (2)
5. Hard disk and optical disk drive power connector	12. PCI express X 1 adapter slot
6. SATA connectors (2)	13. Front audio connector
7. PCI express X 16 adapter slot	

Chapter 8. Replacing hardware

Attention: Do not remove the computer cover or attempt any repair before reading the “Important safety information” in the Safety and Warranty Guide that was included with your computer. To obtain copies of the Safety and Warranty Guide, go to the Support Web site at: <http://consumersupport.lenovo.com>.

Note: Use only parts provided by Lenovo.

General information

Pre-disassembly instructions

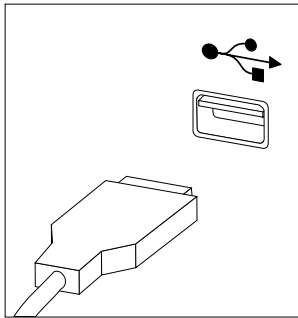
Before proceeding with the disassembly procedure, make sure that you do the following:

1. Turn off the power to the system and all peripherals.
2. Unplug all power and signal cables from the computer.
3. Place the system on a flat, stable surface.

Replacing the keyboard and mouse

To replace the keyboard and mouse

- Step 1. Remove any media (disks, CDs, DVDs or memory cards) from the drives, shut down the operating system, and turn off the computer and all attached devices.
- Step 2. Unplug all power cords from electrical outlets.
- Step 3. Disconnect all cables attached to the computer. This includes power cords, input/output (I/O) cables, and any other cables that are connected to the computer. Refer to “Left and right view” and “Rear view” for help with locating the various connectors.



Note: Your keyboard will be connected to a USB connector on one side or at the rear of the computer.

- Step 4. Disconnect the defective keyboard cable from the computer and connect the new keyboard cable to the same connector.

Note: The mouse can be replaced using the same method.

Removing the computer cover

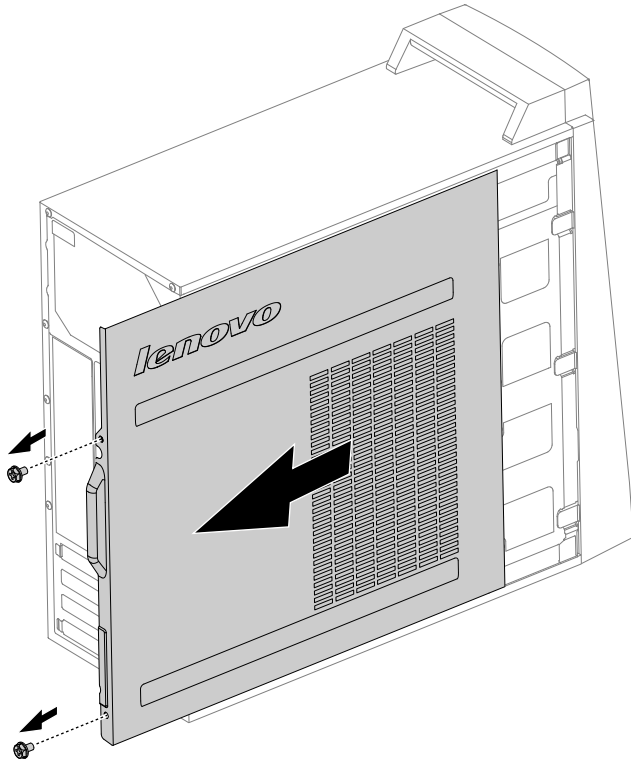
Attention: Turn off the computer and wait 3 to 5 minutes to let it cool down before removing the cover.

Note: It may be helpful to place the computer face-down on a soft flat surface for this procedure. Lenovo recommends that you use a blanket, towel, or other soft cloth to protect the computer screen from scratches or other damage.

To remove the computer cover:

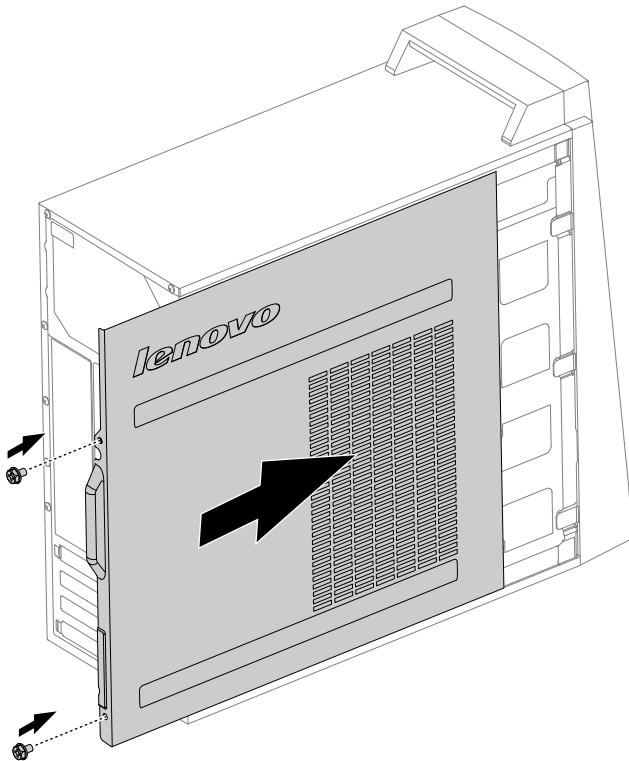
- Step 1. Remove any media (disks, CDs, DVDs, or memory cards) from the drives, shut down the operating system, and turn off the computer and all attached devices.
- Step 2. Unplug all power cords from electrical outlets.
- Step 3. Disconnect all cables attached to the computer. This includes power cords, input/output (I/O) cables, and any other cables that are connected to the computer. Refer to “Left and right view” and “Rear view” for help with locating the various connectors.

Step 4. Remove the 2 screws that secure the computer cover at the rear of the chassis.



Step 5. To reinstall the computer cover:

- a. Line up the computer cover with the chassis then slide it back.
- b. Secure the computer cover to the chassis with the screws.



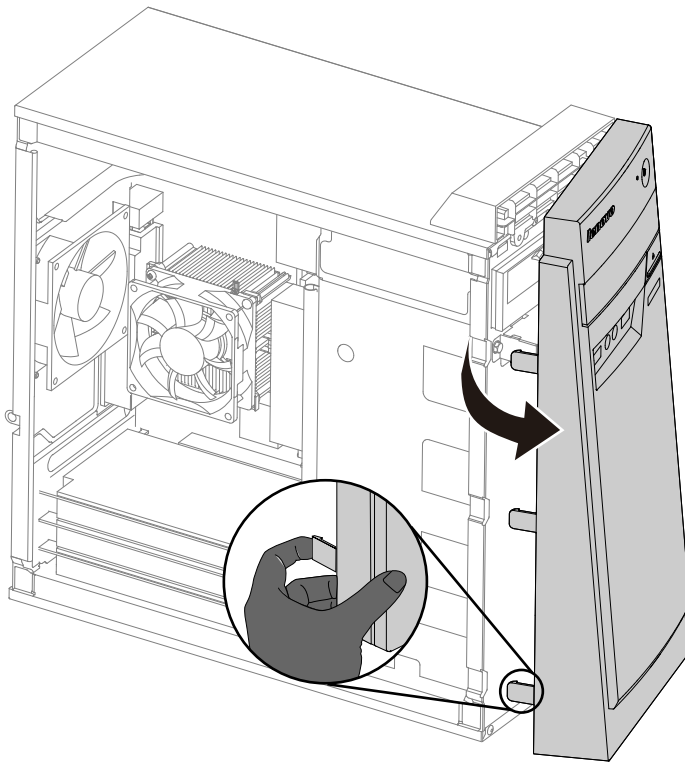
Removing the front bezel

Attention: Turn off the computer and wait 3 to 5 minutes to let it cool down before removing the cover.

Note: It may be helpful to place the computer face-down on a soft flat surface for this procedure. Lenovo recommends that you use a blanket, towel, or other soft cloth to protect the computer screen from scratches or other damage.

To remove the front bezel:

- Step 1. Remove any media (disks, CDs, DVDs, or memory cards) from the drives, shut down the operating system, and turn off the computer and all attached devices.
- Step 2. Unplug all power cords from electrical outlets.
- Step 3. Disconnect all cables attached to the computer. This includes power cords, input/output (I/O) cables, and any other cables that are connected to the computer. Refer to “Left and right view” and “Rear view” for help with locating the various connectors.
- Step 4. Remove the computer cover. Refer to “Removing the computer cover”.
- Step 5. Remove the front bezel by releasing the three plastic tabs inside the chassis and pushing the bezel outward as shown.



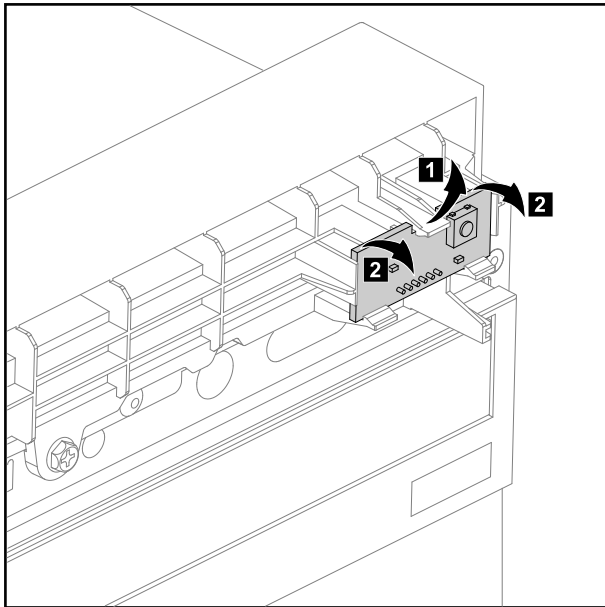
- Step 6. To reattach the bezel:
 - a. Align the plastic tabs on the bottom of the bezel with the corresponding holes in the chassis, and then snap it into position at the bottom and top of the chassis.
- Step 7. Reattach the computer cover.

Replacing the power switch board

Note: For this procedure, it helps to lay the computer flat.

To replace the power switch board:

- Step 1. Remove any media (disks, CDs, DVDs, or memory cards) from the drives, shut down the operating system, and turn off the computer and all attached devices.
- Step 2. Unplug all power cords from electrical outlets.
- Step 3. Disconnect all cables attached to the computer. This includes power cords, input/output (I/O) cables, and any other cables that are connected to the computer. Refer to “Left and right view” and “Rear view” for help with locating the various connectors.
- Step 4. Remove the computer cover. Refer to “Removing the computer cover”.
- Step 5. Remove the front bezel. Refer to “Removing the front bezel”.
- Step 6. Disconnect the data cable from the connector on the motherboard.
- Step 7. Lever up the lock pin and slide out the power switch board.



- Step 8. To install the new power switch board:
 - a. Connect the data cables to the motherboard.
 - b. Line up the new power switch board and push it until it locks into place.
- Step 9. Reattach the front bezel, then reattach the computer cover.

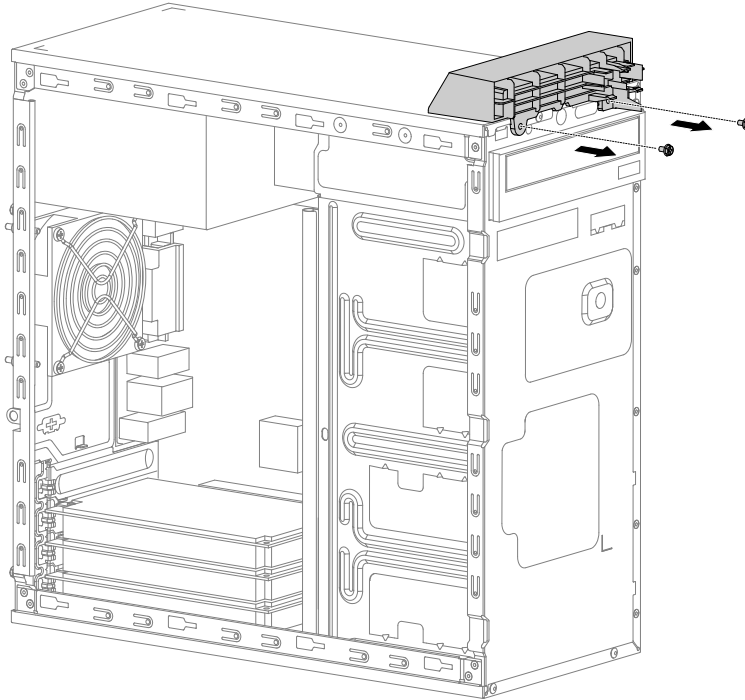
Replacing the chassis handle

Note: For this procedure, it helps to lay the computer flat.

To replace the chassis handle:

- Step 1. Remove any media (disks, CDs, DVDs, or memory cards) from the drives, shut down the operating system, and turn off the computer and all attached devices.
- Step 2. Unplug all power cords from electrical outlets.
- Step 3. Disconnect all cables attached to the computer. This includes power cords, input/output (I/O) cables, and any other cables that are connected to the computer. Refer to “Left and right view” and “Rear view” for help with locating the various connectors.
- Step 4. Remove the computer cover. Refer to “Removing the computer cover”.

- Step 5. Remove the front bezel. Refer to “Removing the front bezel”.
- Step 6. Disconnect the power switch board cable from the connector on the motherboard.
- Step 7. Remove the power switch board.
- Step 8. Remove the two screws that secure the chassis handle to the chassis and pull the chassis handle out.



- Step 9. To install the new chassis handle:
 - a. Line up the new chassis handle with the chassis and secure it with the two screws.
 - b. Install the power switch board.
- Step 10. Reattach the front bezel, then reattach the computer cover.

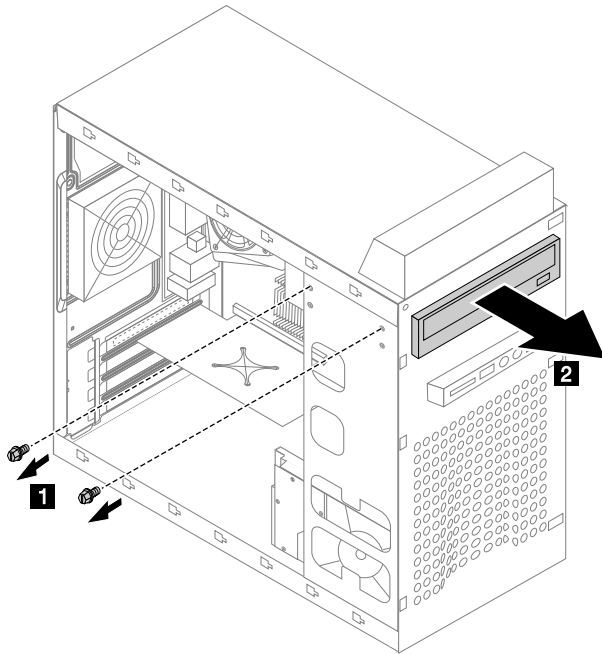
Replacing an optical drive

Note: For this procedure, it helps to lay the computer flat.

To replace an optical drive:

- Step 1. Remove any media (disks, CDs, DVDs, or memory cards) from the drives, shut down the operating system, and turn off the computer and all attached devices.
- Step 2. Unplug all power cords from electrical outlets.
- Step 3. Disconnect all cables attached to the computer. This includes power cords, input/output (I/O) cables, and any other cables that are connected to the computer. Refer to “Left and right view” and “Rear view” for help with locating the various connectors.
- Step 4. Remove the computer cover. Refer to “Removing the computer cover”.
- Step 5. Remove the front bezel. Refer to “Removing the front bezel”.

- Step 6. Disconnect the data and power cables from the rear of the optical drive.
- Step 7. Remove the 2 screws that secure the optical disk drive bay to the chassis. **1**
- Step 8. Slide out the optical disk drive out of the bay to remove it. **2**



- Step 9. To install the new optical drive:
- Slide the new optical drive into the bay from the back until it snaps into position.
 - Secure the optical drive to the bay with the two screws.
 - Connect the data and power cables to the drive.

Step 10. Reattach the front bezel, computer cover.

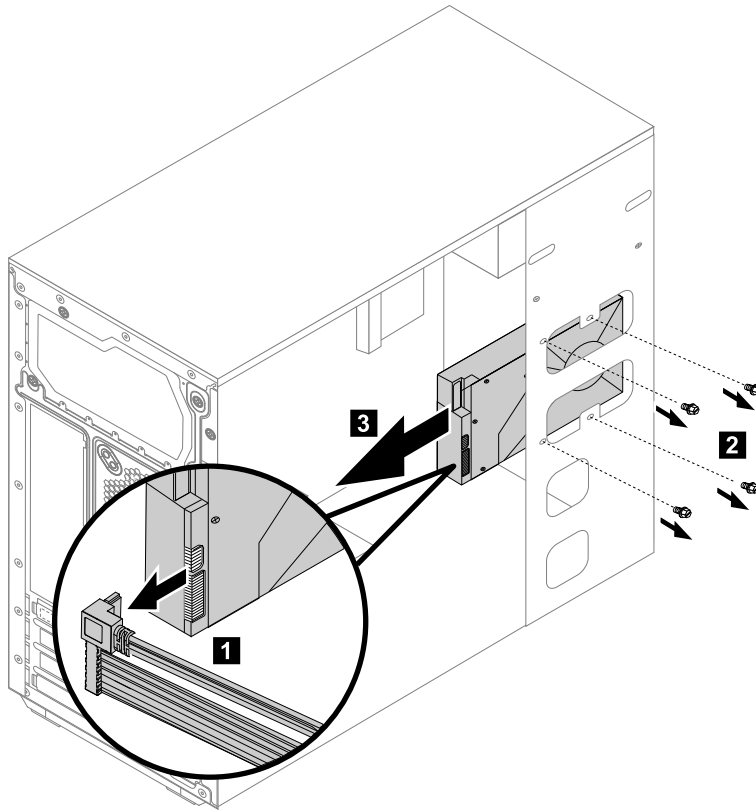
Replacing the hard disk drive

Note: For this procedure, it helps to lay the computer flat.

To replace the hard disk drive:

- Step 1. Remove any media (disks, CDs, DVDs, or memory cards) from the drives, shut down the operating system, and turn off the computer and all attached devices.
- Step 2. Unplug all power cords from electrical outlets.
- Step 3. Disconnect all cables attached to the computer. This includes power cords, input/output (I/O) cables, and any other cables that are connected to the computer. Refer to “Left and right view” and “Rear view” for help with locating the various connectors.
- Step 4. Remove the computer cover. Refer to “Removing the computer cover”.

- Step 5. Disconnect the data and power cables from the hard disk drive. **1**
- Step 6. Remove the four screws that secure the hard disk drive to drive bay. **2**
- Step 7. Remove the hard disk drive by pulling it straight out of the drive bay. **3**



- Step 8. To install the new hard disk drive :
- Slide the new hard disk drive into the drive bay.
 - Secure the new hard disk drive to the drive bay with the four screws.
 - Connect the power and data cables to the hard disk drive.
- Step 9. Reattach the computer cover.

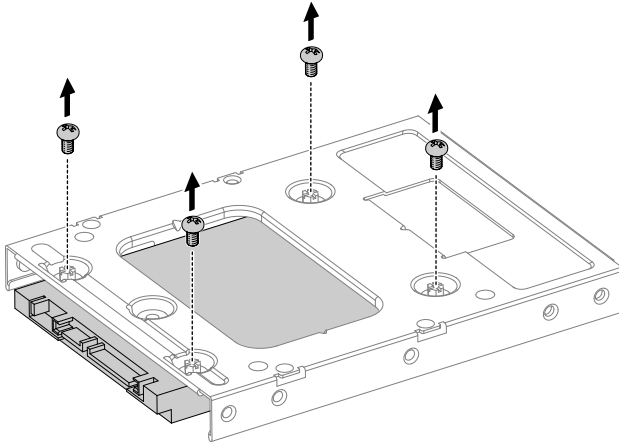
Replacing the solid state drive

Note: For this procedure, it helps to lay the computer flat.

To replace the solid state drive:

- Step 1. Remove any media (disks, CDs, DVDs, or memory cards) from the drives, shut down the operating system, and turn off the computer and all attached devices.
- Step 2. Unplug all power cords from electrical outlets.
- Step 3. Disconnect all cables attached to the computer. This includes power cords, input/output (I/O) cables, and any other cables that are connected to the computer. Refer to “Left and right view” and “Rear view” for help with locating the various connectors.
- Step 4. Remove the computer cover. Refer to “Removing the computer cover”.

- Step 5. Disconnect the data and power cables from the solid state drive.
- Step 6. Remove the four screws that secure the solid state drive assembly to drive bay.
- Step 7. Pull the solid state drive assembly out of the drive bay.
- Step 8. Remove the four screws that secure the solid state drive to the adapter bracket.



- Step 9. To install the new solid state drive :
 - a. Secure the new solid state drive to the adapter bracket with the four screws.
 - b. Slide the solid state drive assembly into the drive bay.
 - c. Secure the solid state drive assembly to the drive bay with the four screws.
 - d. Connect the power and data cables to the solid state drive.
- Step 10. Reattach the computer cover.

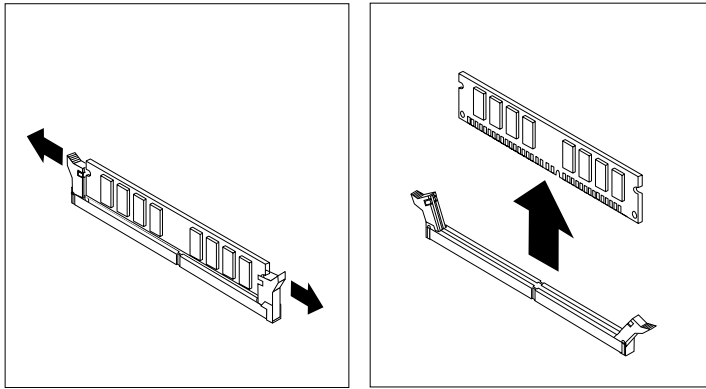
Replacing a memory module

Note: For this procedure, it helps to lay the computer flat.

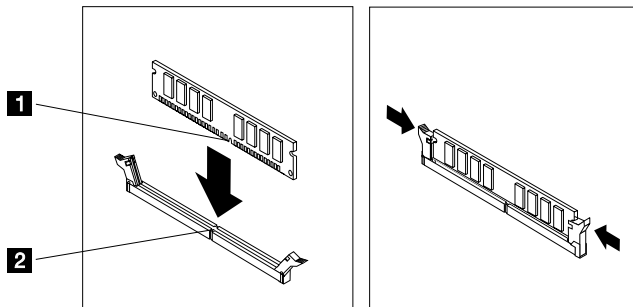
To replace an optical drive:

- Step 1. Remove any media (disks, CDs, DVDs, or memory cards) from the drives, shut down the operating system, and turn off the computer and all attached devices.
- Step 2. Unplug all power cords from electrical outlets.
- Step 3. Disconnect all cables attached to the computer. This includes power cords, input/output (I/O) cables, and any other cables that are connected to the computer. Refer to “Left and right view” and “Rear view” for help with locating the various connectors.
- Step 4. Remove the computer cover. Refer to “Removing the computer cover”.
- Step 5. Locate the memory module connectors. Refer to “Locating components”.

Step 6. Remove the memory module being replaced by opening the retaining clips as shown.



Step 7. Position the new memory module over the memory connector. Make sure the notch **1** on the memory module is correctly aligned with the connector key **2** on the system board. Push the memory module straight down into the connector until the retaining clips close.



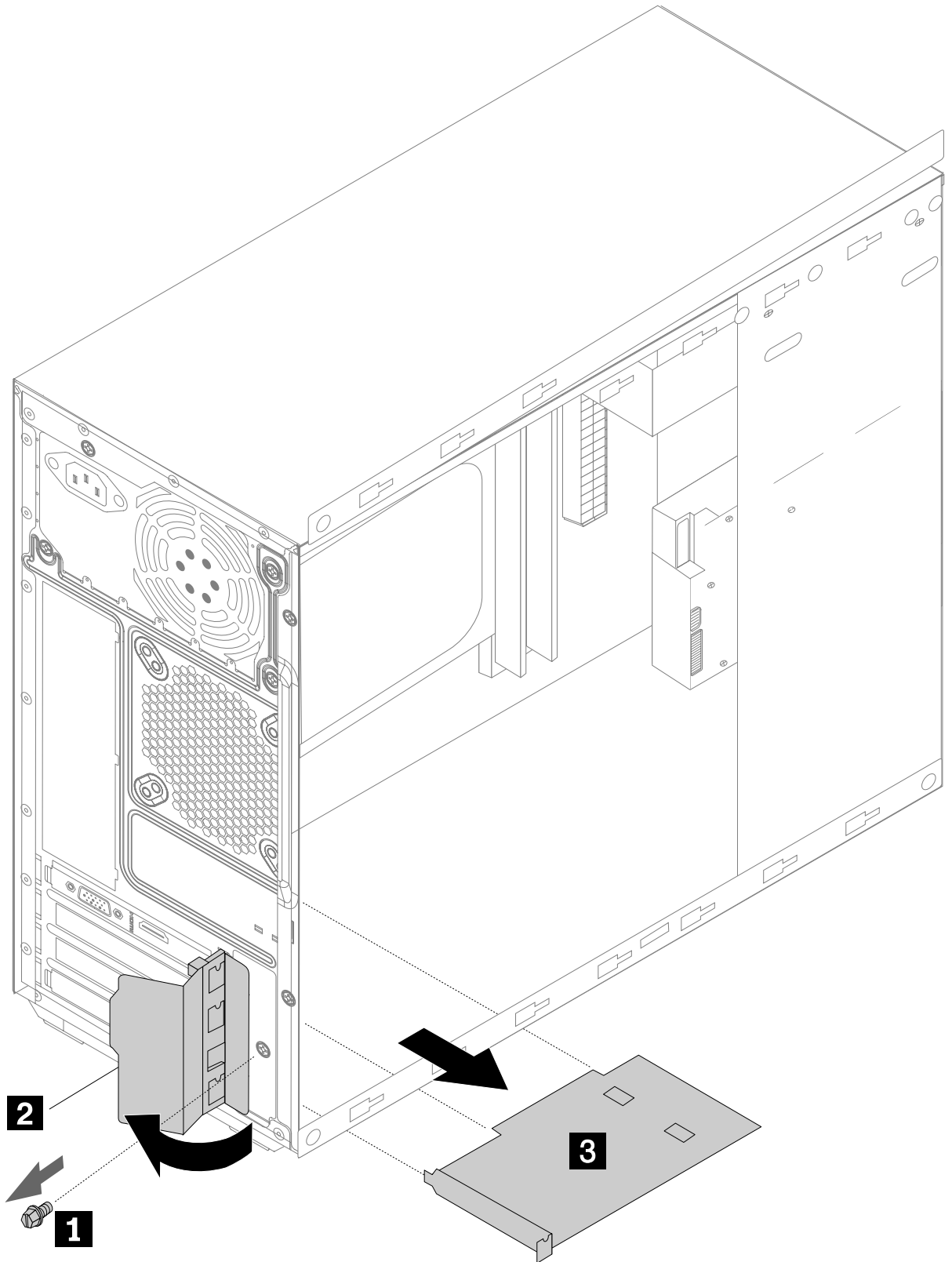
Step 8. Reattach the computer cover.

Replacing the graphic card

To replace the graphic card:

- Step 1. Remove any media (disks, CDs, DVDs, or memory cards) from the drives, shut down the operating system, and turn off the computer and all attached devices.
- Step 2. Unplug all power cords from electrical outlets.
- Step 3. Disconnect all cables attached to the computer. This includes power cords, input/output (I/O) cables, and any other cables that are connected to the computer. Refer to “Left and right view” and “Rear view” for help with locating the various connectors.
- Step 4. Remove the computer cover. Refer to “Removing the computer cover”.

Step 5. Remove the screw that secures the latch to the chassis, **1** open the adapter latch **2** and remove the adapter by pulling it straight out of the adapter connector. **3**



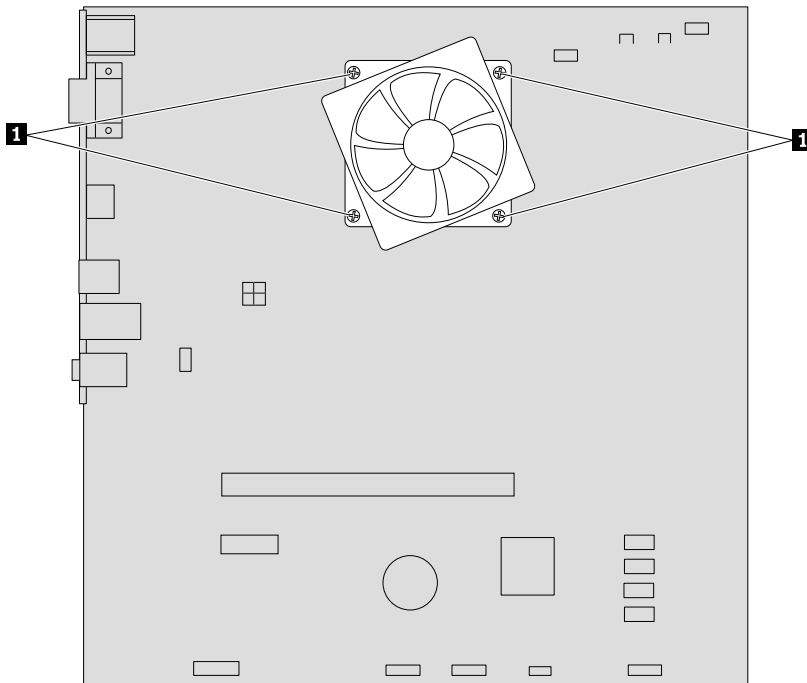
- Step 6. To install the new graphic card:
- Install the new adapter into the same adapter connector.
 - Reattach the metal bracket back into position and secure the graphic card to the chassis with the screw.
- Step 7. Reattach the computer cover.

Replacing the heat-sink assembly

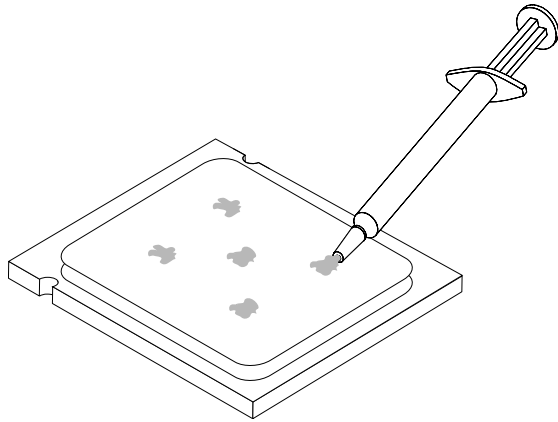
Note: For this procedure, it helps to lay the computer flat.

To replace the heat-sink:

- Step 1. Remove any media (disks, CDs, DVDs, or memory cards) from the drives, shut down the operating system, and turn off the computer and all attached devices.
- Step 2. Unplug all power cords from electrical outlets.
- Step 3. Disconnect all cables attached to the computer. This includes power cords, input/output (I/O) cables, and any other cables that are connected to the computer. Refer to “Left and right view” and “Rear view” for help with locating the various connectors.
- Step 4. Remove the computer cover. Refer to “Removing the computer cover”.
- Step 5. Disconnect the microprocessor fan cable from the system board.
- Step 6. Remove the 4 screws that secure the heat-sink assembly to the motherboard. **1**



- Step 7. Lift up the heat-sink to remove it.
- Step 8. To install the new heat-sink assembly:
- Use a thermal grease syringe to place five drops of grease on the top of the microprocessor. Each drop of grease should be 0.03ml (3 tick marks on the grease syringe).



- b. Line up the screws on the new heat-sink with mounting holes on the motherboard and secure it with the 4 screws.
- c. Reconnect the microprocessor fan power cable to the connector on the motherboard.

Step 9. Reattach the computer cover.

Replacing an AMD CPU

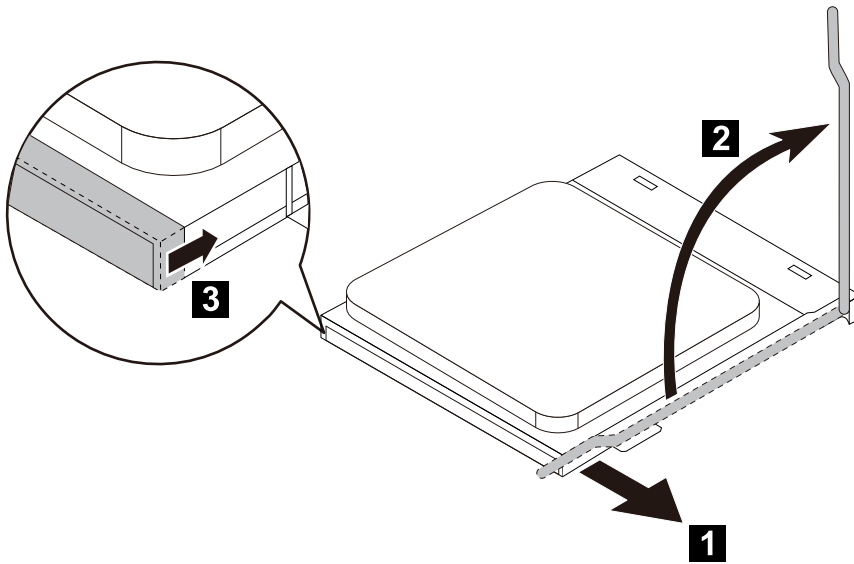
Note: For this procedure, it helps to lay the computer flat.

Attention: The following instructions apply only for Lenovo H50 – 05 model.

To replace the CPU

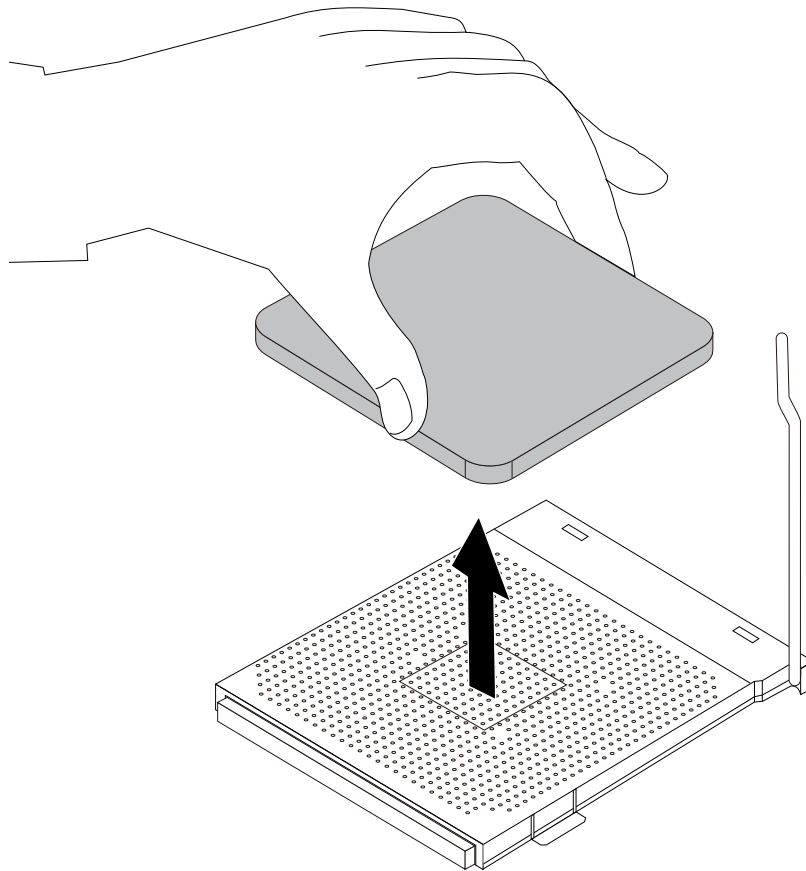
- Step 1. Remove any media (disks, CDs, DVDs, or memory cards) from the drives, shut down the operating system, and turn off the computer and all attached devices.
- Step 2. Unplug all power cords from electrical outlets.
- Step 3. Disconnect all cables attached to the computer. This includes power cords, input/output (I/O) cables, and any other cables that are connected to the computer. Refer to “Left and right view” and “Rear view” for help with locating the various connectors.
- Step 4. Remove the computer cover. Refer to “Removing the computer cover”.
- Step 5. Replacing the heat-sink assembly. Refer to “Replacing the heat-sink assembly”.

Step 6. Lift the small handle and open the retainer. **1 2 3**



Attention: Do not touch the gold contacts on the bottom of the microprocessor. When handling the microprocessor, touch only the sides.

Step 7. Lift the microprocessor straight up and out of the socket.



Attention: Do not touch the gold contacts on the bottom of the microprocessor. When handling the microprocessor, touch only the sides.

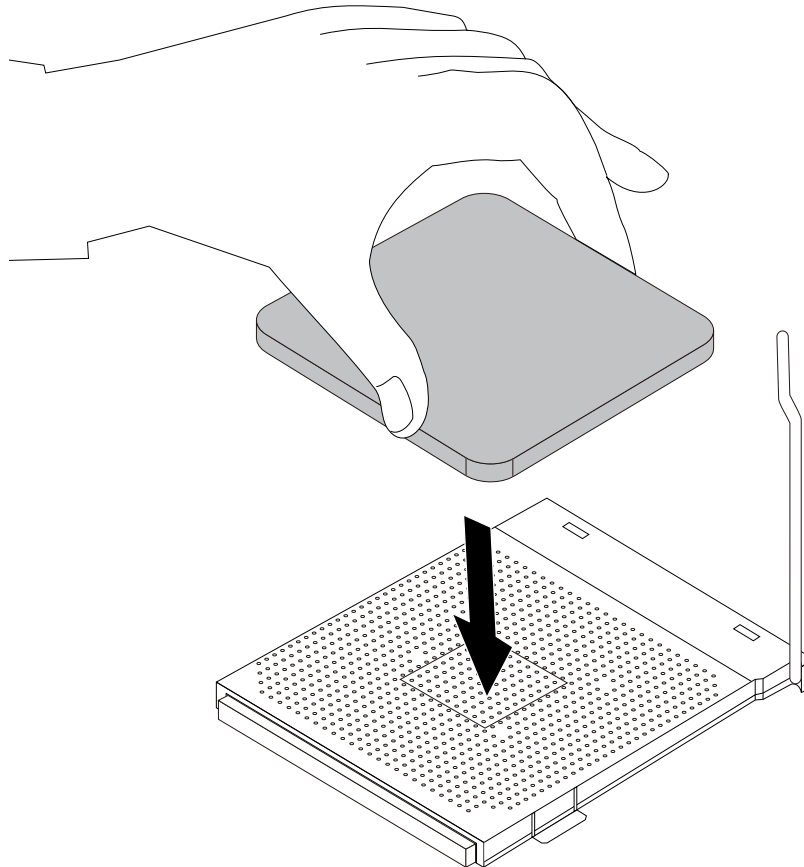
Note: Do not drop anything onto the microprocessor socket while it is exposed. The socket pins must be kept as clean as possible.

Step 8. Holding the sides of the microprocessor with your fingers, remove the protective cover that protects the gold contacts on the new microprocessor.

Step 9. Holding the sides of the microprocessor with your fingers, position the microprocessor so that the notches on the microprocessor are aligned with the tabs in the microprocessor socket.

Important: To avoid damaging the microprocessor contacts, keep the microprocessor completely level while installing it into the socket.

Step 10. Lower the microprocessor straight down into its socket on the motherboard.



Step 11. To secure the microprocessor in the socket, close the microprocessor retainer and lock it into position with the small handle.

Step 12. Use a thermal grease syringe to place 5 drops of grease on the top of the microprocessor. Each drop of grease should be 0.03ml (3 tick marks on the grease syringe).

Step 13. Reattach the heat-sink assembly and the computer cover.

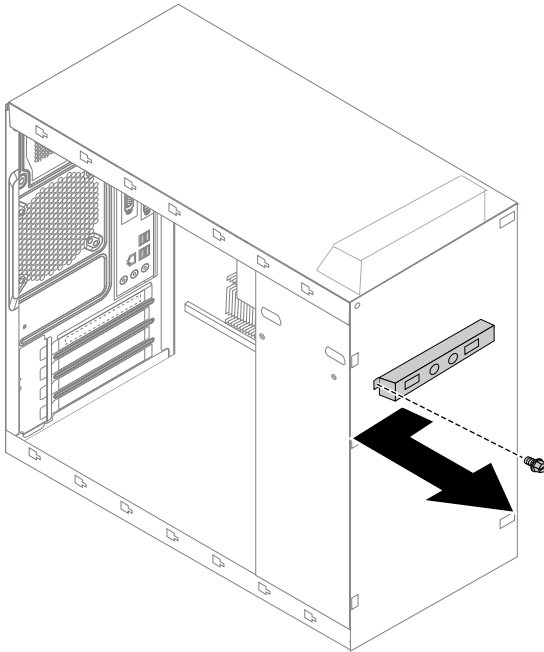
Replacing the front I/O board

Note: For this procedure, it helps to lay the computer flat.

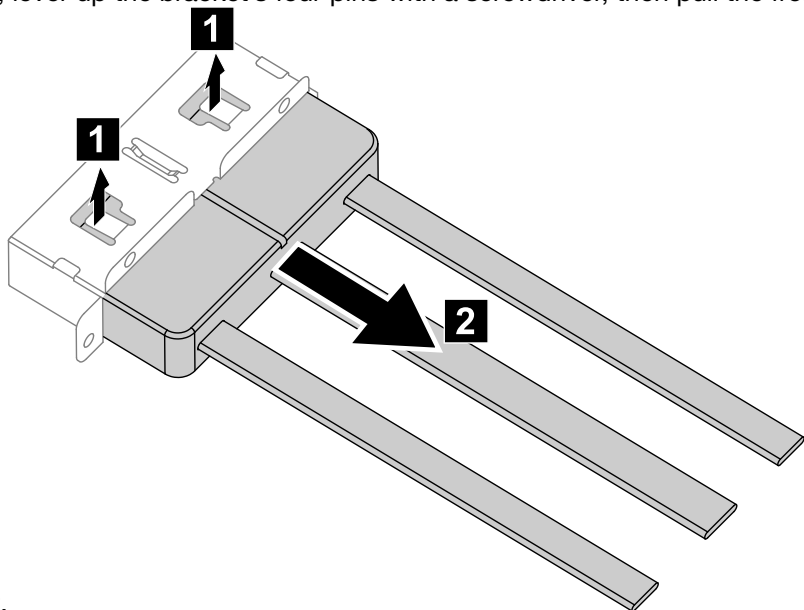
To replace the front I/O board:

- Step 1. Remove any media (disks, CDs, DVDs, or memory cards) from the drives, shut down the operating system, and turn off the computer and all attached devices.
- Step 2. Unplug all power cords from electrical outlets.
- Step 3. Disconnect all cables attached to the computer. This includes power cords, input/output (I/O) cables, and any other cables that are connected to the computer. Refer to “Left and right view” and “Rear view” for help with locating the various connectors.
- Step 4. Remove the computer cover. Refer to “Removing the computer cover”.
- Step 5. Remove the front bezel. Refer to “Removing the front bezel”.

- Step 6. Disconnect the data cables from the connectors on the motherboard.
- Step 7. Remove the screw that secures the front I/O assembly to the chassis.
- Step 8. Slide the I/O assembly out of the chassis.



- Step 9. To remove the USB bracket, lever up the bracket's four pins with a screwdriver, then pull the front



I/O board out of the bracket.

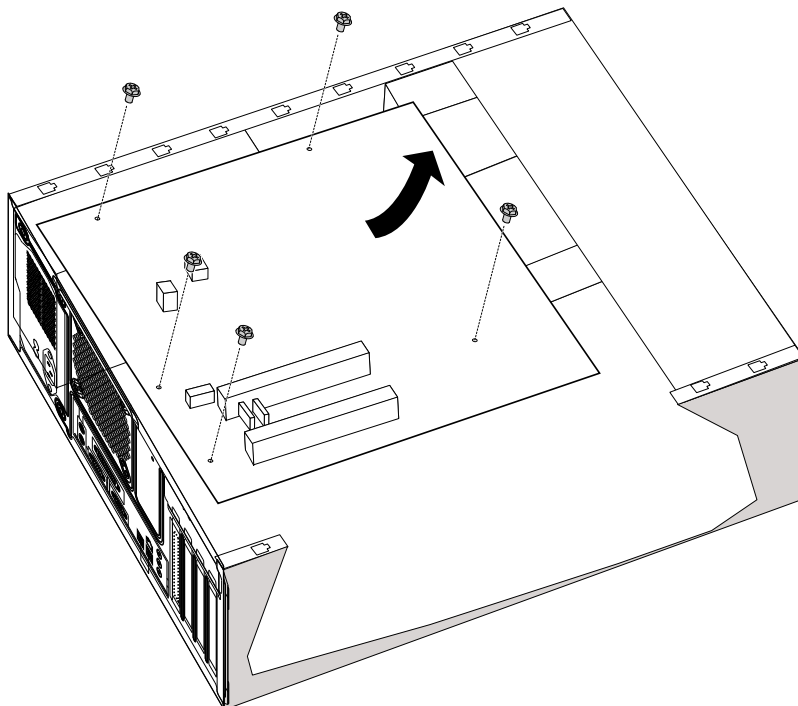
- Step 10. To install the new front I/O board:
- Push the new front I/O board into the bracket, then press down the four clips until they lock into place.
 - Slide the front I/O assembly in and secure it with the screw.
 - Connect the data cables to the motherboard.
- Step 11. Reattach the front bezel, then reattach the computer cover.

Replacing the motherboard

Note: For this procedure, it helps to lay the computer flat.

To replace the motherboard:

- Step 1. Remove any media (disks, CDs, DVDs, or memory cards) from the drives, shut down the operating system, and turn off the computer and all attached devices.
- Step 2. Unplug all power cords from electrical outlets.
- Step 3. Disconnect all cables attached to the computer. This includes power cords, input/output (I/O) cables, and any other cables that are connected to the computer. Refer to “Left and right view” and “Rear view” for help with locating the various connectors.
- Step 4. Remove the computer cover. Refer to “Removing the computer cover”.
- Step 5. Remove the front bezel. Refer to “Removing the front bezel”.
- Step 6. Remove the memory module. Refer to “Replacing a memory module”.
- Step 7. Remove the heat-sink assembly. Refer to “Replacing the heat-sink assembly”.
- Step 8. Remove the graphic card. Refer to “Replacing the graphic card”.
- Step 9. Remove the system fan. Refer to “Replacing the system fan”.
- Step 10. Disconnect the all cables from the connectors on motherboard.
- Step 11. Remove the 5 screws that secure the motherboard to the chassis.
- Step 12. Lift up the motherboard to remove it.



Step 13. Install the new motherboard:

- a. Line up the holes on the new motherboard with mounting holes on the chassis and secure it with screws.
- b. Reattach the memory module, Wi-Fi card, heat-sink assembly to the new motherboard.
- c. Connect the all cables to the new motherboard.

d. Reattach the hard disk drive, optical drive, graphic card and the TV-Tuner card.

Step 14. Reattach the computer cover.

Chapter 9. FRU lists-E50-05

This chapter lists the information on the field replaceable units (FRUs).

Attention: Be sure to read and understand all the safety information before replacing any FRUs.

Notes: FRUs that have a 1 or 2 in the CRU column are Customer Replaceable Units (CRUs).

- **1**– identifies parts that are fairly simple to replace, requiring few or no tools.
- **2**– identifies parts that are slightly more difficult to replace.
- **N**– identifies parts that are not to be replaced by the customer.

Item #	Description	Lenovo PN	CRU #
	CPU		N
	SEMPRON_X4_3850_1.3G	00PC393	
	SEMPRON_X2_2670_1.8G	00PC394	
	SEMPRON_X2_2650_1.45G	00PC395	
	ATHLON_X4_5150_1.60G	00PC396	
	ATHLON_X4_5350_2.05G	00PC397	
	ATHLON_X4_5370_2.20G	00PC398	
	ATHLON_X4_530_2.0G	00PC399	
	ATHLON_X4_550_2.2G	00PC400	
	BDPLANAR		N
	NOK M B85 MATX Planar	90003258	
	W8S M B85 MATX Planar	90003259	
	W8P M B85 MATX Planar	90003260	
	NOK E kabini socket Planar	5B20G75298	
	W8S E kabini socket Planar	5B20G75297	
	W8P E kabini socket Planar	5B20G75296	
	Dangle		N
	LX 200mmHDMI to DVI-D-S cable(R)	31041295	
	200mmDP_DVI dangle(R)	31034577	
	DP to HDMI dangle	11012886	
	PCIE device		N
	Bitland88E8070 @1000M PCIE ASF NC FH®	11012896	
	Cardreader		N
	Bitland RTS5179 7in1 L_Single_CR	11201223	
	Taisol GL827S 7in1 L_Single_CR	11201222	
	Code lock		N
	HH coded lock for 321	31045019	

Item #	Description	Lenovo PN	CRU #
	Case open		N
	JT LX-321AT alarm component	31043439	
	314 PSU bezel		N
	JT 314 psu shield	31506508	
	MX ATX psu shield	31506616	
	MX ATX psu shield	31506840	
	MX adapter platstic cage	31506841	
	BRACKET		N
	HH 2.5 cun HDD turn 3.5 cun HDD shield®	31035099	
	HH QT-B card reader bracket	5B40H41996	
	HH QT-M card reader bracket	5B40H41998	
	CABLE		N
	Luxshare LI300mm Rear 2口USB cable II HP®	31026131	
	LX 250mm SATA cable 2 latch	31043145	
	GS 250mm SATA cable 2 latch	31043146	
	Luxshare SATA cable, 285mm, 1 angle, no latch,RoHS	31032989	
	Grandsun SATA cable, 285mm, 1 angle,no latch, RoHS	31033053	
	CL 2H420mmSATA calbe Latch(R)	31506478	
	LX 2H420mmSATA calbe Latch(R)	31024760	
	MGE 2H420mmSATA calbe Latch(R)	31506479	
	LS USB2.0 F_IO cable_U500A600_321HT	31507416	
	CL USB2.0 F_IO cable_U500A600_321HT	31507417	
	Luxshare SATA power cable(210_170_180)	31501074	
	COVER		
	Rear io cover	31043445	
	Graphics		N
	MSI @Geforce GT630@2G/B/DVI/DP VGA	11202534	
	MGE DVI-VGA connector	31503273	
	VIDEO_CARD B@Geforce GT 705@512M/A/DB/H	00KT347	
	VIDEO_CARD M@Geforce GT 705@512M/A/DB/H	00KT347	
	Bitland@Geforce GT 705@1G/A/DB/H]VGA	11202742	
	Luxshare DVI-VGAconnector®	31038625	
	MSI@R5 235@512M/A/DB/H VGA	11202541	
	BLD@R5 235@512M/A/DB/H VGA	11202543	
	Bitland@R5 235@1G/A/DB/H VGA	11202403	
	MSI@R5 235@1G/A/DB/H VGA	11202404	

Item #	Description	Lenovo PN	CRU #
	Chassis		N
	HH LX-321JT Chassis	5C80G79823	
	HH LX-321JT Chassis F/Bezel	5CB0G79827	
	HH LX-321JT USB & I/O Bracket	5B40G79821	
	HH LX-321JT Chassis Handle	5B40G79825	
	LS LED_SW cable 650mm_321JT	00PC401	
	MGE LED_SW cable 650mm_321JT	00PC401	
	Rear I/O shield		N
	JT Kabini Socket rear IO shield	5B40H41997	
	Thermal		N
	AMD Kabini 25W CPU Cooler for 20L;AVC	00PC402	
	AMD Kabini 25W CPU Cooler for 20L;TSL	00PC402	
	FOX PV902512PSPF 0J-G-2 9225 Sysfan(R)	31039640	
	AVC DS09225R12HP183 9225 Sysfan(R)	31039310	
	Adapter		1
	Delta ADP-65FD BE 65W adapter	36200352	
	Liteon PA-1650-72IA 65W adapter	36200353	
	DELTA ADP-90XD BC 90W common adapter ®	36200415	
	Liteon PA-1900-72IA 90w common adapter®	36200416	
	DELTA ADP-120ZB BBHT common 120W adapter	36200439	
	Liteon PA-1121-04LB 120w common adapter	36200440	
	HDD		1
	WD XL500A 6G Damper	16200542	
	Seagate Pharaoh 4K-Non-MC	16200672	
	WDXL500A WD5000AAKX08U6AA0 500G HDDLH	16200544	
	Seagate Pharaoh 4K ST500DM002 500G HDDLH	16200674	
	TSB Mars 4K 500G DT01ACA050 LH	16200512	
	Seagate Grenada BP 2	16200688	
	WD XL1000B WD10EZEX-08M2NA0 1TB HDD	16200613	
	TSB Mars 4K 1TB DT01ACA100 LH	16200513	
	Seagate Grenada BP 2	16200689	
	Toshiba Mars 4K 2TB DT01ACA200 HDD-LH	16200514	
	SS MZ7TE128HMGR 128G 2.5" SSD	16200604	
	SSD_ASM 2.5" L9S-128 6Gb/s	00KT002	
	SS MZ7TE256HMHP 256G 2.5" SSD	16200605	
	SSD_ASM 2.5" L9S-256 6Gb/s	00KT003	

Item #	Description	Lenovo PN	CRU #
	ODD		1
	TSST 16XSH-116CB SATA DVDROM-LH	25216227	
	HLDS DH60N HH SATA DVD-ROM-LH	25216229	
	PSN SW440 HH SATA DVDROM-LH	25216356	
	PLDS 16XDH-16D8SH HH SATA DVDROM-LH	25216228	
	PLDS 16XDH-16AESH SATA black DVDRW-LH(LSOPU)	25213061	
	TSST SH-216DB HH SATA Rambo Odd-LH	25213720	
	HLDS GHC0N HH SATA Rambo-LH	25216358	
	Panasonic SW840 HH SATA DVDRW-LH	71Y5545	
	RAM		1
	M378B5773QB0-CK0 2GB D3 -1600 Memory-HF	1100908	
	HMT425U6AFR6C-PB 2GB D3 -1600 Memory-HF	1100653	
	MT4JTF25664AZ-1G6E1 2GB D3-1600 Memory	1100954	
	Mic_R D9PXV 2GB D3L-1600 Memory	03T6580	
	M378B5173DB0-CK0 4GB D3 -1600 Memory-HF	1100944	
	HMT451U6BFR8C-PB 4GB D3-1600 Memory-HF	1100988	
	MT8JTF51264AZ-1G6E1 4GB D3-1600 Memory	1100955	
	MemoryM378B5173EB0-CK0 4GB D3-1600	03T6566	
	Elp_R J4208EFBG-GN-F 4GB D3L-1600 Memory	1101071	
	M378B1G73DB0-CK0 8GB D3 -1600 Memory-HF	1100945	
	HMT41GU6BFR8C-PB 8GB D3-1600 Memory-HF	1100989	
	MT16JTF1G64AZ-1G6E1 8GB D3-1600 Memory	1100669	
	Mic_R D9QBJ 8GB D3L-1600 Memory-HF	1101011	
	KB & Mouse		1
	Primax LXB-MOEUJO(Silver) USB Mouse	25011475	
	Primax MOEUJOA USB Mouse(Silver)	45J4889	
	Logitech LXB-M-U0025-O(Silver) USB Mouse	25011476	
	Newmen MS-370 mouse silver logo	25216222	
	Lite-On SK8825 USB KB (R) Win8	25209248	
	NetVista USB Belgium EN 120	00PC225	
	NetVista USB Czech (ABB) 489	00PC229	
	NetVista USB US Euro103P	00PC260	
	NetVista USB French 189	00PC232	
	NetVista USB French CA 445	00PC233	
	NetVista USB German 129	00PC235	
	NetVista USB Italy 141	00PC241	
	NetVista USB RU/Cyrillic 441	00PC250	
	NetVista USB Spanish 172	00PC253	

Item #	Description	Lenovo PN	CRU #
	NetVista USB Thailand 191	00PC256	
	NetVista USB UK English 166	00PC259	
	NetVista USB India	00PC264	
	NetVista USB Nordic	00PC267	
	Power Cord		1
	Longwell B LACK single head 1.0M 3wire ULCSA Power Cord	31033857	
	Volex 1.0M C5 US Power Cord	31033858	
	Luxshare 1.0M C5 US Power Cord	31049517	
	Grandsun B LACK single head 1.0M 3wire CCC Power Cord(R)	31032953	
	Luxshare 1.0M C5 CCC Power Cord	31045147	
	Longwell B LACK single head 1.0M ASTA Power Cord	31035396	
	Volex 1.0M C5 UK Power Cord	31049496	
	Luxshare 1.0M C5 UK Power Cord	31503352	
	Longwell B LACK single head 1.0M VDE Power Cord	31035332	
	Volex 1.0M C5 Europe Power Cord	31049497	
	Luxshare 1.0M C5 Europe Power Cord	31049518	
	Longwell B LACK single head 1.0M India Power Cord	31035395	
	Luxshare 1.0M C5 India Power Cord	31503353	
	Longwell B LACK single head 1.0M Italy C5 Power Cord®	31039104	
	Volex 1.0M C5 Italy Power Cord	31049504	
	Luxshare 1.0M C5 Italy Power Cord	31503359	
	Longwell B LACK single head 1.0M Denmark C5 Power Cord®	31039101	
	Volex 1.0M C5 Denmark Power Cord	31049503	
	Luxshare 1.0M C5 Denmark Power Cord	31503360	

Chapter 10. General information

This chapter provides general information that applies to all machine types supported by this publication.

Additional Service Information

This chapter provides additional information that the service representative might find helpful.

Power management

Power management reduces the power consumption of certain components of the computer such as the system power supply, processor, hard disk drives, and some monitors.

Advanced configuration and power interface (ACPI) BIOS

As this computer has an ACPI BIOS system, the operating system is allowed to control the power management features of the computer and the settings for Advanced Power Management (APM) BIOS mode is ignored. Not all operating systems support ACPI BIOS mode.

Automatic Power-On features

The Automatic Power-On features within the Power Management menu allow you to enable and disable features that turn on the computer automatically.

- **Wake Up on Alarm:** You can specify a date and time at which the computer will be turned on automatically. This can be either a single event , a daily event or a weekly event.
- **Wake Up on LAN:** This feature allows LAN adapter card to wake the System.