

Operating instructions

Condenser tumble dryer



To avoid the risk of accidents or damage to the appliance, it is **essential** to read these instructions before it is installed and used for the first time.

Caring for the environment

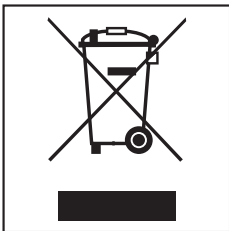
Disposal of the packing material

The packaging is designed to protect the appliance from damage during transportation. The packaging materials used are selected from materials which are environmentally friendly for disposal and should be recycled.

Recycling the packaging reduces the use of raw materials in the manufacturing process and also reduces the amount of waste in landfill sites. Ensure that any plastic wrappings, bags etc. are disposed of safely and kept out of the reach of babies and young children. Danger of suffocation.

Disposing of your old appliance

Electrical and electronic appliances often contain materials which, if handled or disposed of incorrectly, could be potentially hazardous to human health and to the environment. They are, however, essential for the correct functioning of your appliance. Therefore, please do not dispose of your old appliance with your household waste.



Please dispose of it at your local community waste collection / recycling centre.

Ensure that your old appliance presents no danger to children while being stored for disposal.

Energy saving tips

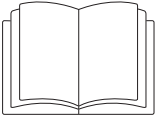
To avoid unnecessarily long drying times and high consumption of energy:

- Make sure that your laundry is thoroughly spun before drying. The higher the spin speed, the greater the savings that can be made in energy and time during drying, e.g. approx. 30% energy can be saved if spun at 1600 rpm instead of 1000 rpm.
- Load according to the optimum amount of laundry recommended for the programme being used. Underloading is uneconomical. Overloading gives a poorer quality of drying and may cause unnecessary creasing.
- Make sure the room temperature is not too high. If there are other heat producing appliances in the room in which the tumble dryer is located, make sure the room is well-ventilated and switch the other appliances off, if possible.
- After every cycle remove the fluff from the fluff filters in the door and in the door opening.
- Check the condenser unit once a year and clean it if necessary.

Caring for the environment	2
Warning and Safety instructions	5
Operating the tumble dryer	13
Control panel	13
Before using for the first time	14
Laundry care	15
How to dry correctly	16
Brief instructions	16
Changing the programme sequence	18
Programme chart	19
Cleaning and care	22
Emptying the condensed water container	22
Cleaning the fluff filters	23
Cleaning the fluff filters without water	23
Cleaning the fluff filters with water	24
Refitting the fluff filters	24
Tumble dryer	25
Cleaning the condenser unit	26
Opening the service panel	26
Checking the heat exchanger unit	27
Cleaning the condenser unit	27
Refitting the condenser unit	29
Problem solving guide	30
Problem solving guide	30
Check and fault messages	30
Unsatisfactory drying results	32
Other problems	33
Changing the lamp	35
After sales service	36
Repairs	36
Optional accessories	36
Warranty	36

Contents

Installation and connection	37
Front view	37
Rear view	38
Installation site.....	38
Transporting the machine to its installation site	38
Building under a continuous worktop / in a kitchen run.....	39
Washer and dryer stack	39
Levelling the dryer	39
Room ventilation	40
Before moving the tumble dryer again (e.g. when moving house).....	40
Electrical connection	41
Externally draining condensed water	42
Arranging the drain hose	42
External drainage via a sink or gully	43
Installation conditions requiring a non-return valve	44
Consumption data	46
Technical data	47
Programmable functions	49
Extending the range of the drying level for the "Cottons" programme	49
Extending the drying level for the "Minimum iron" programme	50
Anti-crease	51
Switching the buzzer on/off.....	52
Altering the standard drying level in the "Automatic plus" programme	53
Extending the cooling down time	54
Standby	55
Clean out airways indicator	57
Adjusting the dryer's electronics for very soft water	58



- ▶ It is essential to read these instructions.

This tumble dryer complies with current local and national safety requirements. Inappropriate use can, however, lead to personal injury and damage to property.

To avoid the risk of accidents and damage to the tumble dryer, please read these instructions carefully before using it for the first time. They contain important information on its safety, installation, use and maintenance.

Keep these instructions in a safe place and ensure that new users are familiar with the content. Pass them on to any future owner.

Correct application

- ▶ This tumble dryer is designed for domestic use and for use in similar environments by guests in hotel or motel rooms, bed & breakfasts and other typical living quarters. This does not include common/shared facilities or commercial facilities within hotels, motels or bed & breakfasts.
 - ▶ This tumble dryer is not suitable for outdoor use.
 - ▶ It must only be used to dry items which have been washed in a water solution and which are marked on the manufacturer's care label as being suitable for tumble drying. If using dry cleaning kits, do so at your own risk, and follow the instructions provided on the packaging.
- Any other applications may be dangerous. Miele cannot be held liable for damage resulting from incorrect or improper use or operation.

Warning and Safety instructions

▶ This appliance is not intended for use by persons (including children) with reduced physical, sensory or mental capabilities, or lack of experience or knowledge, unless they are supervised whilst using it or have been shown how to use it by a person responsible for their safety.

Safety with children

- ▶ Young children must not be allowed to use this appliance.
- ▶ Older children may only use the appliance when its operation has been clearly explained to them and they are able to use it safely, recognising the dangers of misuse.
- ▶ Children must not be allowed to clean or maintain the tumble dryer unsupervised.
- ▶ Please supervise children in the vicinity of the tumble dryer and do not let them play with it.

Technical safety

- ▶ Before setting up the tumble dryer, check it for any externally visible damage.
Do not install or use a damaged tumble dryer.
- ▶ Before connecting the tumble dryer, ensure that the connection data on the data plate (fuse rating, voltage and frequency) matches the mains electricity supply. If in any doubt, consult a qualified electrician.
- ▶ Reliable and safe operation of this tumble dryer can only be assured if it has been connected to the mains electricity supply.
- ▶ The electrical safety of this tumble dryer can only be guaranteed when correctly earthed. It is essential that this standard safety requirement is met. If in any doubt, please have the household wiring system tested by a qualified electrician. Miele cannot be held liable for the consequences of an inadequate earthing system (e.g. electric shock).

Warning and Safety instructions

- ▶ Do not connect the tumble dryer to the mains electricity supply by an extension lead. Extension leads do not guarantee the required safety of the appliance (e.g. danger of overheating).
- ▶ If the connection cable is faulty, it must only be replaced by a Miele approved service technician to protect the user from danger.
- ▶ Unauthorised repairs could result in unforeseen dangers for the user, for which Miele cannot accept liability. Repairs should only be undertaken by a Miele authorised service technician, otherwise any subsequent damage will not be covered by the warranty.
- ▶ Faulty components must only be replaced by genuine Miele spare parts. Miele can only guarantee the safety of the appliance when Miele replacement parts are used.
- ▶ In the event of a fault or for cleaning purposes, the tumble dryer is only completely isolated from the electricity supply when:
 - it is switched off at the wall socket and the plug is withdrawn, or
 - it is switched off at the mains circuit breaker.
- ▶ This tumble dryer must not be installed and operated in mobile installations (e.g. on a ship).
- ▶ Do not make any alterations to the tumble dryer, unless authorised to do so by Miele.
- ▶ Please observe the instructions in "Installation and connection" and "Technical data".
- ▶ The accessibility of the plug must be always ensured in order to separate the tumble dryer from the mains.
- ▶ Do not block the gap between the bottom of the tumble dryer and the floor with plinth facings, deep pile carpet etc. This would hinder a sufficient flow of air to the tumble dryer.
- ▶ Make sure the dryer door can be opened without hindrance after installation.


Warning and Safety instructions

► This tumble dryer is supplied with a special lamp to cope with particular conditions (e.g. temperature, moisture, chemical resistance, abrasion resistance and vibration). This special lamp must only be used for the purpose for which it is intended. It is not suitable for room lighting.


Correct use



READ THE INSTRUCTIONS

 Caution! Risk of fire.

To avoid the possible danger of fire, please read these warnings carefully.

 A clogged filter is a fire hazard!
The fluff filter must be cleaned after every programme.

► The maximum load for this tumble dryer is 7.0 kg (dry weight). See the "Programme chart" for the maximum recommended loads for individual programmes.

► To prevent the risk of fire, do not connect the tumble dryer via a controllable socket (e.g. a timer or a peak-load switch-off device). If the drying programme is interrupted before the end of the cooling down phase, this could cause the laundry to self-ignite.

Warning and Safety instructions

▶ Oil-affected items can ignite spontaneously, especially when exposed to heat sources such as in a tumble dryer.

The items become warm, causing an oxidation reaction in the oil. Oxidation creates heat.

If the heat cannot escape, the items can become hot enough to catch fire. Piling, stacking or storing oil-affected items can prevent heat from escaping and so create a fire hazard.

If it is unavoidable that fabrics contaminated with vegetable or cooking oil, or hair care products, be placed in a tumble dryer, they should first be washed in hot water with extra detergent - this will reduce, but not eliminate, the hazard.

▶ To prevent the risk of fire, the following textiles must not be dried in this tumble dryer:

- Items which have not been washed.
- Items, such as workwear, which have not been thoroughly cleaned and which are still soiled with grease, oil or other desposits (such as cosmetics, lotions etc). If items have not been thoroughly cleaned, there is a danger that these might ignite when heated, even after they have been removed from the dryer at the end of the programme.
- Items that have been soiled with substances such as cooking oil, acetone, petrol, kerosene, spot removers, turpentine, waxes, wax removers and other chemicals (e.g. mops and floor cloths).
- Items which have been splashed with hair lacquer, hair spray, nail varnish remover or similar substances.

When washing such heavily soiled items ensure that you use sufficient detergent and select a high temperature. If in doubt, wash the items several times.

▶ Remove all items from pockets (e.g. lighters, matches).

Warning and Safety instructions

- ▶ **Warning:** Ensure that you always wait until the end of the programme before removing the laundry. If the drying programme is stopped prematurely, remove the laundry immediately and hang it up or spread it out to cool it down.
- ▶ Fabric softener and similar products must be used according to the instructions on the manufacturer's packaging.
- ▶ To prevent the risk of fire, the following textiles must not be dried in this tumble dryer:
 - Items which have been cleaned using chemicals (e.g. professional dry-cleaning agents).
 - Fabrics which contain a large proportion of rubber, foam rubber or rubber-like materials. For example, products made from latex foam rubber, shower caps, waterproof textiles, rubberised articles and items of clothing and pillows with foam rubber filling.
 - Damaged fabrics which contain padding or fillings (e.g. pillows, jackets). When damaged, the filling can get out with the risk of it igniting in the dryer.
- ▶ In many programmes, the heating phase is followed by a cooling down phase to ensure that the items are not too hot to handle when you remove them (this also avoids the danger of the laundry self-igniting). The programme is not finished until the cooling down phase has been completed.

As soon as the programme has finished, remove all laundry from the drum.
- ▶ Do not let anyone sit or lean on the door, as this can cause the tumble dryer to tip up.
- ▶ Always close the door after use. This way you will avoid the danger of:
 - children climbing onto or into the dryer or hiding things in it.
 - pets or other small animals climbing into it.

Warning and Safety instructions


- ▶ The dryer must not be used without the fluff filters in place or if the fluff filters are damaged in any way.
- ▶ The fluff filters must be cleaned regularly.
- ▶ The dryer must not be used without the condenser unit in place.
- ▶ The fluff filters must be thoroughly dried after wet cleaning. Do not replace them if they are damp or wet. Damp or wet filters could cause operational faults.
- ▶ Do not install the tumble dryer in a room where there is a risk of frost occurring. At temperatures around freezing point the tumble dryer may not be able to operate properly. There is a risk of damage if the condensed water is allowed to freeze in the pump and hoses.
- ▶ If the water is drained externally through the drain hose instead of being collected in the condensed water container, make sure the drain hose is securely attached if you hang it in a sink or basin to avoid the hose slipping and the water causing damage.
- ▶ Condensed water is not drinking water.
It can cause health problems in both people and animals.
- ▶ Always keep the area around the tumble dryer free of dust and fluff.
Dust drawn into the tumble dryer can cause blockages in the heat exchanger over time.
- ▶ The tumble dryer must not be hosed down.

Accessories

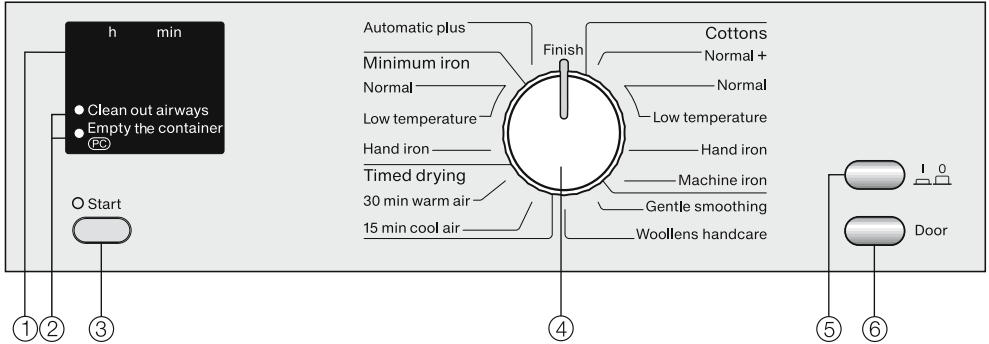
- ▶ Only use genuine Miele spare parts and accessories with this appliance. If spare parts or accessories from other manufacturers are used, this will invalidate the warranty, and Miele cannot accept liability.

Warning and Safety instructions

► A Miele tumble dryer can be stacked on top of a Miele washing machine using the appropriate stacking kit (available as an optional accessory). Please make sure you order the correct one for the Miele washing machine and Miele tumble dryer.

 Miele cannot be held liable for damage caused by non-compliance with these Warning and Safety instructions.

Control panel



① **Display *h min***

See the following page for more information.

② **Check / Fault indicator lights**

See "Problem solving guide".

The PC check light is also used by service technicians to run diagnostic checks on your tumble dryer and may be used to update programming data in the future.

③ **Start button**

Press the Start button to start a programme.

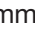
The Start indicator light will flash as soon as the programme can be started. It lights up constantly once the programme has started.

④ **Programme selector**

The programme selector can be turned clockwise or anti-clockwise.

⑤ **On/Off button **

For switching the appliance on or off.

 or the programme duration will light up as confirmation that the tumble dryer has been switched on.

⑥ **Door button**

Pressing this button will open the door even when the appliance is not switched on at the mains.

Operating the tumble dryer

Display h min

The display shows:

- The programme duration (*h:min* = hours and minutes)
- Check and fault messages
- Programmable functions
These are used to alter the dryer's electronics to suit different requirements.
See "Programmable functions" for more information.

Estimated time remaining

The estimated programme duration will appear in the *h:min* display in hours and minutes (estimated time remaining).


Exception: *Timed drying* programmes which last for the duration stated in the control panel.

The following factors can all affect the estimated time remaining: residual moisture content after spinning; type of fabric; size of load; room temperature; fluctuations in power supply. The electronics continually assess conditions in the appliance and adjust the estimated time remaining with increasing accuracy. Because of this, the time displayed can alter during the course of a programme.








Drum lighting

When the dryer is switched on at the mains and the door is opened, the drum lighting will come on. It will go out a few minutes later to save energy.

Before using for the first time

 Before using the tumble dryer for the first time, ensure that it is correctly installed and connected.

Garment care label symbols

Drying	
	Normal/Higher temperature
	Low temperature
	Do not tumble dry
Ironing	
	Very hot
	Hot
	Warm
	Do not iron

Tips on drying

Overloading can cause unnecessary wear and tear to the laundry, give a disappointing drying result and cause more creasing.

Always observe the maximum recommended loads given in the "Programme chart". Never overload the drum.

- Open jackets so that they can dry evenly.
- Do not put soaking wet items into the tumble dryer to dry them; spin them thoroughly for at least 30 seconds after washing.
- Use the *Automatic plus* programme for drying mixed loads of cottons and minimum iron fabrics.
- Woollens and wool blends tend to become matted and shrink if dried in a tumble dryer. They can, however, be "fluffed up" in the *Woollens handcare* programme.
- Down-filled garments have linings which have a tendency to shrink, depending on the quality of the items. They can be partially dried using the *Gentle smoothing* programme.
- Pure linen should only be machine dried if specified as suitable by the manufacturer on the garment care label, as the surface of the fabric may otherwise become rough.
- Loopknit garments (e.g. T-shirts and underwear) tend to shrink depending on their quality. Do not overdry these textiles. When purchasing these garments, it is advisable to take their shrinkage properties into account.
- Minimum iron fabric tends to crease more, the larger the load. This is also the case for garments made from very fine weave fabric, such as shirts or blouses. If necessary, select *Minimum iron* and reduce the size of the load.
- Starched laundry can be dried in the tumble dryer. To achieve the usual finish, double the amount of starch should be used.
- New dark coloured garments should be washed and dried separately from light coloured garments to avoid the danger of colours running and discolouring other garments or even plastic components in the dryer. Dark coloured fibres can also settle on light coloured garments and vice versa.

How to dry correctly


Brief instructions

The headings numbered (1, 2, 3 ...) show the operating sequence and can be used as a brief guide to using your dryer.

1 Preparing the laundry

Separate out the washed laundry and sort it according to:

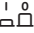
- ... the drying level required,
 - ... the type of fibre or weave,
 - ... size,
 - ... the moisture content after spinning.
- In this way an even drying result will be achieved.

 Make sure that objects e.g. detergent dispensing balls have been removed from the laundry. They could melt, and cause damage to the dryer or the laundry.

- Check seams and stitching to ensure that padding and linings are intact.
- Fasten duvet covers and pillow cases to prevent small items from being rolled up inside them.
- Fasten hooks and eyes.
- Fasten any loose belts and ties.
- Sew in or remove underwiring from bras.

2 Switching on the tumble dryer

The tumble dryer may be switched on after loading, saving energy as the light will not come on.

- Press the  button to switch the dryer on.

3 Loading the tumble dryer

- Press the *Door* button to open the door.
- Unfold the laundry and load loosely into the drum.

Do not overload the drum. See the "Programme chart" for recommended loads for each programme. Overloading can cause unnecessary wear and tear to the laundry and give a disappointing drying result.

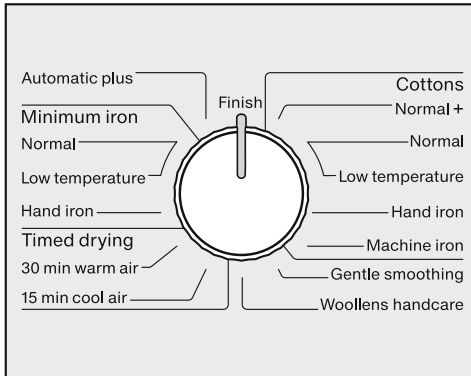
- Before closing the door, make sure the fluff filter is correctly positioned in the door.



Check the laundry is right inside the drum so that it cannot get trapped or damaged when the door is shut.

- Shut the door either with a gentle swing, or lean against it and push it shut.

4 Selecting a programme



- Turn the programme selector to the required programme.


5 Starting the programme

- Press the flashing *Start* button.

The indicator light for the *Start* button will now light up constantly.

Please note: The programme duration shown in the display is an estimation and can vary.

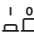
6 Removing the laundry at the end of the programme

There is a cooling down phase at the end of the drying sequence. The programme is not finished until  lights up and the buzzer sounds.

After the programme has finished, the drum will continue to rotate in a special rhythm, depending on the programme selected, to prevent creasing, if you do not wish to remove it immediately (Anti-crease phase). There is no Anti-crease phase at the end of the *Woollens handcare* programme. The duration of the Anti-crease phase is variable (see "Programmable functions").

- Press the *Door* button.
- Open the door.
- Remove the laundry.

Check that all items have been removed from the drum. If items are left in the dryer, they could be damaged by overdrying when the dryer is next used.

- Press the  button to switch the dryer off.
- Clean the fluff filters.
- Close the door.
- Empty the condensed water container.

Useful tip: If condensed water is drained away via the drain hose, the condensed water container does not have to be emptied.

Changing the programme sequence

Once a programme has started ...

... changing the programme

You cannot change to another programme once a programme has started (this prevents unintentional alterations).

If you try to change a programme, -| lights up until the original programme is reset.

You will need to cancel the current programme before you can select a new one.

... cancelling the programme


- Turn the programme selector to *Finish*.

The items will be cooled down, depending on the temperature reached and how long they have been dried for.

The programme is not finished until | lights up.

- Switch the dryer off and then on again.
- Select and start a new programme straight away.

Adding or removing laundry after a programme has started

 Restart the programme **immediately** after adding or removing items. Otherwise remove all items and spread them out to cool down completely.


Danger of burning!
The drum and the items can get very hot.
Do not touch the back of the drum when adding or removing items.

- Press the *Door* button.
- Add or remove items.
- Close the door.
- Press the *Start* button.

Programme duration

Altering the programme sequence can cause adjustments in the *h min* display.

Programme chart

Cottons		Max. load 7.0 kg*
Normal+, Normal		
Items	Single and multi-layered cotton fabric such as towelling, jerseywear, T-shirts, underwear, workwear, covers, flannelette bed linen and baby clothes.	
Note	The <i>Cottons Normal+</i> programme is the most energy-efficient for drying cotton items with normal residual moisture levels.	
Normal - Low temperature		
Useful for	Delicate fabric (with the  symbol on the care label, e.g. acrylic garments) is dried at a lower temperature than in the <i>Cottons Normal</i> programme. The programme duration is longer.	
Hand iron, Machine iron		
Items	Cotton or linen fabric requiring further processing, e.g.: table linen, bed linen, starched laundry.	
Note	To prevent laundry from drying out, it should be rolled up until you are ready for ironing.	

* Weight of dry laundry

Programme chart

Minimum iron		Max. load 3.5 kg*
Normal, Hand iron		
Items	Minimum iron items made of cotton, synthetic or mixed fibre, e.g.: tops, dresses, shirts, blouses, skirts, trousers and table linen.	
Note	With the <i>Hand iron</i> drying level, items are dried with very little creasing, depending on fabric type and amount of laundry.	
Normal - Low temperature		
Useful for	Delicate fabric (with the ☐ symbol on the care label, e.g. acrylic garments) is dried at a lower temperature than in the <i>Cottons Normal</i> programme. The programme duration is longer.	
Automatic plus		Max. load 5.0 kg
Items	Mixed loads of garments suitable for the <i>Cottons</i> and <i>Minimum iron</i> programmes. Sort according to colour.	
Timed drying		Max. load 7.0 kg*
30 min warm air		
Items	<ul style="list-style-type: none"> – Multi-layered fabric whose layers have different drying characteristics, e.g. jackets, pillows, sleeping bags and other voluminous items. – For drying individual items, e.g. bath towels, bathing costumes, tea towels and small loads. 	
15 min cool air		
Items	Any item which only needs airing.	

* Weight of dry laundry

Programme chart

Gentle smoothing		Max. load 1.0 kg*
Items	<ul style="list-style-type: none"> – Cotton and linen fabric. – Minimum iron items made of cotton, synthetic or mixed fibre, e.g. trousers, jackets, shirts. 	
Notes	<ul style="list-style-type: none"> – Smooths out creasing caused during the spin cycle in the washing machine. – Items are not dried completely in this programme. – Remove items as soon as the programme has finished and leave to finish drying at room temperature. 	
Woollens handcare		Max. load 2.0 kg
Items	Woollen garments and fabric containing wool blends, e.g. pullovers, jackets.	
Notes	<ul style="list-style-type: none"> – Wool and wool blend items are only fluffed up; they are not dried completely. – Remove garments as soon as the programme has finished. 	

* Weight of dry laundry

Cleaning and care

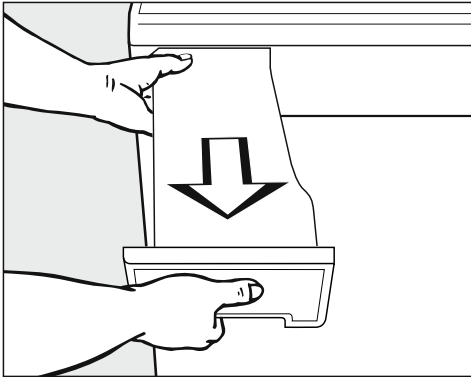
Emptying the condensed water container

The condensed water is collected in the condensed water container.

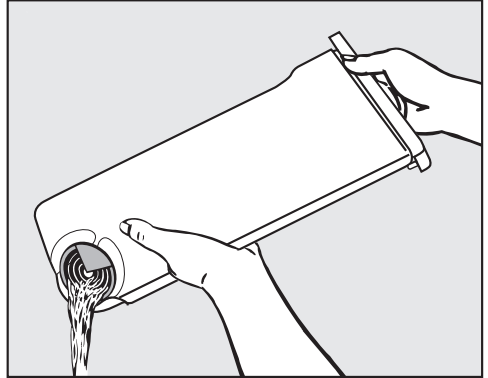
Empty the condensed water container after every drying programme.

The *Empty the container* indicator light will come on if the maximum level of the condensed water container is reached.

The indicator light will go out when the door is opened and closed again when the tumble dryer is switched on.



- Pull out the condensed water container.
- To prevent water running out, hold it at the front and towards the back and keep it in a horizontal position when carrying it.



- Empty the container.
- Replace the container in the dryer.

⚠ Condensed water can cause health problems in people and animals.

Do not drink it.

Condensed water can be put to household use (e.g. used in a steam iron or humidifier). To ensure that any residual particles of fluff in the condensed water are removed before use, pass it through a fine sieve or paper filter first.

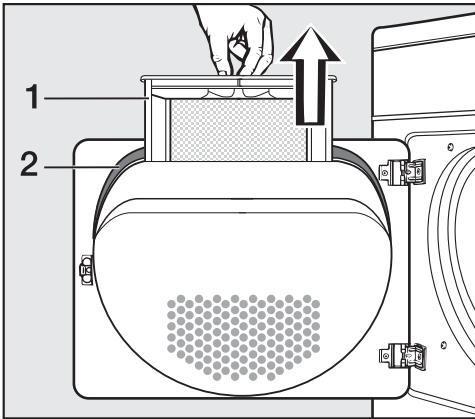
Cleaning the fluff filters

When to clean the fluff filters

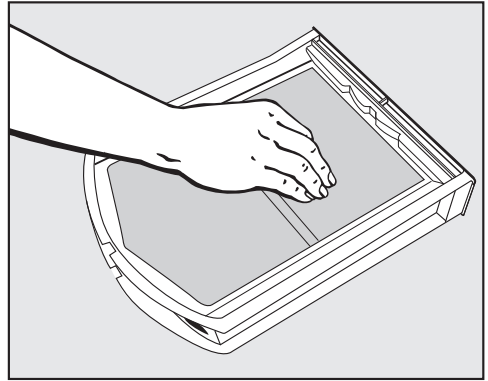
Clean the surfaces of the fluff filters in the door and the door opening after each drying programme. Always check the fluff filters if the *Clean out airways* indicator light comes on.

Cleaning the fluff filters without water

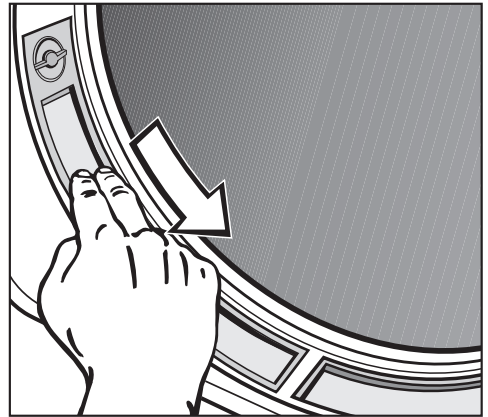
Useful tip: You can use a vacuum cleaner to remove the fluff.



- Open the door and pull the fluff filter (1) out of the door as illustrated.
- Remove any fluff from the hollow part of the door with a bottle brush or a vacuum cleaner.
- Also clean the door seal (2) with a damp cloth.



- Use your fingers or a vacuum cleaner to remove the fluff from the surface of the filter.



- Use your fingers or a vacuum cleaner to remove the fluff from the two fluff filters in the door opening.
- Once clean, push the filter back into the door holder until it clicks into position. Ensure it is facing the correct way.
- Close the door.

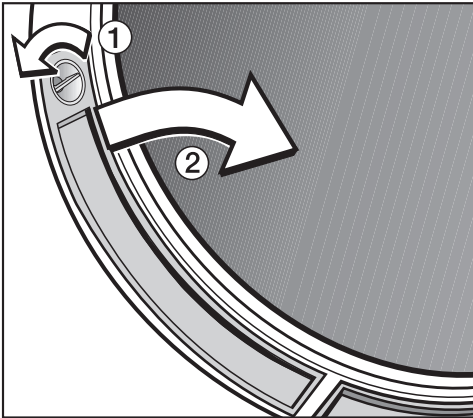
Cleaning and care

Cleaning the fluff filters with water

If there is a great deal of compacted fluff on any of the filters, they should be removed and cleaned with water.

- Open the door and pull the fluff filter out of the door as described previously.

The two filters in the door opening can also be removed if you need to clean them with water.




- Turn the dial ① on the left and right fluff filter until you feel it click.
- Pull the filter out of the door opening by the dial as shown ②.
- Rinse all the filters under hot, running water.
- Dry the fluff filters thoroughly with care.
- Clean the area underneath these filters, e.g. with a vacuum cleaner.


Refitting the fluff filters

⚠ Do not replace them if they are damp or wet. Damp or wet filters could cause operational faults.

- Push the large filter back into the door holder until it clicks into position. Ensure it is facing the correct way.
- Replace the filters in the door opening by first inserting them at the bottom and then pressing them into place at the top.
- Lock both dials (you will feel them click into position).

Tumble dryer

 Disconnect the machine from the mains electricity supply.

 Do not use solvents, abrasive cleaners, glass cleaners or all-purpose cleaning agents. These might damage plastic surfaces and other components because of the chemicals they contain.

- Clean the tumble dryer with a slightly damp cloth and a mild non-abrasive cleaning agent or a solution of washing-up liquid and water.
- Clean the seal around the inside of the door with a damp cloth.
- Dry all parts with a soft cloth.
- The drum and other stainless steel parts can be cleaned with a suitable proprietary stainless steel cleaner following the manufacturer's instructions. This, however, is not absolutely necessary.

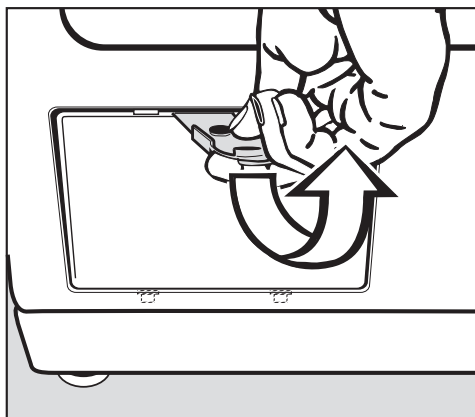
Cleaning and care

Cleaning the condenser unit

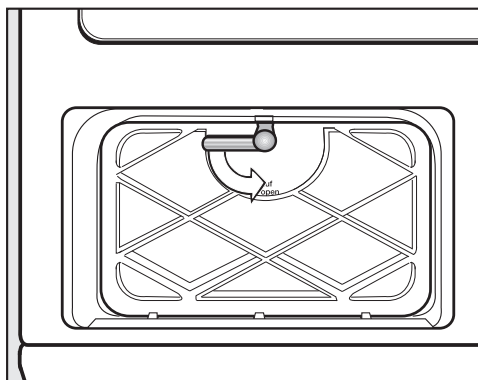
Check the condenser unit once a year and clean it if necessary. Always check the fluff filters and the condenser unit if the *Clean out airways* indicator light comes on.

Detergent residue, hair and fine fluff from the dryer can get through the fluff filters and block the condenser unit. Dust from the room in which the dryer is installed can also get into the condenser unit and cause a blockage.

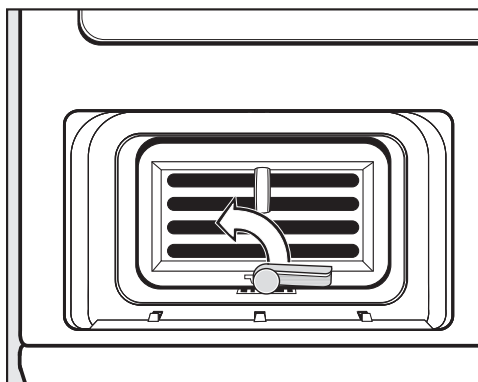
Opening the service panel



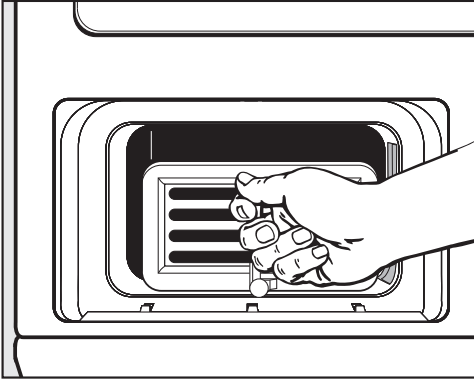
- Use the yellow lever supplied to open the service panel.
- Insert the lever into the middle of the gap in the top (see arrow) and lever the panel until it opens at the top.
- Now remove the panel by pulling it diagonally upwards. Then place it to one side.



- Turn the lever on the inner cover downwards to the vertical position.
- Pull the cover forwards.
- Then remove it by pulling it diagonally upwards.

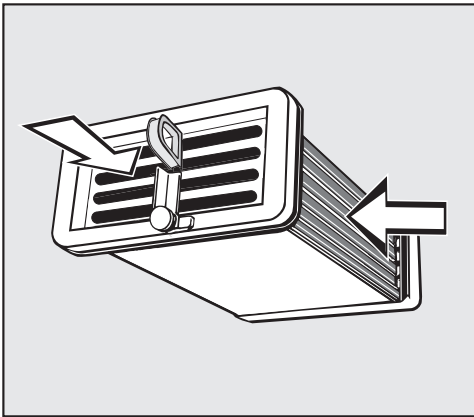


- Turn the lever on the condenser unit to the vertical position so that the hook on the lever is no longer in the groove at the bottom of the condenser unit housing.



- Pull the condenser unit out of its housing by the handle.

Checking the heat exchanger unit



- Hold the condenser unit up to the light as shown.

Check to see if there is any fluff inside it. The arrows in the illustration above indicate where to look.

If you cannot see any fluff:

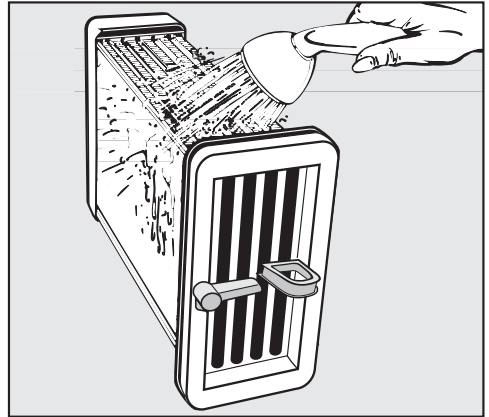
- Refit the condenser unit (see following page).

If you can see some fluff:

- Clean the condenser unit as described below.

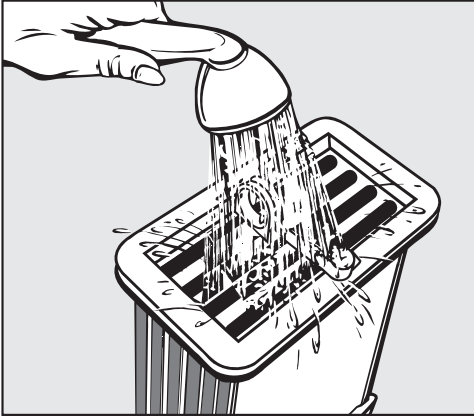
Cleaning the condenser unit

When rinsing the condenser unit, make sure you position it as shown in the next two illustrations.



- Use a shower head or similar to rinse the unit as shown.

Cleaning and care

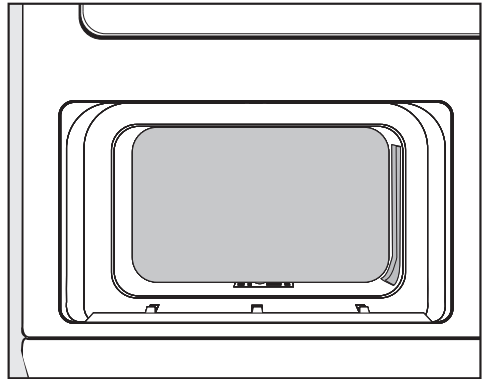


- Then flush the unit through from the front.
- Check the condenser unit again for any visible fluff and, if necessary, flush it through again until it has all gone.
- Also make sure that the rubber seals are clean.

The rubber seals must not be removed and must be free of kinks.

- Shake the water off the condenser unit until no more droplets of water are visible.

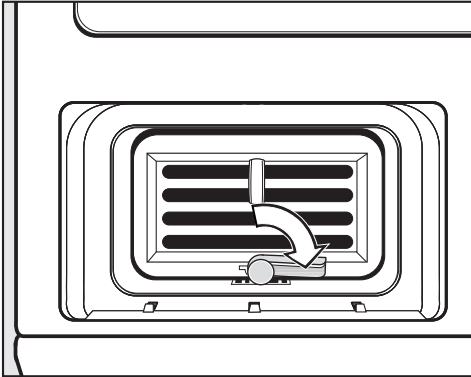
Checking and cleaning the condenser unit housing



- Remove any soiling still visible inside the housing by hand using a damp cloth.
- Do not try and access areas you cannot reach by hand!

Refitting the condenser unit

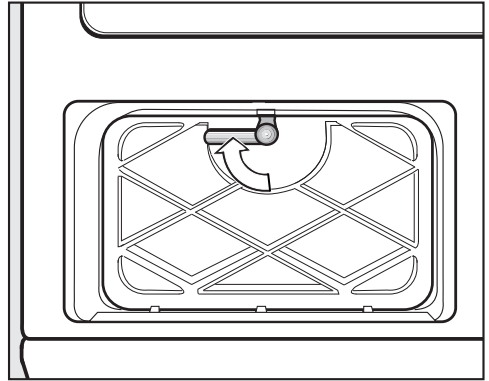
- Push the condenser unit back into the housing as far as it will go.



- Turn the lever down to the horizontal position, making sure that the hook on the lever clicks into the groove.

When replacing the inner cover after cleaning, ensure that the rubber seal fits correctly into the groove. Otherwise water may leak from the system.


- Replace the inner cover making sure the hooks are at the bottom. Hold it at an angle and push down gently.



- Press against the cover and lock it with the lever.

The lever will be in the horizontal position when locked.

- Replace the service panel and press the upper edge until it clicks into position.


 It is important to ensure that both the condenser unit and the cover are correctly positioned and locked, otherwise water may leak from the system.

Problem solving guide


Problem solving guide

With the help of the following notes minor faults in the performance of the appliance, some of which may result from incorrect operation, can be put right without contacting Miele.

Please note that a call-out charge will be applied to service visits where the problem could have been rectified as described in these operating instructions.

 Repair work to electrical appliances should only be carried out by an authorised Miele service technician. Repairs and other work by unqualified persons could be dangerous. Miele cannot be held liable for unauthorised work.

Check and fault messages

Problem	Possible cause and remedy
The <i>Empty the container</i> indicator lights up. The programme is cancelled, the buzzer sounds.	The condensed water container is full or there is a kink in the drain hose. <ul style="list-style-type: none">■ Empty out the condensed water container.■ Check the drain hose.■ Open and close the door while the dryer is switched on. The indicator light will go out.
The programme is cancelled. The buzzer may sound and the <i>Clean out airways</i> or <i>Empty the container</i> indicator flashes.	There is no obvious cause. <ul style="list-style-type: none">■ Switch the dryer off and then on again.■ Start a programme. If the programme is cancelled again and an error message appears, there is a fault. Contact Miele.
The programme is cancelled,  lights up	This is not a fault. In some programmes, if the drum has been underloaded or is empty, the programme will be cancelled. This can also happen if the items are already dry. <ul style="list-style-type: none">■ Open and close the door to resume drying.■ Use the <i>Warm air</i> programme (timed drying) to dry individual items.

Problem solving guide

Problem	Possible cause and remedy
<p>The Start indicator light flashes slowly and the display is dark</p>	<p>The dryer is in standby. This is a normal function and does not indicate a fault.</p> <ul style="list-style-type: none"> ■ See "Standby" in "Programmable functions".
<p>The Clean out airways indicator light comes on at the end of a programme</p>	<p>There is a build-up of fluff in the airways.</p> <ul style="list-style-type: none"> ■ Clean the fluff filters. ■ Clean the condenser unit ■ Open and close the door while the dryer is switched on. The indicator light will go out.
<p>The programme is cancelled and the Clean out airways indicator light comes on</p>	<p>An excessive amount of fluff has built up.</p> <ul style="list-style-type: none"> ■ Clean the fluff filters and condenser unit. ■ Open and close the door while the dryer is switched on. The indicator light will go out.
<p>Bars flash in the display at the end of a programme: <i>[-]...[-]...[-]...</i></p>	<p>The programme has finished but the laundry has not yet cooled down.</p> <ul style="list-style-type: none"> ■ Either remove the laundry and spread it out to cool down or leave it in the tumble dryer to cool down during the cooling phase.
<p><i>-0-</i> lights up</p>	<p>The programme selector has been moved.</p> <ul style="list-style-type: none"> ■ Select the original programme. The time remaining will appear in the display again.

Problem solving guide

Unsatisfactory drying results

Problem	Possible cause and remedy
The laundry is not sufficiently dry	The load consisted of different types of fabric. <ul style="list-style-type: none">■ Finish drying using the <i>Warm air</i> timed drying programme.■ Select a more suitable programme next time. Tip: You can alter the drying levels for some programmes (see "Programmable functions").
Laundry or feather filled pillows smell after drying	The laundry was washed with insufficient detergent. Feathers are a natural product and this is quite normal. <ul style="list-style-type: none">■ Laundry: use sufficient detergent next time.■ Pillows: take out of the tumble dryer and aerate.■ Use a fragrance flacon (available as an optional accessory) for your favourite fragrance.
Items made of synthetic fibres are charged with static electricity after drying	Synthetic fibres tend to attract static charge. <ul style="list-style-type: none">■ Static charge can be reduced by adding a fabric softener to the final rinse in the washing programme.
There is a build-up of fluff	Fluff is principally the result of friction when garments are being worn and to some extent when they are being washed. Machine drying hardly causes any fluff to form. Fluff is collected by the fluff filters in the door and door opening and can be easily removed. <ul style="list-style-type: none">■ See "Cleaning and care".

Other problems

Problem	Possible cause and remedy
<p>Water leaks from the machine after the condenser unit has been cleaned</p>	<p>The inner cover of the condenser unit has not been locked properly and/or the condenser unit has not been positioned correctly. Fluff has collected in the condenser unit housing.</p> <ul style="list-style-type: none"> ■ Ensure that the condenser unit is positioned correctly and lock the inner cover. ■ Check the rubber seals. ■ Use a cloth to remove any visible fluff from the inside of the condenser unit housing.
<p>A programme cannot be started</p>	<p>There is no obvious cause.</p> <ul style="list-style-type: none"> ■ Connect the tumble dryer to the mains electricity supply. ■ Turn on the tumble dryer. ■ Close the door. ■ Check whether the mains fuse has tripped.
	<p>Has there been a power cut? When power is restored, any previously running programme will restart automatically.</p>
<p>The interior drum lighting does not come on</p>	<p>The lighting switches off automatically (to save energy).</p> <ul style="list-style-type: none"> ■ Switch the dryer off and then on again. ■ The lamp needs changing. Change the lamp as described at the end of this section.
<p>The drying process goes on too long or even switches off*</p>	<p>The room in which the tumble dryer is located is too warm.</p> <ul style="list-style-type: none"> ■ Ventilate the room thoroughly.
	<p>Detergent residues, hair and fine fluff can clog the filters.</p> <ul style="list-style-type: none"> ■ Clean the filters and the condenser unit (see "Cleaning and care").
	<p>The vents below the door are blocked.</p> <ul style="list-style-type: none"> ■ Move any objects, such as a laundry basket, away from the dryer.
	<p>The fluff filters were still wet when replaced.</p>

Problem solving guide

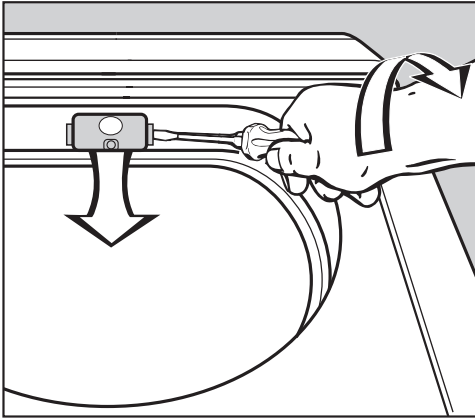
Problem	Possible cause and remedy
The drying process goes on too long or even switches off*	■ The fluff filters must be dry.
	The laundry is too damp. ■ Spin using a higher spin speed in the washing machine.
	The tumble dryer has been overloaded. ■ Do not exceed the maximum load for the programme selected.
	Metallic components, e.g. zippers have prevented the dryer from registering the correct moisture level. ■ Open the zippers next time. ■ If the problem recurs, dry these items using the <i>Warm air</i> timed drying programme.
	* Before starting another programme: ■ Switch the dryer off and then on again.

Changing the lamp

! Disconnect the machine from the mains electricity supply.

- Open the door.

You will find the interior lamp cover at the top of the drum aperture.



- Insert a suitable tool* using light pressure under the side edge of the lamp cover as illustrated.

* E.g. a wide, flat-bladed screwdriver

- Apply a little pressure and whilst doing so turn your wrist in the direction of the arrow to open the cover.

The cover will open downwards.

The temperature-resistant lamp should only be ordered from Miele.

! The lamp must be replaced with one of the same type and specification. The lamp specification and maximum wattage is stated on the data plate and on the lamp cover.

- Turn the lamp anti-clockwise to remove it.
- Replace the lamp.
- To close the cover, push it upwards and press it on the left and right until you hear it click into position.

! Ensure that it is fitted into position securely, as any moisture could cause a short circuit.

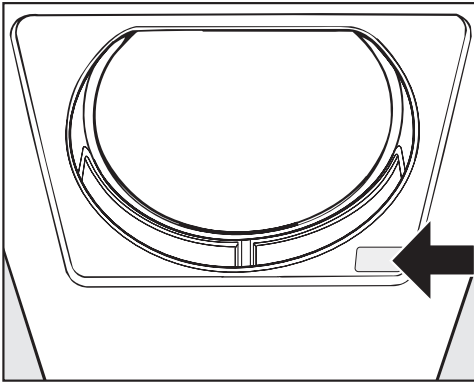
After sales service

Repairs

In the event of any faults which you cannot remedy yourself, please contact Miele. Please note, however, that a call-out charge will be applied to service visits where the problem could have been rectified as described in these operating instructions.

The contact details for Miele are given at the back of these operating instructions.

When contacting Miele, please quote the model and serial numbers, both of which are located on the data plate (visible when the door is open).



Optional accessories

Optional accessories for this tumble dryer are available from Miele (see contact details at the back of these instructions).

You also can order these and many other useful products via the internet (depending on country).

Drying basket

The drying basket is suspended in the drum and does not rotate with the drum. This enables items which must not be subjected to mechanical action to be dried or aired.

Fragrance flacon

A fragrance flacon can be used in your tumble dryer to add a pleasant fragrance to your laundry.

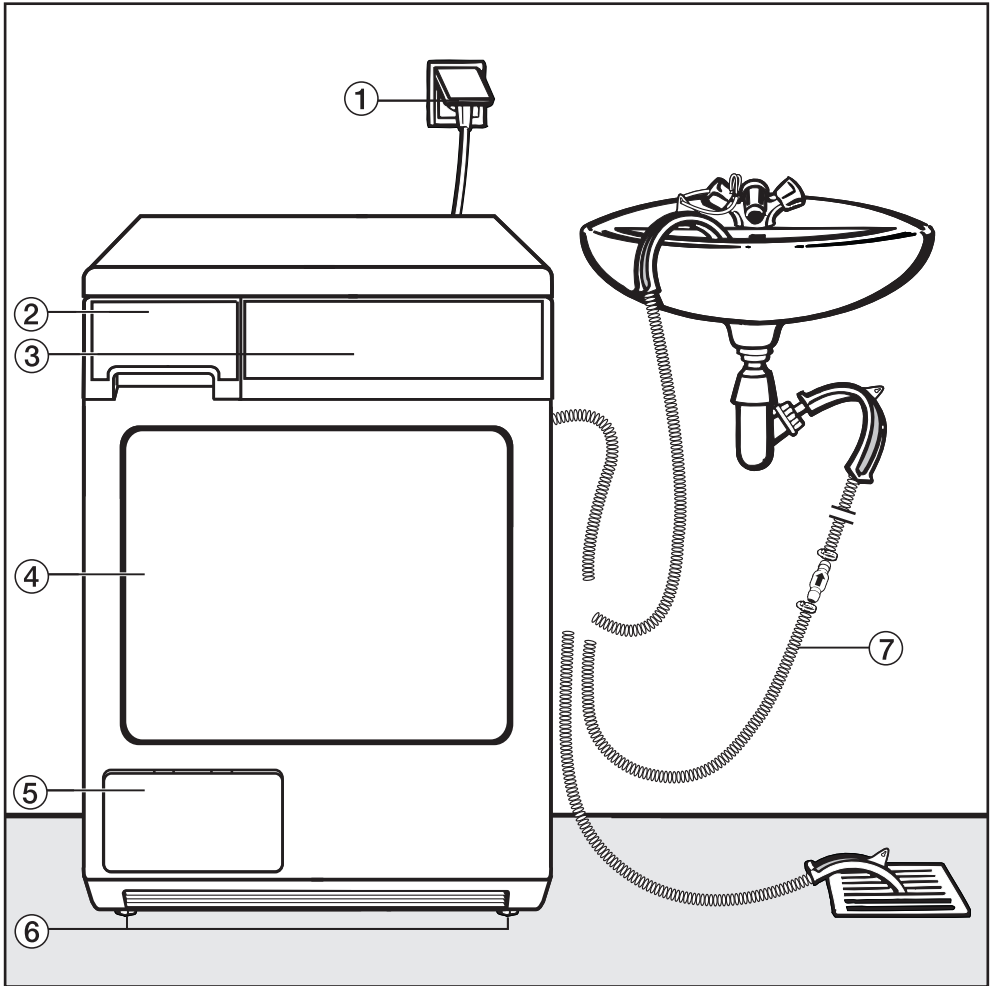
A fragrance flacon holder is required which fits into the fluff filter.

Warranty

The manufacturer's warranty for this appliance is 2 years.

See the warranty card supplied with the tumble dryer for further details.

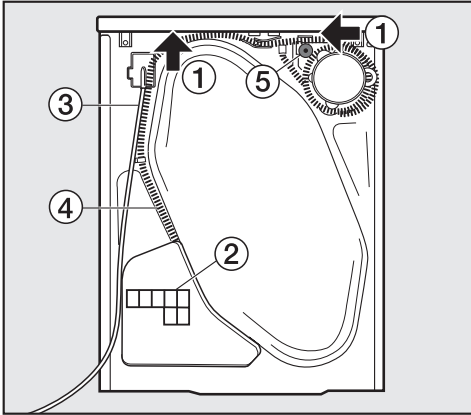
Front view



- ① Mains connection cable
- ② Condensed water container
– empty after every drying cycle
- ③ Control panel
- ④ Door
- ⑤ Service panel for condenser unit
- ⑥ Four height adjustable screw feet
- ⑦ Hose for external drainage of condensed water


Installation and connection

Rear view



- ① Protruding lid for holding when moving the tumble dryer (see arrows)
- ② Air inlet vent for cooling the condenser unit
- ③ Mains connection cable
- ④ Hose for external drainage of condensed water
- ⑤ Accessories for external drainage of condensed water: hose clip, adapter and hose holder

Installation site

 Make sure the dryer door can be opened without hindrance after installation.

The appliance must not be installed behind a lockable door, a sliding door or a door with a hinge on the opposite side to that of the tumble dryer, in such a way that a full opening of the tumble dryer door is restricted.

Transporting the machine to its installation site

When moving the machine, you can hold it by the lid where it protrudes to the rear of the dryer. To manoeuvre the dryer out of its packing case to its installation site you will also need to hold it by the front feet.

Building under a continuous worktop / in a kitchen run

⚠ Building under kits must only be installed/dismantled by a suitably qualified fitter.

- A special building-under conversion kit* with a cover plate to replace the appliance lid is required. It must be fitted by a Miele approved technician to ensure electrical safety. N.B. If you wish to push your appliance under a worktop and there is space to do this without removing the lid, the building under kit is not necessary. Otherwise it is essential.
- Fitting instructions are supplied with the conversion kit.
- N.B. When built under, drying times may be longer.
- The electrical socket must be located in an accessible position near the appliance.

With niche heights of:

- 830-840 mm, longer screw feet* are required.
- 870-885 / 915-930 mm, one or two raising kits* are required.

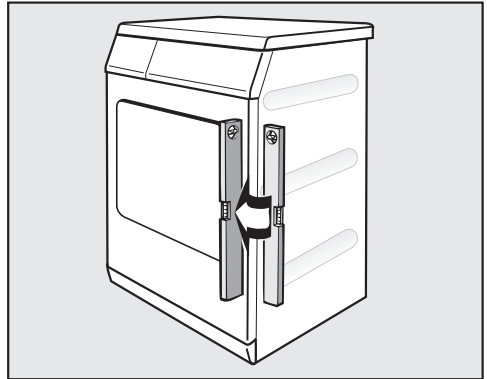
* accessory available to order

Washer and dryer stack

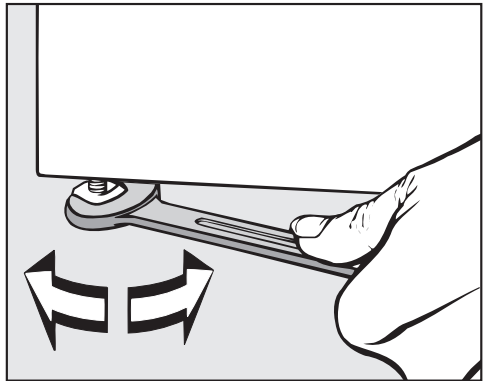
The tumble dryer can be combined with a Miele washing machine in a washer-dryer stack. The appropriate Miele washer-dryer "WTV" stacking kit* is required.

* accessory available to order

Levelling the dryer




The appliance must stand perfectly level on all four feet to ensure safe and proper operation.




The screw feet can be adjusted to compensate for unevenness in the floor.

Installation and connection

 The gap between the base of the dryer and the floor must not be minimised by a plinth or thick-piled carpet as this would prevent a sufficient intake of cold air.

A build-up of heat can be avoided by adjusting the screw feet so that there is a gap of at least 20 mm between the floor and the bottom of the dryer.

 Do not obstruct the cool air intake at the front with a laundry basket or other objects. This would hinder a sufficient intake of cool air for the condenser unit.

Room ventilation

Cool air taken in for the drying process is expelled from the front of the dryer and heats up the air in the room. Ensure that the room has sufficient ventilation, e.g. by opening a window. Otherwise drying durations may be longer.

Adequate ventilation has to be provided to avoid the back flow of gases into the room from appliances burning other fuels, including open fires.

Before moving the tumble dryer again (e.g. when moving house)

After each use a small quantity of condensed water will collect in the area of the pump. This water can run out if the tumble dryer is tipped up when it is being moved. It is a good idea to run the *Warm air* programme for approximately 1 minute before moving the tumble dryer. Any remaining condensed water will then be fed into the condensed water container or out through the drain hose.

Electrical connection

This tumble dryer is supplied with a mains cable with moulded plug.

The accessibility of the plug must be always ensured in order to separate the tumble dryer from the mains.

Connection of this appliance should comply with national and local safety regulations.

Do not connect the appliance via an extension lead. Extension leads do not guarantee the required safety of the appliance (e.g. danger of overheating).

The appliance should be connected up only by a qualified electrician in accordance with national and local safety regulations. For extra safety, it is advisable to install a residual current device (RCD) with a trip current of 30 mA.

The voltage, rated load and plug rating are given on the data plate. Please ensure that these match the household mains supply.

Important

The wires in the mains lead are coloured in accordance with the following code:

Green/yellow = earth

Blue = neutral

Brown = live

As the colours of the wires in the mains lead of this appliance may not correspond with the coloured markings identifying the terminals in your plug, proceed as follows: The wire which is coloured green and yellow must be connected to the terminal in the plug which is marked with the letter E or by the earth symbol or coloured green or green and yellow. The wire which is coloured blue must be connected to the terminal which is marked with the letter N or coloured black. The wire which is coloured brown must be connected to the terminal which is marked with the letter A or coloured red.

WARNING
THIS APPLIANCE MUST BE
EARTHED

Installation and connection

Externally draining condensed water

Notes

When drying is in progress, condensed water is pumped into the condensed water container through the drain hose which is located at the back of the dryer.

The condensed water can also be drained away via the drain hose so that the condensed water container does not have to be emptied.

Drain hose length: 1.50 m
Maximum delivery head: 1.50 m
Maximum drain hose length: 4.00 m

The following optional accessories are available:

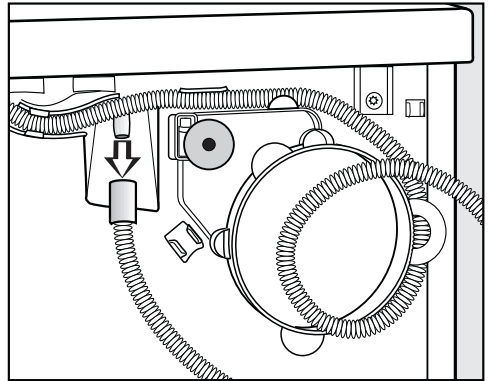
- an extension hose,
- a non-return valve kit for connection to an external water outlet. The kit includes an extension hose.

Arranging the drain hose

⚠ Do not pull on the drain hose and do not stretch it or allow it to become kinked.

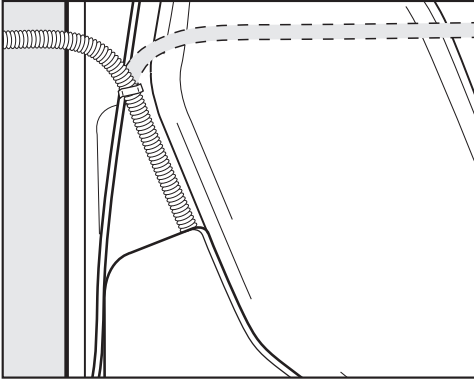
This could damage the hose.

There will be a small amount of residual water left in the drain hose. Have a container ready to collect this.



- Pull the drain hose off its connection.
- Allow any residual water to run into the container.
- Unwind the hose and pull it carefully out of the holders.

Installation and connection



External drainage via a sink or gully

- See "Front view" illustration.

⚠ If you want to drain the water off into a sink or basin, you will need to secure the hose carefully, e.g. by tying it to a tap, to make sure it cannot slip during use. Otherwise there is a risk of overflowing water which could cause damage.

- Guide the hose to the right or left side of the dryer, as required.

Leave the hose in the middle holder to prevent it from being kinked inadvertently.

- Use the bow-shaped guide to prevent the drain hose from becoming kinked.

Installation and connection

Installation conditions requiring a non-return valve

⚠ There is a risk of backflow into the dryer if a non-return valve is not fitted.

Backflow could damage the dryer and also the room in which it is located.

Certain installation conditions, such as those described below, require the fitting of a non-return valve.

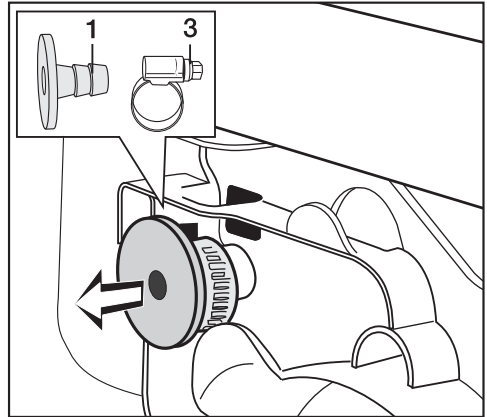
Installation conditions requiring the fitting of a non-return valve:

- Drainage into a sink or floor gully where the end of the hose is immersed in water.
- Connection to a sink drain outlet.
- Connection to a drainage system already in use by another appliance, e.g. a dishwasher or washing machine.

Maximum delivery head with non-return valve: 1.00 m

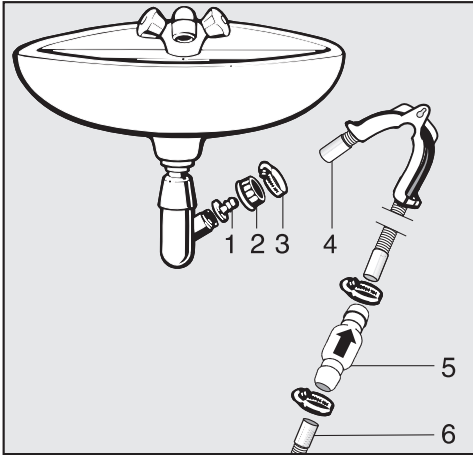
Example: Connection to a sink drain outlet

The drain hose with non-return valve fitted can be connected directly to a suitable sink drain outlet.



- Remove the following from the back of the dryer at the top: Adapter **1** and hose clip **3** behind it.

Installation and connection



1. Adapter
2. Nut
3. Hose clip
4. End of the hose (secured with the hose holder)
5. Non-return valve
6. Tumble dryer drain hose

- Fit the adapter **1** to the sink drain outlet using the nut **2**.
The nut is usually fitted with a washer which must be removed.
- Attach the end of the hose **4** to the adapter **1**.
- Use the hose holder.
- Use a screwdriver to tighten the hose clip **3** up close to the nut.
- Fit the non-return valve **5** to the tumble dryer drain hose **6**.

The non-return valve **5** has to be fitted so that the arrow points in the direction of flow (i.e. towards the sink).

- Secure the non-return valve using hose clips.

Consumption data

	Load ¹ kg	Final spin speed in a domestic washing machine rpm	Residual moisture %	Energy kWh	Duration min.
Cottons Normal	7.0 3.5	1000 1000	60 60	4.14 2.28	109 65
Cottons Normal	7.0 7.0 7.0	1200 1400 1600	53 50 44	3.75 3.55 3.15	100 95 86
Cottons Hand iron	7.0 7.0 7.0 7.0	1000 1200 1400 1600	60 53 50 44	3.10 2.75 2.55 2.20	89 79 74 65
Minimum iron Normal	3.5	1200	40	1.40	45
Minimum iron Hand iron	3.5	1200	40	1.20	39
Automatic plus	5.0	900	50	2.70	114
¹ Weight of dry laundry					
All data was calculated using EN 61121 unless otherwise stated.					
Power consumption when switched off:				0.10 W	
Power consumption when not switched off:				3.50 W	

Consumption data can vary from the nominal values given above depending on the size of the load, types of textiles, residual moisture levels after spinning and fluctuations in the electricity supply.

Technical data

Height	850 mm
Width	595 mm
Depth	587 mm
Depth with door open	1062 mm
Height for building under	820 mm
Width for building under	600 mm
Depth for building under	600 mm
Suitable for pushing under a worktop	Yes
Suitable for stacking	Yes
Weight	Approx. 51 kg
Drum volume	111 l
Maximum capacity	7.0 kg (weight of dry laundry)
Capacity of condensed water container	4.2 l
Hose length	1.5 m
Max. delivery head	1.5 m
Max. drain hose length	4.00 m
Length of connection cable	2.00 m
Voltage	See data plate
Rated load	See data plate
Fuse rating	See data plate
Lamp wattage	See data plate
Test certificates awarded	See data plate

Programmable functions for changing standard settings

Settings can be used to alter the dryer's electronics to suit different requirements. They can be altered at any time.

The tumble dryer's programmable functions are available for use but are not absolutely necessary for a satisfactory drying result.

Extending the range of the drying level for the "Cottons" programme

The tumble dryer is designed to dry effectively using as little energy as possible. However, if you require the laundry to be drier or damper, you can reduce or increase the default residual moisture in this programme.

Exception: The *Normal* drying level remains unchanged.

Follow steps (1, 2, 3 ...) to programme and store in memory.

Before you begin, ensure the following:

- The tumble dryer is switched off.
- The door is closed.
- The programme selector is pointing to *Finish*.

- 1 Press the *Start* button and keep it pressed in whilst carrying out steps 2-3.
- 2 Switch the tumble dryer on.
- 3 Wait until the indicator light for the *Start* button lights up constantly . . .
- 4 . . . and then release the *Start* button.

The *Empty the container* indicator light will flash once.

The option selected will be displayed by a **number** which will alternate with *P*.

- 0 **Laundry will be damper**
- 1 **Factory default setting**
(The *Clean out airways* indicator light will also flash once)
- 2 **Laundry will be drier**
(The *Clean out airways* indicator light will also flash twice)

- 5 Pressing the *Start* button switches between the options.
- 6 Switch the tumble dryer off.

The setting you have selected is now stored in memory. You can change it again at any time.

To check the setting:

- Carry out steps 1-4.
- Switch the dryer off after checking the indicator lights.

Programmable functions

Extending the drying level for the "Minimum iron" programme

The tumble dryer is designed to dry effectively using as little energy as possible. However, if you require the laundry to be drier or damper, you can reduce or increase the default residual moisture in this programme.

Follow steps (1, 2, 3 ...) to programme and store in memory.

Before you begin, ensure the following:

- The tumble dryer is switched off.
 - The door is closed.
 - The programme selector is pointing to *Finish*.
- 1 Press the *Start* button and keep it pressed in whilst carrying out steps 2-3.
 - 2 Switch the tumble dryer on.
 - 3 Wait until the indicator light for the *Start* button lights up constantly . . .
 - 4 . . . and then release the *Start* button.
 - 5 Turn the programme selector to *Cottons Normal+*.

The *Empty the container* indicator light will flash twice.

The option selected will be displayed by a **number** which will alternate with *P*.

- 0 **Laundry will be damper**
 - 1 **Factory default setting**
(The *Clean out airways* indicator light will also flash once)
 - 2 **Laundry will be drier**
(The *Clean out airways* indicator light will also flash twice)
- 6 Pressing the *Start* button switches between the options.
 - 7 Switch the tumble dryer off.

The setting you have selected is now stored in memory. You can change it again at any time.

To check the setting:

- Carry out steps 1-5.
- Switch the dryer off after checking the indicator lights.

Anti-crease

Helps prevent creasing, if laundry is not normally removed immediately after the end of a programme. The drum rotates at intervals for 2 hours after the end of a programme.

Anti-crease

- is activated ex-works. You can shorten the duration of the Anti-crease phase or deactivate it if wished.
- can be used for all programmes, except *Woollens handcare*.
- should always be switched on.

Follow steps (1, 2, 3 ...) to programme and store in memory.

Before you begin, ensure the following:

- The tumble dryer is switched off.
- The door is closed.
- The programme selector is pointing to *Finish*.

- 1 Press the *Start* button and keep it pressed in whilst carrying out steps 2–3.
- 2 Switch the tumble dryer on.
- 3 Wait until the indicator light for the *Start* button lights up constantly . . .
- 4 . . . and then release the *Start* button.
- 5 Turn the programme selector to *Cottons Normal*.

The *Empty the container* indicator light will flash three times.

The option selected will be displayed by a **number** which will alternate with *P*.

0 Anti-crease action off

1 Anti-crease 1 h

(The *Clean out airways* indicator light will also flash once)

2 Anti-crease 2 h (factory default setting)

(The *Clean out airways* indicator light will also flash twice)

- 6 Pressing the *Start* button switches between the options.

- 7 Switch the tumble dryer off.

The setting you have selected is now stored in memory. You can change it again at any time.

To check the setting:

- Carry out steps 1–5.
- Switch the dryer off after checking the indicator lights.

Programmable functions

Switching the buzzer on/off

A buzzer sounds (at intervals for a maximum of 1 hr) to let you know the programme has finished.

The dryer is delivered with the buzzer switched on, but you can switch it off if you wish.

The buzzer will still sound if there is a fault, even if it has been switched off.

Follow steps (1, 2, 3 ...) to programme and store in memory.

Before you begin, ensure the following:

- The tumble dryer is switched off.
- The door is closed.
- The programme selector is pointing to *Finish*.

- 1 Press the *Start* button and keep it pressed in whilst carrying out steps 2-3.
- 2 Switch the tumble dryer on.
- 3 Wait until the indicator light for the *Start* button lights up constantly . . .
- 4 . . . and then release the *Start* button.
- 5 Turn the programme selector to *Cottons Low temperature*.

The *Empty the container* indicator light will flash four times.

The option selected will be displayed by a **number** which will alternate with *P*.

0 Buzzer off

1 **Buzzer on (factory default setting)**
(The *Clean out airways* indicator light will also flash once)

6 Pressing the *Start* button switches between the options.

7 Switch the tumble dryer off.

The setting you have selected is now stored in memory. You can change it again at any time.

To check the setting:

- Carry out steps 1-5.
- Switch the dryer off after checking the indicator lights.

Altering the standard drying level in the "Automatic plus" programme

The drying level for this programme is set to the standard *Normal* level. You have the option of changing the drying level to *Hand iron* (dampier than *Normal*) or to *Normal+* (drier than *Normal*).

Follow steps (1, 2, 3 ...) to programme and store in memory.

Before you begin, ensure the following:

- The tumble dryer is switched off.
 - The door is closed.
 - The programme selector is pointing to *Finish*.
- 1 Press the *Start* button and keep it pressed in whilst carrying out steps 2-3.
 - 2 Switch the tumble dryer on.
 - 3 Wait until the indicator light for the *Start* button lights up constantly . . .
 - 4 . . . and then release the *Start* button.
 - 5 Turn the programme selector to *Cottons Hand iron*.

The *Empty the container* indicator light will flash six times.

The option selected will be displayed by a **number** which will alternate with *P*.

- 0 **Standard setting will be *Hand iron***
 - 1 **Factory default setting**
(The *Clean out airways* indicator light will also flash once)
 - 2 **Standard setting will be *Normal+***
(The *Clean out airways* indicator light will also flash twice)
- 6 Pressing the *Start* button switches between the options.
 - 7 Switch the tumble dryer off.

The setting you have selected is now stored in memory. You can change it again at any time.

To check the setting:

- Carry out steps 1-5.
- Switch the dryer off after checking the indicator lights.

Programmable functions

Extending the cooling down time

The cooling down phase which takes place before the end of a programme can be lengthened if required. This makes the garments easier to handle.

Follow steps (1, 2, 3 ...) to programme and store in memory.

Before you begin, ensure the following:

- The tumble dryer is switched off.
 - The door is closed.
 - The programme selector is pointing to *Finish*.
- 1 Press the *Start* button and keep it pressed in whilst carrying out steps 2-3.
 - 2 Switch the tumble dryer on.
 - 3 Wait until the indicator light for the *Start* button lights up constantly . . .
 - 4 . . . and then release the *Start* button.
 - 5 Turn the programme selector to *Cottons Machine iron*.

The *Empty the container* indicator light will flash seven times.

The option selected will be displayed by a **number** which will alternate with *P*.

0 Factory default

1 **Cooling down 5 minutes longer**
(The *Clean out airways* indicator light will also flash once)

2 **Cooling down 10 minutes longer**
(The *Clean out airways* indicator light will also flash twice)

6 Pressing the *Start* button switches between the options.

7 Switch the tumble dryer off.

The setting you have selected is now stored in memory. You can change it again at any time.

To check the setting:

- Carry out steps 1-5.
- Switch the dryer off after checking the indicator lights.

Standby

To save energy, the display goes out after 10 minutes and the indicator light for the *Start* button starts flashing slowly.

Reactivate from Standby

- Move the programme selector or press *Start*. Neither will have any effect if a programme is running.

On

Standby is activated and the indicator lights will go out after 10 minutes:

- if a programme is not selected after the dryer has been switched on,
- after a programme has started.

They will, however come on for 10 minutes at the end of the programme or the end of the Anti-crease phase. The buzzer (if selected) will sound for 10 minutes at the end of the programme.

Not in current programme (factory default setting)

As described under "On".

However, indicator lights will stay on when the programme has started and remain visible during the programme.

Off

Indicator lights will stay on while the dryer is switched on.

Follow steps (1, 2, 3 ...) to programme and store in memory.

Before you begin, ensure the following:

- The tumble dryer is switched off.
- The door is closed.
- The programme selector is pointing to *Finish*.

- 1 Press the *Start* button and keep it pressed in whilst carrying out steps 2-3.
- 2 Switch the tumble dryer on.
- 3 Wait until the indicator light for the *Start* button lights up constantly . . .
- 4 . . . and then release the *Start* button.
- 5 Turn the programme selector to *Gentle smoothing*.

The *Empty the container* indicator light will flash eight times.

Programmable functions

The option selected will be displayed by a **number** which will alternate with *P*.

0 On

1 Not in current programme (factory default setting)

(The *Clean out airways* indicator light will also flash once)

2 Off

(The *Clean out airways* indicator light will also flash twice)

6 Pressing the *Start* button switches between the options.

7 Switch the tumble dryer off.

The setting you have selected is now stored in memory. You can change it again at any time.

To check the setting:

- Carry out steps 1-5.
- Switch the dryer off after checking the indicator lights.

Clean out airways indicator

Fluff should be removed after drying. The *Clean out airways* indicator will remind you to clean the filters when a certain amount of fluff has collected in the filters. You can decide at what level of fluff this reminder should be given.

You will have an idea of how often this should be done after a few drying programmes.

Certain faults can also cause this indicator light to come on at other times.

Follow steps (1, 2, 3 ...) to programme and store in memory.

Before you begin, ensure the following:

- The tumble dryer is switched off.
- The door is closed.
- The programme selector is pointing to *Finish*.

- 1 Press the *Start* button and keep it pressed in whilst carrying out steps 2-3.
- 2 Switch the tumble dryer on.
- 3 Wait until the indicator light for the *Start* button lights up constantly . . .
- 4 . . . and then release the *Start* button.
- 5 Turn the programme selector to *Woollens handcare*.

The *Empty the container* indicator light will indicate one long flash.

The option selected will be displayed by a **number** which will alternate with *P*.

- 0 **The *Clean out airways* indicator light is deactivated**
- 1 **The *Clean out airways* indicator light only appears when there is a heavy build-up of fluff**
(The *Clean out airways* indicator light will also flash once)
- 2 **Factory default setting**
(The *Clean out airways* indicator light will also flash twice)
- 3 **The *Clean out airways* indicator light appears when there is only a small build-up of fluff**
(The *Clean out airways* indicator light will also flash three times)
- 6 Pressing the *Start* button switches between the options.
- 7 Switch the tumble dryer off.


The setting you have selected is now stored in memory. You can change it again at any time.

To check the setting:

- Carry out steps 1-5.
- Switch the dryer off after checking the indicator lights.


Programmable functions

Adjusting the dryer's electronics for very soft water

 This programmable function should only be altered if the water is so soft that it is likely to cause the electronics which sense residual moisture in the laundry to give false readings.

Important

This programmable function should only be set if the water used for washing the laundry is extremely soft with a conductivity reading (electrical conductivity) less than 150 μS . Contact your local water authority for the conductivity level of your mains water supply.

 Only activate this programmable function if these conditions are present. Otherwise drying results will be unsatisfactory.

Follow steps **(1, 2, 3 ...)** to programme and store in memory.

Before you begin, ensure the following:

- The tumble dryer is switched off.
- The door is closed.
- The programme selector is pointing to *Finish*.

- 1** Press the *Start* button and keep it pressed in whilst carrying out steps **2-3**.
- 2** Switch the tumble dryer on.
- 3** Wait until the indicator light for the *Start* button lights up constantly . . .

- 4** . . . and then release the *Start* button.
- 5** Turn the programme selector to *Cool air*.

The *Empty the container* indicator light will flash on and off slowly once and then on and off quickly twice.

The option selected will be displayed by a **number** which will alternate with *P*.

Factory default

1 Adjusted for very soft water (with low conductivity)
(The *Clean out airways* indicator light will also flash once)

- 6** Pressing the *Start* button switches between the options.
- 7** Switch the tumble dryer off.

The setting you have selected is now stored in memory. You can change it again at any time.

To check the setting:

- Carry out steps **1-5**.
- Switch the dryer off after checking the indicator lights.

Miele Australia Pty. Ltd.

ACN 005 635 398
ABN 96 005 635 398

**Miele Experience Centre and
Head Office Melbourne:**

1 Gilbert Park Drive
Knoxfield, VIC 3180

Miele Experience Centre South Melbourne:

206-210 Coventry Street
South Melbourne, VIC 3205

Miele Experience Centre and Office Sydney:

3 Skyline Place
Frenchs Forest, NSW 2086

Miele Experience Centre and Office Brisbane:

39 Harvey Street North
Eagle Farm, QLD 4009

Miele Experience Centre Gold Coast:

131 Ferry Road
Southport, QLD 4215

Miele Experience Centre and Office Adelaide:

83-85 Sir Donald Bradman Drive
Hilton, SA 5033

Miele Experience Centre and Office Perth:

205-207 Stirling Highway
Claremont, WA 6010



www.miele.com.au



Miele New Zealand Limited

IRD 98 463 631

Head Office:

Level 2, 10 College Hill
Freemans Bay, Auckland 1011

**Miele Experience Centre
Auckland:**

8 College Hill
Freemans Bay, Auckland 1011
Telephone:
0800 464 353 (0800 4 MIELE)
www.miele.co.nz

Miele Global Headquarters

Germany

Miele & Cie. KG

Carl-Miele-Straße 29
33332 Gütersloh
Federal Republic of Germany

TDA 150 C



en-AU, NZ

M.-Nr. 10 002 130 / 02