

TECHNICAL MARKETING DOCUMENT



RapidRun® Optical Flying Leads

Use with a RapidRun Optical Runner for any display requiring an HDMI or DVI connection for audio/video

OVERVIEW

RapidRun Optical is designed to be the standard for in-wall audio/video installations. Using pre-terminated break-away flying leads and wall plates with an in-wall runner ensures flexible, efficient, high quality connections for all types of equipment, with no field terminations.

Ideal for high resolution displays utilizing HDMI, DVI and DisplayPort—these flying leads allow for an extremely clean finish with little to no cable clutter at the source or display.

Note:

- Each complete RapidRun Optical solution requires a break-away flying lead or wall plate to terminate each end of the runner cable.
- Each runner requires (2) break-away flying leads, (2) wall plates, OR (1) break-away flying lead and (1) wall plate.
- Some HDMI source devices are unable to output the power required to send A/V signals over the Optical runner cable which results in no image being displayed. In those instances, an HDMI Voltage Inserter (42223 or 42236) may be required.

FEATURES

- Supports full 1080p, 4k, 3D HDMI features up to 1000 feet which meet and exceed today's HDMI requirements
- Utilizes fiber cabling, so no need to worry about EMI/RFI interference that is present in copper cabling
- Powered with USB at the display side, which allows the source side to be clean of excess cables

APPLICATIONS

- In-wall rated HDMI and DVI signal extension
- Long distance HDMI and DVI signal extension

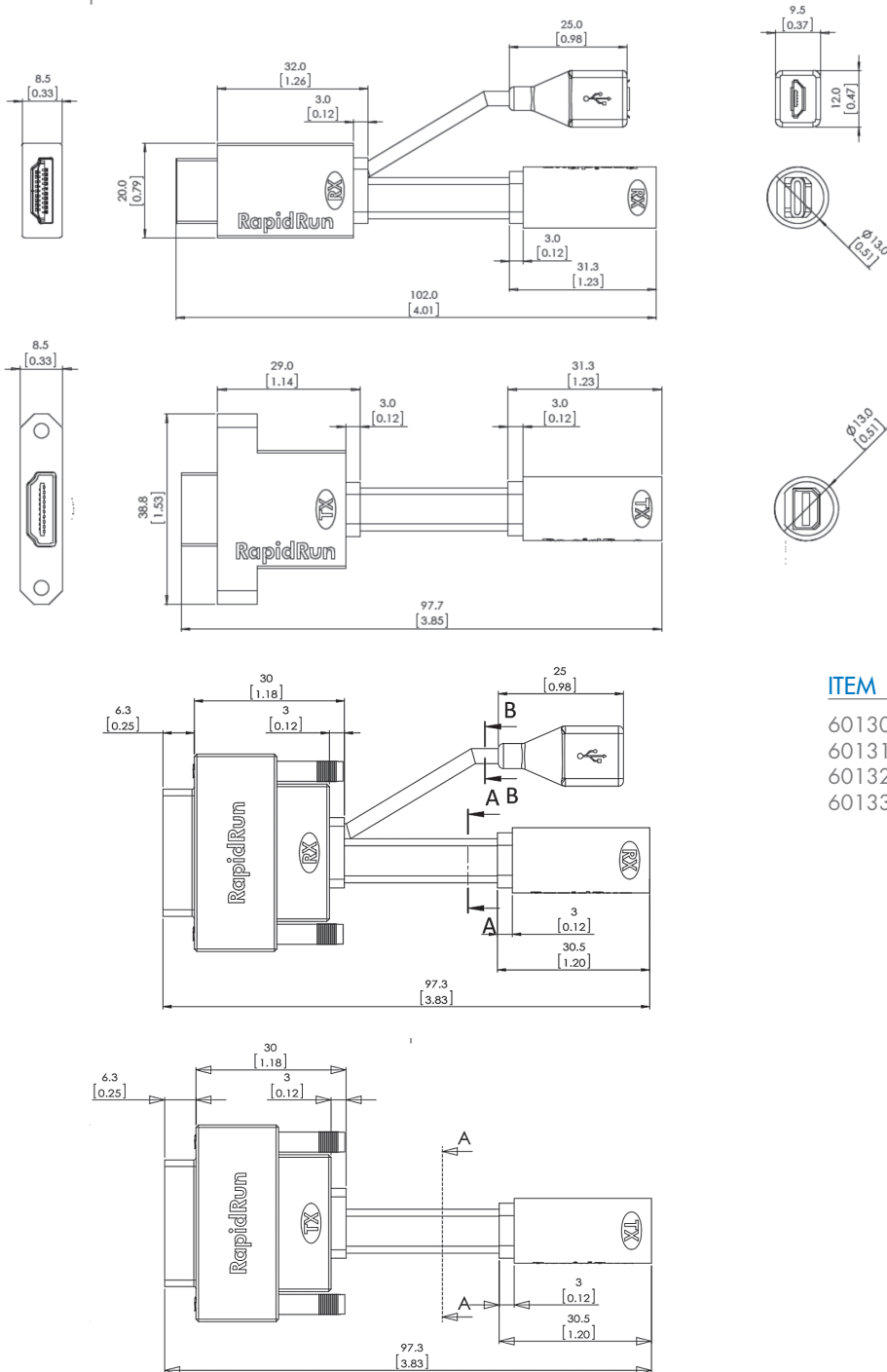
SPECIFICATIONS:
RapidRun Optical Flying Leads

ELECTRICAL CHARACTERISTICS:

Resolutions Supported (HDMI): 4k x 2k 60Hz, 4k x 2k 30Hz, 1080p, 720p, 480p
 Resolutions Supported (DVI): 4k x 2k 30Hz, 1080p, 720p, up to 1920 x 1080 @60Hz
 HDMI Features Supported: Ethernet Return Channel, HDMI High Speed, HDCP, EDID, CEC, Audio Return Channel
 Power Consumption: Max 5V @ 135mA
 Idle: 5V @ 125mA
 Normal Operation: 5V @ 128mA

PHYSICAL CHARACTERISTICS:

Flying Lead Length: 4 inches
 Color Designation: Optical
 Temperature Rating: 0°C ~ 70°C
 Humidity: 0% ~ 90% RH
 Bend Radius: 5mm
 Compliance: UL/CSA, CE, FCC, RoHS2



ITEM	DESCRIPTION
60130	RapidRun HDMI Transmitter Flying Lead
60131	RapidRun HDMI Receiver Flying Lead
60132	RapidRun DVI Transmitter Flying Lead
60133	RapidRun DVI Receiver Flying Lead



CABLES TO GO

Cables To Go
 3555 Kettering Blvd.
 Moraine, OH 45439
 Phone: 800.287.2843
 www.c2g.com

Follow Us

