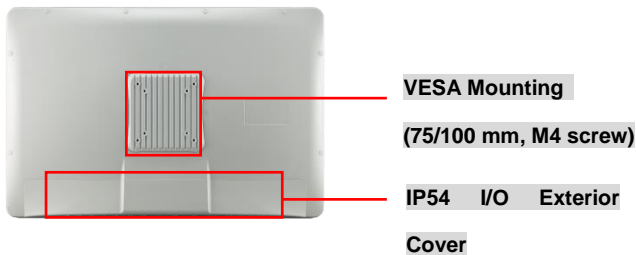


POC-W243 Appearance



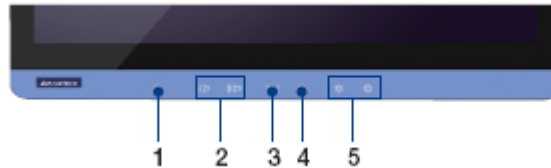
* Please use VESA compatible mounting only.



Packing List

- (1) POC-W243
- (2) Accessory box
 - ✓ This quick start manual x 1
 - ✓ Simpro HPU101-107 (18Vdc/5.55A) adapter x 1
 - ✓ Drivers & Manuals CD x 1
 - ✓ Tool bag: spare screws, rubber connectors, and DRAM thermal pad & shielding cases

(1) Function Keys



- (1) Power On/Off
- (2) Volume Control
- (3) Touchscreen Function Control
- (4) Read Light Control
- (5) Brightness Control

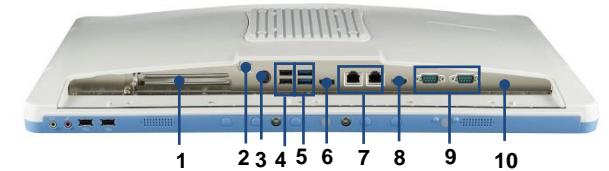
(2) I/O Ports

<Front>



- (1) Speaker Out
- (2) MIC-in
- (3) 2 x USB 2.0 Ports

<Rear>



- (1) PCIe (x4) card slot
- (2) Equipotential Terminal Pin
- (3) DC in
- (4) 2 x USB 2.0 ports
- (5) 2 x USB 3.0 Ports
- (6) Displayport
- (7) 2 x Gigabit Ethernet Interfaces (RJ-45)
- (8) HDMI
- (9) 2 x RS-232/422/485(isolated) serial port
- (10) iDoor Module

How to setup IP54 wiring:

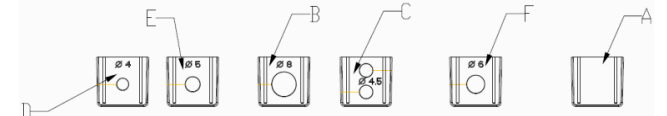
- 1) Remove the 4 screws and take off the I/O cover.



- 2) Insert appropriate rubber connectors into appropriate slots and place cables in holes.



Suggestion of suitable hole sizes for your reference:

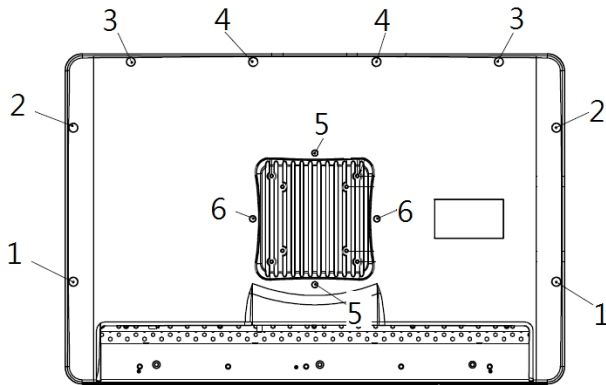


- A. Original
- B. $\Phi 8$ for VGA cable
- C. $\Phi 4.5$ (2-hole) for USB cable
- D. $\Phi 4$ for USB cable
- E. $\Phi 5$ for LAN or COM cable
- F. $\Phi 6$ for Power or HDMI cable

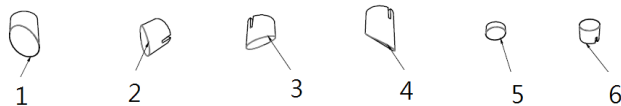
3) Reinstall I/O exterior and plugs.

Notice of Plugs:

- 1) Use tweezers to pull out/insert back plugs when detaching back cover to change hardware configuration.
- 2) Read number on plugs for mapping:



Plugs:



(3) Easy Setup

Power On Computer:

- 1) Make sure Equipotential Terminal is connected to equipotential ground in the hospital.
- 2) Connect the adapter to Power DC-IN. Please note that using different adaptors may put the system into risk.
- 3) Press Power On/ Off. The button will turn green.

Driver Installation:

Advantech provides all necessary drivers for installation. User can install the driver by themselves.

- 1) Make sure the OS has been successfully installed. If you have difficulty installing an OS, please follow the instructions in the POC-W243 User Manual.
- 2) Download driver package from the Advantech Support website:
http://support.advantech.com/support/new_default.aspx.
- 3) Follow the instructions shown in the dialog to finish the installation.

* Please use a clean OS to install the driver; otherwise, unexpected errors may occur.
* Should you only want to install specific drivers, please follow the instructions in the POC-W243 User Manual.

Caution:

- PCIe connection requires matching of specification. Not every PCIe card assures compatibility. Contact Advantech regional service center before use.
- Do not hit the corners of touch screen, or the glass may be cracked.

(4) Cleaning and Disinfecting

During normal use, a POC (Point-of-Care) terminal may become dirty and should be cleaned regularly.

- 1) Prepare a cleaning agent per manufacturer's instruction or hospital protocol.
- 2) Prepare a clean cloth that has been moistened in a cleaning solution.
- 3) Wipe the POC thoroughly with a clean wipe.

Applicable Cleaning Agents List

No	Cleaning Agents	No	Cleaning Agents
1	Cidex	11	Virkon and water (1:100)
2	Isopropyl alcohol	12	DISPATCH
3	Green tintured soap	13	SDW 70C
4	Windex	14	Trigene
5	Alcohol	15	ANTIGONE WIPES
6	Alcohol 70%	16	SporeClear
7	Incidin plus	17	AntiGone
8	Incidin liquid	18	MikroBac
9	Mikrozid liquid		
10	Chloride 1000ppm		

* Do not immerse or rinse a POC terminal or its peripherals.
* Do not spray cleaning agents on the chassis
* Do not use disinfectants containing phenol