

Lexmark MS310 Series Monochrome Laser Printer

Convenient Printing. Compact Design.

The Lexmark MS310 Series provides speed, reliability and convenience in a compact design. Enhance productivity and save time—print your first page in as little as 6.5 seconds. *Need network capability? Get the MS310dn.*



Up to 35
ppm



Network



Duplex



Eco-Mode



Packed with Power. Ready to Produce.

Don't let the size fool you. The Lexmark MS310 Series laser printers quickly produce high quality, professional prints in a space-saving design.

Print Complex Documents Fast - With 128 MB of memory and a powerful 800 MHz dual-core processor, it prints documents with graphics and images effortlessly.

Reliable Performance - Easily print up to 2,500 pages per month, plus enjoy fewer maintenance hassles, thanks to our state-of-the-art paper handling.

Run Jobs without Interruption - An input capacity of up to 850 sheets means you won't have to add paper as often.

Get Work Done Quickly - Enjoy print speeds up to 35 pages per minute plus print your first page in as little as 6.5 seconds.

Professional Results. No Training Required.

Look sharp from the start: the MS310 Series with impressive speed lets you power through any print job quickly.

Fast Set Up - Instructions are easy. You'll be up and running in minutes.

High Resolution Graphics - With up to true 1200x1200 dpi resolution, images and graphics stay crisp. Lexmark's Unison™ Toner ensures consistent quality, too.

Easy-to-Read Control Panel - Stay on top of your printing jobs with our bright LED control panel that's easy to see.

Innovative Toner That Optimizes Performance - Get greater system performance with Lexmark's Unison™ Toner, which delivers consistent image quality from first print to last.

Get More Work Done. Effortlessly.

Quickly respond to changing business needs with our eco-friendly printers that streamline your workflow.

Help Workers Do More - Our system can print jobs from the network faster, so your teams stay productive. Looking for standard Ethernet networking? Choose the MS310dn.

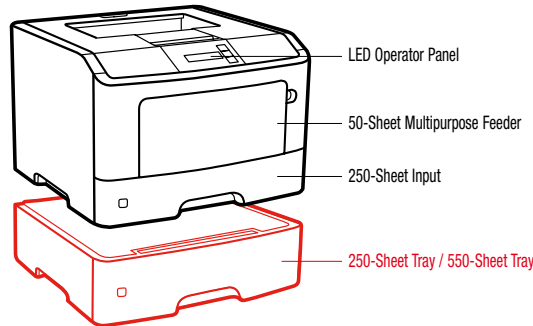
Enjoy Enterprise-level Security - Audit employee usage and protect sensitive data using standard network security protocols.

Save Resources and the Planet - An instant warm-up fuser, built-in 2-sided printing, plus Quiet, Hibernate and Eco modes minimize noise and save paper and energy.

Print Anytime and Anywhere⁶ - With this system, you can print from desktops as well as mobile devices that can run applications.

LEXMARK
TM

Lexmark MS310 Series Monochrome Laser Printer



Standard
 Optional

Product specifications	Lexmark MS310d	Lexmark MS310dn
Printing		
Print Speed: Up to ¹		Black: 35 ppm
Time to First Page: As fast as		Black: 6.5 seconds
Print Resolution		Black: 1200 Image Quality, 1200 x 1200 dpi, 2400 Image Quality, 600 x 600 dpi
Memory / Processor		Standard: 128 MB / Maximum: 128 MB / Processor: Dual Core, 800 MHz
Hard Disk		Not Available
Recommended Monthly Page Volume ²		500 - 2500 pages
Maximum Monthly Duty Cycle: Up to ³		50000 pages per month
Supplies⁵		
Laser Cartridge Yields		1,500 ¹ -page Cartridge, 5,000 ¹ -page Black High Yield Cartridge
Cartridge(s) Shipping with Product		1,500 ¹ -page Return Program Toner Cartridge
Paper Handling		
Included Paper Handling		250-Sheet Input, 50-Sheet Multipurpose Feeder, 150-Sheet Output Bin, Integrated Duplex
Optional Paper Handling		250-Sheet Tray, 550-Sheet Tray
Paper Input Capacity: Up to		Standard: 300 pages 20 lb or 75 gsm bond / Maximum: 850 pages 20 lb or 75 gsm bond
Paper Output Capacity: Up to		Standard: 150 pages 20 lb or 75 gsm bond / Maximum: 150 pages 20 lb or 75 gsm bond
Media Types Supported		Card Stock, Envelopes, Paper Labels, Plain Paper, Transparencies, Refer to the Card Stock & Label Guide
Media Sizes Supported		10 Envelope, 7 3/4 Envelope, 9 Envelope, A4, A5, DL Envelope, Executive, Folio, JIS-B5, Legal, Letter, Statement, Universal, Oficio, A6
General		
Standard Ports	Centronics IEEE 1284 Bidirectional Parallel, USB 2.0 Specification Hi-Speed Certified (Type B)	Centronics IEEE 1284 Bidirectional Parallel, USB 2.0 Specification Hi-Speed Certified (Type B), Ethernet 10/100BaseTX (RJ-45), also works with 1000Base-T
Optional Network Ports / Optional Local Ports		External MarkNet™ N7020e Gigabit Ethernet, MarkNet N8352 802.11b/g/n Wireless
Noise Level, Operating		Printing: 53 dBA
Product Warranty		1-Year Exchange Service, Next Business Day
Size (in. - H x W x D) / Weight (lb.)		10.3 x 15.7 x 15.0 in. / 30.9 lb.

¹ Average standard page yield value declared in accordance with ISO/IEC 19752. ² "Recommended Monthly Page Volume" is a range of pages that helps customers evaluate Lexmark's product offerings based on the average number of pages customers plan to print on the device each month. Lexmark recommends that the number of pages per month be within the stated range for optimum device performance, based on factors including: supplies replacement intervals, paper loading intervals, speed, and typical customer usage. ³ "Maximum Monthly Duty Cycle" is defined as the maximum number of pages a device could deliver in a month using a multishift operation. This metric provides a comparison of robustness in relation to other Lexmark printers and MFPs. ⁴ Print and copy speeds measured in accordance with ISO/IEC 24734, excludes first set of test documents. For more information see: www.lexmark.com/ISOspeeds. ⁵ Product functions only with replacement cartridges designed for use in a specific geographical region. See www.lexmark.com/regions for more details. ⁶ For more information on Lexmark Mobile Solutions see: http://www1.lexmark.com/en_US/solutions/business-solutions/mobile-print/index.shtml



Lexmark and Lexmark with the diamond design are trademarks of Lexmark International, Inc., registered in the United States and/or other countries. All other trademarks are the property of their respective owners. ENERGY STAR® is a U.S. registered mark. Information in this document is subject to change without notice. Unison is a trademark of Lexmark International, Inc.

LEXMARK
TM