

Intel® NUC 8 Mainstream-G mini PC NUC8i7INH

Intel® NUC 8 Mainstream-G mini PC NUC8i5INH

User Guide

<April 2019>



You may not use or facilitate the use of this document in connection with any infringement or other legal analysis concerning Intel products described herein. You agree to grant Intel a non-exclusive, royalty-free license to any patent claim thereafter drafted which includes subject matter disclosed herein.

No license (express or implied, by estoppel or otherwise) to any intellectual property rights is granted by this document.

All information provided here is subject to change without notice. Contact your Intel representative to obtain the latest Intel product specifications and roadmaps.

The products described may contain design defects or errors known as errata which may cause the product to deviate from published specifications. Current characterized errata are available on request.

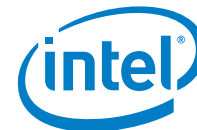
Copies of documents which have an order number and are referenced in this document may be obtained by calling 1-800-548-4725 or by visiting: <http://www.intel.com/design/literature.htm>.

Intel technologies' features and benefits depend on system configuration and may require enabled hardware, software or service activation. Performance varies depending on system configuration. No computer system can be absolutely secure.

Intel and the Intel logo are trademarks of Intel Corporation or its subsidiaries in the U.S. and/or other countries.

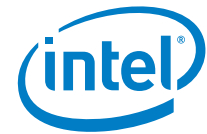
*Other names and brands may be claimed as the property of others.

Copyright © 2019, Intel Corporation. All rights reserved.



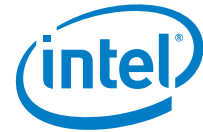
Contents

1.0	Introduction	5
1.1	Before You Begin	5
1.2	Installation Precautions.....	5
1.3	Observe Safety and Regulatory Requirements.....	6
2.0	Open the Chassis	7
3.0	System Memory	8
3.1	Upgrade to Different Memory	Error! Bookmark not defined.
3.2	Install Additional Memory	Error! Bookmark not defined.
4.0	Changing the M.2 SSD	9
5.0	Install a 2.5" SSD or Hard Drive	10
6.0	Close the Chassis	11
7.0	Use the VESA Bracket (Optional)	12
8.0	Connect Power	14
9.0	Set Up Microsoft® Windows® 10	16
10.0	Install the Latest Device Drivers and Software	17
11.0	Operating System Recovery	17



Revision History

Date	Revision	Description
<Apr 2019>	1.0	Initial release.



1.0 Introduction

This User Guide provides step-by-step installation instructions for these products:

- Intel® NUC 8 Mainstream-G mini PC NUC8i7INH
- Intel® NUC 8 Mainstream-G mini PC NUC8i5INH

1.1 Before You Begin



CAUTIONS

The steps in this guide assume you're familiar with computer terminology and with the safety practices and regulatory compliance required for using and modifying computer equipment.

Disconnect the computer from its power source and from any network before performing any of the steps described in this guide.

Failure to disconnect power, telecommunications links, or networks before you open the computer or perform any procedures can result in personal injury or equipment damage. Some circuitry on the board can continue to operate even though the front panel power button is off.

Follow these guidelines before you begin:

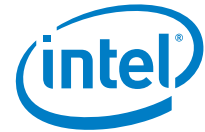
- Always follow the steps in each procedure in the correct order.
- Create a log to record information about your computer, such as model, serial numbers, installed options, and configuration information.
- Electrostatic discharge (ESD) can damage components. Perform the procedures described in this chapter only at an ESD workstation using an antistatic wrist strap and a conductive foam pad. If such a station isn't available, you can provide some ESD protection by wearing an antistatic wrist strap and attaching it to a metal part of the computer chassis.

1.2 Installation Precautions

When you install and test the Intel NUC, observe all warnings and cautions in the installation instructions.

To avoid injury, be careful of:

- Sharp pins on connectors



- Sharp pins on circuit boards
- Rough edges and sharp corners on the chassis
- Hot components (such as SSDs, processors, voltage regulators, and heat sinks)
- Damage to wires that could cause a short circuit

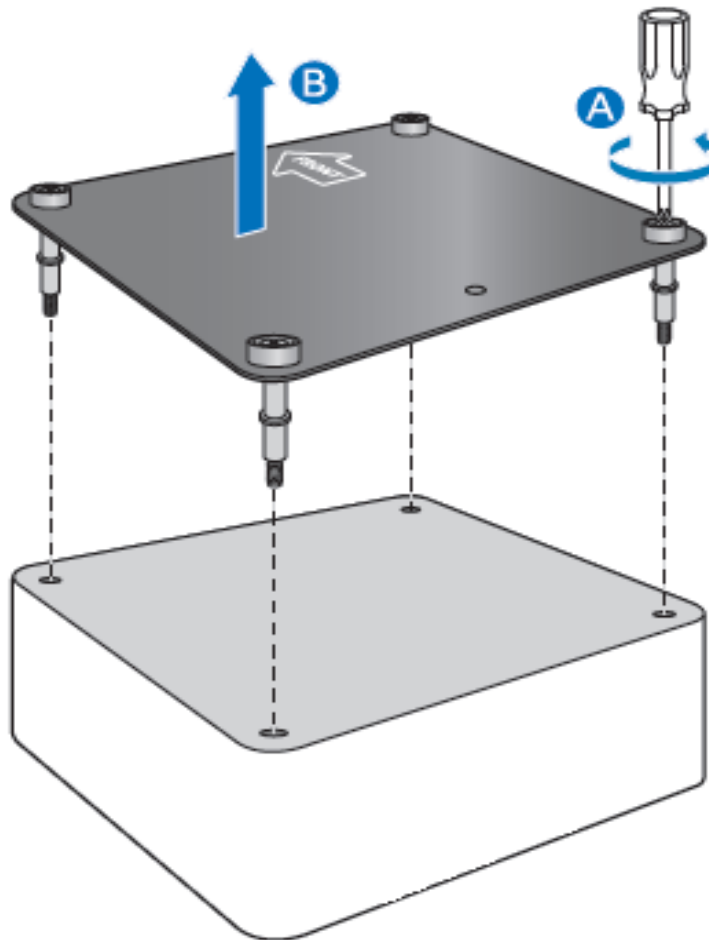
Observe all warnings and cautions that instruct you to refer computer servicing to qualified technical personnel.

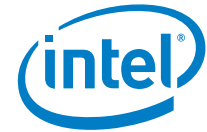
1.3 Observe Safety and Regulatory Requirements

If you don't follow these instructions, you increase your safety risk and the possibility of noncompliance with regional laws and regulations.

2.0 *Open the Chassis*

Unscrew the four corner screws on the bottom of the chassis and lift the cover.





3.0 System Memory

The Intel NUC mini PC NUC8i7INH and NUC8i5INH have 8GB of RAM soldered down

Pre-integrated memory

NUC8i7INH	8GB
NUC8i5INH	8GB

There is no option to upgrade/change the memory configuration.

4.0 Changing the M.2 SSD

The Intel NUC mini PC NUC8i7INH and NUC8i5INH support an 80mm SSD.

Pre-installed M.2

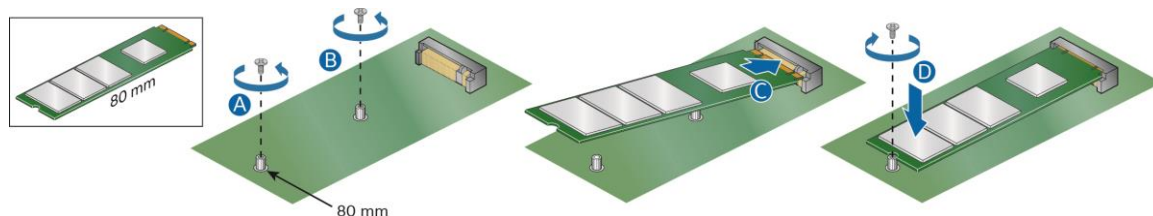
NUC8i5INHJA	One 16GB Intel Optane Memory module
NUC8i7INHJA	One 16GB Intel Optane Memory module
NUC8i5INHPA	256GB m.2 SSD
NUC8i7INHPA	256GB m.2 SSD

Find compatible M.2 SSDs in the Intel Product Compatibility Tool:

- [NUC8i5INH](#)
- [NUC8i7INH](#)

To install a different M.2 SSD:

1. Remove the small silver screw from the 80mm metal standoff on the board (A).
2. Remove the pre-installed SSD/Intel Optane Memory from the connector.
3. Align the space at the bottom of the new M.2 SSD to the key on the connector.
4. Secure the card to the standoff with the small silver screw (C).



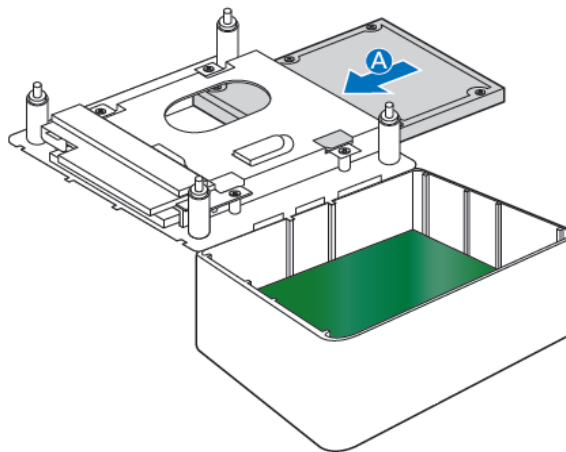
5.0 Install a 2.5" SSD or Hard Drive

The Intel NUC mini PC NUC8i7INH and NUC8i5INH support an additional 2.5" Solid State Drive (SSD) or Hard Disk Drive (HDD).

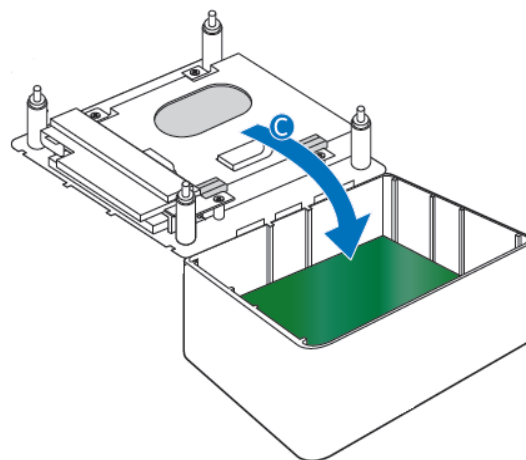
Find compatible 2.5" drives in the Intel Product Compatibility Tool:

- [NUC8i5INH](#)
- [NUC8i7INH](#)

1. Unscrew the four screws holding the current drive in the bay.
2. Remove the pre-installed drive from the drive bay.
3. Slide the new 2.5" drive into the drive bay, ensuring the SATA connectors are fully seated into the connectors of the SATA daughter card (A).

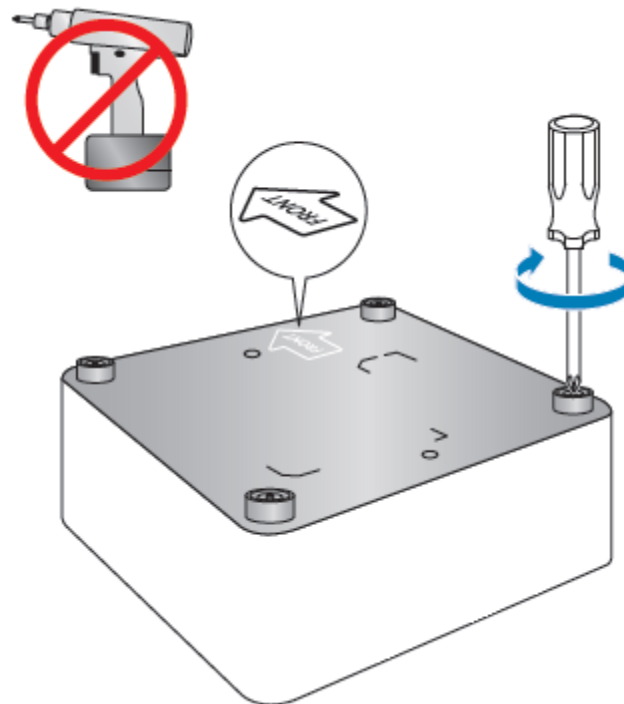


4. Secure the drive into the drive bay with the four screws that were used in step 1. Set the drive bay bracket down inside the chassis (C).



6.0 Close the Chassis

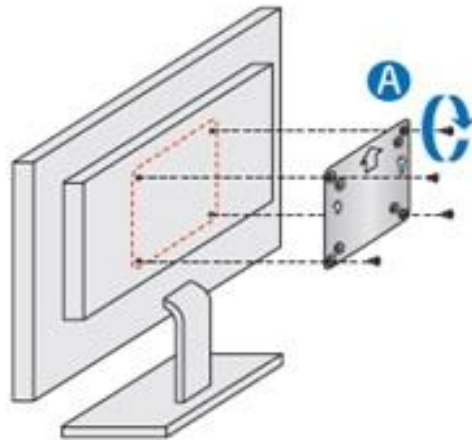
After all components have been installed, close the Intel NUC chassis. Intel recommends this be done by hand with a screwdriver to avoid over-tightening and possibly damaging the screws.



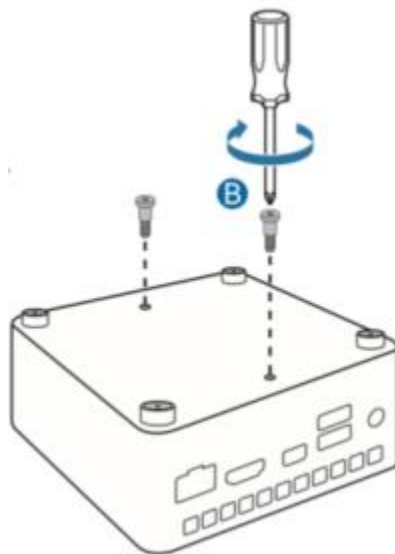
7.0 Use the VESA Bracket (Optional)

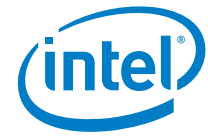
Follow these instructions to attach and use the VESA mount bracket:

1. Using the four small black screws that were included in the box, attach the VESA bracket to the back of the monitor or TV.

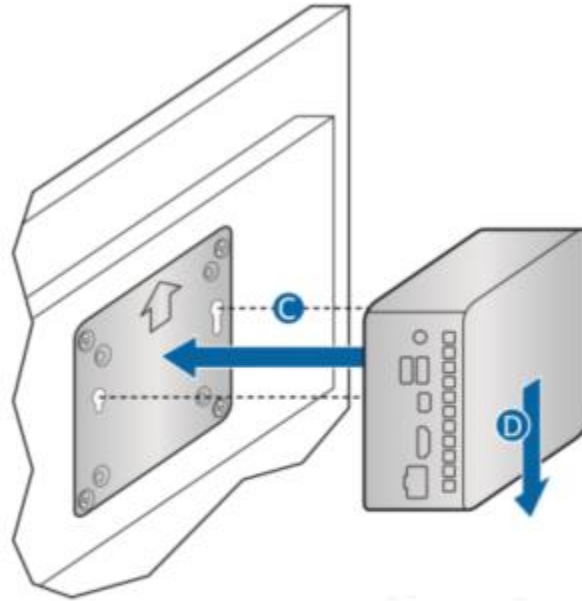


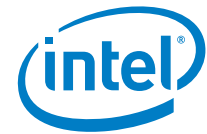
2. Attach the two slightly larger black screws to the bottom chassis cover of the Intel NUC.





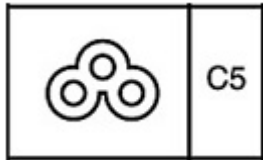
3. Slide the Intel NUC onto the VESA mount bracket.

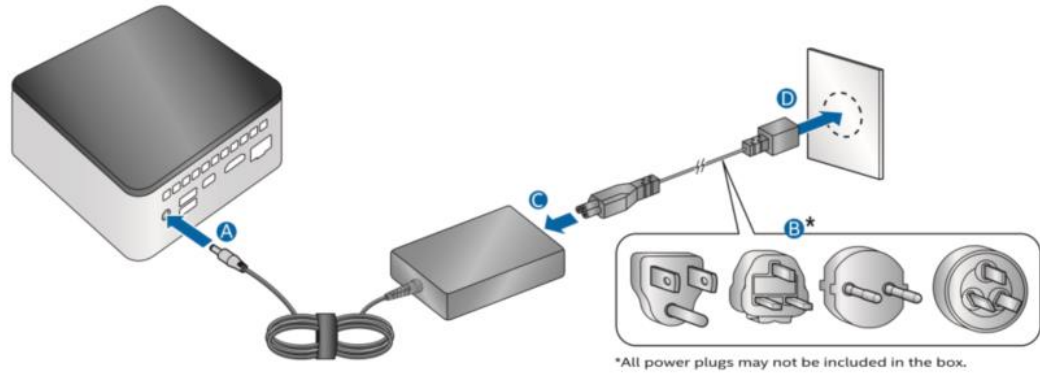




8.0 Connect Power

Each Intel NUC model includes either a region-specific AC power cord or no AC power cord (only the power adapter).

Product codes	Power cord type
BXNUC8i5INHXX BXNUC8i7INHXX	No power cord included. An AC power cord needs to be purchased separately. Power cords are available at many Internet sites for use in multiple countries. The connector on the power adapter is a C5 type connector. 
BXNUC8i5INHJA1 BXNUC8i5INHPA1 BXNUC8i7INHJA1 BXNUC8i7INHPA1	US power cord included.
BXNUC8i5INHJA2 BXNUC8i5INHPA2 BXNUC8i7INHJA2 BXNUC8i7INHPA2	EU power cord included.
BXNUC8i5INHJA3 BXNUC8i7INHJA3	UK power cord included.
BXNUC8i5INHJA4 BXNUC8i7INHJA4	Australia/New Zealand power cord included.
BXNUC8i5INHP6 BXNUC8i7INHP6 BXNUC8i7INHZ6	China power cord included.





9.0 *Set Up Microsoft® Windows® 10*

Microsoft Windows 10 is already installed on the Intel NUC mini PC. The first time you start the computer, you are guided through the Windows 10 setup steps, including:

- Selecting your region and language.
- Accepting the Microsoft Windows license terms.
- Personalizing Windows and assign a PC Name.
- "Get Online" dialog to pick a wireless network (this step is optional).
- Choosing Express Settings or Customize.
- Assigning a User Name and Password.

Reinstalling the Operating System

If you upgrade or replace the computer's drive, you may need to install a new version of the operating system. See these resources:

- [Supported Operating Systems](#)
- [Windows Setup Guide](#)



10.0 *Install the Latest Device Drivers and Software*

Here are the options for keeping device drivers current:

- Allow the [Intel® Driver & Support Assistant \(Intel® DSA\)](#) to detect out-of-date drivers
- Manually download drivers, BIOS, and software from Download Center:
 - [NUC8i5INH](#)
 - [NUC8i7INH](#)

The following device drivers and software are available.

- Intel® Chipset Device Software
- Radeon Graphics
- Intel® Management Engine
- Intel® Gigabit Ethernet
- Intel® Wireless
- Intel® Bluetooth
- Intel® Serial IO
- Realtek* High Definition Audio
- Realtek* Card Reader
- ITE Tech* Consumer Infrared
- Intel® Rapid Storage Technology
- Intel® Software Guard Extensions
- Intel® MPX Runtime Driver



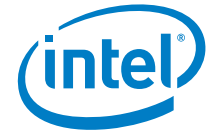
11.0 Operating System Recovery

There's a Windows recovery partition on the Intel NUC. You can use this partition to Refresh, Reset, or Restore Windows. Here is what each of these actions do:

Refresh	<p>If your PC isn't performing as well as it once did, and you don't know why, you can refresh your PC. This action doesn't delete any of your personal files or change your settings. Refresh does the following:</p> <ul style="list-style-type: none">• Files and personalization settings won't change.• PC settings are changed back to their defaults.• Apps from the Windows Store are kept.• Apps installed from disks or websites are removed.• List of removed apps is saved on the desktop.
Reset	<p>If you want to recycle your PC, give it away, or start over with it, you can reset it completely. This process removes everything. Reset does the following:</p> <ul style="list-style-type: none">• All personal files and apps are removed.• PC settings are changed back to their defaults.• Windows is reinstalled.
Restore	<p>If a recently installed app or driver is causing problems with your PC, you can restore Windows back to an earlier point in time, called a restore point. System Restore doesn't change your personal files, but it can remove recently installed apps and drivers.</p>

Caution - Before performing a Refresh or Reset:

- Make sure to back up all personal data to external storage.
- Remove SD card from the card slot, if one is inserted.



To access the recovery media:

If Windows starts	From Windows Start, type Recovery and select Recovery Options . See Recovery options in Windows 10 for complete details on how to use the recovery options.
If Windows doesn't start	The recovery process should automatically start. If Recovery doesn't automatically start, you can try to initiate it as follows: <ol style="list-style-type: none">1. Press F8 during boot, when you see the prompt "F8 to Activate Windows 8.1/10 Recovery Mode".2. Follow the recovery steps.