

KODAK LUMA 350
PORTABLE SMART PROJECTOR



User Manual

4.4"H | 4.4"W | 0.87"D (11.2 cm | 11.2 cm | 2.2 cm)

Please read all directions before using the product and retain this guide for reference.

CONTENTS

1	INTRODUCTION	3
2	SPECIFICATIONS	3
3	BOX CONTENTS	3
4	SAFETY PRECAUTIONS	3-4
5	PRODUCT OVERVIEW	4
6	REMOTE CONTROL OVERVIEW	5
7	USING YOUR PHONE	5
8	USING A MOUSE	6
9	CHARGING THE PROJECTOR	6
10	USING THE PROJECTOR TO CHARGE DEVICES	7
11	USING THE AUDIO OUT JACK	7
12	POWERING THE PROJECTOR ON/OFF	7
13	PHOTO PLAYBACK CONTROLS	8
14	VIDEO PLAYBACK CONTROLS	8
15	ADJUSTING FOCUS	8
16	ADJUSTING VOLUME	9
17	CONNECTING TO WIRELESS NETWORKS	9-10
18	ADJUSTING BRIGHTNESS	10
19	SET THE SCREEN ORIENTATION	10-11
20	SETTING DATE AND TIME	11
21	RESETTING THE PROJECTOR	11-12
22	CONNECTING EXTERNAL DEVICES	12
23	SCREEN MIRRORING (ANDROID/WINDOWS - MIRACAST®)	13
24	SCREEN MIRRORING (IOS)	13-14
25	PRE-LOADED APPS	14
26	USING THE APP STORE	14
27	UPDATING YOUR SOFTWARE	15
28	CUSTOMER SERVICE	15
29	WARRANTY	15-17

1. INTRODUCTION

Thank you for purchasing the KODAK LUMA 350 PORTABLE SMART PROJECTOR. This User Guide is intended to provide you with guidelines to ensure that operation of this product is safe and does not pose risk to the user. Any use that does not conform to the guidelines described in this User Guide may void the limited warranty.

Please read all directions before using the product and retain this guide for reference. This product is intended for household use only.

This product is covered by a limited one-year warranty. Coverage is subject to limits and exclusions. See warranty for details.

2. SPECIFICATIONS

Rated Input: 15V, 1.5A

Rated Output: 5V, 1.0A

ANSI Lumens: 150

Native Resolution: 854 x 480

3. BOX CONTENTS

KODAK LUMA 350

Remote Control

HDMI®-to-HDMI® Cable

Charging Cable

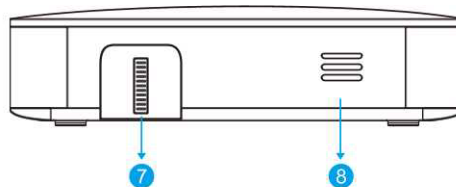
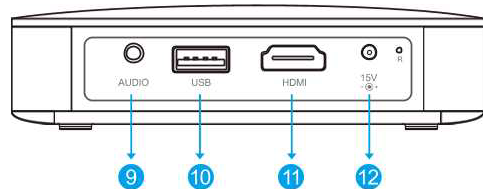
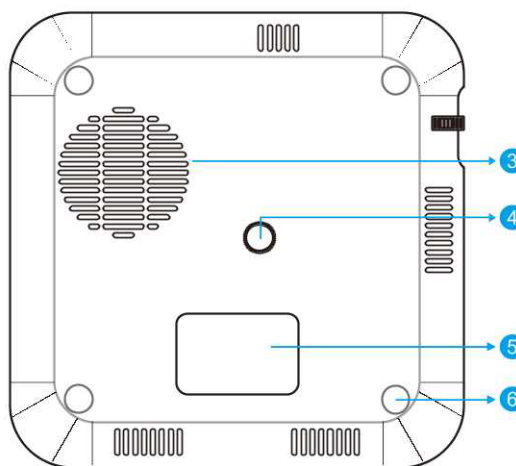
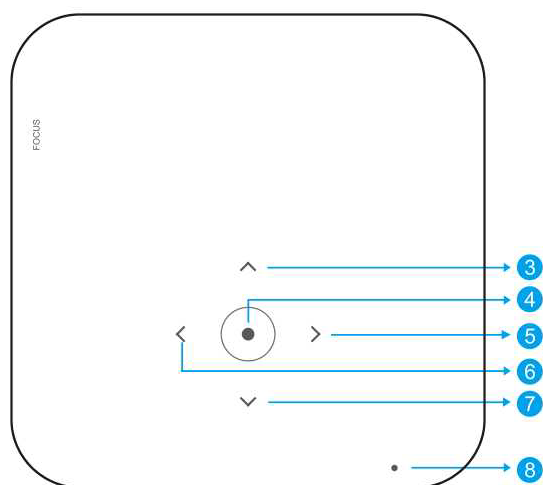
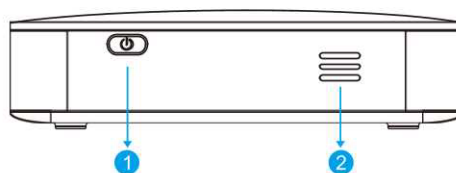
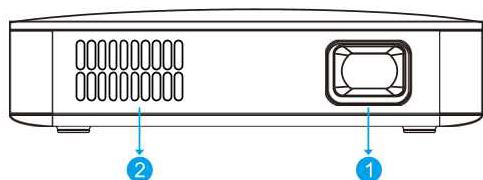
User Guide

4. SAFETY PRECAUTIONS

- Do not attempt to disassemble this device for any reason.
- Do not store the projector in areas where it will be exposed to high temperatures, humidity, or direct sunlight. Exposure to any or all of these could permanently damage the projector.
- Never handle the projector with damp or wet hands. This could damage the projector or create the risk of electric shock.
- Keep the projector out of the reach of children.
- Never point the projector at someone else's face or look directly into the projector light. The light is bright and could cause damage.
- Do not use products such as alcohol, gasoline, diluent, or any other organic solvent when cleaning or attempting to clean this product.
- Do not use this device in an environment where it will be exposed to heavy dust or humidity/moisture.
- Never drop or shake the projector, as this could cause it to malfunction or permanently damage the inside parts.
- Do not use the projector while bathing or in a shower.
- Do not place or store the projector where it can fall or be pulled into a tub or sink.

- Do not place, drop, or submerge the projector in water or any other liquid.
- If the projector somehow falls into water despite you taking all of the above precautions, please do not reach into the water to retrieve it. Unplug it immediately and then retrieve it.
- Take care that objects do not fall and liquids are not spilled onto the projector.

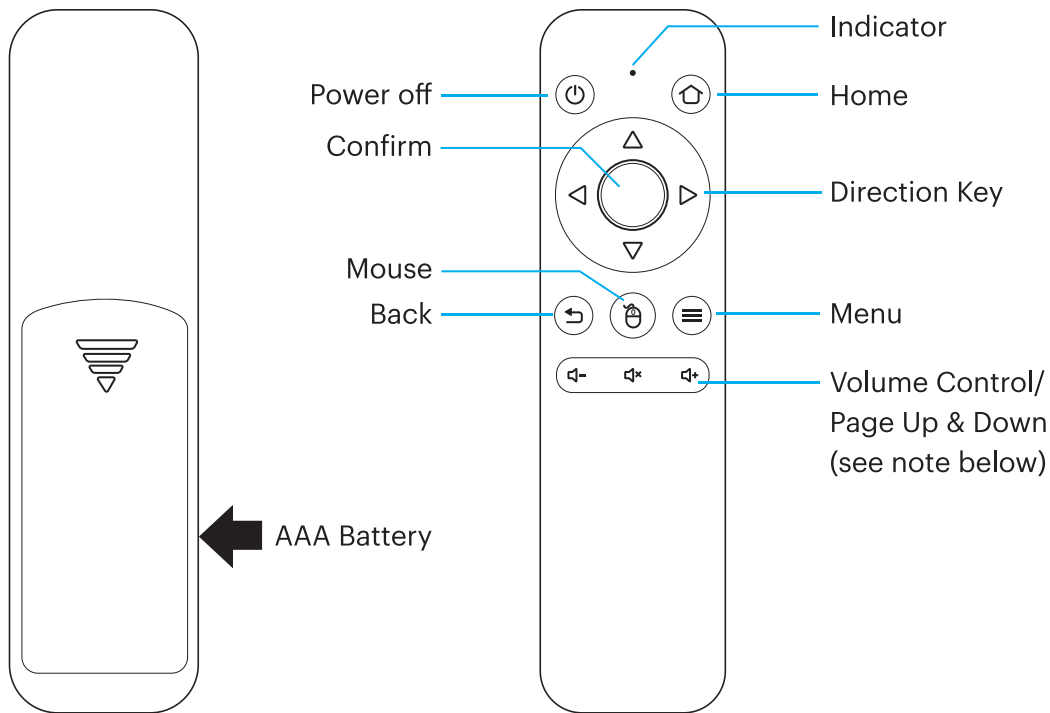
5. PRODUCT OVERVIEW



1. Lens
2. Air Outlet
3. Up
4. Confirm / Back (press more than 2 seconds)
5. Right
6. Left
7. Down
8. Power Indicator
9. Audio Output (3.5mm)
10. USB Input / Power Out
11. HDMI Input
12. DC Input (15V/1.5A)

1. Power
2. Speaker
3. Air Inlet
4. Tripod Dock
5. Rating Label
6. Non-slip Mat
7. Focus Wheel
8. Speaker

6. REMOTE CONTROL OVERVIEW



You will need to pair the remote control with the projector before using it. Follow these instructions to pair the 2.4G wireless remote with your projector.

1. Within two (2) minutes of turning on the projector, press and hold both the Vol + and Vol - keys for approximately three seconds.
2. The indicator light in the remote will flash quickly during this time and then stop. When the flashing stops, this indicates that the remote has successfully paired with the projector.

NOTE: While the mouse button is activated, the Volume + or Volume - keys will function as page up and down.

7. USING YOUR PHONE

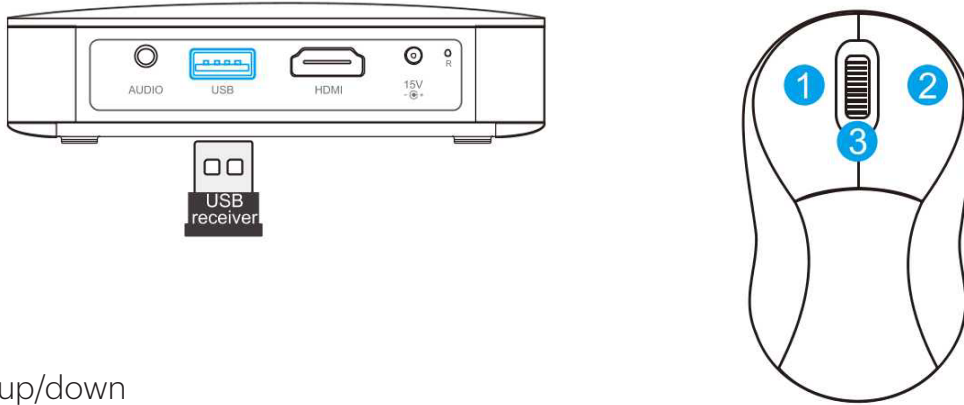
For greater ease of use and a more intuitive experience, you can control the projector with the KODAK LUMA Companion App from the Apple App Store or the Google Play store.

Once installed, you can use your phone as a remote to navigate through menus, mirror your screen, easily input login information for apps, and control media volume. Make sure to try out the reverse screen mirroring feature, which allows you to view the LUMA interface directly on your phone, and navigate that way!

1. Search for the KODAK LUMA in your phone's app store.
2. Download the app, and make sure that your phone is connected to the same Wi-Fi network as the projector.
3. Open the app and follow the instructions to pair it with the projector to enable remote functionality.

8. USING A MOUSE

If you'd rather use a mouse instead of the provided remote control, this projector supports USB and wireless mice, as well as USB and wireless keyboards.

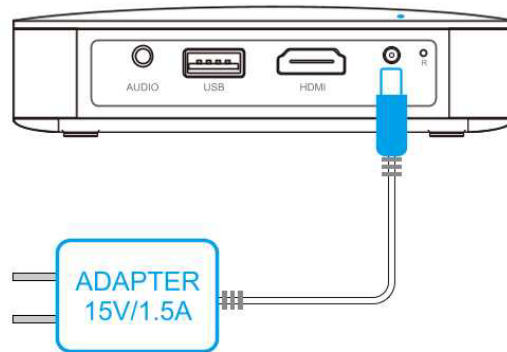


1. Left: Confirm
2. Right: Return
3. Wheel: Page up/down

9. CHARGING THE PROJECTOR

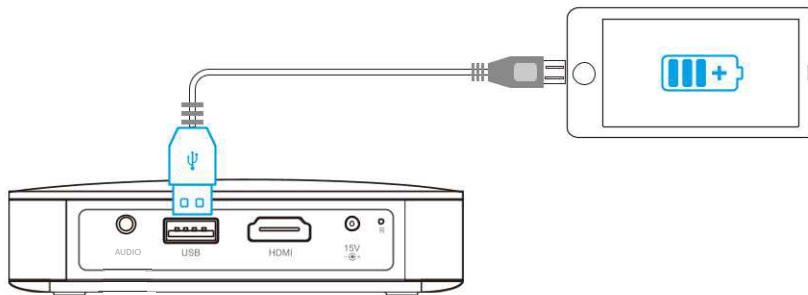
Before using the projector, connect it to the charger and allow it to fully charge. Always use the original charger that was provided to ensure proper charging.

If the red indicator LED light is flashing, this means that the battery is low and you should plug the projector in for it to recharge. While the projector is charging, the indicator LED will be a solid red light. Once the process has completed, the indicator LED will change to a solid white light.



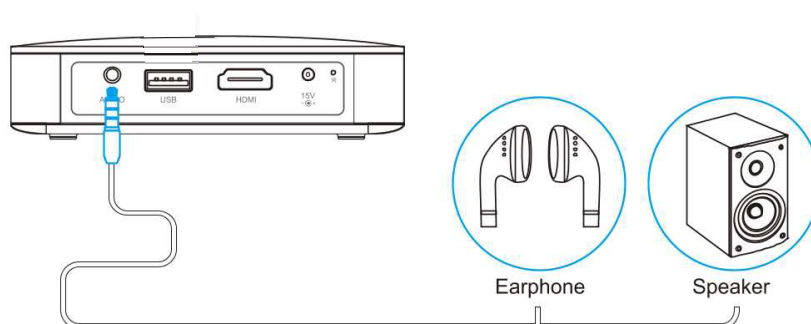
10. USING THE PROJECTOR TO CHARGE DEVICES

When the projector is powered on, you can connect the charging cable of your device to the USB port of the projector, and it will operate as a mobile power bank to charge your electronic devices. The power output is 5V/1A.



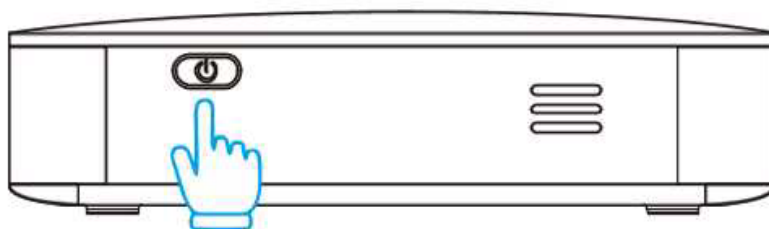
11. USING THE AUDIO OUT JACK

While the projector does include two (2) built-in speakers for regular use, you can also connect either headphones or a portable speaker to the 3.5mm AUDIO OUT jack as shown in the below image.



12. POWERING THE PROJECTOR ON/OFF

To turn the projector on or off, hold the power button on the side for three (3) seconds. Once powered on, tap the power button lightly to display the remaining battery percentage on the screen.



13. PHOTO PLAYBACK CONTROLS

To access your photos, from the home screen, navigate to Source > File Browser. From there you can view individual photos or a slideshow of all photos stored either on your removable storage, or on the projector itself (if you've downloaded anything). In slideshow mode, each photo will automatically display in the order they are stored.

To access the controls during playback, you will first need to tap the center circle button on top of the projector to bring up the control menu. Then you may perform the following actions:

1. Pause the slideshow: tap the center circle button. Tap it again to resume.
2. Play next image: tap the > button.
3. Return to previous image: tap the < button.

14. VIDEO PLAYBACK CONTROLS

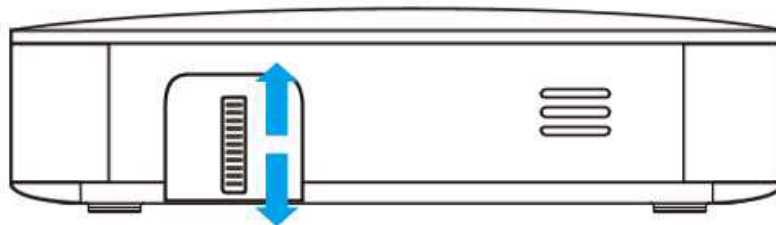
To access the controls during your video's playback, you will first need to tap the center circle button on top of the projector to bring up the control menu. Then you may perform the following actions:

1. Pause video: tap the center circle button. Tap it again to resume.
2. Fast forward: tap the > button. To increase the fast forward speed, tap the button again. Each press will increase the speed in this order: 2x, 4x, 8x, 16x.
3. Rewind: tap the < button. To increase the rewind speed, tap the button again. Each press will increase the speed in this order: 2x, 4x, 8x, 16x.
4. Exit video playback: Press and hold the center circle button for two seconds.

15. ADJUSTING FOCUS

If the image on the screen appears fuzzy or unfocused when you turn the projector on, use the focus wheel on the side to correct the image. Turn the wheel up or down until the image appears sharp and clear.

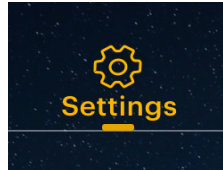
NOTE: If a specific image or video remains fuzzy after adjusting the focus wheel, try pressing and holding the confirm button to return to the home screen. If the home screen graphics appear clear and the image is still fuzzy, the problem may be the image or video quality.



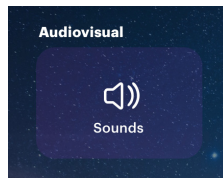
16. ADJUSTING VOLUME

To adjust the device volume during playback, use the ◀+ and ▶- buttons on the remote control. To adjust the volume without using the remote control, follow these instructions:

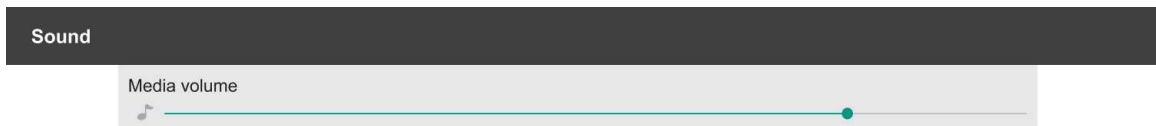
1. From the home screen, select Settings.



2. From the Settings menu, select Sounds.

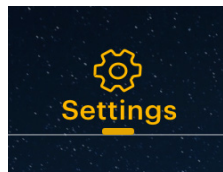


3. From the Sounds menu, you can adjust the volume of video playback as well as the volume level of system sounds.

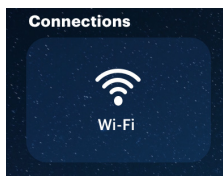


17. CONNECTING TO WIRELESS NETWORKS

1. From the home screen, select Settings.



2. From the Settings menu, select Wi-Fi.



3. Select the correct network from the list and use the arrows on top of the projector, your phone, or the remote to navigate the keyboard and enter the password.

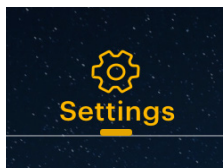
4. The projector should connect to that network whenever it is in range.

NOTE: It is necessary to connect to a wireless network if you want to take advantage of the Android functionality on your projector.

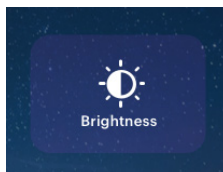
18. ADJUSTING BRIGHTNESS

If you'd like to adjust the brightness of your projector to conserve electricity and energy usage, follow these steps:

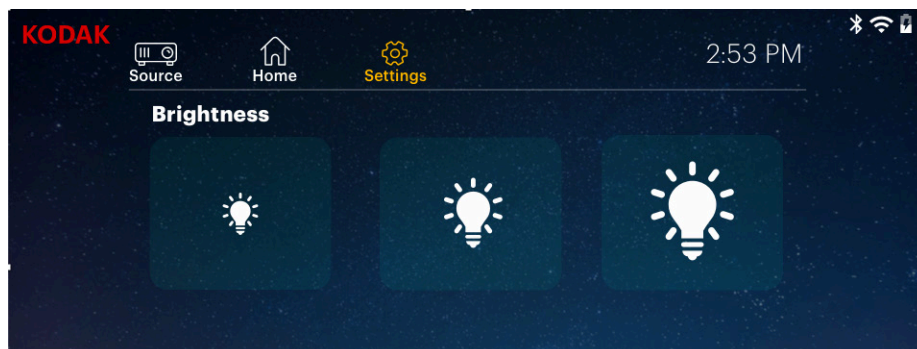
1. From the home screen, select Settings.



2. From the Settings menu, select Brightness.



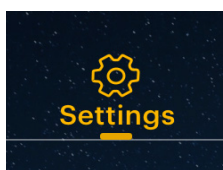
3. Choose between three settings of brightness: low, medium, and high.



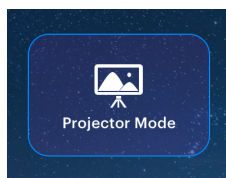
19. SET THE SCREEN ORIENTATION

Depending on the placement of your projector, you can adjust the rotation and orientation of the screen display accordingly.

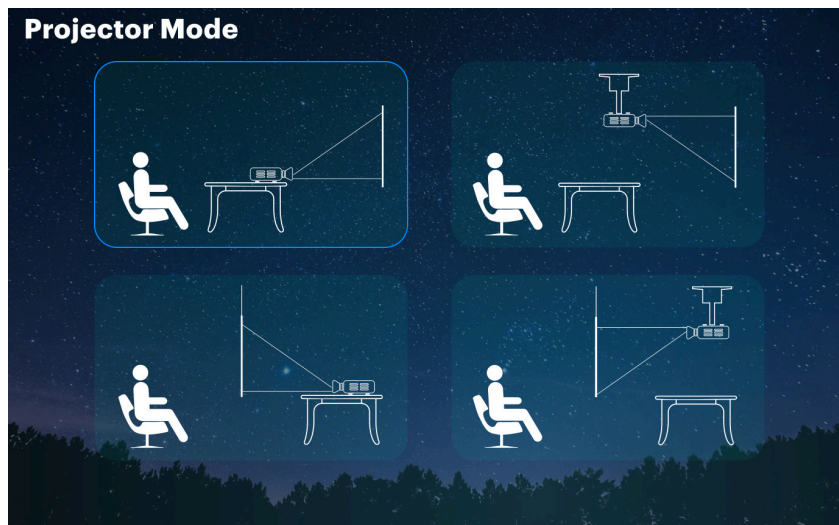
1. From the home screen, select Settings.



2. From the Settings menu, select Projector Mode.



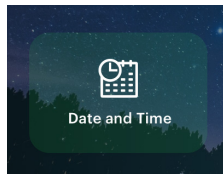
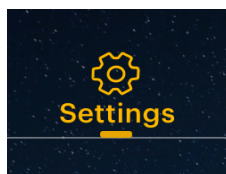
3. Select the image that most closely resembles the positioning of your projector and it will adjust the display accordingly.



20. SETTING DATE AND TIME

Your projector should automatically update to the correct date and time once you connect to a wireless network. If you need to manually adjust the date and time, follow these instructions:

1. From the home screen, select Settings
2. Scroll down to select Date and Time
3. Either enable automatic date and time, or adjust the date and time manually.



21. RESETTING THE PROJECTOR

If something goes wrong, you may need to perform a factory reset on your projector. Please note, this will reset all your settings and delete your saved data, such as app login information. Follow these instructions to reset your projector:

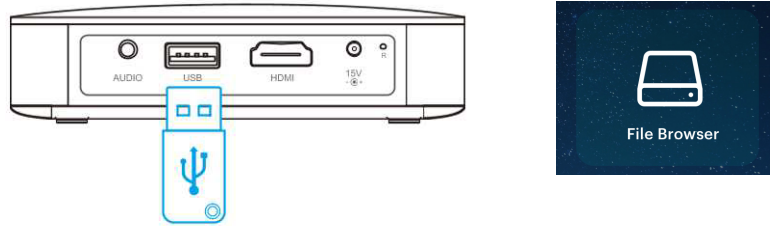
1. From the home screen, select Settings
2. Scroll down to Factory Reset
3. If you want to back up your data, select the first option, and connect an associated account.

4. When you've finished backing up your data (or not), select the bottom option, "Factory Data Reset".

22. CONNECTING EXTERNAL DEVICES

A. USB Drives

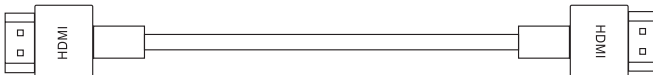
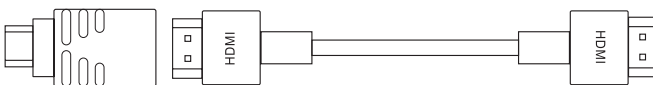
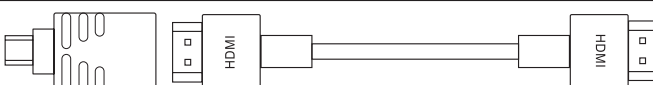

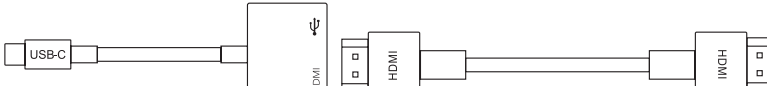

To access photos or videos stored on any USB drive, simply insert the drive into the corresponding port on the side. The projector will read the files directly from the drive. You can access them from the home screen by selecting Source > File Browser.



B. HDMI® Compatible Devices

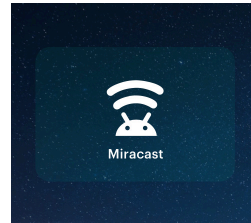
If you're using an HDMI compatible device, such as a laptop, personal computer, smartphone, tablet, or video game console, connect an HDMI cable from the device to your projector to access and view images and pictures. An HDMI-to-HDMI cable is included, but if your device requires an adapter, you will need to purchase it separately. To make things a little easier, we've compiled this table of devices and adapters for your convenience.

Please note, if you connect an HDMI device as well as a USB drive, the HDMI device will take precedence over the USB drive and you will need to disconnect it or press the back button on the remote to access the other connected sources.

1	Devices with HDMI port	 HDMI to HDMI cable (included)
2	Devices with mini HDMI port	 Mini HDMI to HDMI adapter HDMI to HDMI cable (included)
3	Devices with micro HDMI port	 Mini HDMI to HDMI adapter HDMI to HDMI cable
4	iOS devices with lightning port	 Lightning digital AV adapter HDMI to HDMI cable
5	Devices with USB-C (USB type C) port	 USB-C to HDMI adapter HDMI to HDMI cable
6	Devices with USB-C (USB type C) port	 USB type C to HDMI cable

23. SCREEN MIRRORING (ANDROID/WINDOWS - MIRACAST®)

1. From the projector home screen, select “Source,” select “Screen Mirroring,” and then select “Miracast®”. The name of the projector will be displayed on the screen so that you can accurately identify it when attempting to connect.



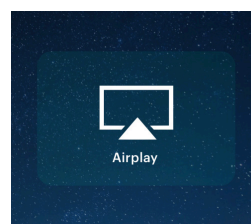
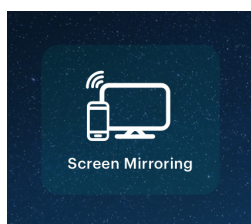
2. Make sure your device is connected to the same network as your projector.
3. Activate the screen mirroring software on your device.
 - a. To activate screen mirroring on your Android™ device:
 - i. On Samsung devices, swipe down from the top notification bar to the expanded view, and then swipe left (if necessary) and touch the “SmartView” icon to activate screen sharing.

NOTE: Check your device settings for the screen casting/screen mirroring options. The name of the function may vary by device model and service carrier. Other names used may include, “Cast,” or “Screen Mirroring,” as well as “Smart View”. All devices must be running at least Android version 4.1.2.

- b. To activate screen mirroring on your Windows® 10 device:
 - i. From the start menu, select “Settings.”
 - ii. In the Settings menu, select “Devices.”
 - iii. On the left side of the Devices menu, select “Connected Devices,” and then click “Add a Device.”
4. Select the projector from the list of devices and select “Connect.” A dialog box will pop up on the projector screen for you to confirm the connection; use the arrows or the remote to highlight “Accept” and press the confirm button.
 5. Your screen will now be mirrored to the projector.
 6. When finished, select Disconnect on your device.

24. SCREEN MIRRORING (IOS)

1. From the projector home screen, select “Source,” select “Screen Mirroring,” and then select “AirPlay”. The name of the projector will be displayed on the screen so that you can accurately identify it when attempting to connect.



2. Make sure your device is connected to the same network as your projector.

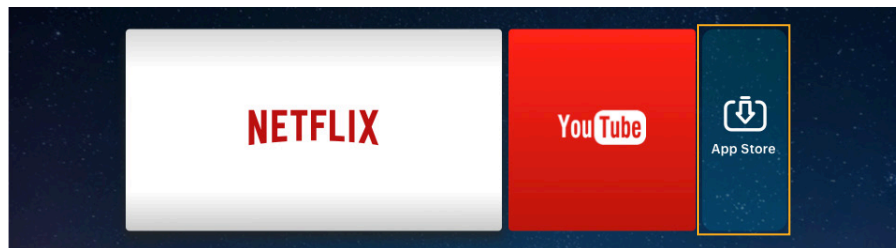
3. Activate the screen mirroring software on your device.
 - a. To activate screen mirroring on your iOS device:
 - i. Swipe down to reveal the Control Center and tap the “Screen Mirroring” button.
4. Select the projector from the list of devices and select “Connect.” A dialog box will pop up on the projector screen for you to confirm the connection; use the arrows or the remote to highlight “Accept” and press the confirm button.
5. Your screen will now be mirrored to the projector.
6. When finished, select Disconnect on your device.

25. PRE-LOADED APPS

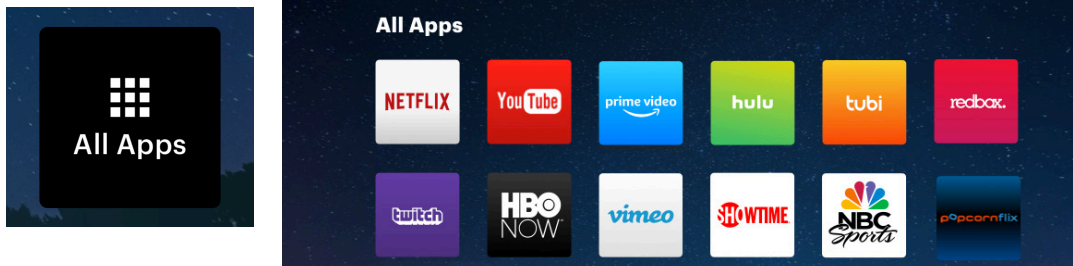
Your KODAK LUMA 350 Portable Smart Projector comes with a variety of entertainment apps pre-loaded for your convenience and enjoyment. You can access these apps from the home screen, and simply need to sign in to your associated account to use them.

26. USING THE APP STORE

1. From the home screen, choose App Store.



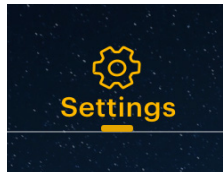
2. Use the arrows or the cursor to navigate through the available apps or search for the ones you want to download.
3. Once your apps are downloaded, you may access them directly from the home screen, or by selecting the All Apps option on the home screen.



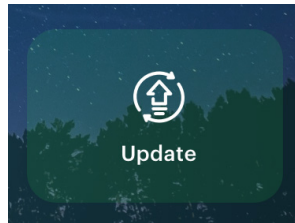
NOTE: Some of your favorite apps may look different when installed, due to the fact that the LUMA 350 utilizes the TV versions of these applications to accommodate the screen size and navigation.

27. UPDATING YOUR SOFTWARE

1. From the home screen, select Settings.



2. From the Settings menu, select Update.



3. The system will then check for a software update and download it if necessary.

NOTE: You need to be connected to a wireless network to download a software update.

4. When the software update finishes, your projector will restart. You shouldn't lose any data in the process.

28. CUSTOMER SERVICE

Should you experience any problems with your product, please contact us before returning the item to the place of purchase. We're here to help!

U.S. Support: kodak@camarketing.com
844-516-1539

International Support: kodakintl@camarketing.com
844-516-1540

29. WARRANTY

LIMITED WARRANTY TO ORIGINAL CONSUMER

This KODAK LUMA 350 Projector ("Product"), including any accessories included in the original packaging, as supplied and distributed new by an authorized retailer is warranted by C&A Marketing, Inc. (the "Company") to the original consumer purchaser only, against certain defects in material and workmanship ("Warranty") as follows:

To receive Warranty service, the original consumer purchaser must contact the Company or its authorized service provider for problem determination and service procedures. Proof of purchase in the form of a bill of sale or receipted invoice, evidencing that the Product is within the applicable

Warranty period(s), MUST be presented to the Company or its authorized service provider in order to obtain the requested service.

Service options, parts availability, and response times may vary and may change at any time. In accordance with applicable law, the Company may require that you furnish additional documents and/or comply with registration requirements before receiving warranty service. Please contact our customer service for details on obtaining warranty service:

USA: kodak@camarketing.com, 844-516-1539

International: kodakintl@camarketing.com, +1-844-516-1540

Shipping expenses to the Company's Return Facility are not covered by this warranty, and must be paid by the consumer. The consumer likewise bears all risk of loss or further damage to the Product until delivery to said facility.

EXCLUSIONS AND LIMITATIONS The Company warrants the Product against defects in materials and workmanship under normal use for a period of ONE (1) YEAR from the date of retail purchase by the original end-user purchaser ("Warranty Period"). If a hardware defect arises and a valid claim is received within the Warranty Period, the Company, at its sole option and to the extent permitted by law, will either (1) repair the Product defect at no charge, using new or refurbished replacement parts, (2) exchange the Product with a Product that is new or which has been manufactured from new or serviceable used parts and is at least functionally equivalent to the original device, or (3) refund the purchase price of the Product.

A replacement Product or part thereof shall enjoy the warranty of the original Product for the remainder of the Warranty Period, or ninety (90) days from the date of replacement or repair, whichever provides you longer protection. When a Product or part is exchanged, any replacement item becomes your property, while the replaced item becomes the Company's property. Refunds can only be given if the original Product is returned.

This Warranty does not apply to:

- (a) Any non-KODAK LUMA 350 Projector product, hardware or software, even if packaged or sold with the Product;
- (b) Damage caused by use with non-KODAK LUMA 350 Projector products;
- (c) Damage caused by accident, abuse, misuse, flood, fire, earthquake, or other external causes;
- (d) Damage caused by operating the Product outside the permitted or intended uses described by the Company;
- (e) Damage caused by third party services;
- (f) A Product or part that has been modified to alter functionality or capability without the written permission of the Company;
- (g) Consumable parts, such as batteries, fuses and bulbs;
- (h) Cosmetic damage; or
- (i) If any KODAK LUMA 350 Projector serial number has been removed or defaced.

This Warranty is valid only in the country where the consumer purchased the Product, and only applies to Products purchased and serviced in that country.

The Company does not warrant that the operation of the Product will be uninterrupted or error-free. The Company is not responsible for damage arising from your failure to follow instructions relating to its use.

NOTWITHSTANDING ANYTHING TO THE CONTRARY AND TO THE MAXIMUM EXTENT PERMITTED BY APPLICABLE LAW, THE COMPANY PROVIDES THE PRODUCT "AS-IS" AND "AS-AVAILABLE" FOR YOUR CONVENIENCE AND THE COMPANY AND ITS LICENSORS AND SUPPLIERS EXPRESSLY DISCLAIM ALL WARRANTIES AND CONDITIONS, WHETHER EXPRESSED, IMPLIED, OR STATUTORY, INCLUDING THE WARRANTIES OF MERCHANTABILITY, FITNESS FOR A PARTICULAR PURPOSE, TITLE, QUIET ENJOYMENT, ACCURACY, AND NON-INFRINGEMENT OF THIRD-PARTY RIGHTS. THE COMPANY DOES NOT GUARANTEE ANY SPECIFIC RESULTS FROM THE USE OF THE PRODUCT, OR THAT THE COMPANY WILL CONTINUE TO OFFER OR MAKE AVAILABLE THE PRODUCT FOR ANY PARTICULAR LENGTH OF TIME. THE COMPANY FURTHER DISCLAIMS ALL WARRANTIES AFTER THE EXPRESS WARRANTY PERIOD STATED ABOVE.

YOU USE THE PRODUCT AT YOUR OWN DISCRETION AND RISK. YOU WILL BE SOLELY RESPONSIBLE FOR (AND THE COMPANY DISCLAIMS) ANY AND ALL LOSS, LIABILITY, OR DAMAGES RESULTING FROM YOUR USE OF THE PRODUCT.

NO ADVICE OR INFORMATION, WHETHER ORAL OR WRITTEN, OBTAINED BY YOU FROM THE COMPANY OR THROUGH ITS AUTHORIZED SERVICE PROVIDERS SHALL CREATE ANY WARRANTY.

IN NO EVENT WILL THE COMPANY'S TOTAL CUMULATIVE LIABILITY ARISING FROM OR RELATED TO THE PRODUCT, WHETHER IN CONTRACT OR TORT OR OTHERWISE EXCEED THE FEES ACTUALLY PAID BY YOU TO THE COMPANY OR ANY OF ITS AUTHORIZED RESELLERS FOR THE PRODUCT AT ISSUE IN THE LAST YEAR FROM YOUR PURCHASE. THIS LIMITATION IS CUMULATIVE AND WILL NOT BE INCREASED BY THE EXISTENCE OF MORE THAN ONE INCIDENT OR CLAIM. THE COMPANY DISCLAIMS ALL LIABILITY OF ANY KIND OF ITS LICENSORS AND SUPPLIERS. IN NO EVENT WILL THE COMPANY OR ITS LICENSORS, MANUFACTURERS AND SUPPLIERS BE LIABLE FOR ANY INCIDENTAL, DIRECT, INDIRECT, SPECIAL, PUNITIVE OR CONSEQUENTIAL DAMAGES (SUCH AS, BUT NOT LIMITED TO, DAMAGES FOR LOSS OF PROFITS, BUSINESS, SAVINGS, DATA OR RECORDS) CAUSED BY THE USE, MISUSE OR INABILITY TO USE THE PRODUCT.

Nothing in these terms shall attempt to exclude liability that cannot be excluded under applicable law. Some countries, states or provinces do not allow the exclusion or limitation of incidental or consequential damages or allow limitations on warranties, so certain limitations or exclusions may not apply to you. This warranty gives you specific legal rights, and you may have other rights that vary from state to state or province to province. Contact your authorized retailer to determine if another warranty applies.

Kodak does NOT manufacture this Product or provide any Warranty or support.

www.kodakphotoplus.com

The Kodak trademark, logo, and trade dress are used under license from Eastman Kodak Company.

Android and Google Play are trademarks of Google, LLC.

iOS is a trademark of Cisco in the U.S. and other countries and is used under license.

Airplay, Mac, and App Store are trademarks of Apple Inc. in the U.S. and other countries.

Wi-Fi and Miracast are trademarks of Wi-Fi Alliance in the U.S. and/or other countries.

Windows is a trademark of Microsoft Corporation in the U.S. and/or other countries.

All other products, brand names, company names, and logos are trademarks of their respective owners, used merely to identify their respective products, and are not meant to connote any sponsorship, endorsement or approval.

Distributed by: C&A Marketing, Inc., 114 Tived Lane East, Edison, NJ 08837, USA

C&A Marketing UK LTD, 167 Hermitage Road, Crusader Industrial Estate, London N4 1LZ, UK

©2019. All Rights Reserved. Made in China

