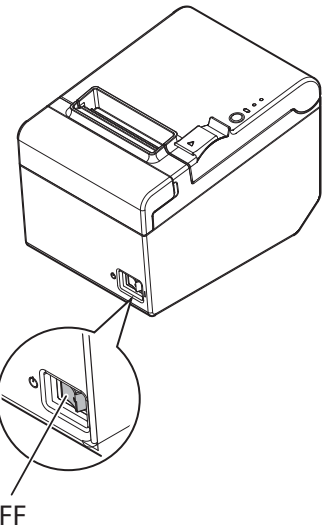


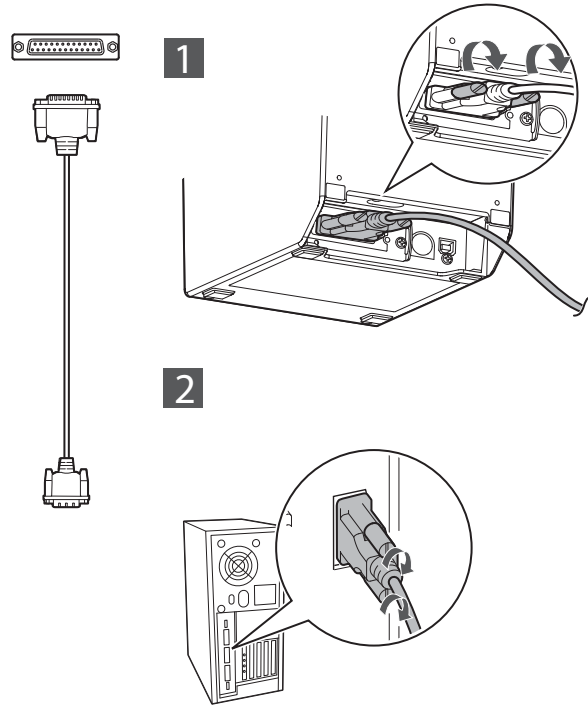


1

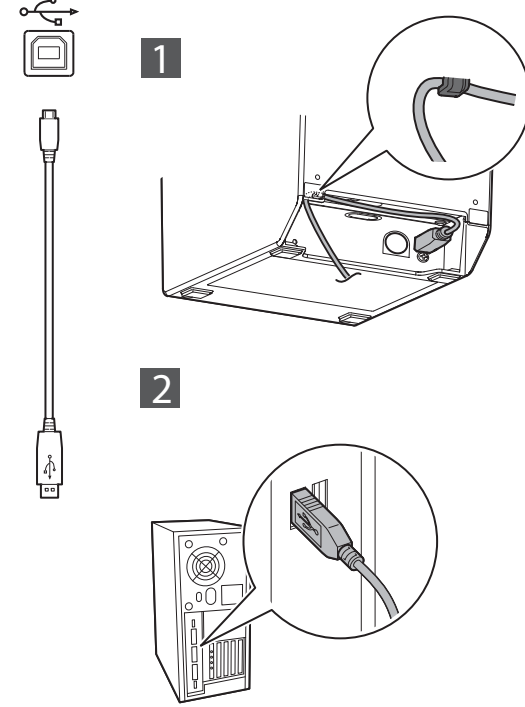


2

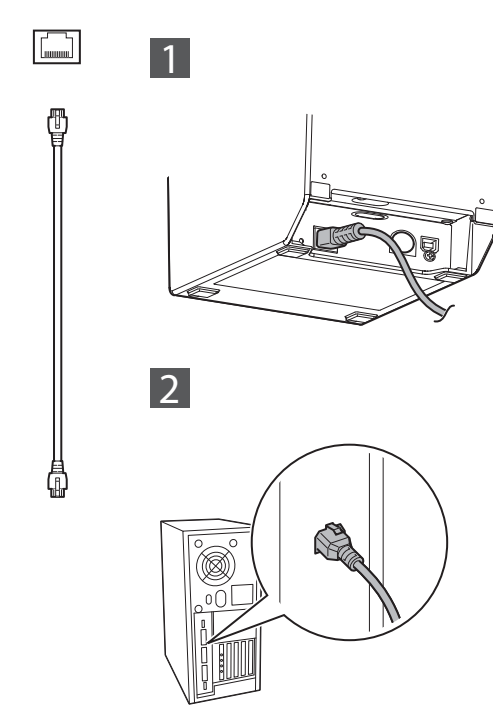
RS-232



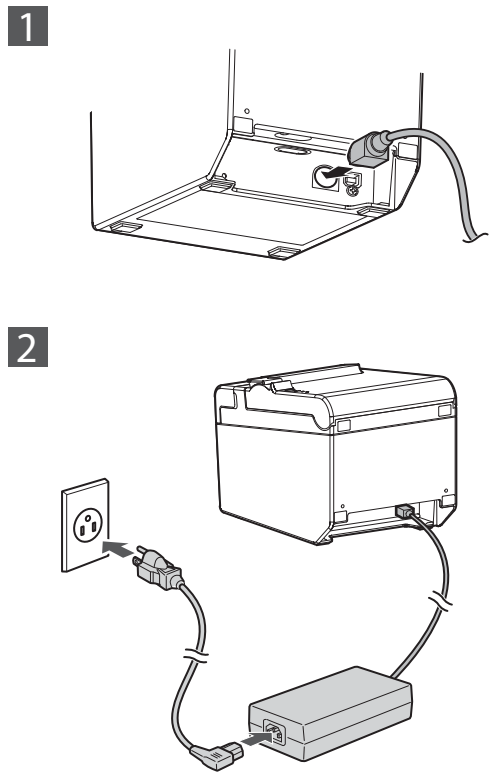
USB



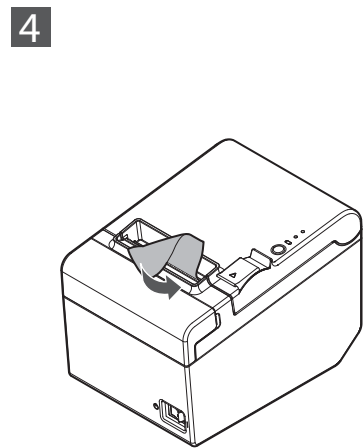
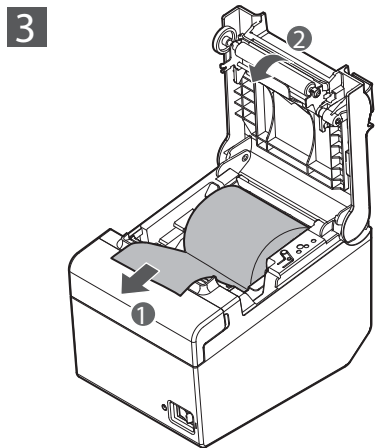
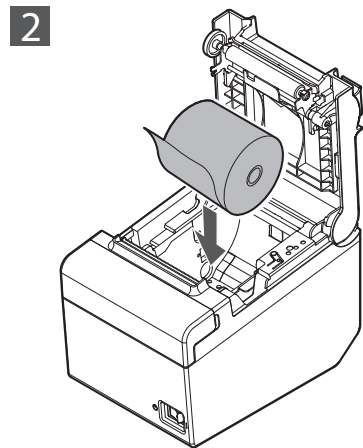
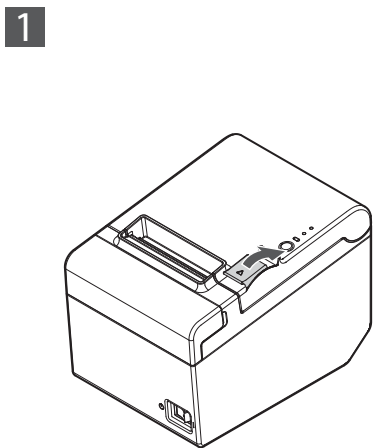
10/100BASE-TX



3



4



5

