

QNF-8010

6MP H.265 Network Fisheye Camera

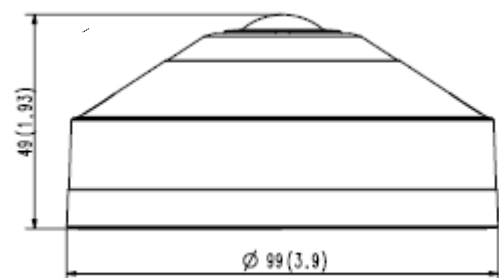
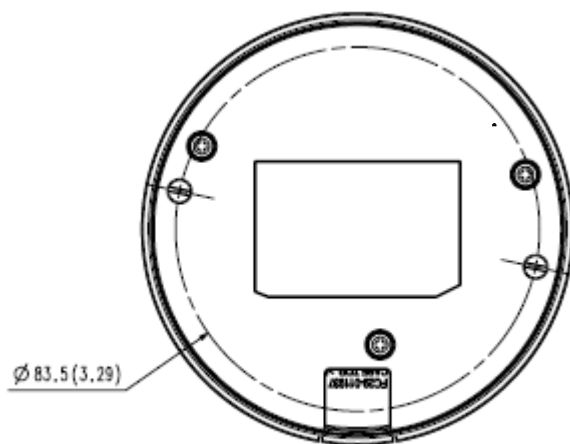


Key Features

- 2048 x 2048 resolution captured by 6MP CMOS image sensor
- H.265, H.264, MJPEG codec
- Original fisheye view, Single panorama, Double panorama, Quad view
- WDR 120dB, WiseStreamII
- People counting, Heatmap
- Micro SD/SDHC/SDXC 1 slot 256 GB, PoE

Dimensions

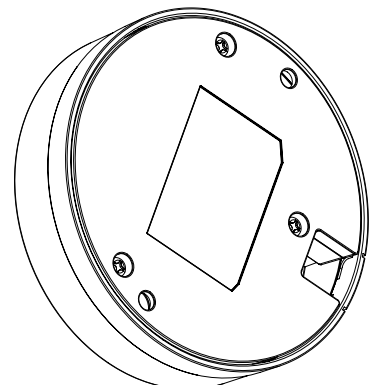
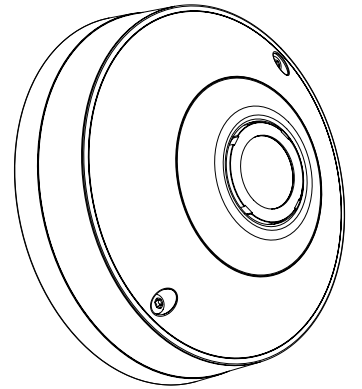
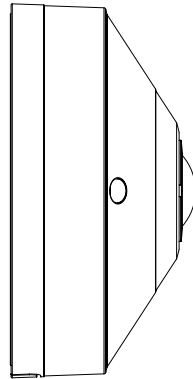
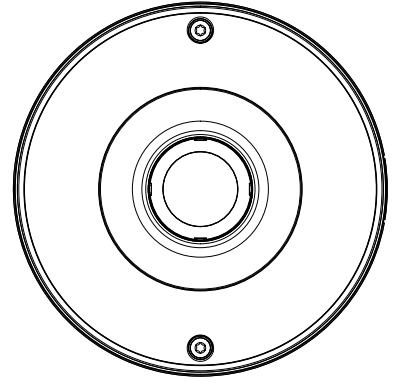
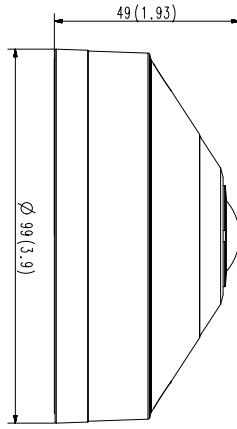
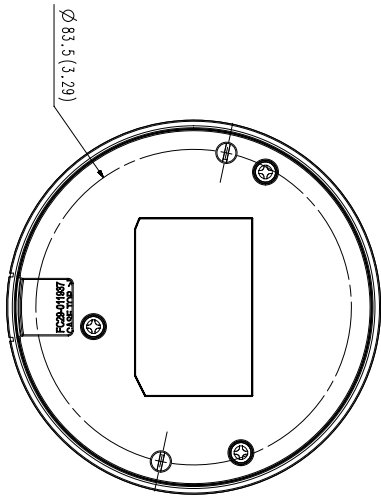
Unit : mm (inch)



Video	
Imaging Device	1/1.8" 6MP CMOS Sensor
Effective Pixels	2048(H) x 2048(V)
Minimum Illumination	Color: 0.2 Lux (F2.5, 1/30sec)
Video Out	CVBS : 1.0 Vp-p / 75Ω composite, 720x480, for Installation
Lens	
Focal Length (Zoom Ratio)	1.14mm fixed focal
Maximum Aperture Ratio	F2.5
Angular Field of View	H: 187° / V: 187° / D: 187°
Minimum Object Distance	0.3m
Operational	
Camera Title	Displayed up to 85 characters
Day & Night	Auto (Electrical)
Backlight Compensation	BLC, HLC, WDR, SDR
Wide Dynamic Range	120dB
Digital Noise Reduction	SSNR V
Motion Detection	8ea, polygonal zones
Privacy Masking	6ea, rectangle zones - Color: Grey/Green/Red/Blue/Black/White - Mosaic
Gain Control	Low / Middle / High
White Balance	ATW / AWC / Manual / Indoor / Outdoor
Electronic Shutter Speed	Minimum / Maximum / Anti flicker (2~1/12,000sec)
Video Rotation	Flip, Mirror
Analytics	Defocus detection, Motion detection, Tampering
Business Intelligence	People counting, Heatmap
Alarm Triggers	Analytics, Network disconnect
Alarm Events	File upload via FTP and e-mail Notification via e-mail SD/SDHC/SDXC or NAS recording at event triggers
Network	
Ethernet	RJ-45(10/100BASE-T)
Video Compression	H.265/H.264: Main/Baseline/High, MJPEG
Resolution	Original view: 2048x2048, 1280x1280, 1080x1080, 960x960, 768x768, 720x720, 640x640, 480x480 Single panorama: 2048x512, 1920x480, 1280x320, 640x160, 704x176 Double panorama: 2048x1024, 1920x960, 1280x640, 640x320, 704x352 Quad view: 2048x1536, 1600x1200, 1280x960, 1024x768, 800x600, 640x480, 704x576 Q1/2/3/4: 1024x768, 800x600, 640x480
Maximum Framerate	H.264/H.265 : 30fps@2048x2048 MJPEG : 15fps
Smart Codec	WiseStream II
Bitrate Control	H.264/H.265: CBR or VBR MJPEG: VBR

Streaming	Unicast(6 users) / Multicast Multiple streaming(Up to 3 profiles)
Protocol	IPv4, IPv6, TCP/IP, UDP/IP, RTP(UDP), RTP(TCP), RTCP, RTSP, NTP, HTTP, HTTPS, SSL/TLS, DHCP, FTP, SMTP, ICMP, IGMP, SNMPv1/v2c/v3(MIB-2), ARP, DNS, DDNS, QoS, PIM-SM, UPnP, Bonjour
Security	HTTPS(SSL) Login Authentication Digest Login Authentication IP Address Filtering User access log 802.1X Authentication(EAP-TLS, EAP-LEAP)
Edge Storage	Micro SD/SDHC/SDXC 1 slot 256GB
Application Programming Interface	ONVIF Profile S/G/T SUNAPI(HTTP API) Wisenet open platform
Web Viewer	Supported OS: Windows 7, 8.1, 10, Mac OS X 10.12, 10.13, 10.14 Recommended Browser: Google Chrome Supported Browser : MS Explorer 11, MS Edge, Mozilla Firefox (Windows 64-bit only), Apple Safari (Mac OS X only)
Memory	1024MB RAM, 256MB Flash
Environmental	
Operating Temperature / Humidity	-10°C ~ +55°C(+14°F ~ +131°F) / Less than 90% RH
Storage Temperature / Humidity	-50°C ~ +60°C(-58°F ~ +140°F) / Less than 90% RH
Certification	IP42
Electrical	
Input Voltage	PoE(IEEE802.3af, Class3)
Power Consumption	PoE: Maximum 6.4W, typical 4.6W
Mechanical	
Color / Material	White / Plastic
RAL Code	RAL9003
Product dimensions / weight	Ø99x49mm(Ø3.9x1.93"), 320g(0.705 lb)
DORI	
Detect	25m(82.02ft)
Observe	10m(32.81ft)
Recognize	5m(16.40ft)
Identify	2.5m(8.2ft)

- The latest product information / specification can be found at hanwhasecurity.com
- Design and specifications are subject to change without notice.
- Wisenet is the proprietary brand of Hanwha Techwin, formerly known as Samsung Techwin.



3		
2		
1	QNF-8010	'19.09.02
No.	MODEL NAME	DATE
Unit : mm (inch)	SCALE : 1/1	