



Bosch
KIV38X22GB
Built-in automatic fridge-freezer

Predecessor:
KIV38V20GB

Successor:

EAN code:
4242002763200
sales programme:

Built-in fridge-freezer KIV38X22GB

Performance and Consumption

- Energy efficiency class: A+
- Annual energy consumption 276 kWh (per year).
- Total net capacity: 277 litres
- Net fridge capacity: 217 litres
- Net freezer capacity: 60 litres
- Noise level dB(A) re 1 pW: 40

Design features

- Sliding hinge
- Right hinged door, door reversible
- LED electronic control
- Removable magnetic door seals - easy to clean

Food freshness system

- 1 compressor

Key features - Fridge section

- Automatic defrost fridge
- 5 safety glass shelves in fridge compartment of which 4 are height adjustable
- 1 vegetable/salad container with rippled base for improved air circulation

Key features - Freezer section

- Manual defrost freezer
- 3 freezer drawers
- 4 star freezer rating
- Calendar frozen food
- Freezing capacity in 24 hours: 6 kg
- Maximum freezer storage time in power failure: 13 hours

Dimension and installation

- Climate class SN-ST (suitable for ambient temperatures between 10 to 38°C)
- Connection value 90 W
- Dimensions: 177.2 cm H x 54.1 cm W x 54.5 cm D
- Niche Dimensions: 177.5 cm H x 56.2 cm W x 55 cm D

Included accessories

1 x butter dish

Optional accessories

Alternative colors available

Technical Data

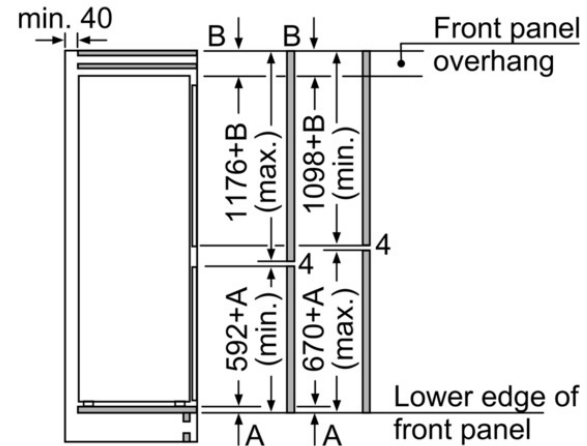
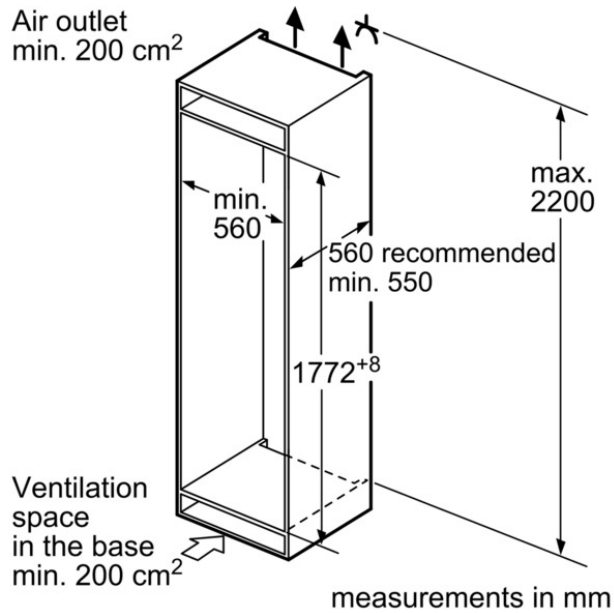
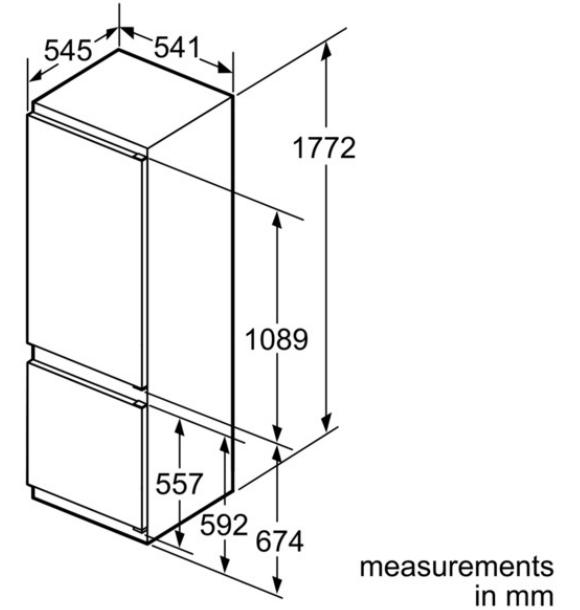
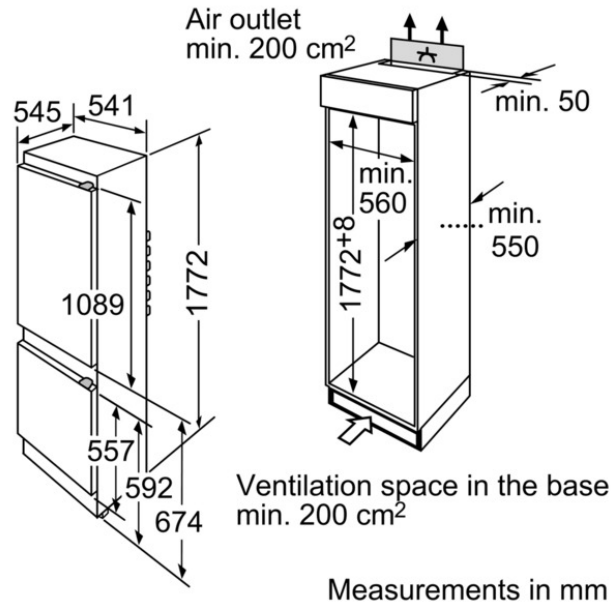
Characteristics

Built-in / Free-standing : Built-in
Door panel options : Not possible
Height (mm) : 1772
Width of the product (mm) : 541
Depth of the product : 545
Required niche size for installation (HxWxD) : 1775.0 x 562.0 x 550
Net weight (kg) : 57.000
Connection Rating (W) : 90
Current (A) : 13
Door hinge : Right reversible
Voltage (V) : 220-240
Frequency (Hz) : 50
Approval certificates : VDE
Length electrical supply cord (m) : 230.00
Storage Period in Event of Power Failure (h) : 13
Number of compressors : 1
Number of independent cooling systems : 1
Interior ventilator : No
Reversible Door Hinge : Yes
Number of Adjustable Shelves in fridge compartment (Stick) : 4
Shelves for Bottles : No

Consumption and connection features

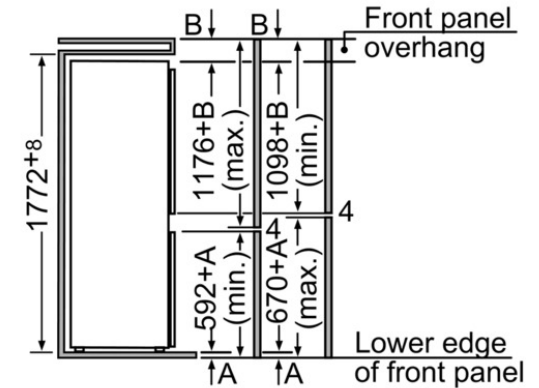
Brand : Bosch
Product name / Commercial code : KIV38X22GB
Energy efficiency class - NEW (2010/30/EC) : A+
Energy consumption annual (kWh/annum) - NEW (2010/30/EC) : 276
Refrigerator Net capacity (l) - NEW (2010/30/EC) : 217
Freezer Net capacity (l) - NEW (2010/30/EC) : 60
Frost free system : No
Temperature rise time (h) : 13
Freezing capacity (kg/24h) - NEW (2010/30/EC) : 6
Climate class : SN-ST
Noise level (dB(A) re 1 pW) : 40
Installation typology : Full-integrated

**Built-in fridge-freezer
KIV38X22GB**



The specified unit door dimensions are valid for a door gap of 4 mm.

measurements in mm



The specified unit door dimensions are valid for a door gap of 4 mm. If a different gap width is used (max. 14 mm), the dimensions must be adjusted.

Measurements in mm