



# LaserJet Pro M426, M427

## User Guide



M426dw  
M426fdn  
M426fdw  
M427dw  
M427fdn  
M427fdw



[www.hp.com/support/ljM426MFP](http://www.hp.com/support/ljM426MFP)  
[www.hp.com/support/ljM427MFP](http://www.hp.com/support/ljM427MFP)





# HP LaserJet Pro MFP M426, M427

User Guide

**Copyright and License**

© Copyright 2016 HP Development Company, L.P.

Reproduction, adaptation, or translation without prior written permission is prohibited, except as allowed under the copyright laws.

The information contained herein is subject to change without notice.

The only warranties for HP products and services are set forth in the express warranty statements accompanying such products and services. Nothing herein should be construed as constituting an additional warranty. HP shall not be liable for technical or editorial errors or omissions contained herein.

Edition 2, 3/2016

**Trademark Credits**

Adobe®, Adobe Photoshop®, Acrobat®, and PostScript® are trademarks of Adobe Systems Incorporated.

Apple and the Apple logo are trademarks of Apple Computer, Inc., registered in the U.S. and other countries. iPod is a trademark of Apple Computer, Inc. iPod is for legal or rightholder-authorized copying only. Don't steal music.

Microsoft®, Windows®, Windows® XP, and Windows Vista® are U.S. registered trademarks of Microsoft Corporation.

UNIX® is a registered trademark of The Open Group.

---

# Table of contents

<b>1 Printer overview .....</b>	<b>1</b>
Printer views .....	2
Printer front view .....	2
Printer back view .....	3
Control panel view .....	4
Home screen layout .....	5
How to use the touchscreen control panel .....	6
Printer specifications .....	7
Technical specifications .....	7
Supported operating systems .....	8
Mobile printing solutions .....	10
Printer dimensions .....	11
Power consumption, electrical specifications, and acoustic emissions .....	12
Operating environmental range .....	13
Printer hardware setup and software installation .....	14
<b>2 Paper trays .....</b>	<b>15</b>
Load Tray 1 .....	16
Introduction .....	16
Tray 1 paper orientation .....	19
Load Tray 2 .....	20
Introduction .....	20
Tray 2 paper orientation .....	22
Load Tray 3 .....	23
Introduction .....	23
Tray 3 paper orientation .....	25
Load and print envelopes .....	26
Introduction .....	26
Print envelopes .....	26
Envelope orientation .....	26

<b>3 Supplies, accessories, and parts .....</b>	<b>27</b>
Order supplies, accessories, and parts .....	28
Ordering .....	28
Supplies and accessories .....	28
Customer self-repair parts .....	28
Replace the toner cartridge .....	30
Introduction .....	30
Toner-cartridge information .....	30
Remove and replace the toner cartridge .....	31
<b>4 Print .....</b>	<b>35</b>
Print tasks (Windows) .....	36
How to print (Windows) .....	36
Automatically print on both sides (Windows) .....	37
Manually print on both sides (Windows) .....	38
Print multiple pages per sheet (Windows) .....	38
Select the paper type (Windows) .....	38
Additional print tasks .....	40
Print tasks (OS X) .....	41
How to print (OS X) .....	41
Automatically print on both sides (OS X) .....	41
Manually print on both sides (OS X) .....	41
Print multiple pages per sheet (OS X) .....	42
Select the paper type (OS X) .....	42
Additional print tasks .....	43
Store print jobs on the product to print later or print privately .....	44
Introduction .....	44
Before you begin .....	44
Set up the printer for job storage .....	44
Step one: Install the USB flash drive .....	44
Step two: Update the print driver .....	45
Create a stored job (Windows) .....	46
Print a stored job .....	47
Delete a stored job .....	48
Mobile printing .....	49
Introduction .....	49
Wi-Fi Direct and NFC Printing (wireless models only) .....	49
HP ePrint via email .....	50
HP ePrint software .....	51
AirPrint .....	51
Android embedded printing .....	52

Use walk-up USB printing .....	53
Introduction .....	53
Step one: Access USB files on the printer .....	53
Step two: Print USB documents .....	53
Option one: Print documents .....	53
Option two: Print photos .....	54
<b>5 Copy .....</b>	<b>55</b>
Make a copy .....	56
Copy on both sides (duplex) .....	57
Copy on both sides automatically (m, fdn, and fdw models only) .....	57
Copy on both sides manually .....	57
Additional copy tasks .....	58
<b>6 Scan .....</b>	<b>59</b>
Scan by using the HP Scan software (Windows) .....	60
Scan by using the HP Scan software (OS X) .....	61
Scan to a USB flash drive .....	62
Set up the Scan to Network Folder feature .....	63
Introduction .....	63
Before you begin .....	63
Method one: Use the Scan to Network Folder Wizard (Windows) .....	63
Method two: Set up the Scan to Network Folder feature via the HP Embedded Web Server (Windows) .....	65
Step one: Access the HP Embedded Web Server (EWS) .....	65
Step two: Configure the Scan to Network Folder feature .....	65
Set up the Scan to Network Folder feature on a Mac .....	66
Step one: Access the HP Embedded Web Server (EWS) .....	66
Method one: Use a Web browser to open the HP Embedded Web Server (EWS) .....	66
Method two: Use the HP Utility to open the HP Embedded Web Server (EWS) .....	67
Step two: Configure the Scan to Network Folder feature .....	67
Scan to a network folder .....	69
Set up the Scan to E-mail feature .....	70
Introduction .....	70
Before you begin .....	70
Method one: Use the Scan to Email Wizard (Windows) .....	70
Method two: Set up the Scan to Email feature via the HP Embedded Web Server (Windows) .....	71
Step one: Access the HP Embedded Web Server (EWS) .....	72
Step two: Configure the Scan to E-mail feature .....	72

Step three: Add contacts to the E-mail Address Book .....	74
Step four: Configure the default E-mail Options .....	74
Set up the Scan to E-mail feature on a Mac .....	75
Step one: Access the HP Embedded Web Server (EWS) .....	75
Method one: Use a Web browser to open the HP Embedded Web Server (EWS) .....	75
Method two: Use the HP Utility to open the HP Embedded Web Server (EWS) .....	75
Step two: Configure the Scan to E-mail feature .....	75
Step three: Add contacts to the E-mail Address Book .....	77
Step four: Configure the default E-mail Options .....	77
Scan to email .....	79
Additional scan tasks .....	80

## **7 Fax ..... 81**

Set up to send and receive faxes .....	82
Before starting .....	82
Step 1: Identify the phone connection type .....	82
Step 2: Set up the fax .....	83
Dedicated phone line .....	83
Shared voice/fax line .....	84
Shared voice/fax line with an answering machine .....	85
Step 3: Configure the fax time, date, and header .....	86
HP Fax Setup Wizard .....	87
Printer control panel .....	87
HP Embedded Web Server (EWS) and HP Device Toolbox (Windows) .....	87
Step 4: Run a fax test .....	88
Send a fax .....	89
Fax from the flatbed scanner .....	89
Fax from the document feeder .....	90
Use speed dials and group-dial entries .....	90
Send a fax from the software .....	91
Send a fax from a third-party software program, such as Microsoft Word .....	91
Additional fax tasks .....	92

## **8 Manage the printer ..... 93**

Use HP Web Services applications .....	94
Change the printer connection type (Windows) .....	95
Advanced configuration with HP Embedded Web Server (EWS) and HP Device Toolbox (Windows) .....	96
Advanced configuration with HP Utility for OS X .....	99
Open HP Utility .....	99



HP Utility features .....	99
Configure IP network settings .....	102
Introduction .....	102
Printer sharing disclaimer .....	102
View or change network settings .....	102
Rename the printer on a network .....	102
Manually configure IPv4 TCP/IP parameters from the control panel .....	103
Link speed and duplex settings .....	103
Printer security features .....	105
Introduction .....	105
Assign or change the system password using the Embedded Web Server .....	105
Lock the formatter .....	105
Energy-conservation settings .....	106
Introduction .....	106
Print with EconoMode .....	106
Set the Sleep/Auto Off After setting .....	106
Set the Shut Down After delay and configure the printer to use 1 watt or less of power .....	107
Set the Delay Shut Down setting .....	107
HP Web Jetadmin .....	108
Update the firmware .....	109
Method one: Update the firmware using the control panel .....	109
Method two: Update the firmware using the Firmware Update Utility .....	109
<b>9 Solve problems .....</b>	<b>111</b>
Customer support .....	112
Control panel help system .....	113
Restore the factory-set defaults .....	114
A “Cartridge is low” or “Cartridge is very low” message displays on the printer control panel .....	115
Change the “Very Low” settings .....	115
For printers with fax capability .....	115
Order supplies .....	116
Printer does not pick up paper or misfeeds .....	117
Introduction .....	117
The printer does not pick up paper .....	117
The printer picks up multiple sheets of paper .....	119
The document feeder jams, skews, or picks up multiple sheets of paper .....	122
Clean the pickup rollers and separation pad in the document feeder .....	123
Clear paper jams .....	125
Introduction .....	125
Experiencing frequent or recurring paper jams? .....	125
Jam locations .....	126

Clear paper jams in the document feeder .....	128
Clear paper jams in Tray 1 .....	131
Clear paper jams in Tray 2 .....	132
Clear paper jams in Tray 3 .....	136
Clear paper jams in the fuser .....	140
Clear paper jams in the output bin .....	143
Clear paper jams in the duplexer .....	146
Improve print quality .....	148
Introduction .....	148
Print from a different software program .....	148
Check the paper-type setting for the print job .....	148
Check the paper type setting (Windows) .....	148
Check the paper type setting (OS X) .....	148
Check toner-cartridge status .....	149
Clean the printer .....	150
Print a cleaning page .....	150
Check the scanner glass for dirt and smudges .....	150
Visually inspect the toner cartridge .....	150
Check paper and the printing environment .....	151
Step one: Use paper that meets HP specifications .....	151
Step two: Check the environment .....	151
Step three: Set the individual tray alignment .....	151
Check the EconoMode settings .....	152
Try a different print driver .....	152
Improve copy and scan image quality .....	154
Introduction .....	154
Check the scanner glass for dirt and smudges .....	154
Check the paper settings .....	154
Check the image adjustment settings .....	155
Optimize for text or pictures .....	155
Edge-to-edge copying .....	155
Clean the pickup rollers and separation pad in the document feeder .....	156
Improve fax image quality .....	157
Introduction .....	157
Check the scanner glass for dirt and smudges .....	157
Check the send-fax resolution settings .....	158
Check the error-correction settings .....	158
Check the fit-to-page setting .....	158
Clean the pickup rollers and separation pad in the document feeder .....	158
Send to a different fax machine .....	160
Check the sender's fax machine .....	160

Solve wired network problems .....	161
Introduction .....	161
Poor physical connection .....	161
The computer is using the incorrect IP address for the printer .....	161
The computer is unable to communicate with the printer .....	161
The printer is using incorrect link and duplex settings for the network .....	162
New software programs might be causing compatibility problems .....	162
The computer or workstation might be set up incorrectly .....	162
The printer is disabled, or other network settings are incorrect .....	162
Solve wireless network problems .....	163
Introduction .....	163
Wireless connectivity checklist .....	163
The printer does not print after the wireless configuration completes .....	164
The printer does not print, and the computer has a third-party firewall installed .....	164
The wireless connection does not work after moving the wireless router or printer .....	164
Cannot connect more computers to the wireless printer .....	164
The wireless printer loses communication when connected to a VPN .....	165
The network does not appear in the wireless networks list .....	165
The wireless network is not functioning .....	165
Perform a wireless network diagnostic test .....	165
Reduce interference on a wireless network .....	165
Solve fax problems .....	167
Introduction .....	167
Fax troubleshooting checklist .....	167
Solve general fax problems .....	168
Faxes are sending slowly .....	168
Fax quality is poor .....	169
Fax cuts off or prints on two pages .....	170
<b>Index .....</b>	<b>171</b>



---

# 1 Printer overview

- [Printer views](#)
- [Printer specifications](#)
- [Printer hardware setup and software installation](#)

## For more information:

The following information is correct at the time of publication. For current information, see [www.hp.com/support/ljM426MFP](http://www.hp.com/support/ljM426MFP), [www.hp.com/support/ljM427MFP](http://www.hp.com/support/ljM427MFP).

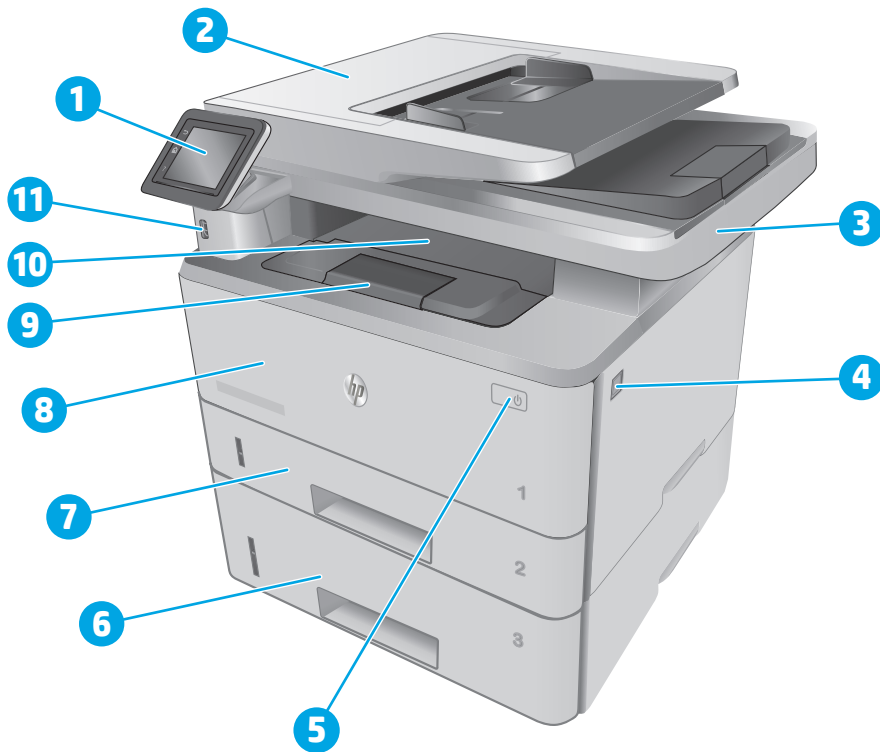
HP's all-inclusive help for the printer includes the following information:

- Install and configure
- Learn and use
- Solve problems
- Download software and firmware updates
- Join support forums
- Find warranty and regulatory information

## Printer views

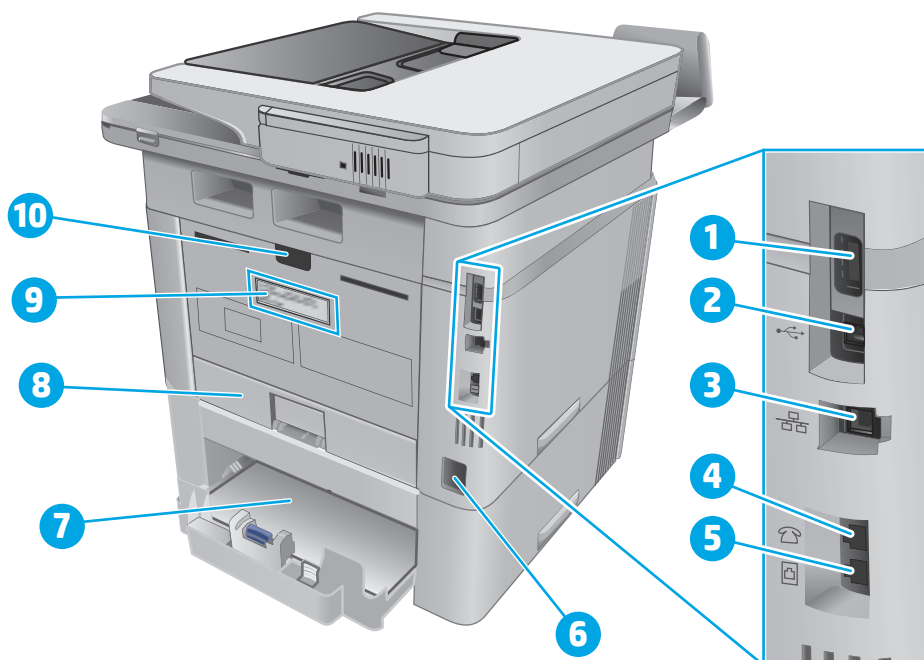
- [Printer front view](#)
- [Printer back view](#)
- [Control panel view](#)

### Printer front view



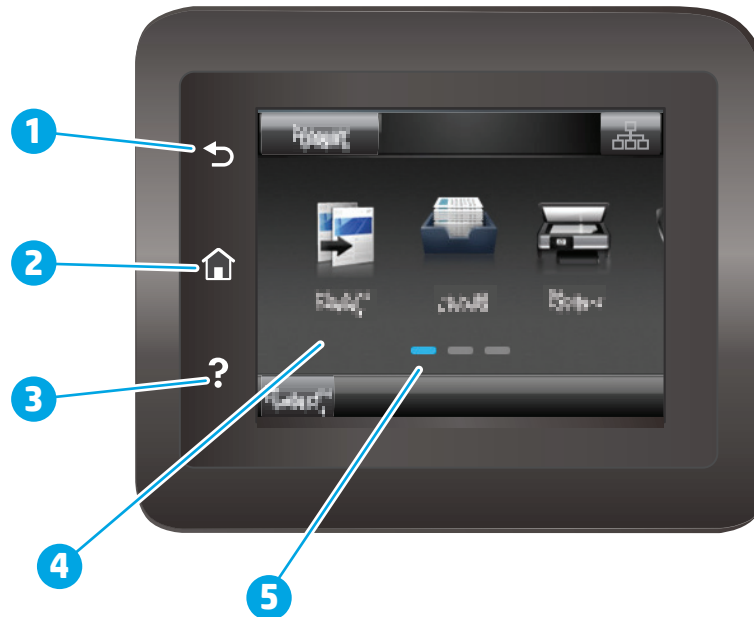
1	Control panel (tilts up for easier viewing)
2	Document feeder
3	Scanner
4	Front-door-release button (access to the toner cartridge)
5	Power on/off button
6	Tray 3 (optional)
7	Tray 2
8	Tray 1
9	Output bin extension
10	Output bin
11	Walk-up USB port (for printing and scanning without a computer)

## Printer back view




- 
- |    |  |
|----|--|
| 1  | USB port (for job storage and private printing)<br><b>NOTE:</b> This port might be covered           |
| 2  | USB interface port   |
| 3  | Ethernet port  |
| 4  | Telephone “line out” port (for attaching an extension phone, answering machine, or other device)     |
| 5  | Fax “line in” port (for attaching the fax phone line to the printer)                                 |
| 6  | Power connection   |
| 7  | Tray 3 (optional)<br><b>NOTE:</b> Tray 3 extends when legal-size or A4-size paper is loaded          |
| 8  | Dust cover for Tray 2<br><b>NOTE:</b> Dust cover flips up when legal-size or A4-size paper is loaded |
| 9  | Serial number and printer number label   |
| 10 | Rear door (provides access for clearing jams)  |
-

## Control panel view

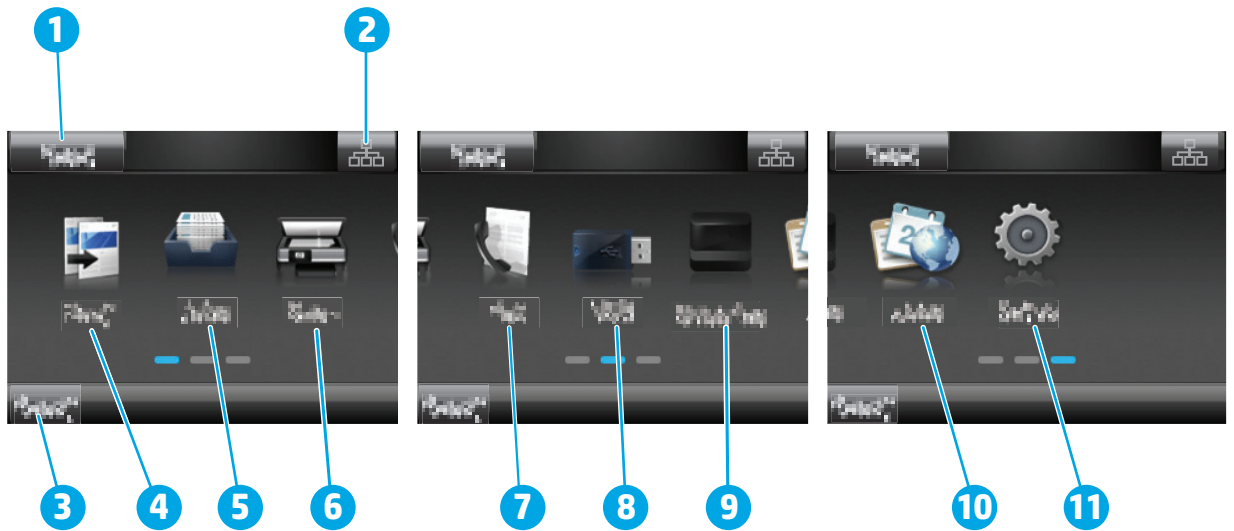



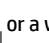








1	HP Back button	Returns to the previous screen
2	Home button	Provides access to the Home screen
3	Help button	Provides access to the control-panel help system
4	Color touchscreen	Provides access to menus, help animations, and printer information.
5	Home page screen indicator	The display indicates which Home screen the control panel is currently displaying.

 **NOTE:** While the control panel does not have a standard **Cancel** button, during many printer processes a **Cancel** button appears on the touchscreen. This permits users to cancel a process before the printer completes it.



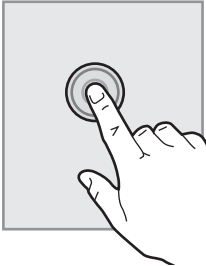

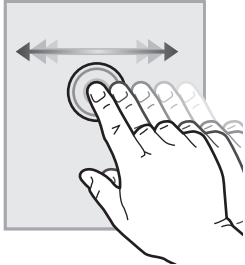

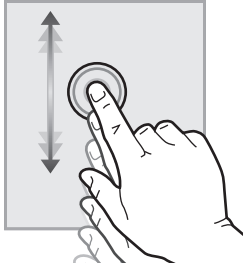
## Home screen layout



1	<a href="#">Reset</a> button	Touch this button to reset any temporary job settings to the default printer settings.
2	Connection Information button	Touch this button to open the <a href="#">Connection Information</a> menu, which provides network information. The button appears as either a wired network icon  or a wireless network icon  , depending on the type of network to which the printer is connected.
3	Printer status	This screen area provides information about the overall printer status.
4	<a href="#">Copy</a>  icon	Touch this button to open the copy menu.
5	<a href="#">Jobs</a>  icon	Touch this button to open the jobs menu.
6	<a href="#">Scan</a>  icon	Touch this button to open the scan menus: <ul style="list-style-type: none"> <li>• <a href="#">Scan to USB Drive</a></li> <li>• <a href="#">Scan to Network Folder</a></li> <li>• <a href="#">Scan to E-mail</a></li> </ul>
7	<a href="#">Fax</a>  icon	Touch this button to open the fax menus.
8	<a href="#">USB</a>  icon	Touch this button to open the <a href="#">USB Flash Drive</a> menu.
9	<a href="#">Supplies</a>  icon	Touch this button to view information about supplies status.
10	<a href="#">Apps</a>  icon	Touch this button to open the <a href="#">Apps</a> menu to print directly from select Web applications.
11	<a href="#">Setup</a>  icon	Touch this button to open the <a href="#">Setup</a> menu.

## How to use the touchscreen control panel

Use the following actions to use the printer touchscreen control panel.

Action	Description	Example
<b>Touch</b> 	Touch an item on the screen to select that item or open that menu. Also, when scrolling through menus, briefly touch the screen to stop the scrolling.	Touch the <a href="#">Setup</a>  icon to open the <a href="#">Setup</a> menu.
<b>Swipe</b> 	Touch the screen and then move the finger horizontally to scroll the screen sideways.	Swipe the Home screen to access the <a href="#">Setup</a>  icon.
<b>Scroll</b> 	Touch the screen, and then, without lifting the finger, move the finger vertically to move the screen.	Scroll through the <a href="#">Setup</a> menu.

# Printer specifications



**IMPORTANT:** The following specifications are correct at the time of publication, but they are subject to change. For current information, see [www.hp.com/support/ljM426MFP](http://www.hp.com/support/ljM426MFP), [www.hp.com/support/ljM427MFP](http://www.hp.com/support/ljM427MFP).

- [Technical specifications](#)
- [Supported operating systems](#)
- [Mobile printing solutions](#)
- [Printer dimensions](#)
- [Power consumption, electrical specifications, and acoustic emissions](#)
- [Operating environmental range](#)

## Technical specifications

<b>Model name</b>		<b>M426fdn</b>		
<b>Product number</b>		<b>F6W14A</b>		
<b>Model name</b>		<b>M426dw</b>	<b>M426m</b>	<b>M426fdw</b>
<b>Product number</b>		<b>F6W13A</b>	<b>F6W19A</b>	<b>F6W15A</b>
<b>Model name</b>		<b>M427dw</b>	<b>M427fdn</b>	<b>M427fdw</b>
<b>Product number</b>		<b>C5F97A</b>	<b>C5F98A</b>	<b>C5F99A</b>
<b>Paper handling</b>	Tray 1 (100-sheet capacity)	✓	✓	✓
	Tray 2 (250-sheet capacity)	✓	✓	✓
	Tray 3 (550-sheet capacity)	Optional	Optional	Optional
	Automatic duplex printing	✓	✓	✓
	<b>Connectivity</b>	10/100/1000 Ethernet LAN connection with IPv4 and IPv6	✓	✓
	Hi-Speed USB 2.0	✓	✓	✓
	Walk Up USB port	✓	✓	✓
	Print server for wireless network connectivity	✓	Not available	✓
	HP near field communication (NFC) for printing from mobile devices	Not available	Not available	✓
	Wi-Fi Direct for printing from mobile devices	✓	Not available	✓
<b>Control-panel display and input</b>	Color touchscreen control panel	✓	✓	✓
<b>Print</b>	Prints 38 pages per minute (ppm) on A4 and 40 ppm on letter-size paper	✓	✓	✓

<b>Model name</b>		<b>M426fdn</b>		
<b>Product number</b>		<b>F6W14A</b>		
<b>Model name</b>	<b>M426dw</b>	<b>M426m</b>	<b>M426fdw</b>	
<b>Product number</b>	<b>F6W13A</b>	<b>F6W19A</b>	<b>F6W15A</b>	
<b>Model name</b>	<b>M427dw</b>	<b>M427fdn</b>	<b>M427fdw</b>	
<b>Product number</b>	<b>C5F97A</b>	<b>C5F98A</b>	<b>C5F99A</b>	
	Job storage and private printing	✓	✓	✓
	Walk Up USB printing (no computer required)	✓	✓	✓
<b>Fax</b>		Not available	✓	✓
<b>Copy and Scan</b>	Copies and scans up to 26 pages per minute (ppm)	✓	✓	✓
	50-page document feeder with dual-head scanning for single-pass duplex copying and scanning	Not available	✓	✓
	50-page document feeder simplex copying and scanning	✓	Not available	Not available
	Scan to E-mail, Scan to USB, and Scan to Network Folder options	✓	✓	✓

## Supported operating systems

The following information applies to the printer-specific Windows PCL 6 and OS X print drivers and to the in-box software installation CD.


**Windows:** The HP Software Installer CD installs the HP PCL.6, HP PCL 6, or HP PCL-6 driver depending on the Windows operating system along with optional software when using the full software installer.


**Mac computers and OS X:** Mac computers and Apple mobile devices are supported with this printer. The OS X print driver and print utility are available for download from [hp.com](http://hp.com) and may also be available via Apple Software Update. The HP installer software for OS X is not included in the in-box CD. Follow these steps to download the OS X installer software:

1. Go to [www.hp.com/support/ljM426MFP](http://www.hp.com/support/ljM426MFP), [www.hp.com/support/ljM427MFP](http://www.hp.com/support/ljM427MFP).
2. Select **Support Options**, under **Download Options** select **Drivers, Software & Firmware**, and then select the printer bundle.
3. Click the operating system version, and then click the **Download** button.

<b>Operating system</b>	<b>Driver installed</b>	<b>Notes</b>
Windows® XP SP2 or later, 32-bit	The HP PCL.6 printer-specific print driver is installed for this operating system as part of the basic software installation. The basic installer installs the driver only.	<p>The full software installation is not supported for this operating system.</p> <p>Use UPD drivers for 64-bit operating systems.</p> <p>Microsoft retired mainstream support for Windows XP in April 2009. HP will continue to provide best effort support for the discontinued XP operating system.</p>
Windows Vista®, 32-bit	The HP PCL.6 printer-specific print driver is installed for this operating system as part of the basic software installation. The basic installer installs the driver only.	The full software installation is not supported for this operating system.
Windows Server 2003 SP1 or later, 32-bit	The HP PCL.6 printer-specific print driver is installed for this operating system as part of the basic software installation. The basic installer installs the driver only.	<p>The full software installation is not supported for this operating system.</p> <p>Use UPD drivers for 64-bit operating systems.</p> <p>Microsoft retired mainstream support for Windows Server 2003 in July 2010. HP will continue to provide best-effort support for the discontinued Server 2003 operating system.</p>
Windows 7, 32-bit and 64-bit	The HP PCL 6 printer-specific print driver is installed for this operating system as part of the full software installation.	The HP PCL 6 driver is configured to use the automatic two-sided printing (duplexing) feature as the default when installed in certain countries/regions.
Windows 8, 32-bit and 64-bit	The HP PCL-6 printer-specific print driver is installed for this operating system as part of the full software installation.	<p>Windows 8 RT support is provided through Microsoft IN OS Version 4, 32- bit driver.</p> <p>The HP PCL-6 driver is configured to use the automatic two-sided printing (duplexing) feature as the default when installed in certain countries/regions.</p>
Windows 8.1, 32-bit and 64-bit	The HP PCL-6 printer-specific print driver is installed for this operating system as part of the full software installation.	<p>Windows 8.1 RT support is provided through Microsoft IN OS Version 4, 32- bit driver.</p> <p>The HP PCL-6 driver is configured to use the automatic two-sided printing (duplexing) feature as the default when installed in certain countries/regions.</p>
Windows 10, 32-bit and 64-bit	The HP PCL-6 printer-specific print driver is installed for this operating system as part of the full software installation.	The HP PCL-6 driver is configured to use the automatic two-sided printing (duplexing) feature as the default when installed in certain countries/regions.
Windows Server 2008 SP2, 32-bit	The HP PCL.6 printer-specific print driver is installed for this operating system as part of the basic software installation.	
Windows Server 2008 SP2, 64-bit	The HP PCL 6 printer-specific print driver is installed for this operating system as part of the basic software installation.	The HP PCL 6 driver is configured to use the automatic two-sided printing (duplexing) feature as the default when installed in certain countries/regions.

Operating system	Driver installed	Notes
Windows Server 2008 R2, SP 1, 64-bit	The HP PCL 6 printer-specific print driver is installed for this operating system as part of the basic software installation.	The HP PCL 6 driver is configured to use the automatic two-sided printing (duplexing) feature as the default when installed in certain countries/regions.
OS X 10.8 Mountain Lion, OS X 10.9 Mavericks, and OS X 10.10 Yosemite	The OS X print driver and print utility are available for download from hp.com and may also be available via Apple Software Update. The HP installer software for OS X is not included in the in-box CD.	<p>For OS X, download the full installer from the support Web site for this printer.</p> <ol style="list-style-type: none"> <li>1. Go to <a href="http://www.hp.com/support/ljM426MFP">www.hp.com/support/ljM426MFP</a>, <a href="http://www.hp.com/support/ljM427MFP">www.hp.com/support/ljM427MFP</a>.</li> <li>2. Select <b>Support Options</b>, and then under <b>Download Options</b> select <b>Drivers, Software &amp; Firmware</b>.</li> <li>3. Click the operating system version, and then click the <b>Download</b> button.</li> </ol> <p>The OS X driver is configured to use the automatic two-sided printing (duplexing) feature as the default when installed in certain countries/regions.</p>


 **NOTE:** For a current list of supported operating systems, go to [www.hp.com/support/ljM426MFP](http://www.hp.com/support/ljM426MFP), [www.hp.com/support/ljM427MFP](http://www.hp.com/support/ljM427MFP) for HP's all-inclusive help for the printer.

 **NOTE:** For details on client and server operating systems and for HP UPD PCL6, UPD PCL 5, and UPD PS driver support for this printer, go to [www.hp.com/go/upd](http://www.hp.com/go/upd) and click the **Specifications** tab.

## Mobile printing solutions

The printer supports the following software for mobile printing:

- HP ePrint software

 **NOTE:** The HP ePrint Software supports the following operating systems: Windows 7 SP 1 (32-bit and 64-bit); Windows 8 (32-bit and 64-bit); Windows 8.1 (32-bit and 64-bit); and OS X versions 10.8 Mountain Lion, 10.9 Mavericks, and 10.10 Yosemite.

- HP ePrint via email (Requires HP Web Services to be enabled and the printer to be registered with HP Connected)
- HP ePrint app (Available for Android, iOS, and Blackberry)
- ePrint Enterprise app (Supported on all printers with ePrint Enterprise Server Software)
- HP All-in-One Remote app for iOS and Android devices
- Google Cloud Print
- AirPrint
- Android Printing

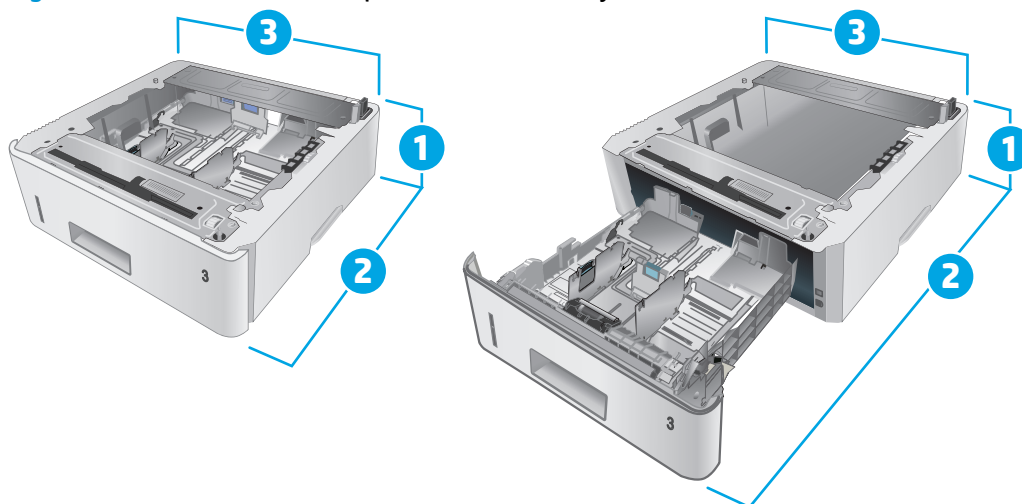
## Printer dimensions

**Figure 1-1** Dimensions for the M426 and M427 models



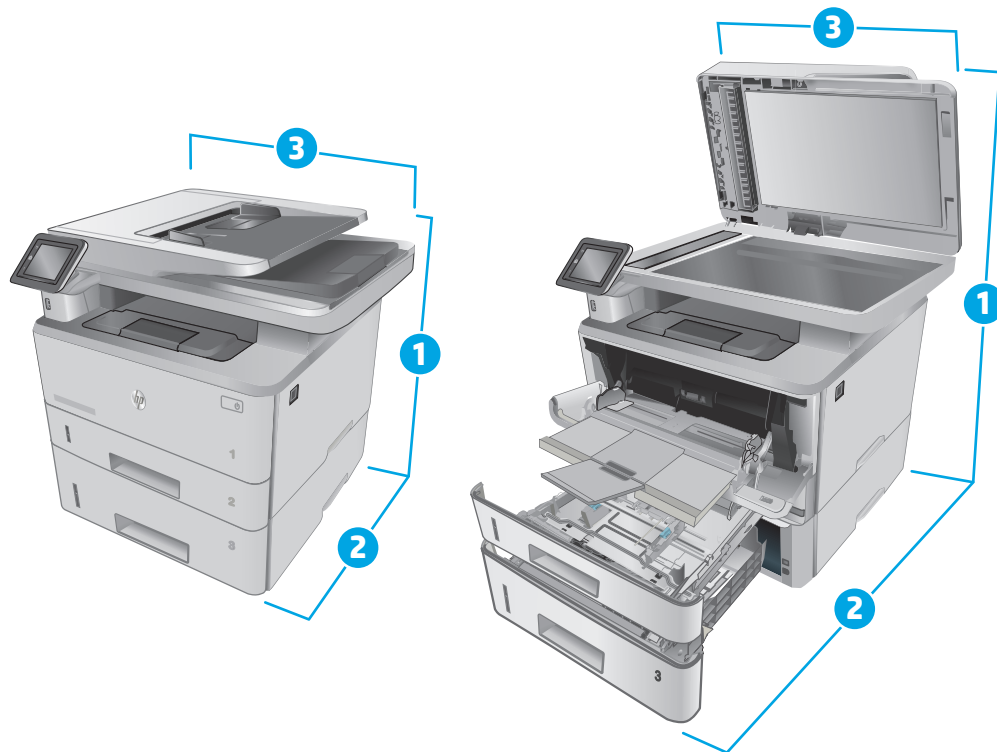
	Printer fully closed	Printer fully open
1. Height	452 mm (12.7 in)	577 mm (22.7 in)
2. Depth	390 mm (15.3 in)	839 mm (33 in)
3. Width	420 mm (16.5 in)	453 mm (17.8 in)
Weight (with cartridges)	13.1 kg (28.8 lb)	

**Figure 1-2** Dimensions for the optional 550-sheet tray



	Tray fully closed	Tray fully open
1. Height	131 mm (5.1 in)	131 mm (5.1 in)
2. Depth	357 mm (14 in)	781 mm (30.8 in)
3. Width	381 mm (15 in)	381 mm (15 in)
Weight (with cartridges)	3.7 kg (8.2 lb)	

**Figure 1-3** Dimensions for the printer with the optional 550-sheet tray



	Printer and tray fully closed	Printer and tray fully open
1. Height	452 mm (17.8 in)	706 mm (27.8 in)
2. Depth	390 mm (15.3 in)	839 mm (33 in)
3. Width	420 mm (16.5 in)	453 mm (17.8 in)
Weight (with cartridges)	16.6 kg (36.5 lb)	

## Power consumption, electrical specifications, and acoustic emissions

See [www.hp.com/support/ljM426MFP](http://www.hp.com/support/ljM426MFP), [www.hp.com/support/ljM427MFP](http://www.hp.com/support/ljM427MFP) for current information.

**CAUTION:** Power requirements are based on the country/region where the printer is sold. Do not convert operating voltages. This will damage the printer and void the printer warranty.



## Operating environmental range

**Table 1-1 Operating environmental range**

<b>Environment</b>	<b>Recommended</b>	<b>Allowed</b>
Temperature	17.5° to 25°C (63.5° to 77°F)	15° to 32.5°C (59° to 90.5°F)
Relative humidity	30% to 70% relative humidity (RH)	10% to 80% RH
Altitude	Not applicable	0 to 3048 m (0 to 10,000 ft)

## Printer hardware setup and software installation

For basic setup instructions, see the Setup Poster and Getting Started Guide that came with the printer. For additional instructions, go to HP support on the Web.

Go to [www.hp.com/support/ljM426MFP](http://www.hp.com/support/ljM426MFP), [www.hp.com/support/ljM427MFP](http://www.hp.com/support/ljM427MFP) for HP's all-inclusive help for the printer. Find the following support:

- Install and configure
- Learn and use
- Solve problems
- Download software and firmware updates
- Join support forums
- Find warranty and regulatory information

---

## 2 Paper trays

- [Load Tray 1](#)
- [Load Tray 2](#)
- [Load Tray 3](#)
- [Load and print envelopes](#)

### For more information:

The following information is correct at the time of publication. For current information, see [www.hp.com/support/ljM426MFP](http://www.hp.com/support/ljM426MFP), [www.hp.com/support/ljM427MFP](http://www.hp.com/support/ljM427MFP).

HP's all-inclusive help for the printer includes the following information:

- Install and configure
- Learn and use
- Solve problems
- Download software and firmware updates
- Join support forums
- Find warranty and regulatory information

# Load Tray 1

## Introduction

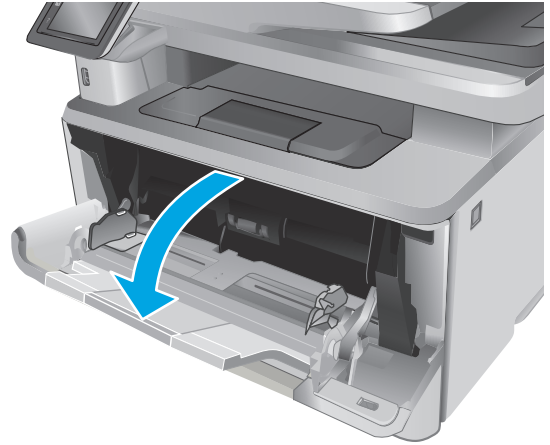
The following information describes how to load paper in Tray 1. This tray holds up to 100 sheets of 75 g/m<sup>2</sup> (20 lb) paper.

---

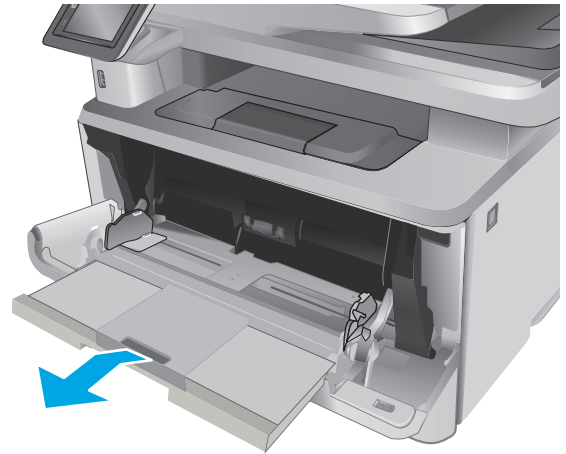
**CAUTION:** To avoid paper jams, never add or remove paper from Tray 1 during printing.

---

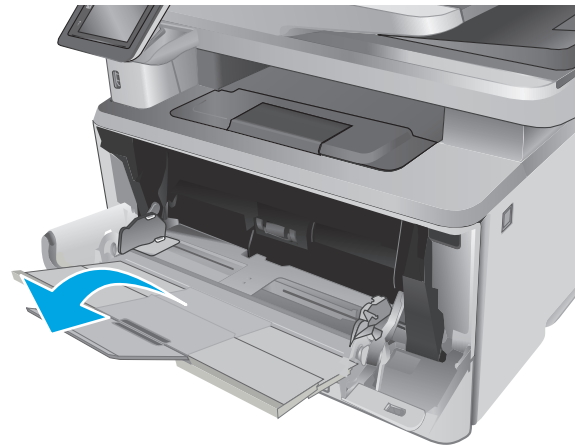
1. Open Tray 1 by grasping the handles on the left and right side of the tray and pulling down.



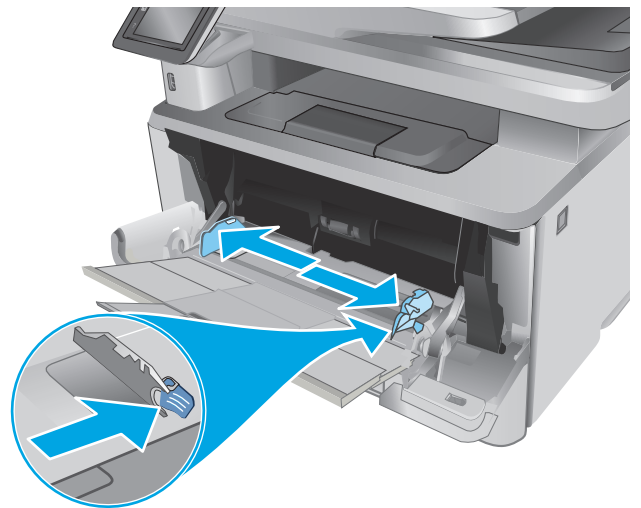
2. Slide out the tray extension.



3. For long paper, flip out the tray extension to support the paper.

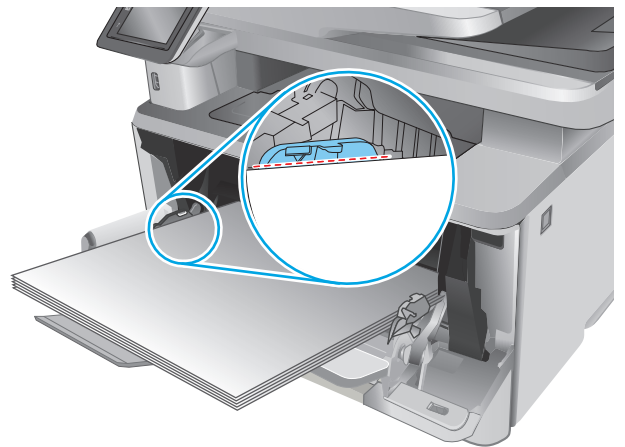


4. Press down on the tab on the right paper guide, and then spread the paper guides to the correct size.

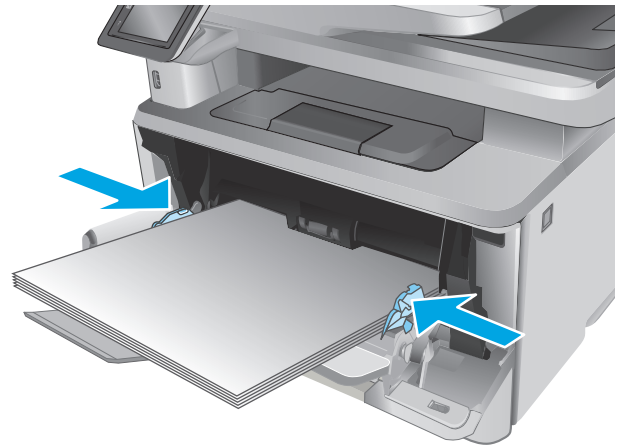


5. Load the paper into the tray. Make sure that the paper fits under the tabs and below the maximum-height indicators.

The orientation of the paper in the tray varies depending on the paper size. For additional information, see [Tray 1 paper orientation on page 19](#)



6. Press down on the tab on the right paper guide, and then adjust the paper guides so that they lightly touch the paper stack but do not bend the paper.

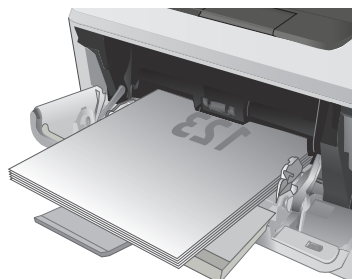
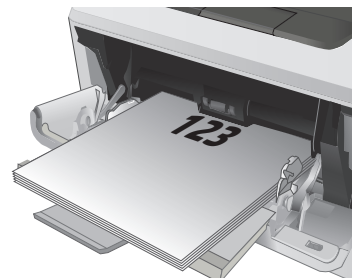


7. At the computer, begin the printing process from the software application. Make sure that the driver is set to the correct paper type and size for the paper being printed from the tray.

## Tray 1 paper orientation

When using paper that requires a specific orientation, load it according to the information in the following table.

Paper type	Output	How to load paper
Letterhead or preprinted	1-sided printing	Face-up Top edge leading into the printer
Letterhead or preprinted	2-sided printing	Face-down Top edge leading into the printer



# Load Tray 2

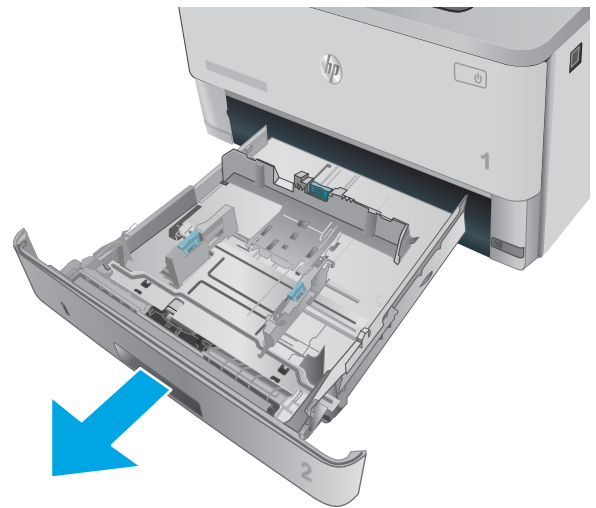
## Introduction

The following information describes how to load paper in Tray 2 . This tray holds up to 250 sheets of 75 g/m<sup>2</sup> (20 lb) paper.

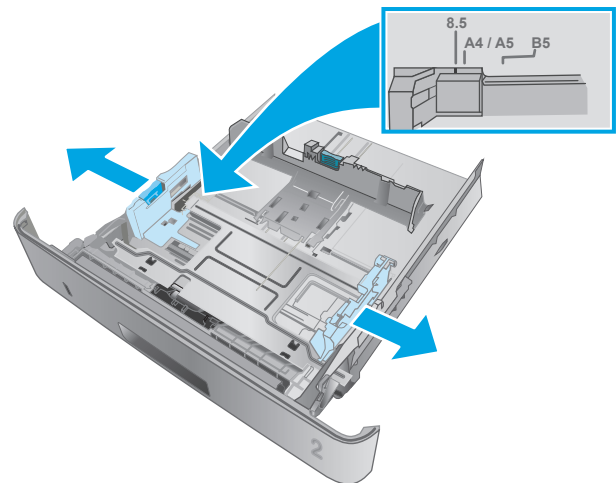
**CAUTION:** Do not print envelopes, labels, or unsupported sizes of paper from Tray 2. Print these types of paper only from Tray 1.

1. Pull the tray out and lift up slightly to remove it completely from the printer.

**NOTE:** Do not open the tray while it is in use.

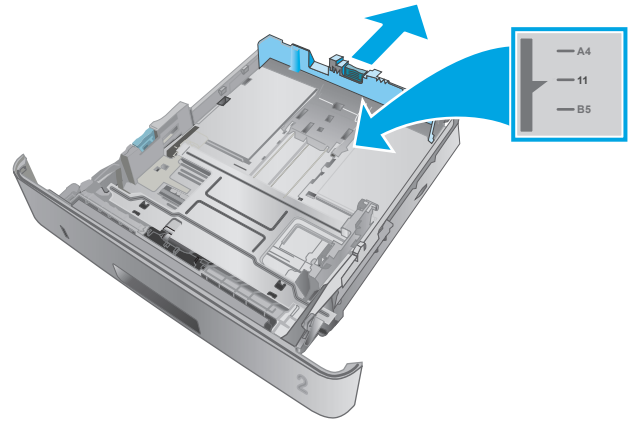


2. Adjust the paper-width guides by squeezing the adjustment latch on the left guide and sliding the guides to the size of the paper being used.





3. Adjust the paper-length guide by squeezing the adjustment latch and sliding the guides to the size of the paper being used.

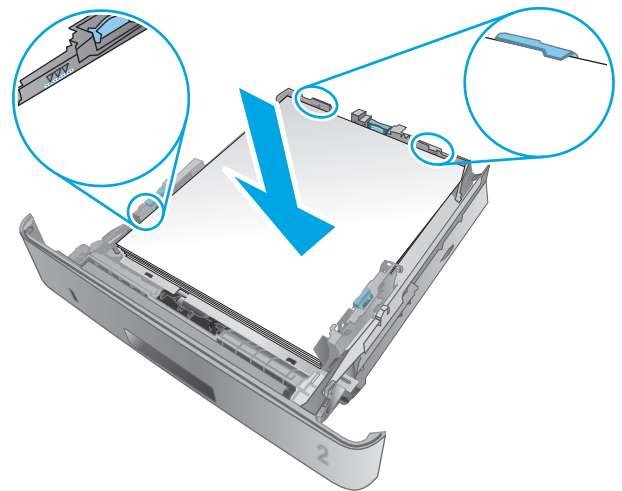


4. Load paper into the tray. For information about how to orient the paper, see [Tray 2 paper orientation on page 22](#)

**NOTE:** Do not adjust the paper guides tightly against the paper stack. Adjust them to the indentations or markings in the tray.

**NOTE:** To prevent jams, adjust the paper guides to the correct size and do not overfill the tray. Be sure that the top of the stack is below the tray full indicators, as shown in the enlargement in the illustration.

**NOTE:** If the tray is not adjusted correctly, an error message might display during printing or the paper might jam.



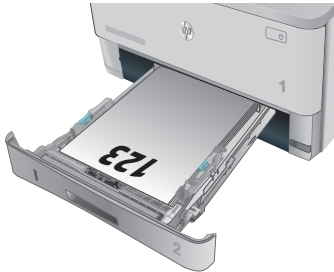
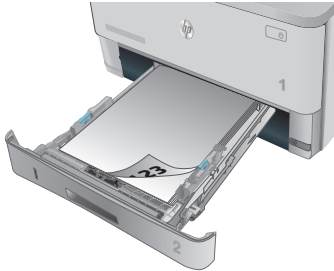
5. Slide the tray completely into the printer.



6. At the computer, begin the printing process from the software application. Make sure that the driver is set to the correct paper type and size for the paper being printed from the tray.

## Tray 2 paper orientation

When using paper that requires a specific orientation, load it according to the information in the following table.

Paper type	Output	How to load paper
Letterhead or preprinted	1-sided printing	Face-up Top edge at the front of the tray
		
Letterhead or preprinted	2-sided printing	Face-down Top edge at the front of the tray
		

# Load Tray 3

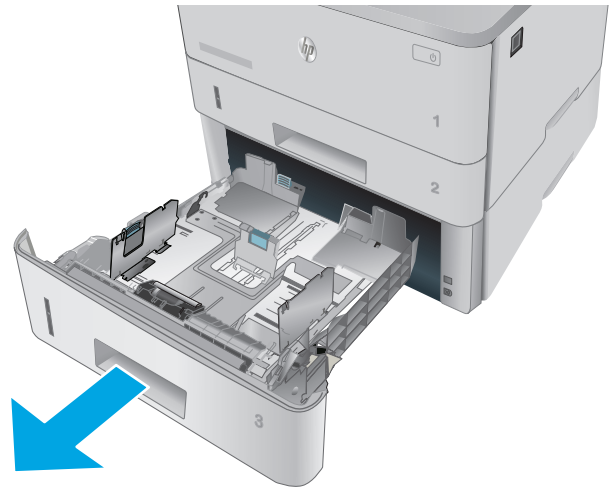
## Introduction

The following information describes how to load paper in Tray 3. This tray holds up to 550 sheets of 75 g/m<sup>2</sup> (20 lb) paper.

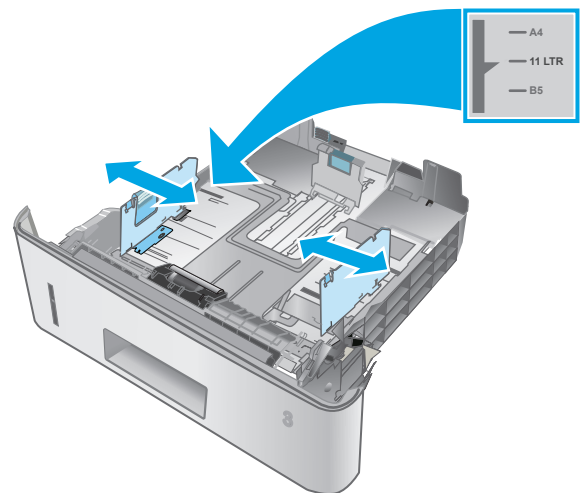
**CAUTION:** Do not print envelopes, labels, or unsupported sizes of paper from Tray 3. Print these types of paper only from Tray 1.

1. Pull the tray out and lift up slightly to remove it completely from the printer.

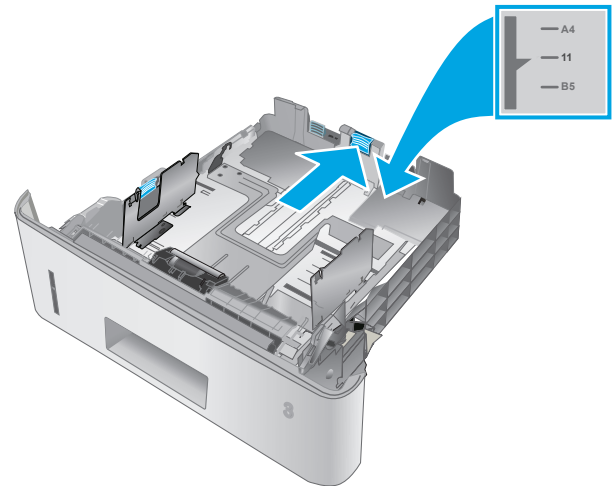
**NOTE:** Do not open the tray while it is in use.



2. Adjust the paper-width guides by squeezing the adjustment latch on the left guide and sliding the guides to the size of the paper being used.



3. Adjust the paper-length guide by squeezing the adjustment latch and sliding the guides to the size of the paper being used.

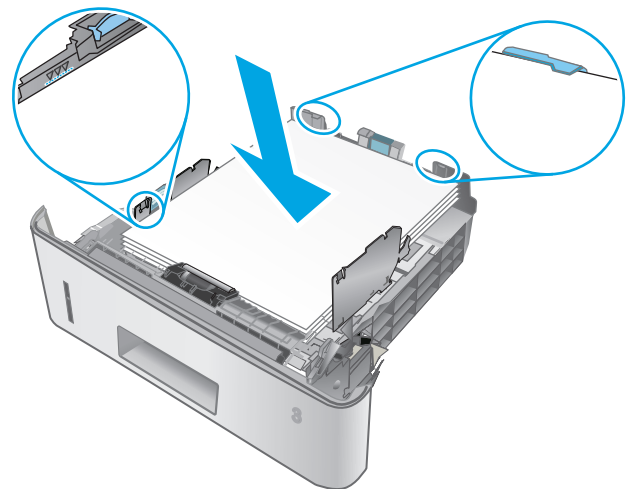


4. Load paper into the tray. For information about how to orient the paper, see [Tray 3 paper orientation on page 25](#)

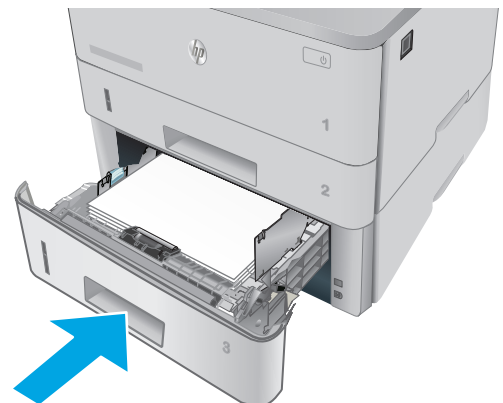
**NOTE:** Do not adjust the paper guides tightly against the paper stack. Adjust them to the indentations or markings in the tray.

**NOTE:** To prevent jams, adjust the paper guides to the correct size and do not overfill the tray. Be sure that the top of the stack is below the tray full indicators, as shown in the enlargement in the illustration.

**NOTE:** If the tray is not adjusted correctly, an error message might display during printing or the paper might jam.



5. Slide the tray completely into the printer.





6. At the computer, begin the printing process from the software application. Make sure that the driver is set to the correct paper type and size for the paper being printed from the tray.

## Tray 3 paper orientation

When using paper that requires a specific orientation, load it according to the information in the following table.

Paper type	Output	How to load paper
Letterhead or preprinted	1-sided printing	Face-up Top edge at the front of the tray
Letterhead or preprinted	2-sided printing	Face-down Top edge at the front of the tray



# Load and print envelopes

## Introduction

The following information describes how to print and load envelopes. Use only Tray 1 to print on envelopes. Tray 1 holds up to 10 envelopes.


To print envelopes using the manual feed option, follow these steps to select the correct settings in the print driver, and then load the envelopes into the tray after sending the print job to the printer.

## Print envelopes

1. From the software program, select the **Print** option.
2. Select the printer from the list of printers, and then click or tap the **Properties** or **Preferences** button to open the print driver.

---

 **NOTE:** The name of the button varies for different software programs.

 **NOTE:** To access these features from a Windows 8 or 8.1 Start screen, select **Devices**, select **Print**, and then select the printer.

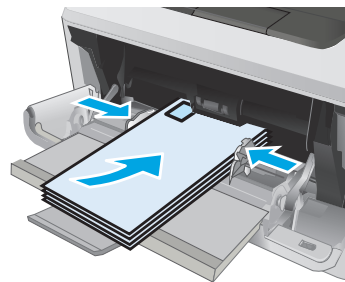
---

3. Click or tap the **Paper/Quality** tab.
4. In the **Paper size** drop-down list, select the correct size for the envelopes.
5. In the **Paper type** drop-down list, select **Envelope**.
6. In the **Paper source** drop-down list, select **Manual feed**.
7. Click the **OK** button to close the **Document Properties** dialog box.
8. In the **Print** dialog box, click the **OK** button to print the job.

## Envelope orientation

---

Load envelopes in Tray 1 face up, with the short, postage end leading into the printer.



---

## 3 Supplies, accessories, and parts

- [Order supplies, accessories, and parts](#)
- [Replace the toner cartridge](#)

### For more information:

The following information is correct at the time of publication. For current information, see [www.hp.com/support/ljM426MFP](http://www.hp.com/support/ljM426MFP), [www.hp.com/support/ljM427MFP](http://www.hp.com/support/ljM427MFP).

HP's all-inclusive help for the printer includes the following information:

- Install and configure
- Learn and use
- Solve problems
- Download software and firmware updates
- Join support forums
- Find warranty and regulatory information

# Order supplies, accessories, and parts

## Ordering

Order supplies and paper	<a href="http://www.hp.com/go/suresupply">www.hp.com/go/suresupply</a>
Order genuine HP parts or accessories	<a href="http://www.hp.com/buy/parts">www.hp.com/buy/parts</a>
Order through service or support providers	Contact an HP-authorized service or support provider.
Order using the HP Embedded Web Server (EWS)	To access, in a supported Web browser on the computer, enter the printer IP address or host name in the address/URL field. The EWS contains a link to the HP SureSupply Web site, which provides options for purchasing Original HP supplies.

## Supplies and accessories

Item	Description	Cartridge number	Part number
<b>Supplies</b>			
HP 26A Black Original LaserJet Toner Cartridge	Standard-capacity replacement black toner cartridge	26A	CF226A
<b>NOTE:</b> M426 models only			
HP 28A Black Original LaserJet Toner Cartridge	Standard-capacity replacement black toner cartridge	28A	CF228A
<b>NOTE:</b> M427 models only			
HP 26X High Yield Black Original LaserJet Toner Cartridge	High-capacity replacement black toner cartridge	26X	CF226X
<b>NOTE:</b> M426 models only			
HP 28X High Yield Black Original LaserJet Toner Cartridge)	High-capacity replacement black toner cartridge	28X	CF228X
<b>NOTE:</b> M427 models only			
<b>Accessories</b>			
HP LaserJet 1 x 550 Paper Feeder	550-sheet paper feeder (optional Tray 3)	Not applicable	rm2-5413-000CN

## Customer self-repair parts

Customer Self-Repair (CSR) parts are available for many HP LaserJet printers to reduce repair time. More information about the CSR program and benefits can be found at [www.hp.com/go/csr-support](http://www.hp.com/go/csr-support) and [www.hp.com/go/csr-faq](http://www.hp.com/go/csr-faq).

Genuine HP replacement parts can be ordered at [www.hp.com/buy/parts](http://www.hp.com/buy/parts) or by contacting an HP-authorized service or support provider. When ordering, one of the following will be needed: part number, serial number (found on back of printer), printer number, or printer name.



- Parts listed as **Mandatory** self-replacement are to be installed by customers, unless you are willing to pay HP service personnel to perform the repair. For these parts, on-site or return-to-depot support is not provided under the HP printer warranty.
- Parts listed as **Optional** self-replacement can be installed by HP service personnel at your request for no additional charge during the printer warranty period.

<b>Item</b>	<b>Description</b>	<b>Self-replacement options</b>	<b>Part number</b>
Multipurpose tray roller	Replacement tray roller	Mandatory	RL2-0656-000CN
250-sheet paper input tray	Replacement cassette for Tray 2	Mandatory	RM2-5392-000CN
HP LaserJet 1 x 550 Paper Feeder	550-sheet paper feeder (optional Tray 3)	Mandatory	rm2-5413-000CN
Tray 2 paper pickup roller assembly	Replacement Tray 2 pickup rollers	Mandatory	RM2-5452-000CN
Tray 3 paper pickup roller assembly	Replacement Tray 3 pickup rollers	Mandatory	RM2-57412-000CN
Tray 2 separation roller assembly	Replacement Tray 2 separation rollers	Mandatory	RM2-5397-000CN
Tray 3 separation roller assembly	Replacement Tray 3 separation rollers	Mandatory	RM2-5745-000CN

# Replace the toner cartridge

- [Introduction](#)
- [Toner-cartridge information](#)
- [Remove and replace the toner cartridge](#)

## Introduction


The following information provides details about the toner cartridge for the printer, and it includes instructions to replace it.

## Toner-cartridge information


This printer indicates when the toner cartridge level is low and very low. The actual toner cartridge life remaining can vary. Consider having a replacement cartridge available to install when print quality is no longer acceptable.

To purchase cartridges or check cartridge compatibility for the printer, go to HP SureSupply at [www.hp.com/go/suresupply](http://www.hp.com/go/suresupply). Scroll to the bottom of the page and verify that the country/region is correct.

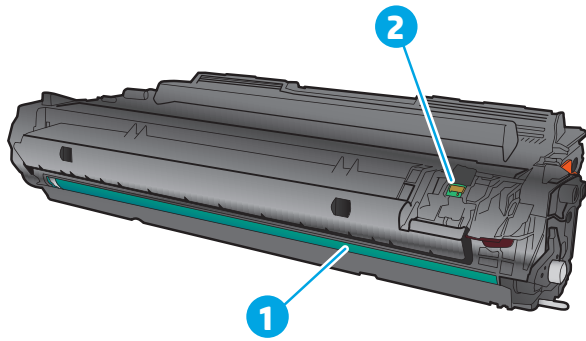
Capacity	Description	Cartridge number	Part number
HP 26A Black Original LaserJet Toner Cartridge	Standard-capacity replacement black toner cartridge	26A	CF226A
<b>NOTE:</b> M426 models only			
HP 28A Black Original LaserJet Toner Cartridge	Standard-capacity replacement black toner cartridge	28A	CF228A
<b>NOTE:</b> M427 models only			
HP 26X High Yield Black Original LaserJet Toner Cartridge	High-capacity replacement black toner cartridge	26X	CF226X
<b>NOTE:</b> M426 models only			
HP 28X High Yield Black Original LaserJet Toner Cartridge)	High-capacity replacement black toner cartridge	28X	CF228X
<b>NOTE:</b> M427 models only			

 **NOTE:** High-yield toner cartridges contain more toner than standard cartridges for increased page yield. For more information, go to [www.hp.com/go/learnaboutsupplies](http://www.hp.com/go/learnaboutsupplies).

Do not remove the toner cartridge from its package until it is time to replace it.

 **CAUTION:** To prevent damage to the toner cartridge, do not expose it to light for more than a few minutes. Cover the green imaging drum if the toner cartridge must be removed from the printer for an extended period of time.

The following illustration shows the toner-cartridge components.



---

1 Imaging drum

**CAUTION:** Do not touch the imaging drum. Fingerprints can cause print-quality problems.

---

2 Memory chip

---

**CAUTION:** If toner gets on clothing, wipe it off by using a dry cloth and wash the clothes in cold water. Hot water sets toner into fabric.

**NOTE:** Information about recycling used toner cartridges is in the toner-cartridge box.

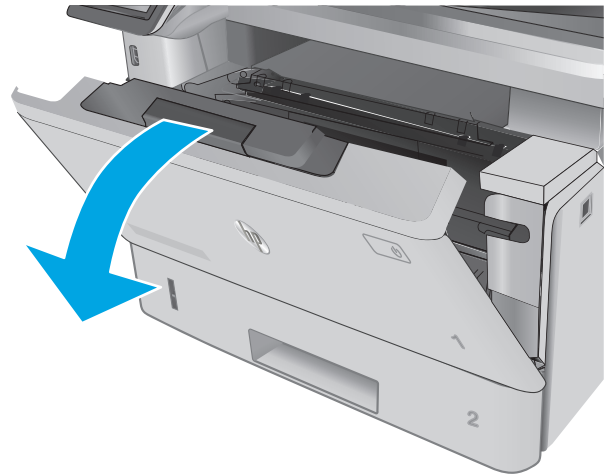
---

## Remove and replace the toner cartridge

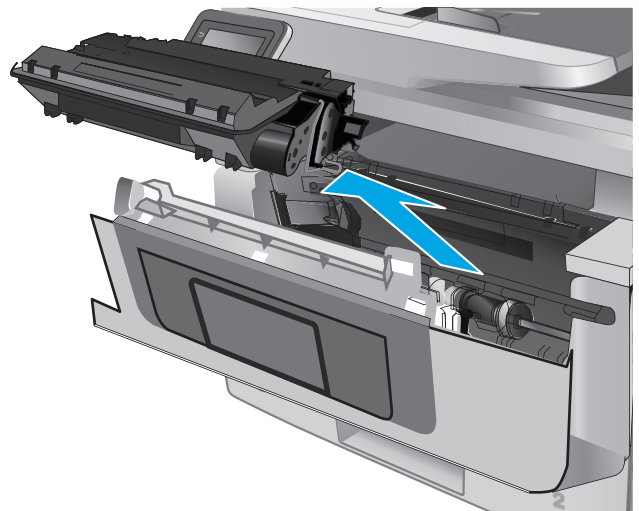
1. Press the front-door-release button.



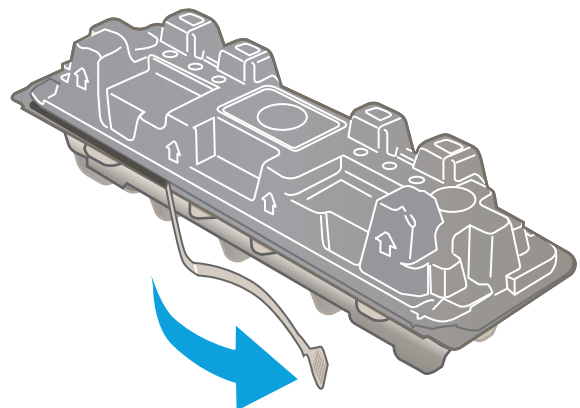
2. Open the front door.



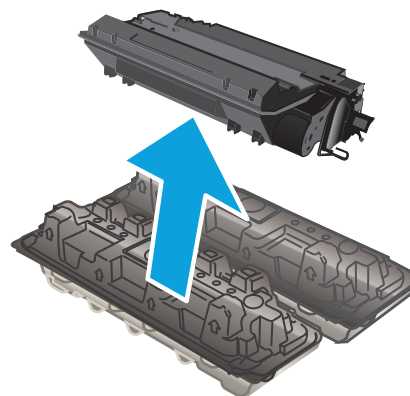
3. Remove the used toner cartridge from the printer.



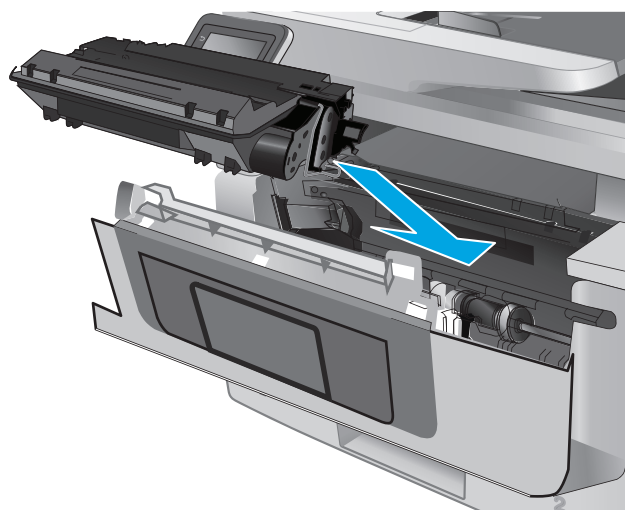
4. Remove the new toner cartridge package from the box, and then pull the release tab on the packaging.



5. Remove the toner cartridge from the opened packaging shell. Place the used toner cartridge in the shell for recycling.



6. Align the toner cartridge with the tracks inside the printer, and install the toner cartridge until it is firmly seated.



7. Close the front door.





---

# 4 Print

- [Print tasks \(Windows\)](#)
- [Print tasks \(OS X\)](#)
- [Store print jobs on the product to print later or print privately](#)
- [Mobile printing](#)
- [Use walk-up USB printing](#)

## For more information:

The following information is correct at the time of publication. For current information, see [www.hp.com/support/ljM426MFP](http://www.hp.com/support/ljM426MFP), [www.hp.com/support/ljM427MFP](http://www.hp.com/support/ljM427MFP).

HP's all-inclusive help for the printer includes the following information:

- Install and configure
- Learn and use
- Solve problems
- Download software and firmware updates
- Join support forums
- Find warranty and regulatory information


# Print tasks (Windows)

## How to print (Windows)


The following procedure describes the basic printing process for Windows.

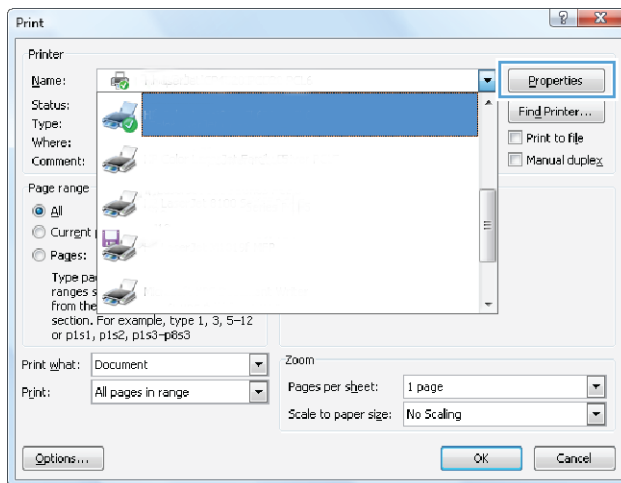
1. From the software program, select the **Print** option.
2. Select the printer from the list of printers. To change settings, click or tap the **Properties** or **Preferences** button to open the print driver.

 **NOTE:** The name of the button varies for different software programs.

 **NOTE:** To access these features from a Windows 8 or 8.1 Start screen app, select **Devices**, select **Print**, and then select the printer.

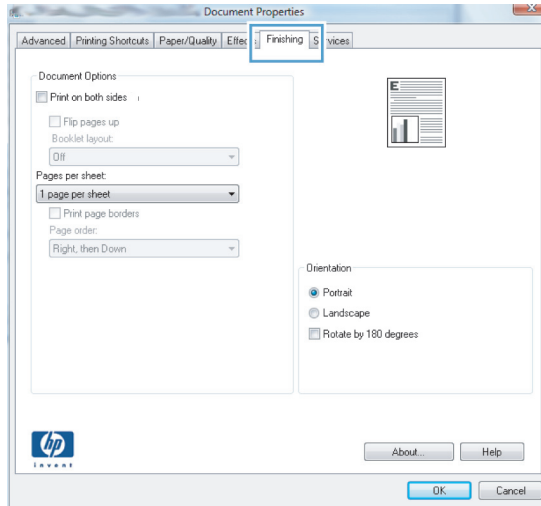
 **NOTE:** For more information, click the Help (?) button in the print driver.

 **NOTE:** The print driver might look different than what is shown here, but the steps are the same.





3. Click or tap the tabs in the print driver to configure the available options. For example, set the paper orientation on the **Finishing** tab, and set the paper source, paper type, paper size, and quality settings on the **Paper/Quality** tab.



4. Click or tap the **OK** button to return to the **Print** dialog box. Select the number of copies to print from this screen.
5. Click or tap the **OK** button to print the job.


## Automatically print on both sides (Windows)

Use this procedure for printers that have an automatic duplexer installed. If the printer does not have an automatic duplexer installed, or to print on paper types that the duplexer does not support, print on both sides manually.

1. From the software program, select the **Print** option.
2. Select the printer from the list of printers, and then click or tap the **Properties** or **Preferences** button to open the print driver.

---

 **NOTE:** The name of the button varies for different software programs.

 **NOTE:** To access these features from a Windows 8 or 8.1 Start screen app, select **Devices**, select **Print**, and then select the printer.

---


3. Click or tap the **Finishing** tab.
4. Select the **Print on both sides** check box. Click the **OK** button to close the **Document Properties** dialog box.
5. In the **Print** dialog box, click the **OK** button to print the job.


## Manually print on both sides (Windows)

Use this procedure for printers that do not have an automatic duplexer installed or to print on paper that the duplexer does not support.

1. From the software program, select the **Print** option.
2. Select the printer from the list of printers, and then click or tap the **Properties** or **Preferences** button to open the print driver.

---

 **NOTE:** The name of the button varies for different software programs.

 **NOTE:** To access these features from a Windows 8 or 8.1 Start screen app, select **Devices**, select **Print**, and then select the printer.

---


3. Click or tap the **Finishing** tab.
4. Select the **Print on both sides (manually)** check box. Click the **OK** button to print the first side of the job.
5. Retrieve the printed stack from the output bin, and place it in Tray 1.
6. If prompted, touch the appropriate control panel button to continue.

## Print multiple pages per sheet (Windows)

1. From the software program, select the **Print** option.
2. Select the printer from the list of printers, and then click or tap the **Properties** or **Preferences** button to open the print driver.

---

 **NOTE:** The name of the button varies for different software programs.

 **NOTE:** To access these features from a Windows 8 or 8.1 Start screen app, select **Devices**, select **Print**, and then select the printer.

---

3. Click or tap the **Finishing** tab.
4. Select the number of pages per sheet from the **Pages per sheet** drop-down list.
5. Select the correct **Print page borders**, **Page order**, and **Orientation** options. Click the **OK** button to close the **Document Properties** dialog box.
6. In the **Print** dialog box, click the **OK** button to print the job.

## Select the paper type (Windows)

1. From the software program, select the **Print** option.
2. Select the printer from the list of printers, and then click or tap the **Properties** or **Preferences** button to open the print driver.

---

 **NOTE:** The name of the button varies for different software programs.

 **NOTE:** To access these features from a Windows 8 or 8.1 Start screen app, select **Devices**, select **Print**, and then select the printer.

---

3. Click or tap the **Paper/Quality** tab.

4. From the **Paper type** drop-down list, click the **More...** option.
5. Expand the list of **Type is:** options.
6. Expand the category of paper types that best describes your paper.
7. Select the option for the type of paper you are using, and then click the **OK** button.
8. Click the **OK** button to close the **Document Properties** dialog box. In the **Print** dialog box, click the **OK** button to print the job.

If the tray needs to be configured, a tray configuration message displays on the printer control panel.

9. Load the tray with the specified type and size of paper, and then close the tray.
10. Touch the **OK** button to accept the detected type and size, or touch the **Modify** button to choose a different paper size or type.
11. Select the correct type and size, and then touch the **OK** button.

## Additional print tasks

Go to [www.hp.com/support/ljM426MFP](http://www.hp.com/support/ljM426MFP), [www.hp.com/support/ljM427MFP](http://www.hp.com/support/ljM427MFP).

Instructions are available for performing specific print tasks, such as the following:

- Create and use printing shortcuts or presets
- Select the paper size, or use a custom paper size
- Select the page orientation
- Create a booklet
- Scale a document to fit a specific paper size
- Print the first or last pages of the document on different paper
- Print watermarks on a document

# Print tasks (OS X)

## How to print (OS X)

The following procedure describes the basic printing process for OS X.

1. Click the **File** menu, and then click the **Print** option.
2. Select the printer.
3. Click **Show Details** or **Copies & Pages**, and then select other menus to adjust the print settings.

---

 **NOTE:** The name of the item varies for different software programs.

---


4. Click the **Print** button.

## Automatically print on both sides (OS X)

---

 **NOTE:** This information applies to printers that include an automatic duplexer.

---

 **NOTE:** This feature is available if you install the HP print driver. It might not be available if you are using AirPrint.

---

1. Click the **File** menu, and then click the **Print** option.
2. Select the printer.
3. Click **Show Details** or **Copies & Pages**, and then click the **Layout** menu.

---


 **NOTE:** The name of the item varies for different software programs.

---

4. Select a binding option from the **Two-Sided** drop-down list.
5. Click the **Print** button.

## Manually print on both sides (OS X)

---

 **NOTE:** This feature is available if you install the HP print driver. It might not be available if you are using AirPrint.

---

1. Click the **File** menu, and then click the **Print** option.
2. Select the printer.
3. Click **Show Details** or **Copies & Pages**, and then click the **Manual Duplex** menu.

---

 **NOTE:** The name of the item varies for different software programs.

---

4. Click the **Manual Duplex** box, and select a binding option.
5. Click the **Print** button.
6. Go to the printer, and remove any blank paper that is in Tray 1.

7. Retrieve the printed stack from the output bin and place it with the printed-side facing down in the input tray.
8. If prompted, touch the appropriate control panel button to continue.

## Print multiple pages per sheet (OS X)

1. Click the **File** menu, and then click the **Print** option.
2. Select the printer.
3. Click **Show Details** or **Copies & Pages**, and then click the **Layout** menu.



---

**NOTE:** The name of the item varies for different software programs.

---

4. From the **Pages per Sheet** drop-down list, select the number of pages that you want to print on each sheet.
5. In the **Layout Direction** area, select the order and placement of the pages on the sheet.
6. From the **Borders** menu, select the type of border to print around each page on the sheet.
7. Click the **Print** button.

## Select the paper type (OS X)

1. Click the **File** menu, and then click the **Print** option.
2. Select the printer.
3. Click **Show Details** or **Copies & Pages**, and then click the **Media & Quality** menu or the **Paper/Quality** menu.



---

**NOTE:** The name of the item varies for different software programs.

---

4. Select from the **Media & Quality** or **Paper/Quality** options.



---

**NOTE:** This list contains the master set of options available. Some options are not available on all printers.

---

- **Media Type:** Select the option for the type of paper for the print job.
  - **Print Quality:** Select the resolution level for the print job.
  - **Edge-To-Edge Printing:** Select this option to print close to the paper edges.
  - **EconoMode:** Select this option to conserve toner when printing drafts of documents.
5. Click the **Print** button.

## Additional print tasks

Go to [www.hp.com/support/ljM426MFP](http://www.hp.com/support/ljM426MFP), [www.hp.com/support/ljM427MFP](http://www.hp.com/support/ljM427MFP).

Instructions are available for performing specific print tasks, such as the following:

- Create and use printing shortcuts or presets
- Select the paper size, or use a custom paper size
- Select the page orientation
- Create a booklet
- Scale a document to fit a specific paper size
- Print the first or last pages of the document on different paper
- Print watermarks on a document

# Store print jobs on the product to print later or print privately

- [Introduction](#)
- [Before you begin](#)
- [Set up the printer for job storage](#)
- [Create a stored job \(Windows\)](#)
- [Print a stored job](#)
- [Delete a stored job](#)

## Introduction

This section provides procedures for creating and printing documents that are stored on the printer. These jobs can be printed at a later time or printed privately.

## Before you begin

The job storage feature has the following requirements:

- A dedicated USB 2.0 flash drive with at least 16 GB free space must be installed in the rear host USB. This USB flash drive holds the job storage jobs sent to the printer. Removing this USB flash drive from the printer disables the job storage feature.
- If you are using an HP Universal Print Driver (UPD), you must use UPD version 5.9.0 or above.


## Set up the printer for job storage

Complete the following processes to enable the printer job storage feature.

### Step one: Install the USB flash drive

1. Locate the rear USB port.

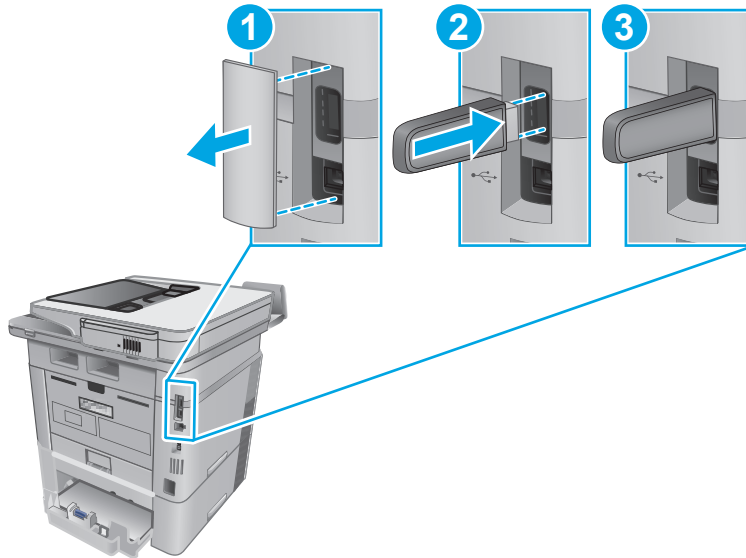
---


 **NOTE:** On some models, the rear USB port is covered. Remove the rear USB port cover before proceeding.

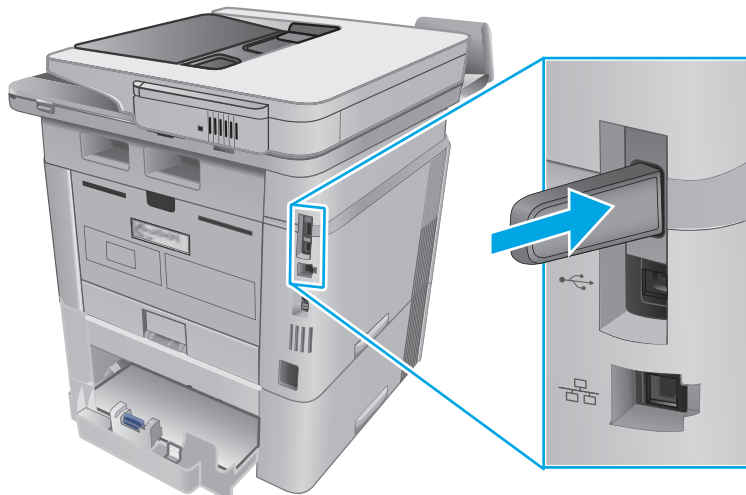
---



2. Install the USB flash drive into the rear USB port.



 **NOTE:** The M402d and M403d models do not have a rear USB port.



The control panel displays a **The USB drive will be formatted** message.

3. Select **OK** to complete the procedure.

## Step two: Update the print driver

### Update the print driver in Windows

1. Click the **Start** button, and then click **Devices and Printers**.
2. Right-click on the name of the HP printer, and then select **Printer properties**.
3. In the **Properties** dialog, select the **Device Settings** tab.
4. Select **Update Now**, and then click **OK**. The print driver updates.

The updated print driver will include the **Job Storage** tab.


## Access Job Storage features on legacy Windows operating systems

To access the Job Storage features on legacy Windows operating systems, such as Windows XP or Vista, complete the following steps:


1. Click the **Start** button, and then click **Control Panel**.
2. Select **Printers and Faxes**, right-click on the name of the HP printer, and then select **Properties**.
3. Select the **Device Settings** tab.
4. Under **Installable Options**, change **Automatic Configuration** from **Off** to **Update Now**, and then click **OK**. Wait until the printer validation completes.


## Create a stored job (Windows)

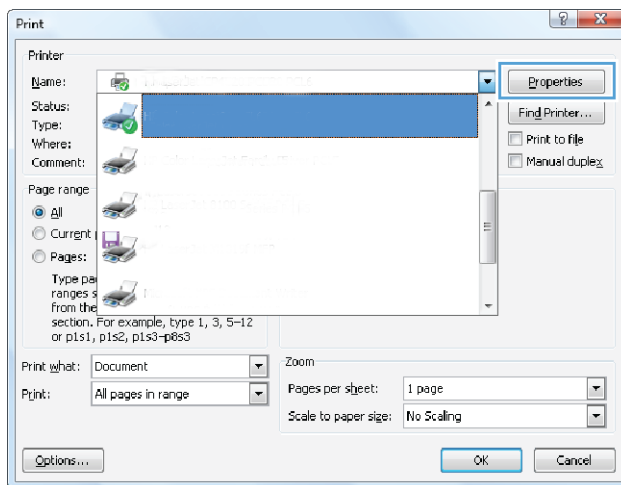
Store jobs on the printer for private or delayed printing.

 **NOTE:** The print driver might look different than what is shown here, but the steps are the same.

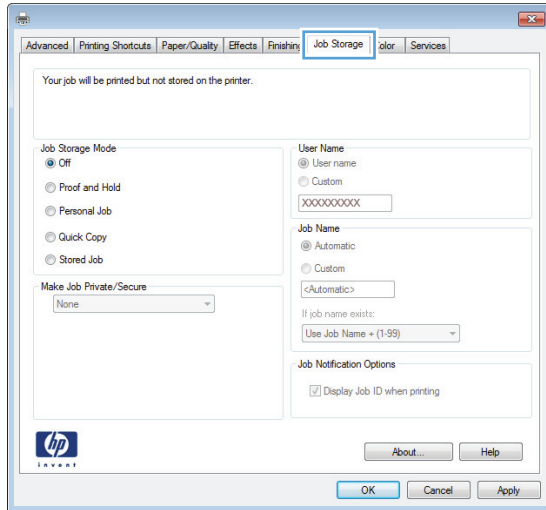
1. From the software program, select the **Print** option.
2. Select the printer from the list of printers, and then select **Properties** or **Preferences** (the name varies for different software programs).

 **NOTE:** The name of the button varies for different software programs.

 **NOTE:** To access these features from a Windows 8 or 8.1 Start screen app, select **Devices**, select **Print**, and then select the printer.



- Click the **Job Storage** tab.



- Select a **Job Storage Mode** option.

Mode	Description	PIN protected	Job deletion
<b>Proof and Hold</b>	Print the first page of a document to verify print quality, and then print the rest of the document from the printer control panel	No	Automatically after the job is printed or when job retention limit is reached.
<b>Personal Job</b>	The job does not print until you request it at the printer control panel.	Yes (optional)	Automatically after the job is printed or when job retention limit is reached.
<b>Quick Copy</b>	Print the requested number of copies of a job and store a copy of the job in the printer memory so you can print it again later.	No	Manually
<b>Stored Job</b>	Store a job on the printer and allow other users to print the job at any time.	Yes (optional)	Manually

- To use a custom user name or job name, click the **Custom** button, and then enter the user name or the job name.


Select which option to use if another stored job already has that name:

- **Use Job Name + (1-99):** Append a unique number to the end of the job name.
- **Replace Existing File:** Overwrite the existing stored job with the new one.

- Click the **OK** button to close the **Document Properties** dialog box. In the **Print** dialog box, click the **OK** button to print the job.

## Print a stored job


Use the following procedure to print a job that is stored in the product memory.

1. From the Home screen on the product control panel, swipe until the **Jobs** menu displays. Touch the **Jobs**  icon to open the menu.
2. From the **Job Folders** list, select a user name. A list of jobs stored under that user name displays.
3. Select the name of the job. If the job is private or encrypted, enter the PIN or password.
4. To adjust the number of copies, touch **Copies**, enter the number of copies, and then touch **OK**.
5. Touch **Print** to print the job.

## Delete a stored job

When you send a stored job to the printer memory, the printer overwrites any previous jobs with the same user and job name. If the printer memory is full, the printer control panel displays a **No more memory** message and existing stored jobs must be deleted before additional print jobs can be stored.

Use this procedure to delete a job that is stored in the printer memory.

1. From the Home screen on the printer control panel, swipe until the **Jobs** menu displays. Touch the **Jobs**  icon to open the menu.
2. From the **Job Folders** list, select a user name. A list of jobs stored under that user name displays.
3. Select the name of the job. If the job is private or encrypted, enter the PIN or password.
4. Select **Delete**, and then select **OK** to delete the job.

# Mobile printing

## Introduction

HP offers multiple mobile and ePrint solutions to enable easy printing to an HP printer from a laptop, tablet, smartphone, or other mobile device. To see the full list and to determine the best choice, go to [www.hp.com/go/LaserJetMobilePrinting](http://www.hp.com/go/LaserJetMobilePrinting).

- [Wi-Fi Direct and NFC Printing \(wireless models only\)](#)
- [HP ePrint via email](#)
- [HP ePrint software](#)
- [AirPrint](#)
- [Android embedded printing](#)

## Wi-Fi Direct and NFC Printing (wireless models only)

Wi-Fi Direct and NFC (Near Field Communication) printing enable Wi-Fi capable (mobile) devices to make a wireless network connection directly to the printer without using a wireless router.

Wi-Fi Direct and NFC enable printing from a wireless mobile device without requiring a connection to a network or the Internet. NFC capabilities enable easy one-to-one print connection for mobile devices using device-to-device touch.



**NOTE:** Not all mobile operating systems are currently supported by Wi-Fi Direct and NFC.

Use **Wi-Fi Direct** to print wirelessly from the following devices:


- Android mobile devices compatible with the Android embedded print solution

For more information on Wi-Fi Direct printing, go to [www.hp.com/go/wirelessprinting](http://www.hp.com/go/wirelessprinting).




NFC and Wi-Fi Direct capabilities can be enabled or disabled from the printer's control panel.

### Enable or disable Wi-Fi Direct

Wi-Fi Direct capabilities must be enabled first from the printer control panel.

1. From the Home screen on the printer control panel, select the Connection Information  button.
2. Open the following menus:
  - [Wi-Fi Direct](#)
  - [Settings](#)
  - [On/Off](#)
3. Touch the [On](#) menu item. Touching the [Off](#) button disables Wi-Fi Direct printing.





---

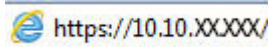
 **NOTE:** In environments where more than one model of the same printer is installed, it might be helpful to provide each printer a unique Wi-Fi Direct name for easier printer identification for Wi-Fi Direct printing. The Wi-Fi Direct Name is also available by touching the Connection Information  /  icon from the Home screen on the printer control panel, and then touching the Wi-Fi Direct icon.

---

Follow this procedure to change the printer Wi-Fi Direct name using the HP Embedded Web Server (EWS):

### Step one: Open the HP Embedded Web Server

1. From the Home screen on the printer control panel, select the Connection Information  /  button, and then touch the **Network Connected**  or the **Network Wi-Fi ON**  button to display the IP address or host name.
2. Open a Web browser, and in the address line, type the IP address or host name exactly as it displays on the printer control panel. Press the **Enter** key on the computer keyboard. The EWS opens.

 <https://10.10.XX.XXX/>

If the Web browser displays a **There is a problem with this website's security certificate** message when attempting to open the EWS, click **Continue to this website (not recommended)**.

---

 **NOTE:** Choosing **Continue to this website (not recommended)** will not harm the computer while navigating within the EWS for the HP printer.

---


### Step two: Change the Wi-Fi Direct name

1. Click the **Networking** tab.
2. On the left navigation pane, click the **Wi-Fi Direct Setup** link.
3. In the **Wi-Fi Direct Name** field, enter the new name.
4. Click **Apply**.

## HP ePrint via email

Use HP ePrint to print documents by sending them as an email attachment to the printer's email address from any email-enabled device.

---



 **NOTE:** The printer might require a firmware update to use this feature.

---

To use HP ePrint, the printer must meet these requirements:

- The printer must be connected to a wired or wireless network and have Internet access.
- HP Web Services must be enabled on the printer, and the printer must be registered with HP Connected.

Follow this procedure to enable HP Web Services and register with HP Connected:

1. From the Home screen on the printer control panel, touch the Connection Information  /  button.
2. Open the following menus:

- [ePrint](#)
  - [Settings](#)
  - [Enable Web Services](#)
3. Touch the [Print](#) button to read the terms of use agreement. Touch the [OK](#) button to accept the terms of use and enable HP Web Services  
  
The printer enables Web Services, and then prints an information page. The information page contains the printer code that necessary to register the HP printer at HP Connected.
  4. Go to [www.hpconnected.com](http://www.hpconnected.com) to create an HP ePrint account and complete the setup process.

## HP ePrint software

The HP ePrint software makes it easy to print from a Windows or Mac desktop or laptop computer to any HP ePrint-capable printer. This software makes it easy to find HP ePrint-enabled printers that are registered to your HP Connected account. The target HP printer can be located in the office or at locations across the globe.

- **Windows:** After installing the software, open the **Print** option from within your application, and then select **HP ePrint** from the installed printers list. Click the **Properties** button to configure print options.
- **OS X:** After installing the software, select **File, Print**, and then select the arrow next to **PDF** (in the bottom left of the driver screen). Select **HP ePrint**.

For Windows, the HP ePrint software supports TCP/IP printing to local printers on the network (LAN or WAN) and that support UPD PostScript®.


Windows and OS X both support IPP printing to LAN or WAN network-connected printers that support ePCL.

Windows and Mac also both support printing PDF documents to public print locations and printing using HP ePrint via email through the cloud.

Go to [www.hp.com/go/eprintsoftware](http://www.hp.com/go/eprintsoftware) for drivers and information.

---

 **NOTE:** The HP ePrint software is a PDF workflow utility for Mac, and is not technically a print driver.

 **NOTE:** HP ePrint Software does not support USB printing.

---

## AirPrint

Direct printing using Apple's AirPrint is supported for iOS 4.2 or later and from Mac computers running OS X 10.7 Lion and newer. Use AirPrint to print directly to the printer from an iPad, iPhone (3GS or later), or iPod touch (third generation or later) in the following mobile applications:

- Mail
- Photos
- Safari
- iBooks
- Select third-party applications

To use AirPrint, the printer must be connected to the same network (sub-net) as the Apple device. For more information about using AirPrint and about which HP printers are compatible with AirPrint, go to [www.hp.com/go/LaserJetMobilePrinting](http://www.hp.com/go/LaserJetMobilePrinting).



---

**NOTE:** Before using AirPrint with a USB connection, verify the version number. AirPrint versions 1.3 and earlier do not support USB connections.

---

## Android embedded printing

HP's built-in print solution for Android and Kindle enables mobile devices to automatically find and print to HP printers that are either on a network or within wireless range for Wi-Fi Direct printing.

The printer must be connected to the same network (sub-net) as the Android device.

The print solution is built into the supported operating systems, so installing drivers or downloading software is not necessary.

For more information on how to use Android embedded printing and which Android devices are supported, go to [www.hp.com/go/LaserJetMobilePrinting](http://www.hp.com/go/LaserJetMobilePrinting).



# Use walk-up USB printing

## Introduction

This printer features walk-up USB printing, for quickly printing files without sending them from a computer. The printer accepts standard USB flash drives in the USB port. It supports the following types of files:

- .pdf
- .jpg
- .prn and .PRN
- .cht and .CHT
- .pxl
- .pcl and .PCL
- .ps and .PS
- .doc and .docx
- .ppt and .pptx

## Step one: Access USB files on the printer

1. Insert the USB flash drive into the walk-up USB port on the printer.
2. The **USB Flash Drive** menu opens with the following options:
  - [Print Documents](#)
  - [View and Print Photos](#)
  - [Scan to USB Drive](#)

## Step two: Print USB documents

### Option one: Print documents

1. To print a document, select [Print Documents](#).
2. Select the name of the document to print. If the document is stored in a folder, select the folder first, and then select the document to print.
3. When the summary screen opens, the following settings can be adjusted:
  - [Number of Copies](#)
  - [Paper Size](#)
  - [Paper Type](#)
  - [Fit to Page](#)
  - [Collation](#)
  - [Output Color](#) (color models only)

4. Select **Print** to print the document.
5. Retrieve the printed job from the output bin, and remove the USB flash drive.

### **Option two: Print photos**

1. To print photos, select **View and Print Photos**.
2. Select the preview image of each photo to be printed, and then select **Done**.
3. When the summary screen opens, the following settings can be adjusted:
  - **Image Size**
  - **Paper Size**
  - **Paper Type**
  - **Number of Copies**
  - **Output Color** (color printers only)
  - **Lighter/Darker**
4. Select **Print** to print the photos.
5. Retrieve the printed job from the output bin, and remove the USB flash drive.

---

# 5 Copy

- [Make a copy](#)
- [Copy on both sides \(duplex\)](#)
- [Additional copy tasks](#)


## For more information:

The following information is correct at the time of publication. For current information, see [www.hp.com/support/ljM426MFP](http://www.hp.com/support/ljM426MFP), [www.hp.com/support/ljM427MFP](http://www.hp.com/support/ljM427MFP).

HP's all-inclusive help for the printer includes the following information:

- Install and configure
- Learn and use
- Solve problems
- Download software and firmware updates
- Join support forums
- Find warranty and regulatory information


## Make a copy

1. Load the document on the scanner glass according to the indicators on the printer.
2. From the Home screen on the printer control panel, touch the **Copy**  icon.
3. To optimize copy quality for different types of documents, touch the **Settings** button, and then scroll to and touch the **Optimize** button. Swipe the control panel screen to scroll through the options, and then touch an option to select it. The following copy-quality settings are available:
  - **Auto Select:** Use this setting when you are not concerned about the quality of the copy. This is the default setting.
  - **Mixed:** Use this setting for documents that contain a mixture of text and graphics.
  - **Text:** Use this setting for documents that contain mostly text.
  - **Picture:** Use this setting for documents that contain mostly graphics.
4. Touch **Number of Copies**, and then use the touchscreen keypad to adjust the number of copies.
5. Touch the **Start Copy** button to start copying.


## Copy on both sides (duplex)

- [Copy on both sides automatically \(m, fdn, and fdw models only\)](#)
- [Copy on both sides manually](#)

### Copy on both sides automatically (m, fdn, and fdw models only)

1. Load the original documents into the document feeder with the first page facing up, and with the top of the page leading.
2. Adjust the paper guides to fit the size of the document.
3. From the Home screen on the printer control panel, touch the **Copy**  icon.
4. Touch the **Settings** button.
5. Scroll to and touch the **Two-Sided** button.
6. Swipe through the options, and then touch an option to select it.
7. Touch the **Start Copy** button to start copying.

### Copy on both sides manually

1. Place the document face-down on the scanner glass with the upper-left corner of the page in the upper-left corner of the glass. Close the scanner.
2. From the Home screen on the printer control panel, touch the **Copy**  icon.
3. Touch the **Settings** button.
4. Scroll to and touch the **Two-Sided** button.
5. Swipe through the options, and then touch an option to select it.
6. Touch the **Start Copy** button to start copying.
7. The printer prompts you to load the next original document. Place it on the glass, and then touch the **OK** button.
8. Repeat this process until you have scanned the last page. Touch the **Done** button to finish printing the copies.

## Additional copy tasks

Go to [www.hp.com/support/ljM426MFP](http://www.hp.com/support/ljM426MFP), [www.hp.com/support/ljM427MFP](http://www.hp.com/support/ljM427MFP).

Instructions are available for performing specific copy tasks, such as the following:

- Copy or scan pages from books or other bound documents
- Copy mixed-size documents
- Copy or scan both sides of an identification card
- Copy or scan a document into a booklet format

---

# 6 Scan

- [Scan by using the HP Scan software \(Windows\)](#)
- [Scan by using the HP Scan software \(OS X\)](#)
- [Scan to a USB flash drive](#)
- [Set up the Scan to Network Folder feature](#)
- [Scan to a network folder](#)
- [Set up the Scan to E-mail feature](#)
- [Scan to email](#)
- [Additional scan tasks](#)

## For more information:

The following information is correct at the time of publication. For current information, see [www.hp.com/support/ljM426MFP](http://www.hp.com/support/ljM426MFP), [www.hp.com/support/ljM427MFP](http://www.hp.com/support/ljM427MFP).

HP's all-inclusive help for the printer includes the following information:

- Install and configure
- Learn and use
- Solve problems
- Download software and firmware updates
- Join support forums
- Find warranty and regulatory information

## Scan by using the HP Scan software (Windows)

Use the HP Scan software to initiate scanning from software on your computer. You can save the scanned image as a file or send it to another software application.

1. Load the document in the document feeder or on the scanner glass according to the indicators on the printer.
2. From the computer, click **Start**, and then click **Programs** (or **All Programs** in Windows XP).
3. Click **HP**, and then select your printer.
4. Click **HP Scan**, select a scanning shortcut, and then adjust the settings if necessary.
5. Click **Scan**.



**NOTE:** Click **More** to gain access to more options.

Click **Create New Scan Shortcut** to create a customized set of settings and save it in the list of shortcuts.

---



## Scan by using the HP Scan software (OS X)

Use the HP Scan software to initiate scanning from software on your computer.

1. Load the document in the document feeder or on the scanner glass according to the indicators on the printer.
2. From the computer, open **HP Scan**, which is located in the **Hewlett-Packard** folder inside the **Applications** folder.
3. Follow the on-screen instructions to scan the document.
4. When you have scanned all the pages, click **File** and then **Save** to save them to a file.

## Scan to a USB flash drive

1. Load the document on the scanner glass or into the document feeder according to the indicators on the printer.
2. Insert a USB flash drive into the walk-up USB port.
3. The **USB Flash Drive** menu opens with the following options:
  - **Print Documents**
  - **View and Print Photos**
  - **Scan to USB Drive**
4. Select **Scan to USB Drive**.
5. When the summary screen opens, the following settings can be adjusted:
  - **Scan File Type**
  - **Scan Resolution**
  - **Scan Paper Size**
  - **Scan Source**
  - **File Name Prefix**
  - **Output Color**
6. Touch the **Scan** button to scan and save the file.

The printer creates a folder named **HPSCANS** on the USB drive, and it saves the file in .PDF or .JPG format using an automatically generated file name.

# Set up the Scan to Network Folder feature

- [Introduction](#)
- [Before you begin](#)
- [Method one: Use the Scan to Network Folder Wizard \(Windows\)](#)
- [Method two: Set up the Scan to Network Folder feature via the HP Embedded Web Server \(Windows\)](#)
- [Set up the Scan to Network Folder feature on a Mac](#)

## Introduction

The printer has a feature that enables it to scan a document and save it to a network folder. To use this scan feature, the printer must be connected to a network; however, the feature is not available until it has been configured. There are two methods for configuring Scan to network folder, the Scan to Network Folder Wizard (Windows), which is installed in the HP program group for the printer as part of the full software installation in Windows 7, and the Network Folder Setup through the HP Embedded Web Server (EWS). Use the following information to set up the Scan to Network Folder feature.

## Before you begin

To set up the Scan to Network Folder feature, the printer must have an active network connection to the same network as the computer that will run the setup process.

Administrators need the following information before beginning the configuration process.

- Administrative access to the printer
- The network path of the destination folder (e.g., \\servername.us.companyname.net\scans)



**NOTE:** The network folder must be set up as a shared folder for the Scan to Network Folder feature to work.

## Method one: Use the Scan to Network Folder Wizard (Windows)

Some HP printers include driver installation from a software CD. At the end of this installation is an option to **Setup Scan to Folder and Email**. The setup wizards include the options for basic configuration.



**NOTE:** The Scan to Network Folder Wizard is only available in the Windows 7 operating system.

1. Click **Start**, and then click **Programs**.
2. Click **HP**, click the name of the printer, and then click **Scan to Network Folder Wizard**.



**NOTE:** If the **Scan to Network Folder Wizard** option is not available, use [Method two: Set up the Scan to Network Folder feature via the HP Embedded Web Server \(Windows\) on page 65](#)

3. In the **Network Folder Profiles** dialog, click the **New** button. The **Scan to Network Folder Setup** dialog opens.
4. On the **1. Start** page, enter the folder name in the **Display Name** field. This is the name that will display on the printer control panel.
5. Complete the **Destination Folder** field in one of the following ways:

- a. Enter the file path manually.
- b. Click the **Browse** button and navigate to the folder location.
- c. Complete the following task to create a shared folder:
  - i. Click **Share Path**.
  - ii. In the **Manage Network Shares** dialog, click **New**.
  - iii. In the **Share Name** field, enter the name to display for the shared folder.
  - iv. To complete the Folder Path field, click the **Browse** button, and then select one of the following options. Click **OK** when done.
    - Navigate to an existing folder on the computer.
    - Click **Make New Folder** to create a new folder.
  - v. If the shared path needs a description, enter a description in the **Description** field.
  - vi. In the **Share Type** field, select one of the following options, and then click **Apply**.
    - **Public**
    - **Private**




---

**NOTE:** For security considerations, HP recommends selecting **Private** as the share type.

- vii. When a **The share was successfully created** message displays, click **OK**.
  - viii. Select the check box for the destination folder, and then click **OK**.
6. To create a shortcut to the network folder on the computer desktop, select the **Create a Desktop shortcut to the network folder** check box
  7. To require a PIN to be entered on the printer control panel before the printer can send a scanned document to a network folder, enter a 4-digit PIN in the **Security PIN** field, and then re-enter the PIN in the **Confirm Security PIN** field. Click **Next**.




---

**NOTE:** HP recommends creating a PIN to secure the destination folder.





---

**NOTE:** When a PIN is created, it must be entered on the printer control panel each time a scan is sent to the network folder.

8. On the **2. Authenticate** page, enter the Windows **User Name** and Windows **Password** used to log in to the computer, and then click **Next**.
9. On the **3. Configure** page, select the default scan settings by completing the following task, and then click **Next**.
  - a. From the **Document Type** drop-down, select the default file format for scanned files.
  - b. From the **Color Preference** drop-down, select Black & White or Color.
  - c. From the **Paper Size** drop-down, select the default paper size for scanned files.
  - d. From the **Quality Settings** drop-down, select the default resolution for scanned files.

---

 **NOTE:** Higher resolution images have more dots per inch (dpi), so they show more detail. Lower resolution images have fewer dots per inch and show less detail, but the file size is smaller.



---


- e. In the **Filename Prefix** field, enter a file name prefix (e.g., MyScan).
10. On the **4. Finish** page, review the information and verify all the settings are correct. If there is an error, click the **Back** button to correct the error. If the settings are correct, click the **Save and Test** button to test the configuration.
11. When the **Congratulations** message displays, click **Finish** to complete the configuration.

## Method two: Set up the Scan to Network Folder feature via the HP Embedded Web Server (Windows)

- [Step one: Access the HP Embedded Web Server \(EWS\)](#)
- [Step two: Configure the Scan to Network Folder feature](#)

### Step one: Access the HP Embedded Web Server (EWS)

1. From the Home screen on the printer control panel, touch the Network  button or the Wireless  button to display the IP address or host name.
2. Open a Web browser, and in the address line, type the IP address or host name exactly as it displays on the printer control panel. Press the **Enter** key on the computer keyboard. The EWS opens.

 <https://10.10.XX.XX/>

If the Web browser displays a **There is a problem with this website's security certificate** message when attempting to open the EWS, click **Continue to this website (not recommended)**.

---

 **NOTE:** Choosing **Continue to this website (not recommended)** will not harm the computer while navigating within the EWS for the HP printer.


---


### Step two: Configure the Scan to Network Folder feature

1. Click the **System** tab.
2. On the left navigation pane, click the **Administration** link.
3. In the Enabled Features area, set the **Scan to Network Folder** option to **On**.
4. Click the **Scan** tab.
5. On the left navigation pane, make sure that the **Network Folder Setup** link is highlighted. the **Scan to Network Folder** page should be displayed.
6. On the **Network Folder Configuration** page, click the **New** button.
7. In the **Network Folder Information** area, complete the following fields:
  - a. In the **Display Name** field, enter the name to display for the folder.
  - b. In the **Network Path** field, enter the network path to the folder.
  - c. In the **Username** field, enter the user name needed to access the folder on the network.
  - d. In the **Password** field, enter the password needed to access the folder on the network.

8. To require a PIN to be entered on the printer control panel before the printer can send a file to a network folder, complete the following fields in the **Secure the Folder Access with a PIN** area:
  - a. In the **PIN (Optional)** field, enter a four digit PIN.
  - b. In the **Confirm PIN** field, re-enter the four digit PIN.

---


 **NOTE:** HP recommends creating a PIN to secure the destination folder.

 **NOTE:** When a PIN is created, it must be entered on the printer control panel each time a scan is sent to the network folder.

---

9. In the **Scan Settings** area, complete the following fields:
  - a. From the **Scan File Type** drop-down, select the default file format scanned files.
  - b. From the **Scan Paper Size** drop-down, select the default paper size for scanned files.
  - c. From the **Scan Resolution** drop-down, select the default scan resolution for scanned files.

---

 **NOTE:** Higher resolution images have more dots per inch (dpi), so they show more detail. Lower resolution images have fewer dots per inch and show less detail, but the file size is smaller.

---

- d. In the **Output Color** drop-down, select whether scanned files will be in black and white or in color.
  - e. In the **File Name Prefix** field, enter a file name prefix (e.g., MyScan).
10. Review all the information, and then click one of the following options:
  - **Save and Test:** Select this option to save the information and test the connection.
  - **Save Only:** Select this option to save the information without testing the connection.
  - **Cancel:** Select this option to quit the configuration without saving.



## Set up the Scan to Network Folder feature on a Mac

- [Step one: Access the HP Embedded Web Server \(EWS\)](#)
- [Step two: Configure the Scan to Network Folder feature](#)

### Step one: Access the HP Embedded Web Server (EWS)

Use one of the following methods to open the Embedded Web Server (EWS) interface.

#### Method one: Use a Web browser to open the HP Embedded Web Server (EWS)

1. From the Home screen on the printer control panel, touch the Network  button or the Wireless  button to display the IP address or host name.

2. Open a Web browser, and in the address line, type the IP address or host name exactly as it displays on the printer control panel. Press the **Enter** key on the computer keyboard. The EWS opens.

`https://10.10.XX.XXX/`

If the Web browser displays a **There is a problem with this website's security certificate** message when attempting to open the EWS, click **Continue to this website (not recommended)**.



**NOTE:** Choosing **Continue to this website (not recommended)** will not harm the computer while navigating within the EWS for the HP printer.

### Method two: Use the HP Utility to open the HP Embedded Web Server (EWS)

1. From the **Go** menu, click **Utilities**, click the **Hewlett-Packard** folder, and then double-click **HP Utility**. The main HP Utility screen displays.
2. In the main HP Utility screen, access the HP Embedded Web Server (EWS) in one of the following ways:
  - In the **Printer Settings** area, click **Additional Settings** and then click **Open Embedded Web Server**.
  - In the **Scan Settings** area, click **Scan to Network Folder**, and then click **Register My Shared Folder....**




**NOTE:** If you do not have a shared network folder available, click **Help Me Do This** to create the folder.


The HP Embedded Web Server (EWS) opens.

### Step two: Configure the Scan to Network Folder feature

1. Click the **System** tab.
2. On the left navigation pane, click the **Administration** link.
3. In the Enabled Features area, set the **Scan to Network Folder** option to **On**.
4. Click the **Scan** tab.
5. On the left navigation pane, make sure that the **Network Folder Setup** link is highlighted. the **Scan to Network Folder** page should be displayed.
6. On the **Network Folder Configuration** page, click the **New** button.
7. In the **Network Folder Information** area, complete the following fields:
  - a. In the **Display Name** field, enter the name to display for the folder.
  - b. In the **Network Path** field, enter the network path to the folder.
  - c. In the **Username** field, enter the user name needed to access the folder on the network.
  - d. In the **Password** field, enter the password needed to access the folder on the network.
8. To require a PIN to be entered on the printer control panel before the printer can send a file to a network folder, complete the following fields in the **Secure the Folder Access with a PIN** area:
  - a. In the **PIN (Optional)** field, enter a four digit PIN.
  - b. In the **Confirm PIN** field, re-enter the four digit PIN.

---

 **NOTE:** HP recommends creating a PIN to secure the destination folder.


 **NOTE:** When a PIN is created, it must be entered on the printer control panel each time a scan is sent to the network folder.

---

9. In the **Scan Settings** area, complete the following fields:

- a. From the **Scan File Type** drop-down, select the default file format scanned files.
- b. From the **Scan Paper Size** drop-down, select the default paper size for scanned files.
- c. From the **Scan Resolution** drop-down, select the default scan resolution for scanned files.

---

 **NOTE:** Higher resolution images have more dots per inch (dpi), so they show more detail. Lower resolution images have fewer dots per inch and show less detail, but the file size is smaller.

---

- d. In the **Output Color** drop-down, select whether scanned files will be in black and white or in color.
- e. In the **File Name Prefix** field, enter a file name prefix (e.g., MyScan).

10. Review all the information, and then click one of the following options:

- **Save and Test:** Select this option to save the information and test the connection.
- **Save Only:** Select this option to save the information without testing the connection.
- **Cancel:** Select this option to quit the configuration without saving.




# Scan to a network folder

Use the printer control panel to scan a document and save it to a folder on the network.



**NOTE:** In order to use this feature, the printer must be connected to a network and the Scan to Network Folder feature must be configured by using the Scan to Network Folder Setup Wizard (Windows) or the HP Embedded Web Server.

1. Load the document on the scanner glass according to the indicators on the printer.
2. From the Home screen on the printer control panel, touch the **Scan**  icon.
3. Touch the **Scan to Network Folder** item.
4. In the list of network folders, select the folder to which you want to save the document.
5. The control panel screen displays the scan settings.
  - If you want to change any of the settings, touch the **Settings** button, and then change the settings.
  - If the settings are correct, go to the next step.
6. Touch the **Scan** button to start the scan job.

# Set up the Scan to E-mail feature

- [Introduction](#)
- [Before you begin](#)
- [Method one: Use the Scan to Email Wizard \(Windows\)](#)
- [Method two: Set up the Scan to Email feature via the HP Embedded Web Server \(Windows\)](#)
- [Set up the Scan to E-mail feature on a Mac](#)

## Introduction

The printer has a feature that enables it to scan a document and send it to one or more email addresses. To use this scan feature, the printer must be connected to a network; however, the feature is not available until it has been configured. There are two methods for configuring Scan to Email, the Scan to Email Setup Wizard (Windows), which is installed in the HP program group for the printer as part of the full software installation in Windows 7, and the Scan to Email Setup through the HP Embedded Web Server (EWS). Use the following information to set up the Scan to Email feature.


## Before you begin

To set up the Scan to Email feature, the printer must have an active network connection to the same network as the computer that will run the setup process.

Administrators need the following information before beginning the configuration process.

- Administrative access to the printer
- SMTP server (e.g., smtp.mycompany.com)


---

 **NOTE:** If you do not know the SMTP server name, SMTP port number, or authentication information, contact the email/Internet service provider or system administrator for the information. SMTP server names and port names are typically easy to find by doing an Internet search. For example, use terms like "gmail smtp server name" or "yahoo smtp server name" to search.

---

- SMTP port number
- SMTP server authentication requirements for outgoing email messages, including the user name and password used for authentication, if applicable.

---


 **NOTE:** Consult your email service provider's documentation for information on digital sending limits for your email account. Some providers may temporarily lock your account if you exceed your sending limit.

---

## Method one: Use the Scan to Email Wizard (Windows)

Some HP printers include driver installation from a software CD. At the end of this installation is an option to **Setup Scan to Folder and Email**. The setup wizards include the options for basic configuration.


---

 **NOTE:** The Scan to Email Wizard is only available in the Windows 7 operating system.

---

1. Click **Start**, and then click **Programs**.
2. Click **HP**, click the name of the printer, and then click **Scan to E-mail Wizard**.


---


 **NOTE:** If the **Scan to E-mail Wizard** option is not available, use [Method two: Set up the Scan to Email feature via the HP Embedded Web Server \(Windows\) on page 71](#)

---

3. In the **Outgoing Email Profiles** dialog, click the **New** button. The **Scan to Email Setup** dialog opens.
4. On the **1. Start** page, enter the sender's email address in the **Email Address** field.
5. In the **Display Name** field, enter the sender's name. This is the name that will display on the printer control panel.
6. To require a PIN to be entered on the printer control panel before the printer can send an email, enter a 4-digit PIN in the **Security PIN** field, and then re-enter the PIN in the **Confirm Security PIN** field, and then click **Next**.

---

 **NOTE:** HP recommends creating a PIN to secure the email profile.


 **NOTE:** When a PIN is created, it must be entered on the printer control panel each time the profile is used to send a scan to email.

---

7. On the **2. Authenticate** page, enter the **SMTP Server** and **Port Number**.

---

 **NOTE:** In most cases, the default port number does not need to be changed.

 **NOTE:** If you are using a hosted SMTP service such as gmail, verify the SMTP address, port number, and SSL settings from the service provider's Web site or other sources. Typically, for gmail, the SMTP address is smtp.gmail.com, port number 465, and the SSL should be enabled.

Please refer to online sources to confirm these server settings are current and valid at the time of configuration.

---

8. If you are using Google™ Gmail for email service, select the **Always use secure connection (SSL/TLS)** check box.
9. Select the **Maximum Size of Email** from the drop-down menu.

---

 **NOTE:** HP recommends using the default file size of **Automatic** for the maximum size.

---



10. If the SMTP server requires authentication to send an email, select the **Email Log-in Authentication** check box, and then enter the **User ID** and **Password**, and then click **Next**.
11. On the **3. Configure** page, to automatically copy the sender on email messages sent from the profile, select **Include sender in all email messages sent out successfully from the printer**, and then click **Next**.
12. On the **4. Finish** page, review the information and verify all the settings are correct. If there is an error, click the **Back** button to correct the error. If the settings are correct, click the **Save and Test** button to test the configuration.
13. When the **Congratulations** message displays, click **Finish** to complete the configuration.


## Method two: Set up the Scan to Email feature via the HP Embedded Web Server (Windows)

- [Step one: Access the HP Embedded Web Server \(EWS\)](#)

- [Step two: Configure the Scan to E-mail feature](#)
- [Step three: Add contacts to the E-mail Address Book](#)
- [Step four: Configure the default E-mail Options](#)

## Step one: Access the HP Embedded Web Server (EWS)

1. From the Home screen on the printer control panel, touch the Network  button or the Wireless  button to display the IP address or host name.
2. Open a Web browser, and in the address line, type the IP address or host name exactly as it displays on the printer control panel. Press the **Enter** key on the computer keyboard. The EWS opens.

 <https://10.10.XX.XXX/>

If the Web browser displays a **There is a problem with this website's security certificate** message when attempting to open the EWS, click **Continue to this website (not recommended)**.

---

 **NOTE:** Choosing **Continue to this website (not recommended)** will not harm the computer while navigating within the EWS for the HP printer.

---


## Step two: Configure the Scan to E-mail feature

1. Click the **System** tab.
2. On the left navigation pane, click the **Administration** link.
3. In the Enabled Features area, set the **Scan to Email** option to **On**.
4. Click the **Scan** tab.
5. On the left navigation pane, click the **Outgoing E-mail Profiles** link.
6. On the **Outgoing E-mail Profiles** page, click the **New** button.
7. In the **E-mail Address** area, complete the following fields:
  - a. In the **Your E-mail Address** field, enter the sender's email address for the new outgoing email profile.
  - b. In the **Display Name** field, enter the sender's name. This is the name that will display on the printer control panel.
8. In the **SMTP Server Settings** area, complete the following fields:

- a. In the **SMTP Server** field, enter the address of the SMTP server.
- b. In the **SMTP Port** field, enter the SMTP port number.

---

 **NOTE:** In most cases, the default port number does not need to be changed.


 **NOTE:** If you are using a hosted SMTP service such as gmail, verify the SMTP address, port number, and SSL settings from the service provider's Web site or other sources. Typically, for gmail, the SMTP address is smtp.gmail.com, port number 465, and the SSL should be enabled.


Please refer to online sources to confirm these server settings are current and valid at the time of configuration.

---

- c. If you are using Google™ Gmail for email service, select the **Always use secure connection (SSL/TLS)** check box.
9. If the SMTP server requires authentication to send an email, complete the following fields in the **SMTP Authentication** area:
- a. Select the **SMTP server requires authentication for outgoing e-mail messages** check box.
  - b. In the **SMTP User ID** field, enter the user ID for the SMTP server.
  - c. In the **SMTP Password** field, enter the password for the SMTP server.
10. To require a PIN to be entered on the printer control panel before an email is sent using the email address, complete the following fields in the **Optional PIN** area:
- a. In the **PIN (Optional)** field, enter a four digit PIN.
  - b. In the **Confirm PIN** field, re-enter the four digit PIN.

---

 **NOTE:** HP recommends creating a PIN to secure the email profile.

 **NOTE:** When a PIN is created, it must be entered on the printer control panel each time the profile is used to send a scan to email.

---

11. To configure optional email preferences, complete the following fields in the **E-mail Message Preferences** area:
- a. From the **Maximum Size for E-mail Message Attachments** drop-down, select the maximum size for email message attachments.

---

 **NOTE:** HP recommends using the default file size of **Automatic** for the maximum size.

---

- b. To automatically copy the sender on email messages sent from the profile, select the **Auto CC** check box.
12. Review all the information, and then click one of the following options:
- **Save and Test:** Select this option to save the information and test the connection.
  - **Save Only:** Select this option to save the information without testing the connection.
  - **Cancel:** Select this option to quit the configuration without saving.

### Step three: Add contacts to the E-mail Address Book

- ▲ In the left navigation pane, click **E-mail Address Book** to add email addresses to the address book accessible from the printer.

To enter an individual email address complete the following task:

- In the **Contact Name** field, enter the name of the new email contact.
- In the **Contact E-mail Address**, enter the email address of the new email contact.
- Click **Add/Edit**.

To create an email group, complete the following task:

- Click **New Group**.
- In the **Enter the group name** field, enter a name for the new group.
- Click a name in the **All Individuals** area, and then click the arrow button to move it to the **Individuals in Group** area.



**NOTE:** Select multiple names at one time by pressing **Ctrl** and then clicking a name.

---

- Click **Save**.

### Step four: Configure the default E-mail Options

- ▲ In the left navigation pane, click **E-mail options** to configure the default email options.
  - In the **Default Subject and Body Text** area, complete the following fields:
    - In the **E-mail Subject** field, enter a default subject line for the email messages.
    - In the **Body Text** field, enter a custom default message for the email messages.
    - Select **Show body text** to enable the default body text to display in emails.
    - Select **Hide body text** to suppress the default body text for an email.
  - In the **Scan Settings** area, complete the following fields:
    - From the **Scan File Type** drop-down, select the default file format for scanned files.
    - From the **Scan Paper Size** drop-down, select the default paper size for scanned files.
    - From the **Scan Resolution** drop-down, select the default resolution for scanned files.



**NOTE:** Higher resolution images have more dots per inch (dpi), so they show more detail. Lower resolution images have fewer dots per inch and show less detail, but the file size is smaller.

---

- From the **Output Color** drop-down, select **Black & White** or **Color**.
  - In the **File Name Prefix** field, enter a file name prefix (e.g., MyScan).
- Click **Apply**.



## Set up the Scan to E-mail feature on a Mac

- [Step one: Access the HP Embedded Web Server \(EWS\)](#)
- [Step two: Configure the Scan to E-mail feature](#)
- [Step three: Add contacts to the E-mail Address Book](#)
- [Step four: Configure the default E-mail Options](#)

### Step one: Access the HP Embedded Web Server (EWS)

Use one of the following methods to open the Embedded Web Server (EWS) interface.

#### Method one: Use a Web browser to open the HP Embedded Web Server (EWS)

1. From the Home screen on the printer control panel, touch the Network  button or the Wireless  button to display the IP address or host name.
2. Open a Web browser, and in the address line, type the IP address or host name exactly as it displays on the printer control panel. Press the **Enter** key on the computer keyboard. The EWS opens.

`https://10.10.XX.XXX/`

If the Web browser displays a **There is a problem with this website's security certificate** message when attempting to open the EWS, click **Continue to this website (not recommended)**.

 **NOTE:** Choosing **Continue to this website (not recommended)** will not harm the computer while navigating within the EWS for the HP printer.

#### Method two: Use the HP Utility to open the HP Embedded Web Server (EWS)

1. From the **Go** menu, click **Utilities**, click the **Hewlett-Packard** folder, and then double-click **HP Utility**. The main HP Utility screen displays.
2. In the main HP Utility screen, access the HP Embedded Web Server (EWS) in one of the following ways:
  - In the **Printer Settings** area, click **Additional Settings** and then click **Open Embedded Web Server**.
  - In the **Scan Settings** area, click **Scan to Email**, and then click **Begin Scan to E-mail Setup...**

The HP Embedded Web Server (EWS) opens.


### Step two: Configure the Scan to E-mail feature

1. Click the **System** tab.
2. On the left navigation pane, click the **Administration** link.
3. In the Enabled Features area, set the **Scan to Email** option to **On**.
4. Click the **Scan** tab.
5. On the left navigation pane, click the **Outgoing E-mail Profiles** link.
6. On the **Outgoing E-mail Profiles** page, click the **New** button.
7. In the **E-mail Address** area, complete the following fields:

- a. In the **Your E-mail Address** field, enter the sender's email address for the new outgoing email profile.
  - b. In the **Display Name** field, enter the sender's name. This is the name that will display on the printer control panel.
8. In the **SMTP Server Settings** area, complete the following fields:
- a. In the **SMTP Server** field, enter the address of the SMTP server.
  - b. In the **SMTP Port** field, enter the SMTP port number.

---

 **NOTE:** In most cases, the default port number does not need to be changed.

 **NOTE:** If you are using a hosted SMTP service such as gmail, verify the SMTP address, port number, and SSL settings from the service provider's Web site or other sources. Typically, for gmail, the SMTP address is smtp.gmail.com, port number 465, and the SSL should be enabled.


Please refer to online sources to confirm these server settings are current and valid at the time of configuration.

---

- c. If you are using Google™ Gmail for email service, select the **Always use secure connection (SSL/TLS)** check box.
9. If the SMTP server requires authentication to send an email, complete the following fields in the **SMTP Authentication** area:
- a. Select the **SMTP server requires authentication for outgoing e-mail messages** check box.
  - b. In the **SMTP User ID** field, enter the user ID for the SMTP server.
  - c. In the **SMTP Password** field, enter the password for the SMTP server.
10. To require a PIN to be entered on the printer control panel before an email is sent using the email address, complete the following fields in the **Optional PIN** area:
- a. In the **PIN (Optional)** field, enter a four digit PIN.
  - b. In the **Confirm PIN** field, re-enter the four digit PIN.

---

 **NOTE:** HP recommends creating a PIN to secure the email profile.

 **NOTE:** When a PIN is created, it must be entered on the printer control panel each time the profile is used to send a scan to email.

---

11. To configure optional email preferences, complete the following fields in the **E-mail Message Preferences** area:
- a. From the **Maximum Size for E-mail Message Attachments** drop-down, select the maximum size for email message attachments.

---

 **NOTE:** HP recommends using the default file size of **Automatic** for the maximum size.

---

- b. To automatically copy the sender on email messages sent from the profile, select the **Auto CC** check box.
12. Review all the information, and then click one of the following options:



- **Save and Test:** Select this option to save the information and test the connection.
- **Save Only:** Select this option to save the information without testing the connection.
- **Cancel:** Select this option to quit the configuration without saving.

### Step three: Add contacts to the E-mail Address Book

- ▲ In the left navigation pane, click **E-mail Address Book** to add email addresses to the address book accessible from the printer.

To enter an individual email address complete the following task:

- In the **Contact Name** field, enter the name of the new email contact.
- In the **Contact E-mail Address**, enter the email address of the new email contact.
- Click **Add/Edit**.

To create an email group, complete the following task:

- Click **New Group**.
- In the **Enter the group name** field, enter a name for the new group.
- Click a name in the **All Individuals** area, and then click the arrow button to move it to the **Individuals in Group** area.




---

**NOTE:** Select multiple names at one time by pressing **Ctrl** and then clicking a name.

---

- Click **Save**.

### Step four: Configure the default E-mail Options

- ▲ In the left navigation pane, click **E-mail options** to configure the default email options.

- In the **Default Subject and Body Text** area, complete the following fields:
  - In the **E-mail Subject** field, enter a default subject line for the email messages.
  - In the **Body Text** field, enter a custom default message for the email messages.
  - Select **Show body text** to enable the default body text to display in emails.
  - Select **Hide body text** to suppress the default body text for an email.
- In the **Scan Settings** area, complete the following fields:
  - From the **Scan File Type** drop-down, select the default file format for scanned files.
  - From the **Scan Paper Size** drop-down, select the default paper size for scanned files.
  - From the **Scan Resolution** drop-down, select the default resolution for scanned files.




---

**NOTE:** Higher resolution images have more dots per inch (dpi), so they show more detail. Lower resolution images have fewer dots per inch and show less detail, but the file size is smaller.

---


- iv. From the **Output Color** drop-down, select **Black & White** or **Color**.
  - v. In the **File Name Prefix** field, enter a file name prefix (e.g., MyScan).
- c. Click **Apply**.

## Scan to email

Use the printer control panel to scan a file directly to an email address. The scanned file is sent to the address as an email message attachment.



**NOTE:** In order to use this feature, the printer must be connected to a network and the Scan to Email feature must be configured by using the Scan to Email Setup Wizard (Windows) or the HP Embedded Web Server.

1. Load the document on the scanner glass according to the indicators on the printer.
2. From the Home screen on the printer control panel, touch the **Scan**  icon.
3. Touch **Scan to E-mail**.
4. Touch **Send an E-mail**.
5. Select the **From** address that you want to use. This is also known as an “outgoing email profile.”



**NOTE:** If the PIN feature has been set up, enter the PIN and touch the **OK** button. However, a PIN is not required to use this feature.

6. Touch the **To** button and pick the address or group to which you want to send the file. Touch the **Done** button when finished.
  - To send the message to a different address, touch the **New** again and enter the email address.
7. Touch the **Subject** button if you would like to add a subject line
8. Touch the **Next** button.
9. The control panel screen displays the scan settings.
  - If you want to change any of the settings, touch the **Settings** button, and then change the settings.
  - If the settings are correct, go to the next step.
10. Touch the **Scan** button to start the scan job.

## Additional scan tasks

Go to [www.hp.com/support/ljM426MFP](http://www.hp.com/support/ljM426MFP), [www.hp.com/support/ljM427MFP](http://www.hp.com/support/ljM427MFP).

Instructions are available for performing specific scan tasks, such as the following:

- How to scan a general photo or document
- How to scan as editable text (OCR)
- How to scan multiple pages into a single file

---

# 7 Fax

- [Set up to send and receive faxes](#)
- [Send a fax](#)
- [Additional fax tasks](#)

## For more information:

The following information is correct at the time of publication. For current information, see [www.hp.com/support/ljM426MFP](http://www.hp.com/support/ljM426MFP), [www.hp.com/support/ljM427MFP](http://www.hp.com/support/ljM427MFP).

HP's all-inclusive help for the printer includes the following information:

- Install and configure
- Learn and use
- Solve problems
- Download software and firmware updates
- Join support forums
- Find warranty and regulatory information


# Set up to send and receive faxes


- [Before starting](#)
- [Step 1: Identify the phone connection type](#)
- [Step 2: Set up the fax](#)
- [Step 3: Configure the fax time, date, and header](#)
- [Step 4: Run a fax test](#)

## Before starting

Make sure that the printer was fully set up before connecting the fax service.

---

 **NOTE:** Use the telephone cable and any adapters that shipped with the printer to connect the printer to the telephone jack.

 **NOTE:** In countries/regions that use serial telephone systems, an adapter is shipped with the printer. Use the adapter to connect other telecom devices to the same telephone jack the printer is connected to.

---

Complete the instructions in each of the following four steps:

[Step 1: Identify the phone connection type on page 82.](#)

[Step 2: Set up the fax on page 83.](#)


[Step 3: Configure the fax time, date, and header on page 86.](#)

[Step 4: Run a fax test on page 88.](#)

## Step 1: Identify the phone connection type

Review the following equipment and service types to determine which setup method to use. The method used depends on the equipment and services already installed on the phone system.

---

 **NOTE:** The printer is an analog device. HP recommends using the printer on a dedicated analog telephone line.

---

- **Dedicated phone line:** The printer is the only piece of equipment or service connected to the phone line
- **Voice calls:** Voice and fax calls use the same phone line
- **Answering machine:** An answering machine answers voice calls on the same phone line used for fax calls
- **Voice mail:** A voice-mail subscription service uses the same phone line as the fax
- **Distinctive ring service:** A service from the telephone company that allows several phone numbers to be associated with one phone line, and each number has a different ring pattern; the printer detects the ring pattern assigned to it and answers the call
- **Computer dial-up modem:** A computer uses the phone line to connect to the Internet through a dial-up connection
- **DSL line:** A digital subscriber line (DSL) service from the telephone company; this service might be called ADSL in some countries/regions

- **PBX or ISDN phone system:** A private branch exchange (PBX) phone system or an integrated services digital network (ISDN) system
- **VoIP phone system:** Voice over Internet protocol (VoIP) through an Internet provider


## Step 2: Set up the fax


Click the link below that best describes the environment in which the printer will be sending and receiving faxes, and follow the setup instructions.


- [Dedicated phone line on page 83](#)
- [Shared voice/fax line on page 84](#)
- [Shared voice/fax line with an answering machine on page 85](#)

Instructions for only three of the connection types are included here. For more information about connecting the printer with other connection types, go to the support Web site [www.hp.com/support/ljM426MFP](http://www.hp.com/support/ljM426MFP), [www.hp.com/support/ljM427MFP](http://www.hp.com/support/ljM427MFP).

---

 **NOTE:** This printer is an analog fax device. HP recommends using the printer on a dedicated analog telephone line. For a digital environment, such as DSL, PBX, ISDN, or VoIP, make sure to use the correct filters and configure the digital settings correctly. For more information, contact the digital service provider.

 **NOTE:** Do not connect more than three devices to the telephone line.

 **NOTE:** Voice mail is not supported with this printer.


---


### Dedicated phone line

Follow these steps to set up the printer on a dedicated phone line with no additional services.

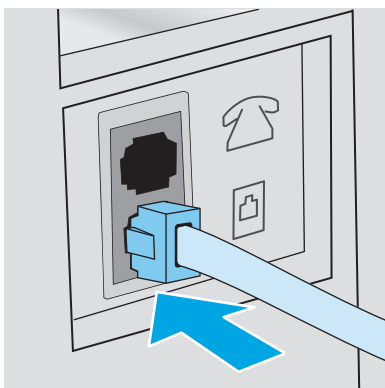
1. Connect the telephone cable to the fax port on the printer and to the telephone jack on the wall.


---

 **NOTE:** Some countries/regions might require an adapter for the telephone cable that came with the printer.

 **NOTE:** On some printers, the fax port might be above the phone port. Refer to the icons on the printer.

---



2. Set the printer to answer fax calls automatically.
  - a. Turn the printer on.
  - b. From the Home screen on the printer control panel, touch the **Setup**  button.


- c. Touch the **Fax Setup** menu.
  - d. Touch the **Basic Setup** menu.
  - e. Touch the **Answer Mode** setting.
  - f. Touch the **Automatic** option.
3. Continue to [Step 3: Configure the fax time, date, and header on page 86](#).

## Shared voice/fax line


Follow these steps to set up the printer on a shared voice/fax line.

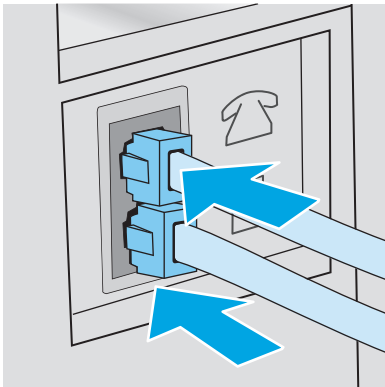
1. Disconnect any devices that are connected to the telephone jack.
2. Connect the telephone cable to the fax port on the printer and to the telephone jack on the wall.


---

 **NOTE:** Some countries/regions might require an adapter to the telephone cable that came with the printer.

---


 **NOTE:** On some printers, the fax port might be above the phone port. Refer to the icons on the printer.



3. Remove the plug from the telephone line out port on the rear of the printer, and then connect a phone to this port.
4. Set the printer to answer fax calls automatically.
  - a. Turn the printer on.
  - b. From the Home screen on the printer control panel, touch the **Setup**  button.
  - c. Touch the **Fax Setup** menu.
  - d. Touch the **Basic Setup** menu.
  - e. Touch the **Answer Mode** setting, and then touch the **Automatic** option.
5. Set the printer to check for a dial tone before sending a fax.

---

 **NOTE:** This prevents the printer from sending a fax while someone is on the telephone.

- a. From the Home screen on the printer control panel, touch the **Setup**  button.
- b. Touch the **Fax Setup** menu.





- c. Touch the [Advanced Setup](#) menu.
  - d. Touch the [Detect Dial Tone](#) setting, and then touch [On](#).
6. Continue to [Step 3: Configure the fax time, date, and header on page 86](#).

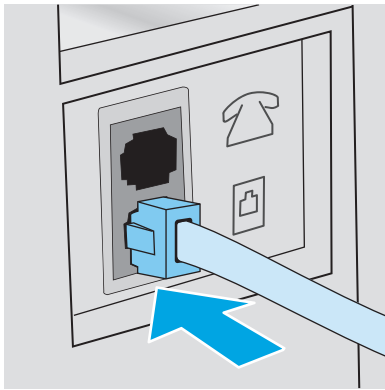
## Shared voice/fax line with an answering machine

Follow these steps to set up the printer on a shared voice/fax line with an answering machine.


1. Disconnect any devices that are connected to the telephone jack.
2. Remove the plug from the telephone line out port on the rear of the printer.
3. Connect the telephone cable to the fax port on the printer and to the telephone jack on the wall.


 **NOTE:** Some countries/regions might require an adapter for the telephone cable that came with the printer.


 **NOTE:** On some printers, the fax port might be above the phone port. Refer to the icons on the printer.

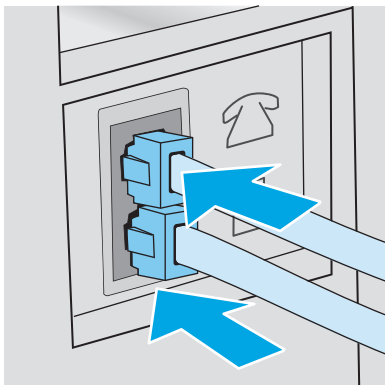






4. Connect the answering machine telephone cable to the telephone line out port on the rear of the printer.

 **NOTE:** Connect the answering machine directly to the printer, or the answering machine might record fax tones from a sending fax machine and the printer might not receive faxes.

 **NOTE:** If the answering machine does not have a built-in telephone, connect a telephone to the **OUT** port on the answering machine for convenience.

 **NOTE:** On some printers, the fax port might be above the phone port. Refer to the icons on the printer.




5. Configure the rings to answer setting on the printer.
  - a. Turn the printer on.
  - b. From the Home screen on the printer control panel, touch the **Setup**  button.
  - c. Touch the **Fax Setup** menu.
  - d. Touch the **Basic Setup** menu.
  - e. Touch the **Rings to Answer** option.
  - f. Use the numeric keypad on the printer control panel to set the number of rings to 5 or more, and then touch the **OK** button.
  - g. Touch the Home  button to return to the main menu.
6. Set the printer to answer fax calls automatically.
  - a. From the Home screen on the printer control panel, touch the **Setup**  button.
  - b. Touch the **Fax Setup** menu.
  - c. Touch the **Basic Setup** menu.
  - d. Touch the **Answer Mode** setting, and then touch the **Automatic** option.
  - e. Touch the Home  button to return to the main menu.
7. Set the printer to check for a dial tone before sending a fax.



---

**NOTE:** This prevents the printer from sending a fax while someone is on the telephone.

---

- a. From the Home screen on the printer control panel, touch the **Setup**  button.
  - b. Touch the **Fax Setup** menu.
  - c. Touch the **Advanced Setup** menu.
  - d. Touch the **Detect Dial Tone** setting, and then touch the **On** button.
8. Continue to [Step 3: Configure the fax time, date, and header on page 86](#).

### Step 3: Configure the fax time, date, and header

Configure the printer fax settings using one of the following methods:

- [HP Fax Setup Wizard on page 87](#) (recommended method)
- [Printer control panel on page 87](#)
- [HP Embedded Web Server \(EWS\) and HP Device Toolbox \(Windows\) on page 87](#) (if the software is installed)



---

**NOTE:** In the United States and many other countries/regions, setting the time, date, and other fax header information is a legal requirement.

---

## HP Fax Setup Wizard

Access the Fax Setup Wizard after *initial* setup and software installation by following these steps.



---


**NOTE:** The Fax Setup Wizard is only available in the Windows 7 operating system.

---

1. Click **Start**, and then click **Programs**.
2. Click **HP**, click the name of the printer, and then click **HP Fax Setup Wizard**.
3. Follow the on-screen instructions in the HP Fax Setup Wizard to configure the fax settings.
4. Continue to [Step 4: Run a fax test on page 88](#).

## Printer control panel

To use the control panel to set the date, time, and header, complete the following steps.

1. From the Home screen, touch the [Setup](#)  button.
2. Touch the [Fax Setup](#) menu.
3. Touch the [Basic Setup](#) menu.
4. Scroll to and touch the [Time/Date](#) button.
5. Select the [12-hour clock](#) or [24-hour clock](#).
6. Use the keypad to enter the current time, and then touch the [OK](#) button.



---

**NOTE:** Touch the [123](#) button to open a keypad that contains special characters, if needed.

---

7. Select the date format.
8. Use the keypad to enter the current date, and then touch the [OK](#) button.
9. Touch the [Fax Header](#) menu.
10. Use the keypad to enter the fax number, and then touch the [OK](#) button.



---

**NOTE:** The maximum number of characters for the fax number is 20.

---

11. Use the keypad to enter the company name or header, and then touch the [OK](#) button.



---

**NOTE:** The maximum number of characters for the fax header is 25.

---

12. Continue to [Step 4: Run a fax test on page 88](#).





## HP Embedded Web Server (EWS) and HP Device Toolbox (Windows)


1. Start the HP EWS either from the **Start** menu or the a Web browser.

### Start menu

- a. Click the **Start** button, and then click the **Programs** item.
- b. Click your HP printer group, and then click the **HP Device Toolbox** item.

## Web browser

- a. From the Home screen on the printer control panel, touch the Connection Information  /  button, and then touch the **Network Connected**  button or the **Network Wi-Fi ON**  button to display the IP address or host name.
- b. Open a Web browser, and in the address line, type the IP address or host name exactly as it displays on the printer control panel. Press the **Enter** key on the computer keyboard. The EWS opens.

 <https://10.10.XX.XXX/>


 **NOTE:** If the Web browser displays a **There is a problem with this website's security certificate** message when attempting to open the EWS, click **Continue to this website (not recommended)**.

**Choosing Continue to this website (not recommended)** will not harm the computer while navigating within the EWS for the HP printer.

2. Click the **Fax** tab.
3. Follow the on-screen instructions to configure the fax settings.
4. Continue to [Step 4: Run a fax test on page 88](#).

## Step 4: Run a fax test

Run a fax test to make sure that the fax is set up correctly.

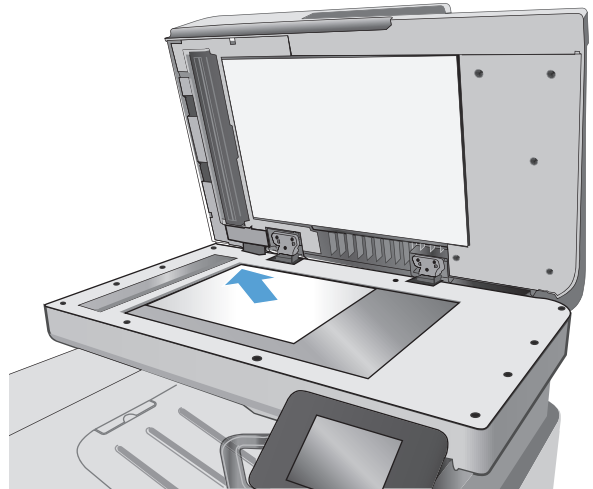
1. From the Home screen, touch the **Setup**  button.
2. Scroll to and touch the **Service** menu.
3. Touch the **Fax Service** menu.
4. Touch the **Run Fax Test** option. The printer prints a test report.
5. Review the report.
  - If the report indicates the printer **passed the test**, the printer is ready to send and receive faxes.
  - If the report indicates the printer **failed the test**, review the report for more information about fixing the problem. The fax troubleshooting checklist has more information on resolving fax problems.


## Send a fax

- [Fax from the flatbed scanner](#)
- [Fax from the document feeder](#)
- [Use speed dials and group-dial entries](#)
- [Send a fax from the software](#)
- [Send a fax from a third-party software program, such as Microsoft Word](#)

### Fax from the flatbed scanner

1. Place the document face-down on the scanner glass.

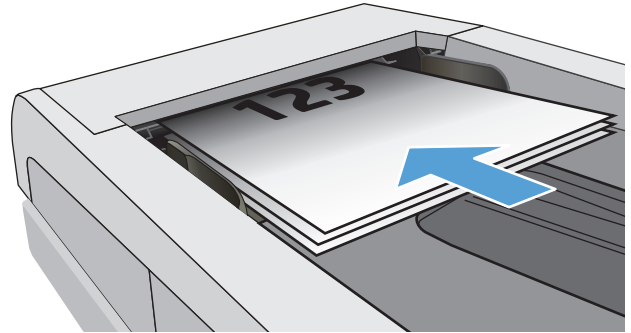


2. From the Home screen on the printer control panel, touch the **Fax**  icon.
3. Use the keypad to enter the fax number.
4. Touch the **Start Fax** button.
5. The printer prompts you to confirm that you are sending from the scanner glass. Touch the **Yes** button.
6. The printer prompts you to load the first page. Touch the **OK** button.
7. The printer scans the first page and then prompts you to load another page. If the document has multiple pages, touch the **Yes** button. Continue this process until you have scanned all the pages.
8. When you have scanned the last page, touch the **No** button at the prompt. The printer sends the fax.

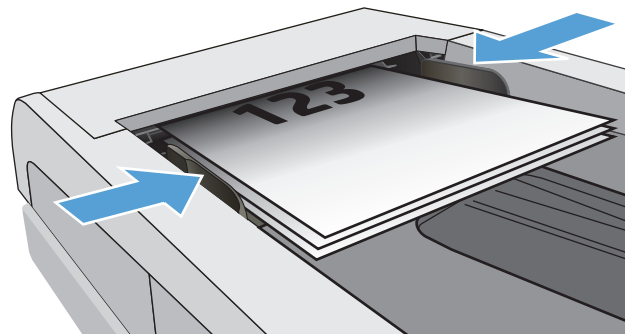
## Fax from the document feeder


1. Insert the originals into the document feeder face-up.

**CAUTION:** To prevent damage to the printer, do not use an original that contains correction tape, correction fluid, paper clips, or staples. Also, do not load photographs, small originals, or fragile originals into the document feeder.



2. Adjust the paper guides until they are snug against the paper.



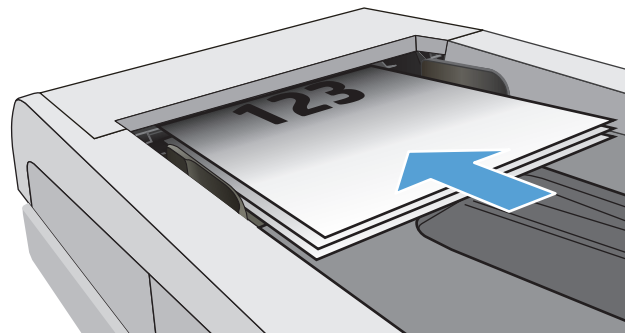
3. From the Home screen on the printer control panel, touch the **Fax**  icon.
4. Use the keypad to enter the fax number.
5. Touch the **Start Fax** button.


## Use speed dials and group-dial entries



**NOTE:** Phone book entries must be set up using the **Fax Menu** prior to using the phone book to send faxes.

1. Load the document onto the scanner glass or into the document feeder.



2. From the Home screen on the printer control panel, touch the **Fax**  icon.
3. On the keypad, touch the fax phone book icon.
4. Touch the name of the individual or group entry that you want to use.
5. Touch the **Start Fax** button.

## Send a fax from the software

The procedure to send a fax varies according to your specifications. The most typical steps follow.

1. Click **Start**, click **Programs** (or **All Programs** in Windows XP), and then click **HP**.
2. Click the printer name, and then click **Send fax**. The fax software opens.
3. Enter the fax number of one or more recipients.
4. Load the document in the document feeder.
5. Click **Send Now**.

## Send a fax from a third-party software program, such as Microsoft Word

1. Open a document in a third-party program.
2. Click the **File** menu, and then click **Print**.
3. Select the fax print driver from the print driver drop-down list. The fax software opens.
4. Enter the fax number of one or more recipients.
5. Include any pages loaded at the printer. This step is optional.
6. Click **Send Now**.

## Additional fax tasks

Go to [www.hp.com/support/ljM426MFP](http://www.hp.com/support/ljM426MFP), [www.hp.com/support/ljM427MFP](http://www.hp.com/support/ljM427MFP).

Instructions are available for performing specific fax tasks, such as the following:

- Create and manage fax speed dial lists
- Configure fax billing codes
- Use a fax printing schedule
- Block incoming faxes
- Fax archiving and forwarding



---

## 8 Manage the printer

- [Use HP Web Services applications](#)
- [Change the printer connection type \(Windows\)](#)
- [Advanced configuration with HP Embedded Web Server \(EWS\) and HP Device Toolbox \(Windows\)](#)
- [Advanced configuration with HP Utility for OS X](#)
- [Configure IP network settings](#)
- [Printer security features](#)
- [Energy-conservation settings](#)
- [HP Web Jetadmin](#)
- [Update the firmware](#)

### For more information:

The following information is correct at the time of publication. For current information, see [www.hp.com/support/ljM426MFP](http://www.hp.com/support/ljM426MFP), [www.hp.com/support/ljM427MFP](http://www.hp.com/support/ljM427MFP).

HP's all-inclusive help for the printer includes the following information:

- Install and configure
- Learn and use
- Solve problems
- Download software and firmware updates
- Join support forums
- Find warranty and regulatory information

## Use HP Web Services applications

HP Web Services applications provide useful content that can be automatically downloaded from the Internet to the printer. Choose from a variety of applications including news, calendars, forms, and cloud-based document storage.

To activate these applications and schedule the downloads, go to the HP Connected Web site at [www.hpconnected.com](http://www.hpconnected.com)




---

**NOTE:** To use this feature, the printer must be connected to a wired or wireless network and have Internet access. HP Web Services must be enabled on the printer.

---

### Enable Web Services

This process enables both HP Web Services and the **Apps**  button.

1. From the Home screen on the printer control panel, swipe until the **Setup** menu displays. Touch the **Setup**  icon to open the menu.
2. Touch **HP Web Services**.
3. Touch **Enable Web Services**.
4. To print the HP Web Services Terms of Use, touch **Print**.
5. Touch **OK** to complete the procedure.

After you download an application from the HP Connected Web site, it is available in the **Apps** menu on the printer control panel.

## Change the printer connection type (Windows)

If you are already using the printer and you wish to change the way it is connected, use the **Reconfigure your HP Device** shortcut on your computer desktop to change the connection. For example, you can reconfigure the printer to use a different wireless address, to connect to a wired or wireless network, or change from a network connection to a USB connection. You can change the configuration without inserting the printer CD. After you select the type of connection you wish to make, the program goes directly to the portion of the printer setup procedure that needs to change.

# Advanced configuration with HP Embedded Web Server (EWS) and HP Device Toolbox (Windows)


Use the HP Embedded Web Server to manage printing functions from a computer instead of the printer control panel.

- View printer status information
- Determine the remaining life for all supplies and order new ones
- View and change tray configurations
- View and change the printer control-panel menu configuration
- View and print internal pages
- Receive notification of printer and supplies events
- View and change network configuration


The HP Embedded Web Server works when the printer is connected to an IP-based network. The HP Embedded Web Server does not support IPX-based printer connections. Internet access is not needed to open and use the HP Embedded Web Server.

When the printer is connected to the network, the HP Embedded Web Server is automatically available.

---

 **NOTE:** HP Device Toolbox is software used to connect to the HP Embedded Web Server when the printer is connected to a computer via USB. It is available only if a full installation was performed when the printer was installed on a computer. Depending on how the printer is connected, some features might not be available.

---




 **NOTE:** The HP Embedded Web Server is not accessible beyond the network firewall.

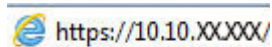
---

## Method one: Open the HP Embedded Web Server (EWS) from the Start menu

1. Click the **Start** button, and then click the **Programs** item.
2. Click the HP printer group, and then click the **HP Device Toolbox** item.

## Method two: Open the HP Embedded Web Server (EWS) from a Web browser

1. From the Home screen on the printer control panel, touch the Connection Information  button, and then touch the **Network Connected**  button or the **Network Wi-Fi ON**  button to display the IP address or host name.
2. Open a Web browser, and in the address line, type the IP address or host name exactly as it displays on the printer control panel. Press the **Enter** key on the computer keyboard. The EWS opens.

 <https://10.10.XX.XXX/>

---

 **NOTE:** If the Web browser displays a **There is a problem with this website's security certificate** message when attempting to open the EWS, click **Continue to this website (not recommended)**.

Choosing **Continue to this website (not recommended)** will not harm the computer while navigating within the EWS for the HP printer.

---

Tab or section	Description
<p><b>Home tab</b></p> <p>Provides printer, status, and configuration information.</p>	<ul style="list-style-type: none"> <li>• <b>Device Status:</b> Shows the printer status and shows the approximate percent life remaining of HP supplies.</li> <li>• <b>Supplies Status:</b> Shows the approximate percent life remaining of HP supplies. Actual supply life remaining can vary. Consider having a replacement supply available to install when print quality is no longer acceptable. The supply does not need to be replaced unless the print quality is no longer acceptable.</li> <li>• <b>Device Configuration:</b> Shows the information found on the printer configuration page.</li> <li>• <b>Network Summary:</b> Shows the information found on the printer network configuration page.</li> <li>• <b>Reports:</b> Print the configuration and supplies status pages that the printer generates.</li> <li>• <b>Job Storage Log:</b> Shows a summary of all jobs stored in the printer memory.</li> <li>• <b>Color Usage Log:</b> Shows a summary of color jobs that the printer has produced. (Color printers only)</li> <li>• <b>Event Log:</b> Shows a list of all printer events and errors.</li> </ul>
<p><b>System tab</b></p> <p>Provides the ability to configure the printer from your computer.</p>	<ul style="list-style-type: none"> <li>• <b>Device Information:</b> Provides basic printer and company information.</li> <li>• <b>Paper Setup:</b> Change the default paper-handling settings for the printer.</li> <li>• <b>Print Quality:</b> Change the default print-quality settings for the printer.</li> <li>• <b>Energy Settings:</b> Change the default times for entering Sleep/Auto Off mode or automatic shut down.</li> <li>• <b>Job Storage Setup:</b> Configure the job storage settings for the printer.</li> <li>• <b>Print Density:</b> Change the print density of contrasts, highlights, midtones, and shadows</li> <li>• <b>Paper Types:</b> Configure print modes that correspond to the paper types that the printer accepts.</li> <li>• <b>System Setup:</b> Change the system defaults for the printer.</li> <li>• <b>Supply Settings:</b> Change the settings for <b>Cartridge is low</b> alerts and other supplies information.</li> <li>• <b>Service:</b> Perform the cleaning procedure on the printer.</li> <li>• <b>Save and Restore:</b> Save the current settings for the printer to a file on the computer. Use this file to load the same settings onto another printer or to restore these settings to this printer at a later time.</li> <li>• <b>Administration:</b> Set or change the printer password. Enable or disable printer features.</li> </ul> <p><b>NOTE:</b> The <b>System</b> tab can be password-protected. If this printer is on a network, always consult with the administrator before changing settings on this tab.</p>
<p><b>Print tab</b></p> <p>Provides the ability to change default print settings from your computer.</p>	<ul style="list-style-type: none"> <li>• <b>Printing:</b> Change the default printer print settings, such as number of copies and paper orientation. These are the same options that are available on the control panel.</li> <li>• <b>PCL5c:</b> View and change the PCL5c settings.</li> <li>• <b>PostScript:</b> Turn off or on the <b>Print PS Errors</b> feature.</li> </ul>

Tab or section	Description
<b>Fax tab</b>  (Fax printers only)	<ul style="list-style-type: none"> <li>• <b>Receive Options:</b> Configure how the printer handles incoming faxes.</li> <li>• <b>Phone Book:</b> Add or delete entries in the fax phone book.</li> <li>• <b>Junk Fax List:</b> Set fax numbers to block from sending faxes to the printer.</li> <li>• <b>Fax Activity Log:</b> Review recent fax activity for the printer.</li> </ul>
<b>Scan tab</b>  (MFP models only)	Configure the <a href="#">Scan to Network Folder</a> and <a href="#">Scan to E-mail</a> features. <ul style="list-style-type: none"> <li>• <b>Network Folder Setup:</b> Configure folders on the network to which the printer can save a scanned file.</li> <li>• <b>Scan to E-mail Setup:</b> Begin the process to set up the <a href="#">Scan to E-mail</a> feature.</li> <li>• <b>Outgoing E-mail Profiles:</b> Set an email address that will appear as the “from” address for all emails sent from the printer.</li> <li>• <b>Default SMTP Configuration:</b> Configure the SMTP Server information.</li> <li>• <b>E-mail Address Book:</b> Add or delete entries in the email address book.</li> <li>• <b>Network Contacts Setup:</b> Configure the printer to connect to a network address book.</li> <li>• <b>E-mail Options:</b> Configure a default subject line and body text. Configure default scan settings for emails.</li> </ul>
<b>Networking tab</b>  (Network-connected printers only)  Provides the ability to change network settings from your computer.	Network administrators can use this tab to control network-related settings for the printer when it is connected to an IP-based network. It also allows the network administrator to set up Wi-Fi Direct functionality. This tab does not appear if the printer is directly connected to a computer.
<b>HP Web Services tab</b>	Use this tab to set up and use various Web tools with the printer.

# Advanced configuration with HP Utility for OS X

Use the HP Utility to check printer status or to view or change printer settings from your computer.

You can use the HP Utility when the printer is connected with a USB cable or is connected to a TCP/IP-based network.

## Open HP Utility

1. At the computer, open the **System Preferences** menu, and then click **Print & Fax**, **Print & Scan**, or **Printers & Scanners**.
2. Select the printer in the list.
3. Click the **Options & Supplies** button.
4. Click the **Utility** tab.
5. Click the **Open Printer Utility** button.

## HP Utility features

The HP Utility toolbar includes these items:

- **Devices:** Click this button to show or hide Mac products found by the HP Utility.
- **All Settings:** Click this button to return to the HP Utility main view.
- **HP Support:** Click this button to open a browser and go to the HP support Web site.
- **Supplies:** Click this button to open the HP SureSupply Web site.
- **Registration:** Click this button to open the HP registration Web site.
- **Recycling:** Click this button to open the HP Planet Partners Recycling Program Web site.

HP Utility consists of pages that you open by clicking in the **All Settings** list. The following table describes the tasks that you can perform with HP Utility.

Item	Description
<b>Supplies Status</b>	Show the printer supplies status and provides links for ordering supplies online.
<b>Device Information</b>	Show information about the currently selected printer, including the printer Service ID (if assigned), the firmware version (FW Version), the Serial Number, and the IP address.
<b>Commands</b>	Send special characters or print commands to the printer after the print job. <b>NOTE:</b> This option is available only after you open the <b>View</b> menu and select the <b>Show Advanced Options</b> item.
<b>Color Usage</b> (Color printers only)	Show information about color jobs that the printer has produced.

Item	Description
<b>File Upload</b>	Transfer files from the computer to the printer. You can upload the following types of files: <ul style="list-style-type: none"> <li>○ HP LaserJet printer command language (.PRN)</li> <li>○ Portable document format (.PDF)</li> <li>○ Postscript (.PS)</li> <li>○ Text (.TXT)</li> </ul>
<b>Power Management</b>	Configure the printer economy settings.
<b>Update Firmware</b>	Transfer a firmware update file to the printer.  <b>NOTE:</b> This option is available only after you open the <b>View</b> menu and select the <b>Show Advanced Options</b> item.
<b>HP Connected</b>	Access the HP Connected Web site.
<b>Upload Fonts</b>	Upload fonts from the computer to the printer.
<b>Message Center</b>	Display error events that have occurred with the printer.
<b>Duplex Mode</b>	Turn on the automatic two-sided printing mode.
<b>Network Settings</b> (Network-connected printers only)	Configure the network settings, such as the IPv4 settings, IPv6 settings, Bonjour settings, and other settings.
<b>Supplies Management</b>	Configure how the printer should behave when supplies are nearing the end of their estimated life.
<b>Trays Configuration</b>	Change paper size and type for each of the trays.
<b>Additional Settings</b>	Open the HP Embedded Web Server (EWS) for the printer.  <b>NOTE:</b> USB connections are not supported.
Proxy Server Settings	Configure a proxy server for the printer.
<b>Basic Fax Settings</b> (MFP fax models only)	Set up the fields in the fax header and configure how the printer answers incoming calls.
<b>Fax Forwarding</b> (MFP fax models only)	Set up the printer to send the incoming faxes to a different number.
<b>Fax Logs</b> (MFP fax models only)	View the logs of all faxes.
<b>Fax Speed Dials</b> (MFP fax models only)	Add fax numbers to the speed dial list.
<b>Junk Fax Blocking</b> (MFP fax models only)	Store the fax numbers you want to block.



---

Item	Description
<b>Scan to E-mail</b> (MFP printers only)	Open the HP Embedded Web Server (EWS) page for configuring settings for scanning to email.
<b>Scan to Network Folder</b> (MFP printers only)	Open the HP Embedded Web Server (EWS) page for configuring settings for scanning to a network folder.

---

# Configure IP network settings

- [Introduction](#)
- [Printer sharing disclaimer](#)
- [View or change network settings](#)
- [Rename the printer on a network](#)
- [Manually configure IPv4 TCP/IP parameters from the control panel](#)
- [Link speed and duplex settings](#)

## Introduction





Use the following sections to configure the printer network settings.

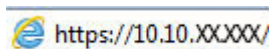
## Printer sharing disclaimer

HP does not support peer-to-peer networking, as the feature is a function of Microsoft operating systems and not of the HP printer drivers. Go to Microsoft at [www.microsoft.com](http://www.microsoft.com).

## View or change network settings

Use the HP Embedded Web Server to view or change IP configuration settings.

1. Open the HP Embedded Web Server (EWS):
  - a. From the Home screen on the printer control panel, touch the Connection Information  /  button, and then touch the **Network Connected**  button or the **Network Wi-Fi ON**  button to display the IP address or host name.
  - b. Open a Web browser, and in the address line, type the IP address or host name exactly as it displays on the printer control panel. Press the **Enter** key on the computer keyboard. The EWS opens.



 **NOTE:** If the Web browser displays a **There is a problem with this website's security certificate** message when attempting to open the EWS, click **Continue to this website (not recommended)**.





Choosing **Continue to this website (not recommended)** will not harm the computer while navigating within the EWS for the HP printer.


2. Click the **Networking** tab to obtain network information. Change settings as needed.

## Rename the printer on a network

To rename the printer on a network so that it can be uniquely identified, use the HP Embedded Web Server.

1. Open the HP Embedded Web Server (EWS):

- a. From the Home screen on the printer control panel, touch the Connection Information  /  button, and then touch the **Network Connected**  button or the **Network Wi-Fi ON**  button to display the IP address or host name.
- b. Open a Web browser, and in the address line, type the IP address or host name exactly as it displays on the printer control panel. Press the **Enter** key on the computer keyboard. The EWS opens.

 <https://10.10.XX.XXX/>

 **NOTE:** If the Web browser displays a **There is a problem with this website's security certificate** message when attempting to open the EWS, click **Continue to this website (not recommended)**.

Choosing **Continue to this website (not recommended)** will not harm the computer while navigating within the EWS for the HP printer.


2. Open the **System** tab.
3. On the **Device Information** page, the default printer name is in the **Device Description** field. You can change this name to uniquely identify this printer.

 **NOTE:** Completing the other fields on this page is optional.

4. Click the **Apply** button to save the changes.

## Manually configure IPv4 TCP/IP parameters from the control panel


Use the control-panel menus to manually set an IPv4 address, subnet mask, and default gateway.


1. From the Home screen on the printer control panel, touch the **Setup**  button.
2. Scroll to and touch the **Network Setup** menu.
3. Touch the **IPv4 Config Method** menu, and then touch the **Manual** button.
4. Use the keypad on the touchscreen to enter the IP address, and touch the **OK** button. Touch the **Yes** button to confirm.
5. Use the keypad on the touchscreen to enter the subnet mask, and touch the **OK** button. Touch the **Yes** button to confirm.
6. Use the keypad on the touchscreen to enter the default gateway, and touch the **OK** button. Touch the **Yes** button to confirm.

## Link speed and duplex settings


 **NOTE:** This information applies only to Ethernet networks. It does not apply to wireless networks.

The link speed and communication mode of the print server must match the network hub. For most situations, leave the printer in automatic mode. Incorrect changes to the link speed and duplex settings might prevent the printer from communicating with other network devices. To make changes, use the printer control panel.

 **NOTE:** The printer setting must match the setting for the network device (a network hub, switch, gateway, router, or computer).

 **NOTE:** Making changes to these settings causes the printer to turn off and then on. Make changes only when the printer is idle.

---

1. From the Home screen on the printer control panel, swipe until the **Setup** menu displays. Touch the **Setup**  icon to open the menu.
2. Open the following menus:
  - **Network Setup**
  - **Link Speed**
3. Select one of the following options:
  - **Automatic:** The print server automatically configures itself for the highest link speed and communication mode allowed on the network.
  - **10T Full:** 10 megabytes per second (Mbps), full-duplex operation
  - **10T Half:** 10 Mbps, half-duplex operation
  - **100TX Full:** 100 Mbps, full-duplex operation
  - **100TX Half:** 100 Mbps, half-duplex operation
  - **1000T Full:** 1000 Mbps, full-duplex operation
4. Touch the **Save** button, or press the **OK** button. The printer turns off and then on.

# Printer security features





## Introduction

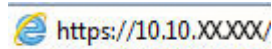
The printer includes several security features to restrict who has access to configuration settings, to secure data, and to prevent access to valuable hardware components.

- [Assign or change the system password using the Embedded Web Server](#)
- [Lock the formatter](#)

## Assign or change the system password using the Embedded Web Server

Assign an administrator password for access to the printer and the HP Embedded Web Server so that unauthorized users cannot change the printer settings.

1. Open the HP Embedded Web Server (EWS):
  - a. From the Home screen on the printer control panel, touch the Connection Information  /  button, and then touch the **Network Connected**  button or the **Network Wi-Fi ON**  button to display the IP address or host name.
  - b. Open a Web browser, and in the address line, type the IP address or host name exactly as it displays on the printer control panel. Press the **Enter** key on the computer keyboard. The EWS opens.



 **NOTE:** If the Web browser displays a **There is a problem with this website's security certificate** message when attempting to open the EWS, click **Continue to this website (not recommended)**.

Choosing **Continue to this website (not recommended)** will not harm the computer while navigating within the EWS for the HP printer.

2. On the **System** tab, click the **Administration** link in the left navigation pane.
3. In the area labeled **Product Security**, enter the password in the **Password** field.
4. Re-enter the password in the **Confirm Password** field.
5. Click the **Apply** button.

 **NOTE:** Make note of the password and store it in a safe place.

## Lock the formatter

The formatter has a slot that you can use to attach a security cable. Locking the formatter prevents someone from removing valuable components from it.

# Energy-conservation settings

- [Introduction](#)
- [Print with EconoMode](#)
- [Set the Sleep/Auto Off After setting](#)
- [Set the Shut Down After delay and configure the printer to use 1 watt or less of power](#)
- [Set the Delay Shut Down setting](#)

## Introduction

The printer includes several economy features to conserve energy and supplies.

## Print with EconoMode

This printer has an EconoMode option for printing drafts of documents. Using EconoMode can use less toner. However, using EconoMode can also reduce print quality.

HP does not recommend the full-time use of EconoMode. If EconoMode is used full-time, the toner supply might outlast the mechanical parts in the toner cartridge. If print quality begins to degrade and is no longer acceptable, consider replacing the toner cartridge.




**NOTE:** If this option is not available in your print driver, you can set it using the HP Embedded Web Server.

1. From the software program, select the **Print** option.
2. Select the printer, and then click the **Properties** or **Preferences** button.
3. Click the **Paper/Quality** tab.
4. Click the **EconoMode** check box.

## Set the Sleep/Auto Off After setting

Use the control panel menus to set the amount of idle time before the printer enters sleep mode.

Complete the following procedure to change the Sleep/Auto Off After setting:

1. From the Home screen on the printer control panel, swipe until the **Setup** menu displays. Touch the **Setup**  icon to open the menu.
2. Open the following menus:
  - [System Setup](#)
  - [Energy Settings](#)
  - [Sleep/Auto Off After](#)
3. Select the time for the Sleep/Auto Off After delay.

## Set the Shut Down After delay and configure the printer to use 1 watt or less of power

Use the control panel menus to set the amount of time before the printer shuts down.




---

**NOTE:** After the printer shuts down, the power consumption is 1 watt or less.

---

Complete the following procedure to change the Shut Down After Delay setting:

1. From the Home screen on the printer control panel, swipe until the **Setup** menu displays. Touch the **Setup**  icon to open the menu.
2. Open the following menus:
  - **System Setup**
  - **Energy Settings**
  - **Shut Down After**
3. Select the time for the Shut Down After delay.



---


**NOTE:** The default value is 4 hours.

---

## Set the Delay Shut Down setting

Use the control panel menus to select whether or not the printer delays shutting down after the power button is pressed.

Complete the following procedure to change the Delay Shut Down setting:

1. From the Home screen on the printer control panel, swipe until the **Setup** menu displays. Touch the **Setup**  icon to open the menu.
2. Open the following menus:
  - **System Setup**
  - **Energy Settings**
  - **Delay Shut Down**
3. Select one of the delay options:
  - **No Delay:** The printer shuts down after a period of inactivity determined by the Shut Down After setting.
  - **When Ports Are Active:** When this option is selected the printer will not shut down unless all ports are inactive. An active network link or fax connection will prevent the printer from shutting down.

## HP Web Jetadmin

HP Web Jetadmin is an award-winning, industry-leading tool for efficiently managing a wide variety of networked HP products, including printers, multifunction printers, and digital senders. This single solution allows you to remotely install, monitor, maintain, troubleshoot, and secure your printing and imaging environment — ultimately increasing business productivity by helping you save time, control costs, and protect your investment.

HP Web Jetadmin upgrades are periodically made available to provide support for specific product features. Go to [www.hp.com/go/webjetadmin](http://www.hp.com/go/webjetadmin) for more information.



# Update the firmware

HP offers periodic printer updates, new Web Services apps, and new features to existing Web Services apps. Follow these steps to update the printer firmware for a single printer. When you update the firmware, Web Service apps will update automatically.

There are two supported methods to perform a firmware update on this printer. Use only one of the following methods to update the printer firmware.

## Method one: Update the firmware using the control panel

Use these steps to load the firmware from the control panel (for network-connected printers only), and/or set the printer to automatically load future firmware updates. For USB-connected printers, skip to method two.


1. Make sure the printer is connected to a wired (Ethernet) or wireless network with an active Internet connection.



---

**NOTE:** The printer must be connected to the internet to update the firmware via a network connection.

---

2. From the Home screen on the printer control panel, touch the **Setup**  button.
3. Scroll to and open the **Service** menu, and then open the **LaserJet Update** menu.



---

**NOTE:** If the **LaserJet Update** option is not listed, use method two.

---

4. Touch **Check for Updates Now** to check for updates.



---

**NOTE:** The printer automatically checks for an update, and if a newer version is detected, the update process automatically starts.

---

5. Set the printer to automatically update the firmware when updates become available.

From the Home screen on the printer control panel, touch the **Setup**  button.

Scroll to and open the **Service** menu, open the **LaserJet Update** menu, and then select the **Manage Updates** menu.

Set the **Allow Updates** option to **YES**, and then set the **Check automatically** option to **ON**.

## Method two: Update the firmware using the Firmware Update Utility

Use these steps to manually download and install the Firmware Update Utility from HP.com.



---

**NOTE:** This method is the only firmware update option available for printers connected to the computer via a USB cable. It also works for printers connected to a network.

---



---

**NOTE:** You must have a print driver installed in order to use this method.

---

1. Go to [www.hp.com/go/support](http://www.hp.com/go/support), click the **Drivers & Software** link, type the printer name in the search field, press the **ENTER** button, and then select the printer from the list of search results.
2. Select the operating system.
3. Under the **Firmware** section, locate the **Firmware Update Utility**.

4. Click **Download**, click **Run**, and then click **Run** again.
5. When the utility launches, select the printer from the drop-down list, and then click **Send Firmware**.



**NOTE:** To print a configuration page to verify the installed firmware version before or after the update process, click **Print Config**.

---

6. Follow the on-screen instructions to complete the installation, and then click the **Exit** button to close the utility.

---

# 9 Solve problems

- [Customer support](#)
- [Control panel help system](#)
- [Restore the factory-set defaults](#)
- [A “Cartridge is low” or “Cartridge is very low” message displays on the printer control panel](#)
- [Printer does not pick up paper or misfeeds](#)
- [Clear paper jams](#)
- [Improve print quality](#)
- [Improve copy and scan image quality](#)
- [Improve fax image quality](#)
- [Solve wired network problems](#)
- [Solve wireless network problems](#)
- [Solve fax problems](#)

## For more information:

The following information is correct at the time of publication. For current information, see [www.hp.com/support/ljM426MFP](http://www.hp.com/support/ljM426MFP), [www.hp.com/support/ljM427MFP](http://www.hp.com/support/ljM427MFP).

HP's all-inclusive help for the printer includes the following information:

- Install and configure
- Learn and use
- Solve problems
- Download software and firmware updates
- Join support forums
- Find warranty and regulatory information

## Customer support

---

Get telephone support for your country/region	Country/region phone numbers are on the flyer that was in the box with the printer or at <a href="http://www.hp.com/support/">www.hp.com/support/</a> .
Have the printer name, serial number, date of purchase, and problem description ready	
Get 24-hour Internet support, and download software utilities and drivers	<a href="http://www.hp.com/support/ljM426MFP">www.hp.com/support/ljM426MFP</a> , <a href="http://www.hp.com/support/ljM427MFP">www.hp.com/support/ljM427MFP</a>
Order additional HP service or maintenance agreements	<a href="http://www.hp.com/go/carepack">www.hp.com/go/carepack</a>
Register the printer	<a href="http://www.register.hp.com">www.register.hp.com</a>

---

## Control panel help system

The printer has a built-in Help system that explains how to use each screen. To open the Help system, touch the Help ? button in the upper-right corner of the screen.



For some screens, the Help opens to a global menu where you can search for specific topics. You can browse through the menu structure by touching the buttons in the menu.

Some Help screens include animations that guide you through procedures, such as clearing jams.

For screens that contain settings for individual jobs, the Help opens to a topic that explains the options for that screen.

If the printer alerts you of an error or warning, touch the Help ? button to open a message that describes the problem. The message also contains instructions to help solve the problem.


## Restore the factory-set defaults

Restoring the factory-set defaults returns all of the printer and network settings to the factory defaults. It will not reset the page count, or tray size. To restore the printer to the factory-default settings, follow these steps.

---

**⚠ CAUTION:** Restoring the factory-set defaults returns all of the settings to the factory defaults, and it also deletes any pages that are stored in the memory.

---

1. From the Home screen on the printer control panel, swipe until the **Setup** menu displays. Touch the **Setup**  icon to open the menu.
2. Scroll to and select the **Service** menu.
3. Scroll to and select **Restore Defaults**, and then touch **OK**.

The printer automatically restarts.

## A “Cartridge is low” or “Cartridge is very low” message displays on the printer control panel


**Cartridge is low:** The printer indicates when a toner cartridge level is low. Actual toner cartridge life remaining may vary. Consider having a replacement available to install when print quality is no longer acceptable. The toner cartridge does not need to be replaced now.

**Cartridge is very low:** The printer indicates when the toner cartridge level is very low. Actual toner cartridge life remaining may vary. Consider having a replacement available to install when print quality is no longer acceptable. The toner cartridge does not need to be replaced now unless the print quality is no longer acceptable.

Once an HP toner cartridge has reached **Very Low**, HP’s Premium Protection Warranty on that toner cartridge has ended.

### Change the “Very Low” settings

You can change the way the printer reacts when supplies reach the Very Low state. You do not have to re-establish these settings when you install a new toner cartridge.

1. From the Home screen on the printer control panel, swipe until the **Setup** menu displays. Touch the **Setup**  icon to open the menu.
2. Open the following menus:
  - **System Setup**
  - **Supply Settings**
  - **Black Cartridge** or **Color Cartridges**
  - **Very Low Setting**
3. Select one of the following options:
  - Select the **Continue** option to set the printer to alert you that the toner cartridge is very low, but to continue printing.
  - Select the **Stop** option to set the printer to stop printing until you replace the toner cartridge.
  - Select the **Prompt** option to set the printer to stop printing and prompt you to replace the toner cartridge. You can acknowledge the prompt and continue printing. A customer configurable option on this printer is "Prompt to Remind Me in 100 pages, 200 pages, 300 pages, 400 pages, or never." This option is provided as a customer convenience and is not an indication these pages will have acceptable print quality.

### For printers with fax capability

When the printer is set to the **Stop** or **Prompt** option, there is some risk that faxes will not print when the printer resumes printing. This can occur if the printer has received more faxes than the memory can hold while the printer is waiting.

The printer can print faxes without interruption when it passes the Very Low threshold if you select the **Continue** option for the toner cartridge, but print quality might degrade.

## Order supplies

---

Order supplies and paper	<a href="http://www.hp.com/go/suresupply">www.hp.com/go/suresupply</a>
Order through service or support providers	Contact an HP-authorized service or support provider.
Order using the HP Embedded Web Server (EWS)	To access, in a supported Web browser on your computer, enter the printer IP address or host name in the address/URL field. The EWS contains a link to the HP SureSupply Web site, which provides options for purchasing Original HP supplies.

---



# Printer does not pick up paper or misfeeds

## Introduction

The following solutions can help solve problems if the printer is not picking up paper from the tray or is picking up multiple sheets of paper at one time. Either of these situations can result in paper jams.


- [The printer does not pick up paper](#)
- [The printer picks up multiple sheets of paper](#)
- [The document feeder jams, skews, or picks up multiple sheets of paper](#)
- [Clean the pickup rollers and separation pad in the document feeder](#)

## The printer does not pick up paper

If the printer does not pick up paper from the tray, try these solutions.

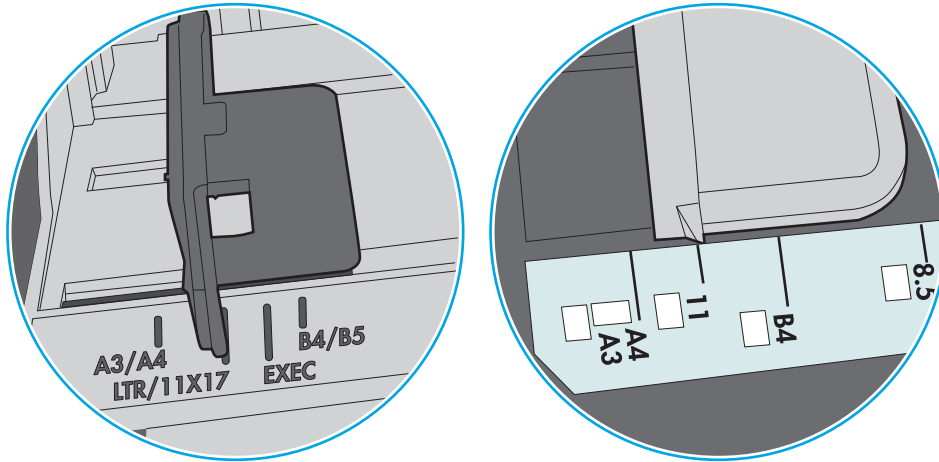
1. Open the printer and remove any jammed sheets of paper. Verify that no torn remnants of paper remain inside the printer.
2. Load the tray with the correct size of paper for the job.
3. Make sure the paper size and type are set correctly on the printer control panel.

4. Make sure the paper guides in the tray are adjusted correctly for the size of paper. Adjust the guides to the appropriate indentation in the tray. The arrow on the tray guide should line up exactly with the marking on the tray.

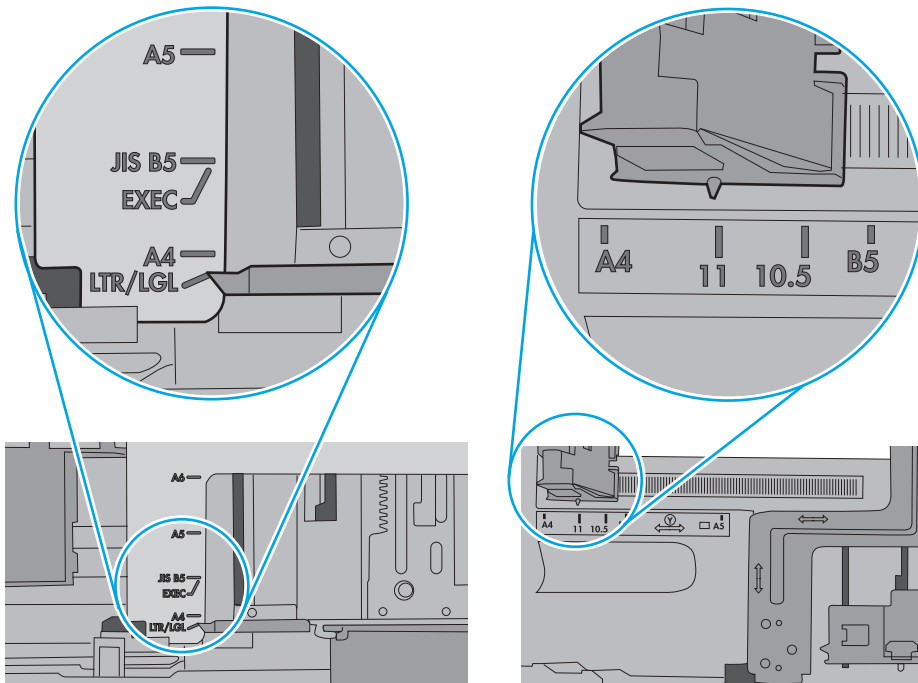
 **NOTE:** Do not adjust the paper guides tightly against the paper stack. Adjust them to the indentations or markings in the tray.

The following images show examples of the paper-size indentations in the trays for various printers. Most HP printers have markings similar to these.

**Figure 9-1** Size markings for Tray 1 or the multipurpose tray



**Figure 9-2** Size markings for cassette trays

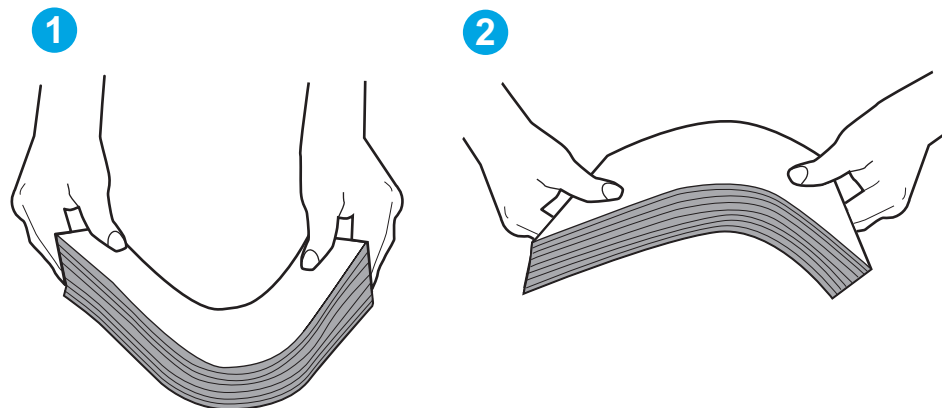


5. Verify that the humidity in the room is within specifications for this printer and that paper is being stored in unopened packages. Most reams of paper are sold in moisture-proof wrapping to keep paper dry.

In high-humidity environments, paper at the top of the stack in the tray can absorb moisture, and it might have a wavy or uneven appearance. If this happens, remove the top 5 to 10 sheets of paper from the stack.

In low-humidity environments, excess static electricity can cause sheets of paper to stick together. If this happens, remove the paper from the tray, and flex the stack by holding it at each end and bringing the ends up to form a U shape. Then, rotate the ends down to reverse the U shape. Next, hold each side of the stack of paper, and repeat this process. This process releases individual sheets without introducing static electricity. Straighten the paper stack against a table before returning it to the tray.

**Figure 9-3** Technique for flexing the paper stack

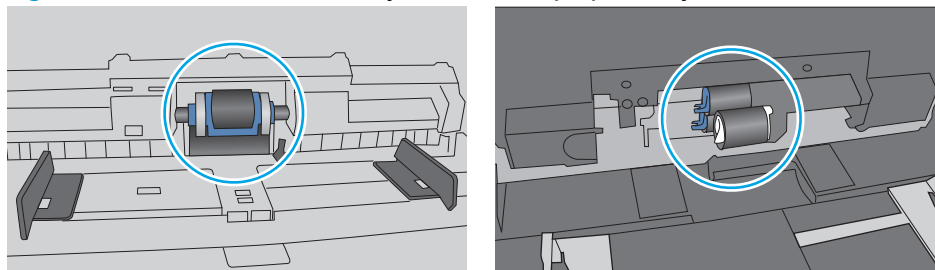


6. Check the printer control panel to see if it is displaying a prompt to feed the paper manually. Load paper, and continue.
7. The rollers above the tray might be contaminated. Clean the rollers with a lint-free cloth dampened with warm water. Use distilled water, if it is available.

**CAUTION:** Do not spray water directly on to the printer. Instead, spray water on the cloth or dab the cloth in water and wring it out before cleaning the rollers.

The following image shows examples of the roller location for various printers.


**Figure 9-4** Roller locations for Tray 1 or the multipurpose tray



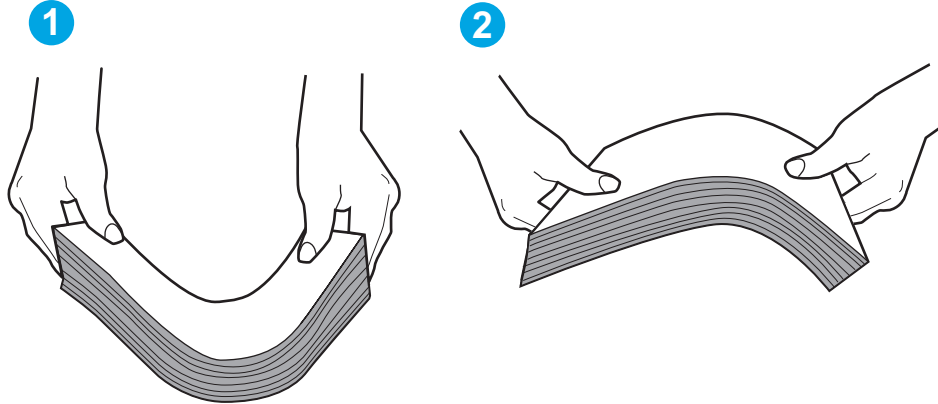
## The printer picks up multiple sheets of paper

If the printer picks up multiple sheets of paper from the tray, try these solutions.

1. Remove the stack of paper from the tray and flex it, rotate it 180 degrees, and flip it over. *Do not fan the paper.* Return the stack of paper to the tray.

 **NOTE:** Fanning the paper introduces static electricity. Instead of fanning the paper, flex the stack by holding it at each end and bringing the ends up to form a U shape. Then, rotate the ends down to reverse the U shape. Next, hold each side of the stack of paper, and repeat this process. This process releases individual sheets without introducing static electricity. Straighten the paper stack against a table before returning it to the tray.

**Figure 9-5** Technique for flexing the paper stack



2. Use only paper that meets HP specifications for this printer.
3. Verify that the humidity in the room is within specifications for this printer, and that paper is being stored in unopened packages. Most reams of paper are sold in moisture-proof wrapping to keep paper dry.

In high-humidity environments, paper at the top of the stack in the tray can absorb moisture, and it might have a wavy or uneven appearance. If this happens, remove the top 5 to 10 sheets of paper from the stack.

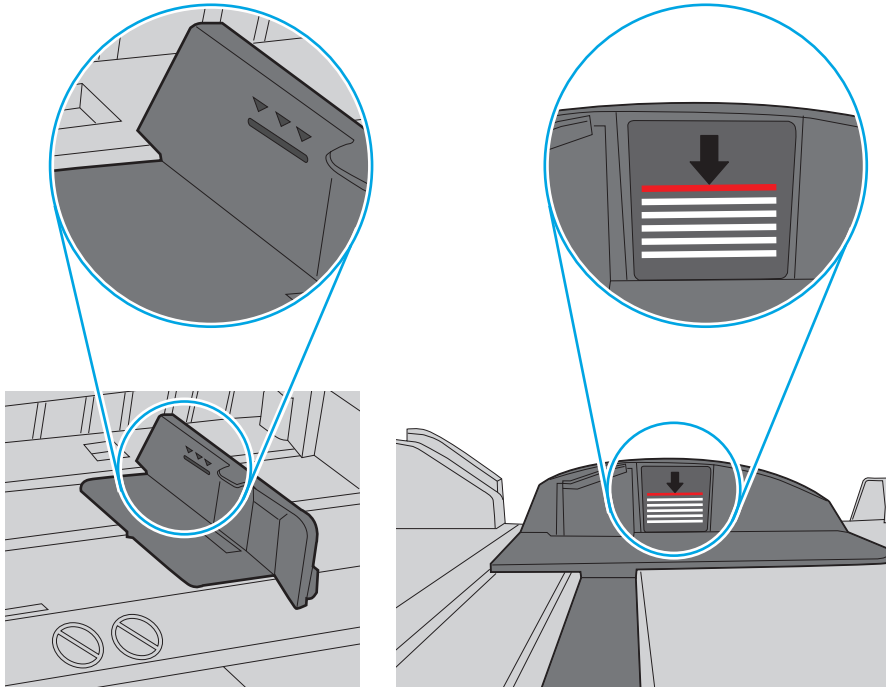
In low-humidity environments, excess static electricity can cause sheets of paper to stick together. If this happens, remove the paper from the tray, and flex the stack as described above.

4. Use paper that is not wrinkled, folded, or damaged. If necessary, use paper from a different package.

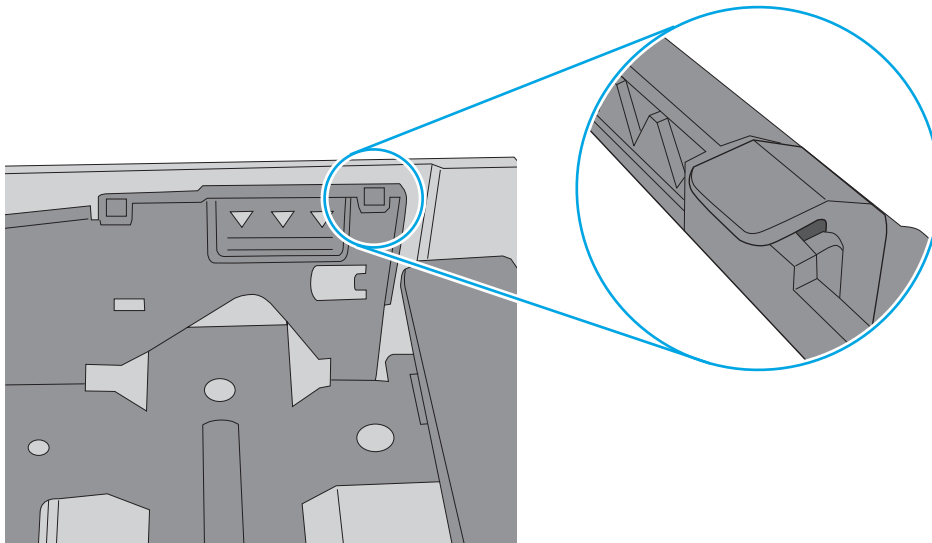
5. Make sure the tray is not overfilled by checking the stack-height markings inside the tray. If it is overfilled, remove the entire stack of paper from the tray, straighten the stack, and then return some of the paper to the tray.

The following images show examples of the stack-height markings in the trays for various printers. Most HP printers have markings similar to these. Also make sure that all sheets of paper are below the tabs near the stack-height marks. These tabs help hold the paper in the correct position as it enters the printer.


**Figure 9-6** Stack-height markings



**Figure 9-7** Tab for the paper stack

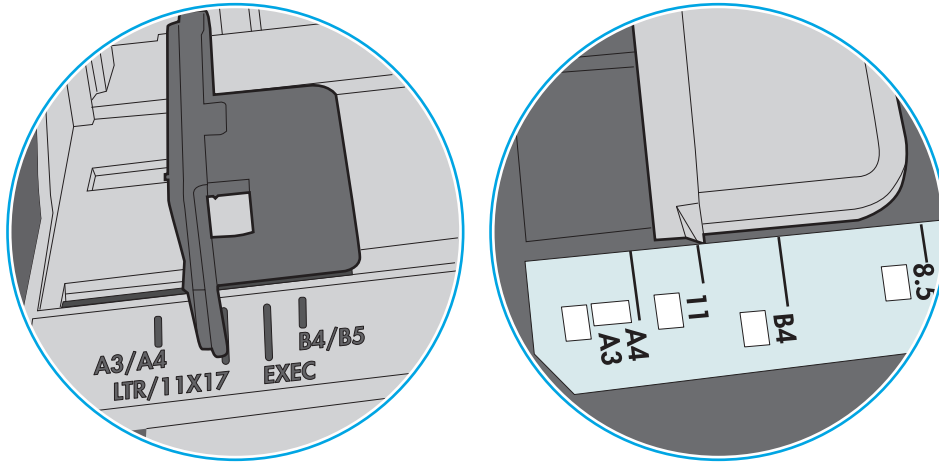


6. Make sure the paper guides in the tray are adjusted correctly for the size of paper. Adjust the guides to the appropriate indentation in the tray. The arrow on the tray guide should line up exactly with the marking on the tray.

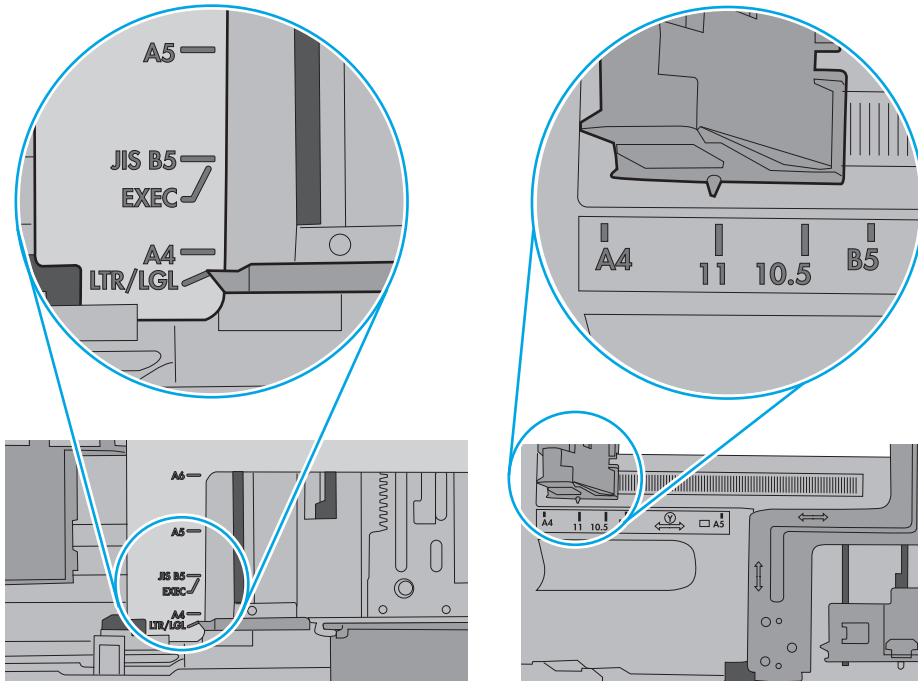
 **NOTE:** Do not adjust the paper guides tightly against the paper stack. Adjust them to the indentations or markings in the tray.

The following images show examples of the paper-size indentations in the trays for various printers. Most HP printers have markings similar to these.

**Figure 9-8** Size markings for Tray 1 or the multipurpose tray




**Figure 9-9** Size markings for cassette trays



7. Make sure the printing environment is within recommended specifications.

## The document feeder jams, skews, or picks up multiple sheets of paper

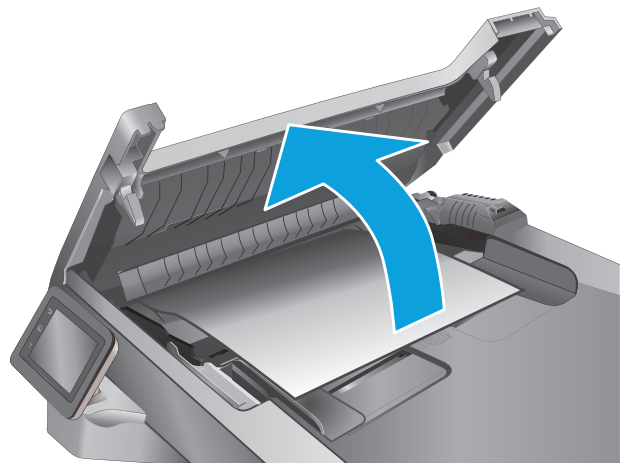
 **NOTE:** This information applies to MFP products only.

- The original might have something on it, such as staples or self-adhesive notes, that must be removed.
- Check that all rollers are in place and that the roller-access cover inside the document feeder is closed.
- Make sure that the top document-feeder cover is closed.
- The pages might not be placed correctly. Straighten the pages and adjust the paper guides to center the stack.
- The paper guides must be touching the sides of the paper stack to work correctly. Make sure that the paper stack is straight and the guides are against the paper stack.
- The document feeder input tray or output bin might contain more than the maximum number of pages. Make sure the paper stack fits below the guides in the input tray, and remove pages from the output bin.
- Verify that there are no pieces of paper, staples, paper clips, or other debris in the paper path.
- Clean the document-feeder rollers and the separation pad. Use compressed air or a clean, lint-free cloth moistened with warm water. If misfeeds still occur, replace the rollers.
- From the Home screen on the product control panel, scroll to and touch the [Supplies](#) button. Check the status of the document-feeder kit, and replace it if necessary.

## Clean the pickup rollers and separation pad in the document feeder

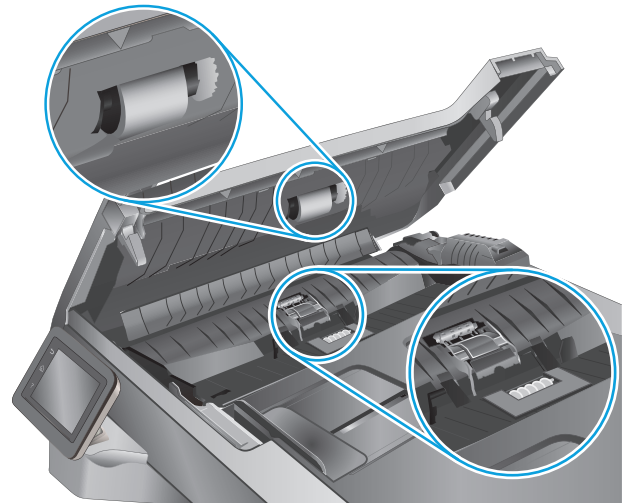
If the document feeder experiences paper-handling problems, such as jams or multiple-page feeds, clean the document-feeder rollers and separation pad.

1. Open the document-feeder cover.

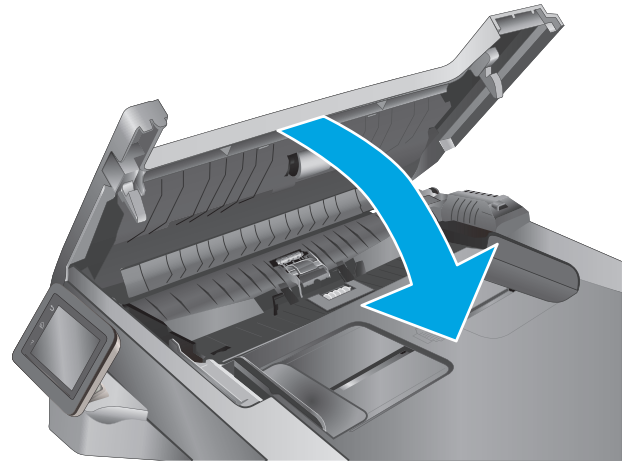


2. Use a moist, lint-free cloth to wipe both pickup rollers and the separation pad to remove dirt.

**CAUTION:** Do not use abrasives, acetone, benzene, ammonia, ethyl alcohol, or carbon tetrachloride on any part of the printer; these can damage the printer. Do not place liquids directly on the glass or platen. They might seep and damage the printer.



3. Close the document-feeder cover.





# Clear paper jams



## Introduction


The following information includes instructions for clearing paper jams from the printer.

- [Experiencing frequent or recurring paper jams?](#)
- [Jam locations](#)
- [Clear paper jams in the document feeder](#)
- [Clear paper jams in Tray 1](#)
- [Clear paper jams in Tray 2](#)
- [Clear paper jams in Tray 3](#)
- [Clear paper jams in the fuser](#)
- [Clear paper jams in the output bin](#)
- [Clear paper jams in the duplexer](#)

## Experiencing frequent or recurring paper jams?

Follow these steps to solve problems with frequent paper jams. If the first step does not resolve the problem continue with the next step until you have resolved the problem.

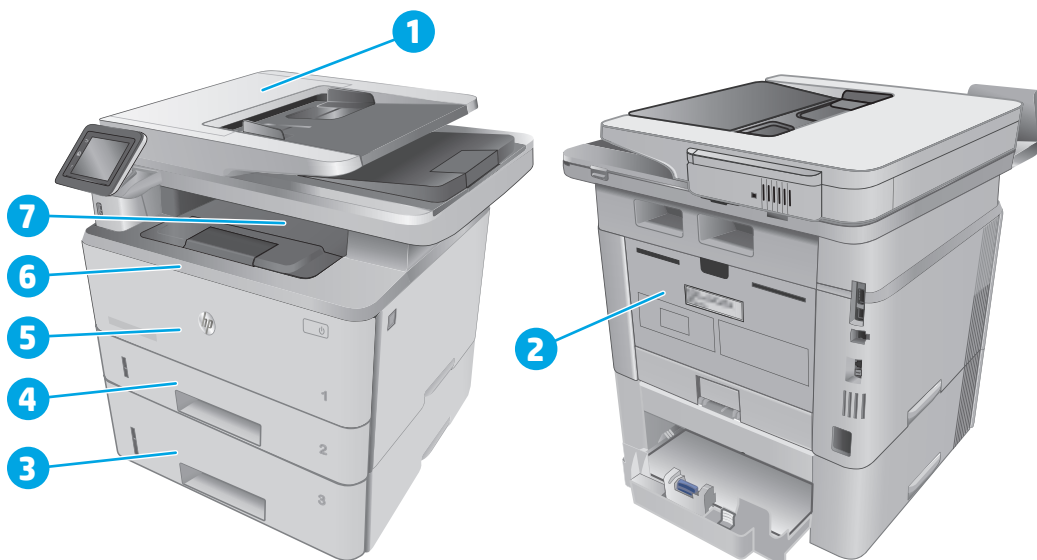
1. If paper has jammed in the product, clear the jam and then print a configuration page to test the product.
2. Check that the tray is configured for the correct paper size and type on the product control panel. Adjust paper settings if necessary.
  - a. From the Home screen on the product control panel, swipe until the **Setup** menu displays. Touch the Setup  icon to open the menu.
  - b. Open the following menus:
    - [System Setup](#)
    - [Paper setup](#)
  - c. Select the tray from the list.
  - d. Select [Paper Type](#) and then select the type of paper that is in the tray.
  - e. Select [Paper Size](#) and then select the size of paper that is in the tray.
3. Turn the product off, wait 30 seconds, and then turn it on again.
4. Print a cleaning page to remove excess toner from inside the product.
  - a. From the Home screen on the product control panel, swipe until the **Setup** menu displays. Touch the Setup  icon to open the menu.
  - b. Touch the [Service](#) menu.

- c. Touch the [Cleaning Page](#) button.
  - d. Load plain letter or A4 paper when you are prompted.  
Wait until the process is complete. Discard the page that prints.
5. Print a configuration page to test the product.
- a. From the Home screen on the product control panel, swipe until the [Setup](#) menu displays. Touch the Setup  icon to open the menu.
  - b. Open the [Reports](#) menu.
  - c. Select [Configuration Report](#).

If none of these steps resolves the problem, the product might need service. Contact HP customer support.

## Jam locations

Jams can occur in these locations:



1	Document feeder
2	Fuser area
3	Tray 3 (optional)
4	Tray 2 Duplexing area (remove Tray 2 for access)
5	Tray 1

---

6	Toner cartridge area (open the front door for access)
---	---

---

7	Output bin
---	------------

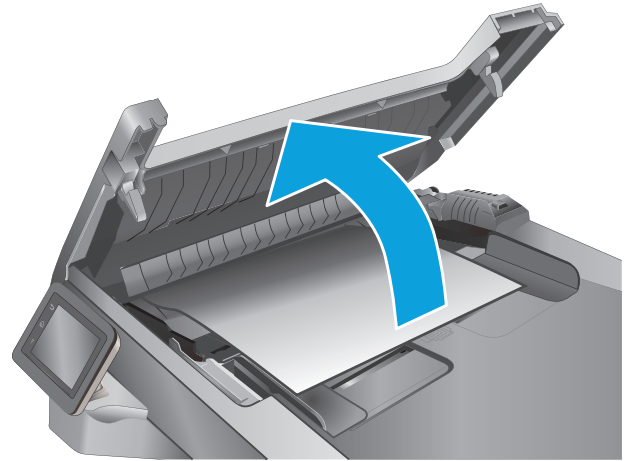
---

Loose toner might remain in the printer after a jam. This problem typically resolves itself after a few sheets have been printed.

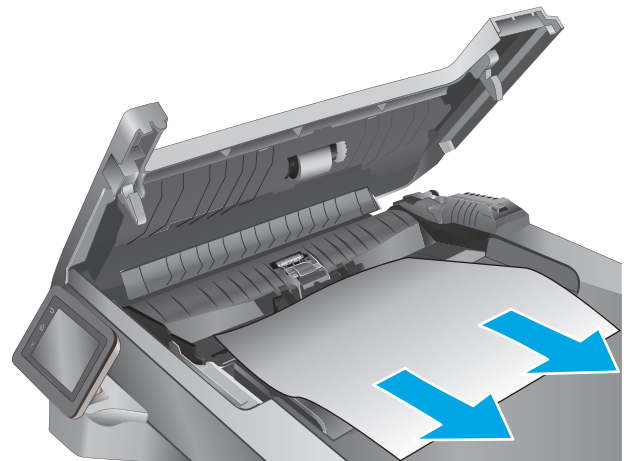
## Clear paper jams in the document feeder

The following information describes how to clear paper jams in the document feeder. When a jam occurs, the control panel displays an animation that assists in clearing the jam.

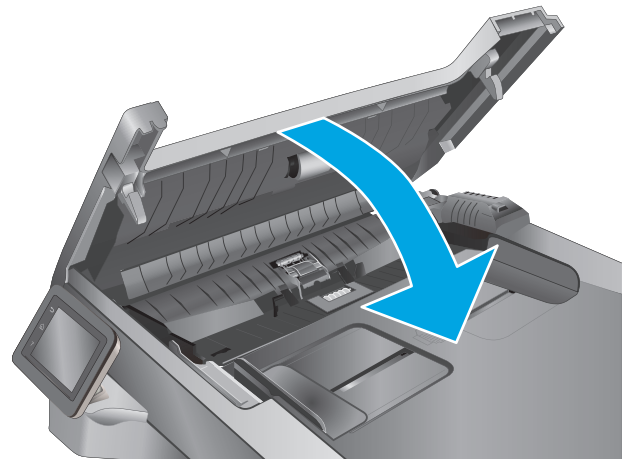
1. Open the document-feeder cover.



2. Gently pull the jammed paper out.



3. Close the document-feeder cover. Make sure it is completely closed.



4. Open the document feeder tray cover.



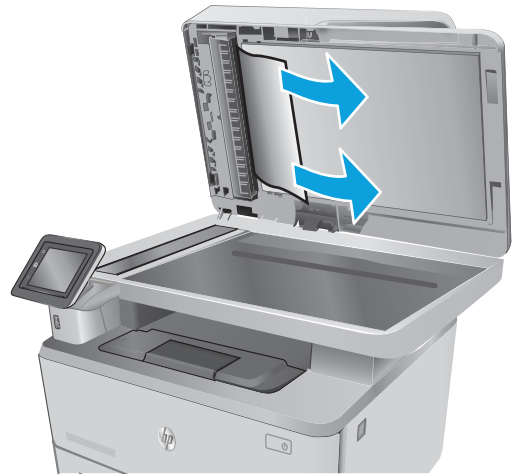
5. Gently pull the jammed paper out.



6. Close the document feeder tray cover.



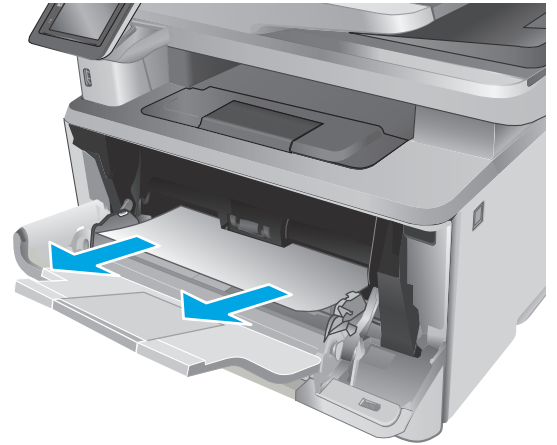
7. Open the scanner lid. If paper is jammed in the scanner lid, gently pull it out, and then close the scanner lid.



## Clear paper jams in Tray 1

Use the following procedure to clear paper jams in Tray 1. When a jam occurs, the control panel displays an animation that assists in clearing the jam.

1. Slowly pull the jammed paper out of the printer.



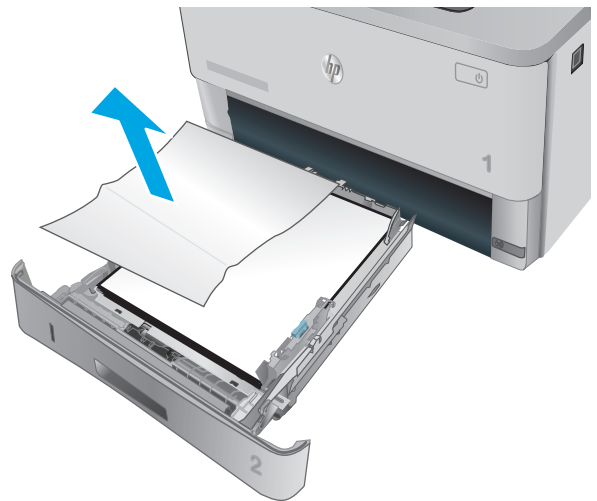
## Clear paper jams in Tray 2

Use the following procedure to check for paper in all possible jam locations related to Tray 2. When a jam occurs, the control panel displays an animation that assists in clearing the jam.

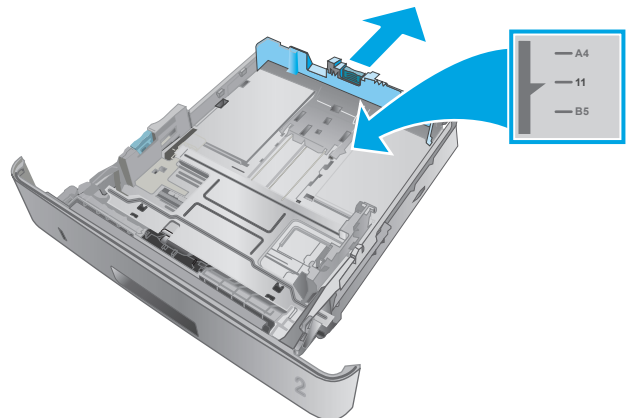
1. Remove the tray from the printer.



2. Remove the paper from the tray, and discard any damaged paper.

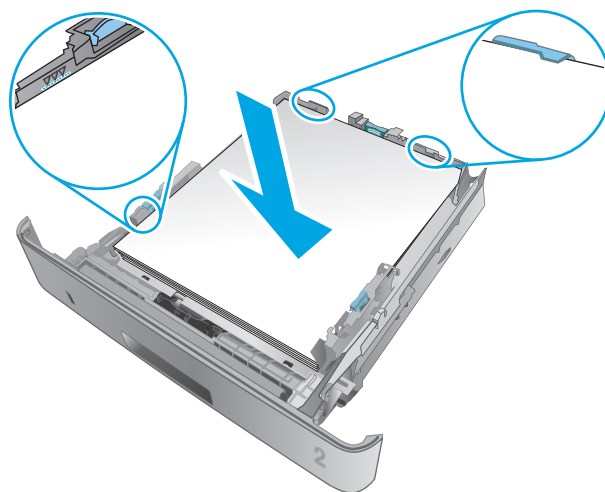


3. Verify that the rear paper guide is adjusted to the indentation for the correct paper size. If necessary, pinch the release and move the rear paper guide to the correct position. It should click into place.





4. Load the paper into the tray. Make sure that the stack is flat at all four corners and that the top of the stack is below the maximum-height indicators.



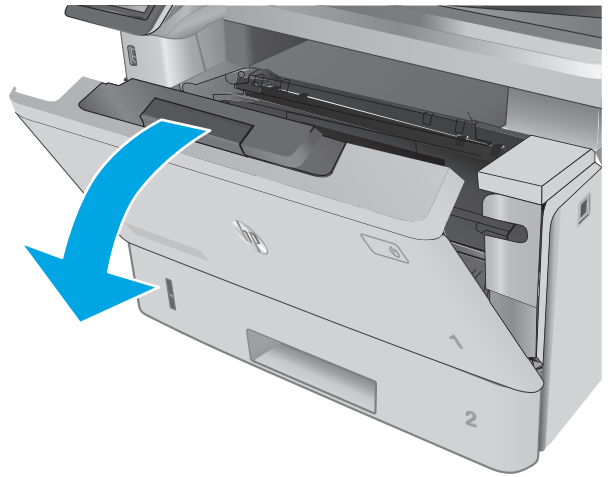
5. Reinsert and close the tray.



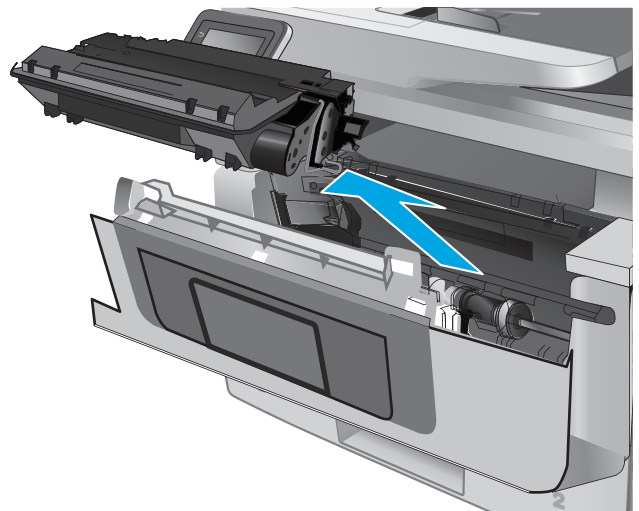
6. Press the front-door-release button.



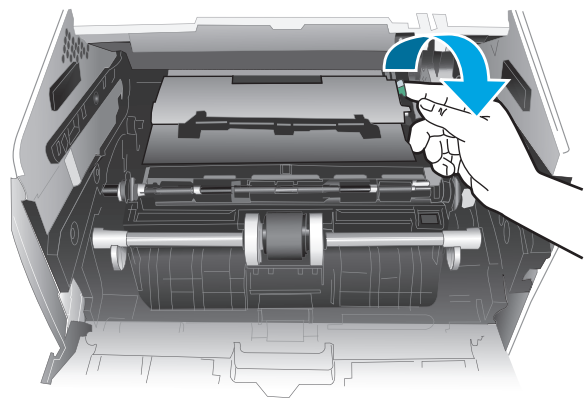
7. Open the front door.



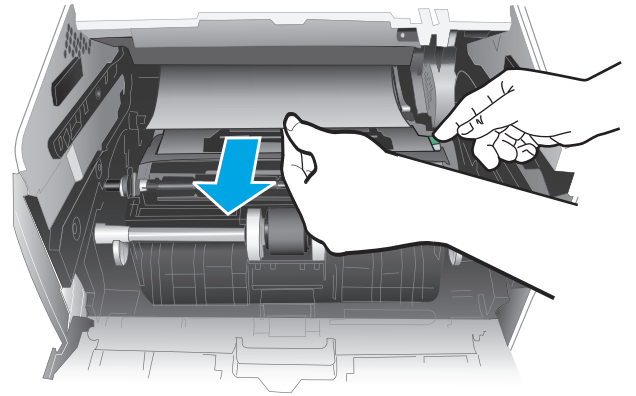
8. Remove the toner cartridge.



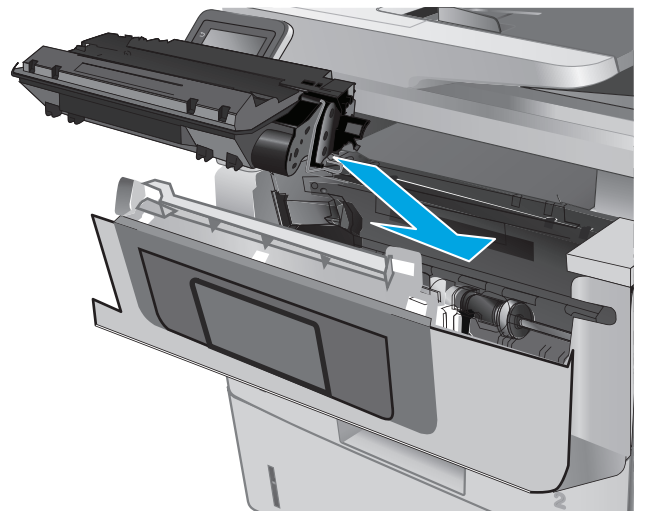
9. Lift the jam-access cover.



**10.** Remove any jammed paper.



**11.** Install the toner cartridge.



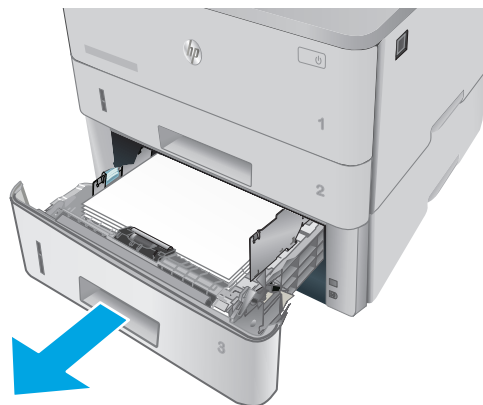
**12.** Close the front door.



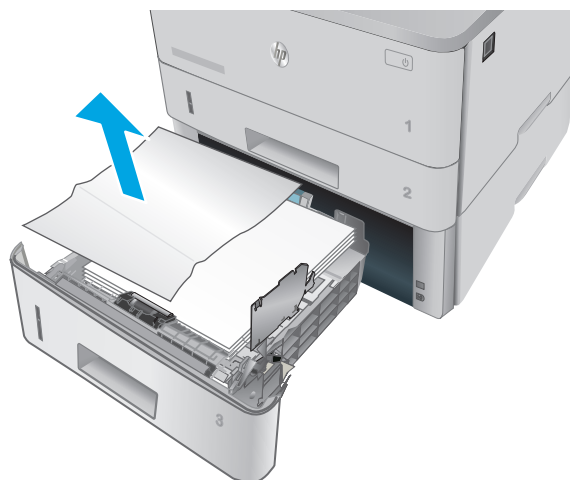
## Clear paper jams in Tray 3

Use the following procedure to check for paper in all possible jam locations related to Tray 3. When a jam occurs, the control panel displays an animation that assists in clearing the jam.

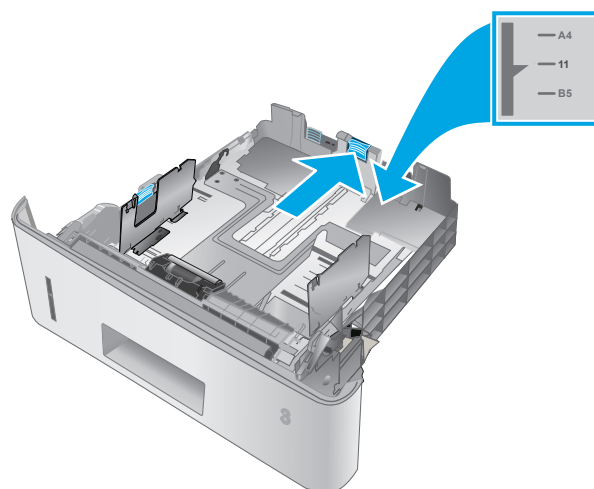
1. Remove the tray from the printer.



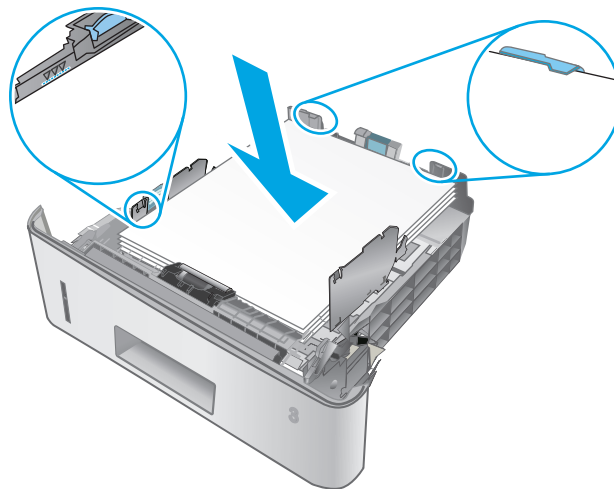
2. Remove the paper from the tray, and discard any damaged paper.



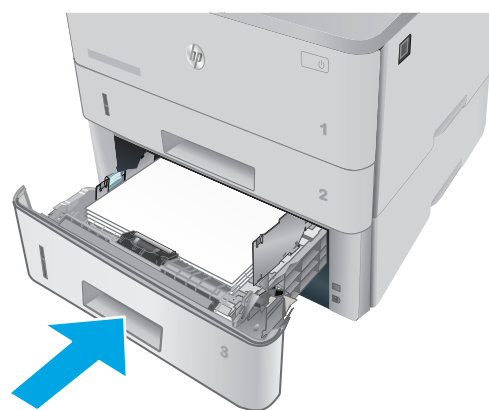
3. Verify that the rear paper guide is adjusted to the indentation for the correct paper size. If necessary, pinch the release and move the rear paper guide to the correct position. It should click into place.



4. Load the paper into the tray. Make sure that the stack is flat at all four corners and that the top of the stack is below the maximum-height indicators.



5. Reinsert and close the tray.



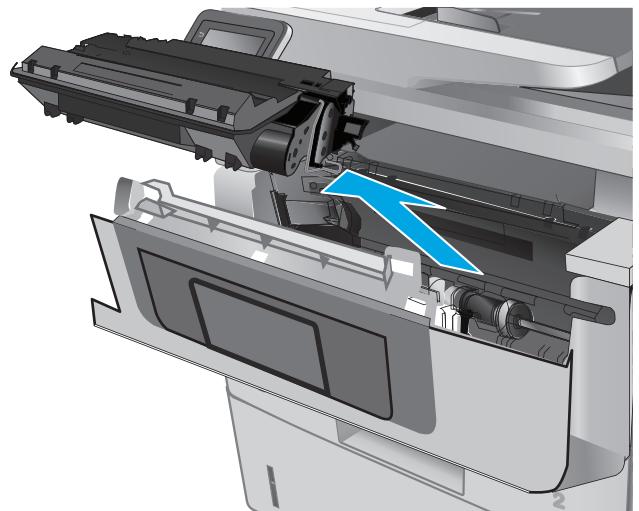
6. Press the front-door-release button.



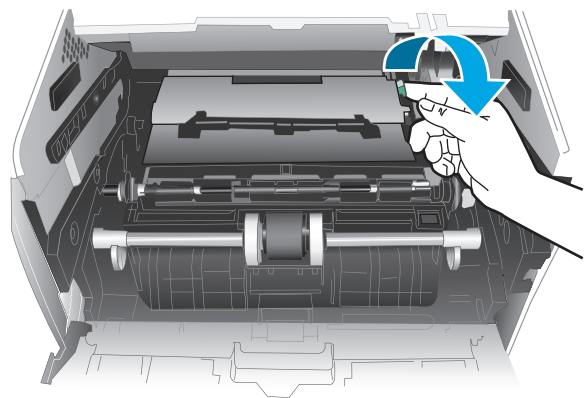
7. Open the front door.



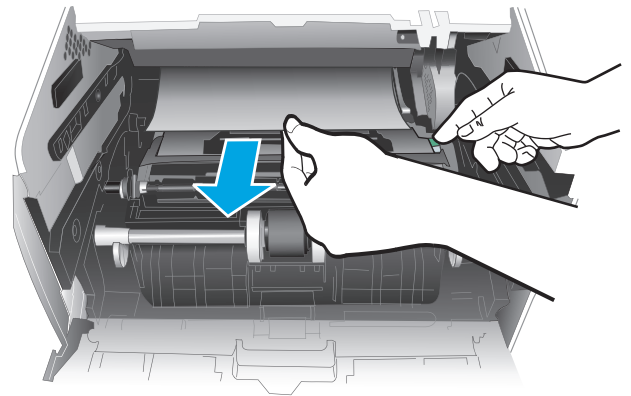
8. Remove the toner cartridge.



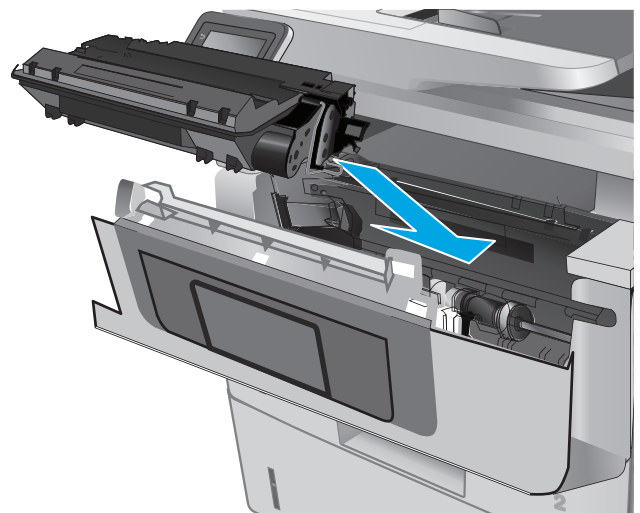
9. Lift the jam-access cover.



**10.** Remove any jammed paper.



**11.** Install the toner cartridge.



**12.** Close the front door.



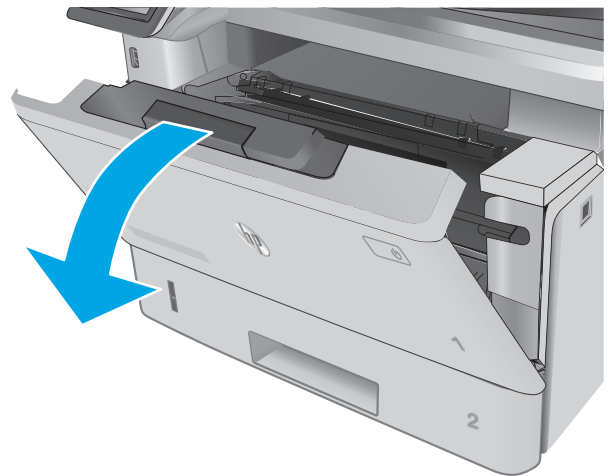
## Clear paper jams in the fuser

Use the following procedure to check for paper in all possible jam locations in the fuser area. When a jam occurs, the control panel displays an animation that assists in clearing the jam.

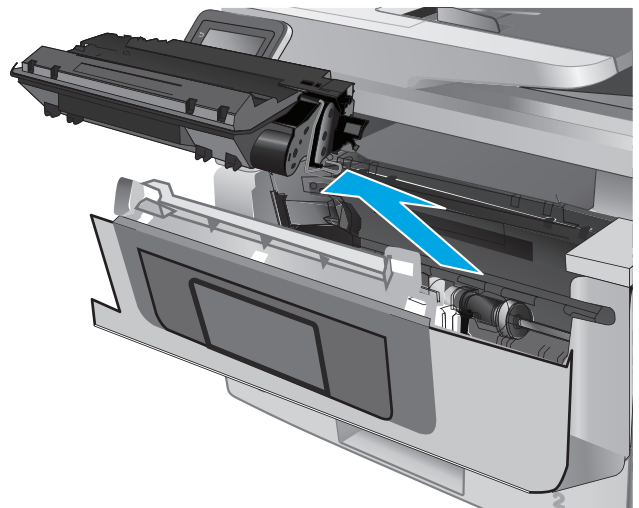
1. Press the front-door-release button.



2. Open the front door.

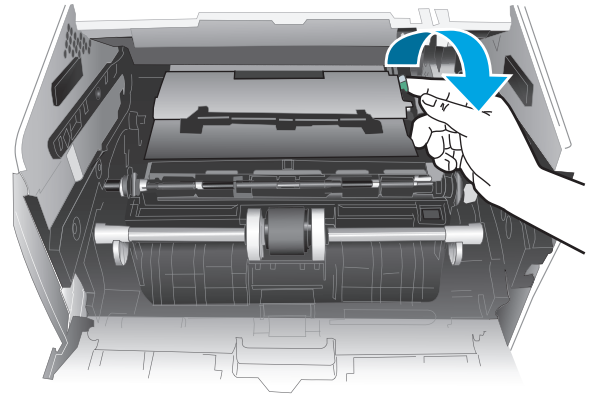


3. Remove the toner cartridge.

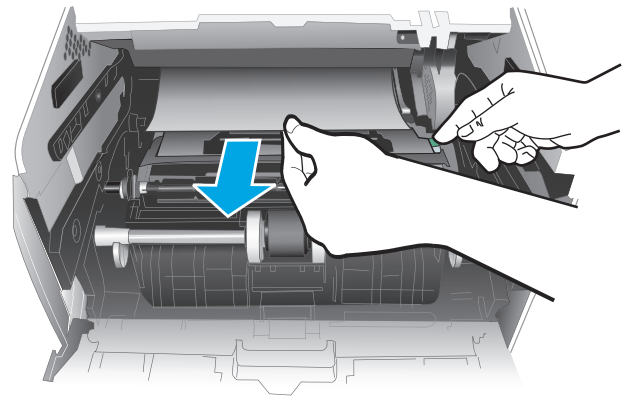




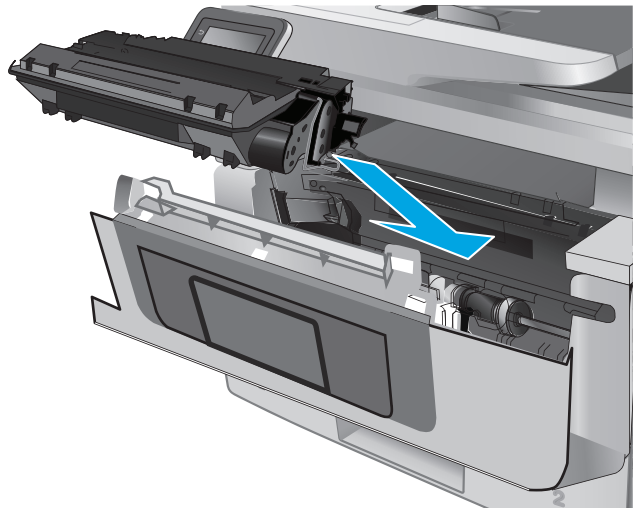
4. Lift the jam-access cover.



5. Remove any jammed paper.



6. Install the toner cartridge.



7. Close the front door.



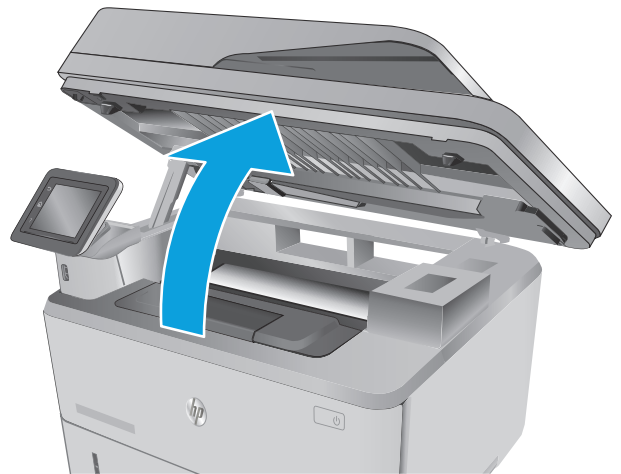
## Clear paper jams in the output bin

Use the following procedure to check for paper in all possible jam locations in the output bin. When a jam occurs, the control panel displays an animation that assists in clearing the jam.

1. If paper is visible in the output bin, grasp the leading edge and remove it.



2. Lift the scanner assembly.



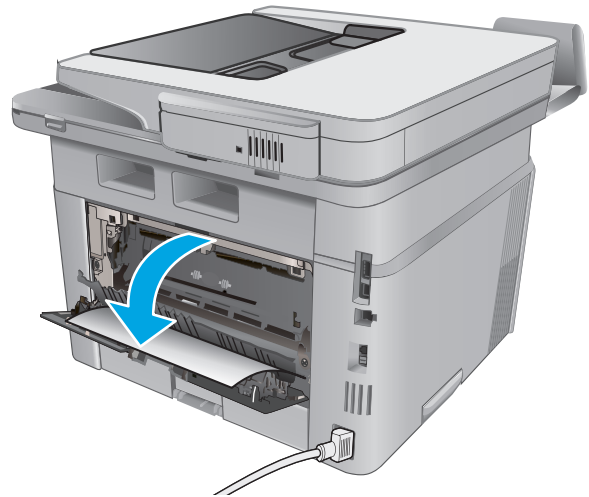
3. Remove any jammed paper.



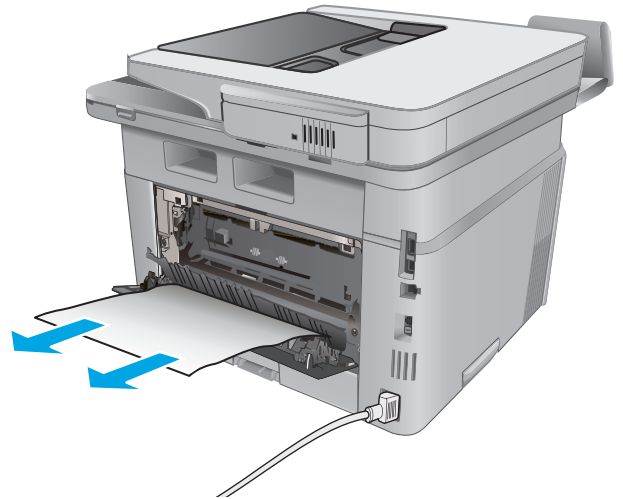
4. Close the scanner assembly.



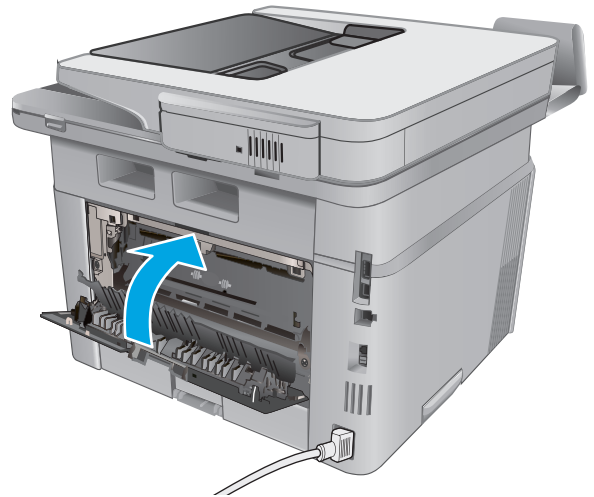
5. Open the rear door.



6. Remove any jammed paper from the rear door area.



7. Close the rear door.



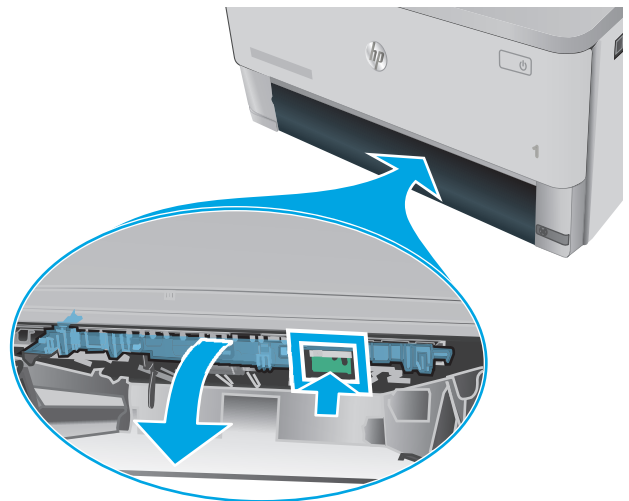
## Clear paper jams in the duplexer

Use the following procedure to check for paper in all possible jam locations in the automatic duplexer. When a jam occurs, the control panel displays an animation that assists in clearing the jam.

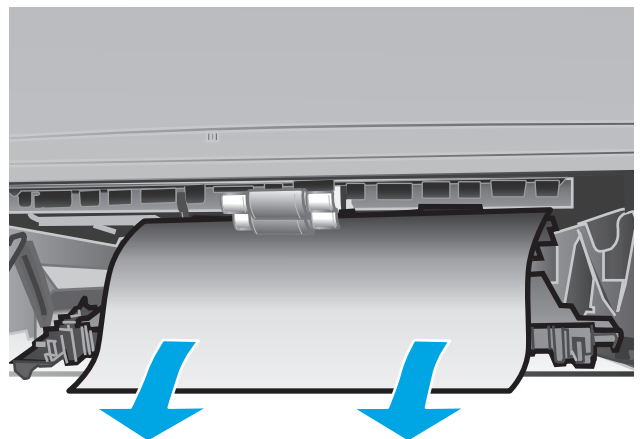
1. Completely remove Tray 2 from the printer.



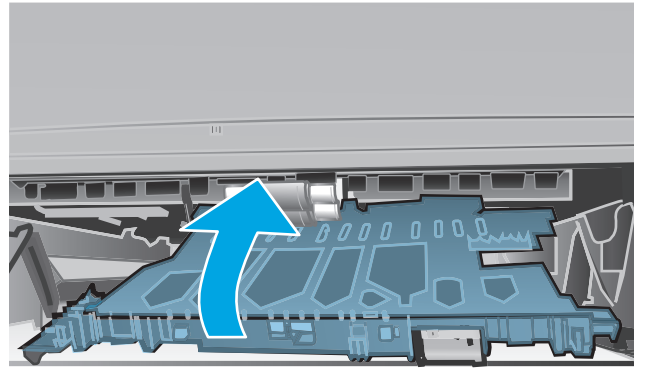
2. Push the green button to release the duplex pan.



3. Remove any jammed paper.



4. Close the duplex pan.



5. Reinsert Tray 2.



# Improve print quality

## Introduction

- [Print from a different software program](#)
- [Check the paper-type setting for the print job](#)
- [Check toner-cartridge status](#)
- [Clean the printer](#)
- [Visually inspect the toner cartridge](#)
- [Check paper and the printing environment](#)
- [Check the EconoMode settings](#)
- [Try a different print driver](#)

If the printer is having print-quality problems, try the following solutions in the order presented to resolve the issue.

## Print from a different software program

Try printing from a different software program. If the page prints correctly, the problem is with the software program from which you were printing.

## Check the paper-type setting for the print job

Check the paper type setting when printing from a software program and the printed pages have smears, fuzzy or dark print, curled paper, scattered dots of toner, loose toner, or small areas of missing toner.

### Check the paper type setting (Windows)

1. From the software program, select the **Print** option.
2. Select the printer, and then click the **Properties** or **Preferences** button.
3. Click the **Paper/Quality** tab.
4. From the **Paper Type** drop-down list, click the **More...** option.
5. Expand the list of **Type is:** options.
6. Expand the category of paper types that best describes your paper.
7. Select the option for the type of paper you are using, and click the **OK** button.
8. Click the **OK** button to close the **Document Properties** dialog box. In the **Print** dialog box, click the **OK** button to print the job.

### Check the paper type setting (OS X)

1. Click the **File** menu, and then click the **Print** option.
2. In the **Printer** menu, select the printer.




3. By default, the print driver displays the **Copies & Pages** menu. Open the menus drop-down list, and then click the **Finishing** menu.
4. Select a type from the **Media Type** drop-down list.
5. Click the **Print** button.

## Check toner-cartridge status

Check the supplies status page for the following information:

- Estimated percentage of cartridge life remaining
- Approximate pages remaining
- Part numbers for HP toner cartridges
- Number of pages printed

Use the following procedure to print the supplies status page:

1. From the Home screen on the printer control panel, swipe until the **Supplies** menu displays. Touch the **Supplies**  icon to open the menu.
2. Touch the **Report** button to print the supplies status page.
3. Check the percent of life remaining for the toner cartridges and if applicable, the status of other replaceable maintenance parts.

Print quality problems can occur when using a toner cartridge that is at its estimated end of life. The supplies status page indicates when a supply level is very low. After an HP supply has reached the very low threshold, HP's premium protection warranty on that supply has ended.

The toner cartridge does not need to be replaced now unless the print quality is no longer acceptable. Consider having a replacement available to install when print quality is no longer acceptable.

If you determine that you need to replace a toner cartridge or other replaceable maintenance parts, the supplies status page lists the genuine HP part numbers.

4. Check to see if you are using a genuine HP cartridge.

A genuine HP toner cartridge has the word "HP" on it, or has the HP logo on it. For more information on identifying HP cartridges go to [www.hp.com/go/learnaboutsupplies](http://www.hp.com/go/learnaboutsupplies).


HP cannot recommend the use of non-HP supplies, either new or remanufactured. Because they are not HP products, HP cannot influence their design or control their quality. If you are using a refilled or remanufactured toner cartridge and are not satisfied with the print quality, replace the toner cartridge with a genuine HP toner cartridge.

## Clean the printer

### Print a cleaning page

During the printing process paper, toner, and dust particles can accumulate inside the printer and can cause print-quality issues such as toner specks or spatter, smears, streaks, lines, or repeating marks.

Use the following procedure to print a cleaning page.

1. From the Home screen on the printer control panel, swipe until the **Setup** menu displays. Touch the **Setup**  icon to open the menu.
2. Touch the **Service** menu.
3. Touch the **Cleaning Page** button.
4. Load plain letter or A4 paper when you are prompted.


Wait until the process is complete. Discard the page that prints.

### Check the scanner glass for dirt and smudges

Over time, specks of debris might collect on the scanner glass and white plastic backing, which can affect performance. Use the following procedure to clean the scanner.

1. Press the power button to turn the printer off, and then disconnect the power cable from the electrical outlet.
2. Open the scanner lid.
3. Clean the scanner glass and the white plastic backing underneath the scanner lid with a soft cloth or sponge that has been moistened with nonabrasive glass cleaner.

---

 **CAUTION:** Do not use abrasives, acetone, benzene, ammonia, ethyl alcohol, or carbon tetrachloride on any part of the printer; these can damage the printer. Do not place liquids directly on the glass or platen. They might seep and damage the printer.

---


4. Dry the glass and white plastic parts with a chamois or a cellulose sponge to prevent spotting.
5. Connect the power cable to an outlet, and then press the power button to turn the printer on.

### Visually inspect the toner cartridge

Follow these steps to inspect each toner cartridge.

1. Remove the toner cartridge from the printer.
2. Check the memory chip for damage.
3. Examine the surface of the green imaging drum.

---

 **CAUTION:** Do not touch the imaging drum. Fingerprints on the imaging drum can cause print-quality problems.

---

4. If you see any scratches, fingerprints, or other damage on the imaging drum, replace the toner cartridge.
5. Reinstall the toner cartridge, and print a few pages to see if the problem has resolved.

## Check paper and the printing environment

### Step one: Use paper that meets HP specifications

Some print-quality problems arise from using paper that does not meet HP specifications.

- Always use a paper type and weight that this printer supports.
- Use paper that is of good quality and free of cuts, nicks, tears, spots, loose particles, dust, wrinkles, voids, staples, and curled or bent edges.
- Use paper that has not been previously printed on.
- Use paper that does not contain metallic material, such as glitter.
- Use paper that is designed for use in laser printers. Do not use paper that is designed only for use in Inkjet printers.
- Use paper that is not too rough. Using smoother paper generally results in better print quality.


### Step two: Check the environment

The environment can directly affect print quality and is a common cause for print-quality or paper-feeding issues. Try the following solutions:

- Move the printer away from drafty locations, such as open windows or doors, or air-conditioning vents.
- Make sure the printer is not exposed to temperatures or humidity outside of printer specifications.
- Do not place the printer in a confined space, such as a cabinet.
- Place the printer on a sturdy, level surface.
- Remove anything that is blocking the vents on the printer. The printer requires good air flow on all sides, including the top.
- Protect the printer from airborne debris, dust, steam, grease, or other elements that can leave residue inside the printer.

### Step three: Set the individual tray alignment

Follow these steps when text or images are not centered or aligned correctly on the printed page when printing from specific trays.

1. From the Home screen on the printer control panel, swipe until the **Setup** menu displays. Touch the **Setup**  icon to open the menu.
2. Open the following menus:
  - **System Setup**
  - **Print Quality**
  - **Adjust Alignment**
3. Select **Print Test Page**.
4. Select the tray to adjust, and then follow the instructions on the printed pages.

5. Select **Print Test Page** again to verify the results, and then make further adjustments if necessary.
6. Touch the **OK** button to save the new settings.

## Check the EconoMode settings

HP does not recommend the full-time use of EconoMode. If EconoMode is used full-time, the toner supply might outlast the mechanical parts in the toner cartridge. If print quality begins to degrade and is no longer acceptable, consider replacing the toner cartridge.



**NOTE:** This feature is available with the PCL 6 print driver for Windows. If you are not using that driver, you can enable the feature by using the HP Embedded Web Server.

Follow these steps if the entire page is too dark or too light.

1. From the software program, select the **Print** option.
2. Select the printer, and then click the **Properties** or **Preferences** button.
3. Click the **Paper/Quality** tab, and locate the **Print Quality** area.
4. If the entire page is too dark, use these settings:
  - Select the **600 dpi** option.
  - Select the **EconoMode** check box to enable it.

If the entire page is too light, use these settings:

- Select the **FastRes 1200** option.
  - Clear the **EconoMode** check box to disable it.
5. Click the **OK** button to close the **Document Properties** dialog box. In the **Print** dialog, click the **OK** button to print the job.

## Try a different print driver

Try a different print driver when printing from a software program and the printed pages have unexpected lines in graphics, missing text, missing graphics, incorrect formatting, or substituted fonts.

Download any of the following drivers from the HP Web site: [www.hp.com/support/ljM426MFP](http://www.hp.com/support/ljM426MFP), [www.hp.com/support/ljM427MFP](http://www.hp.com/support/ljM427MFP).

<b>HP PCL.6 driver</b>	<ul style="list-style-type: none"><li>• Provided as the default driver on the printer CD. This driver is automatically installed unless you select a different one.</li></ul>
<b>HP PCL 6 driver</b>	<ul style="list-style-type: none"><li>• Recommended for all Windows environments</li></ul>
<b>HP PCL-6 driver</b>	<ul style="list-style-type: none"><li>• Provides the overall best speed, print quality, and printer-feature support for most users</li><li>• Developed to align with the Windows Graphic Device Interface (GDI) for the best speed in Windows environments</li><li>• Might not be fully compatible with third-party and custom software programs that are based on PCL 5</li></ul>

---

**HP UPD PS driver**

- Recommended for printing with Adobe® software programs or with other highly graphics-intensive software programs
- Provides support for printing from postscript emulation needs, or for postscript flash font support

---

**HP UPD PCL 5**

- Recommended for general office printing in Windows environments
- Compatible with previous PCL versions and older HP LaserJet printers
- The best choice for printing from third-party or custom software programs
- The best choice when operating with mixed environments, which require the printer to be set to PCL 5 (UNIX, Linux, mainframe)
- Designed for use in corporate Windows environments to provide a single driver for use with multiple printer models
- Preferred when printing to multiple printer models from a mobile Windows computer

---

**HP UPD PCL 6**

- Recommended for printing in all Windows environments
  - Provides the overall best speed, print quality, and printer feature support for most users
  - Developed to align with Windows Graphic Device Interface (GDI) for best speed in Windows environments
  - Might not be fully compatible with third-party and custom software programs that are based on PCL 5
-

# Improve copy and scan image quality

## Introduction

If the printer is having image quality problems, try the following solutions in the order presented to resolve the issue.

- [Check the scanner glass for dirt and smudges](#)
- [Check the paper settings](#)
- [Check the image adjustment settings](#)
- [Optimize for text or pictures](#)
- [Edge-to-edge copying](#)
- [Clean the pickup rollers and separation pad in the document feeder](#)

Try these few simple steps first:

- Use the flatbed scanner rather than the document feeder.
- Use high-quality originals.
- When using the document feeder, load the original document into the feeder correctly, using the paper guides, to avoid unclear or skewed images.

If the problem still exists, try these additional solutions. If they do not fix the problem, see “Improve print quality” for further solutions.

## Check the scanner glass for dirt and smudges

Over time, specks of debris might collect on the scanner glass and white plastic backing, which can affect performance. Use the following procedure to clean the scanner.

1. Press the power button to turn the printer off, and then disconnect the power cable from the electrical outlet.
2. Open the scanner lid.
3. Clean the scanner glass and the white plastic backing underneath the scanner lid with a soft cloth or sponge that has been moistened with nonabrasive glass cleaner.


---

**⚠ CAUTION:** Do not use abrasives, acetone, benzene, ammonia, ethyl alcohol, or carbon tetrachloride on any part of the printer; these can damage the printer. Do not place liquids directly on the glass or platen. They might seep and damage the printer.

---


4. Dry the glass and white plastic parts with a chamois or a cellulose sponge to prevent spotting.
5. Connect the power cable to an outlet, and then press the power button to turn the printer on.

## Check the paper settings


1. From the Home screen on the printer control panel, touch the **Copy**  icon.
2. Touch the **Settings** button, and then scroll to and touch the **Paper** button.

3. From the list of paper sizes, touch the name of the paper size that is in the tray.
4. From the list of paper types, touch the name of the paper type that is in the tray.

## Check the image adjustment settings

1. From the Home screen, touch the **Copy**  icon.
2. Touch the **Settings** button, and then scroll to and touch the **Image Adjustment** button.
3. Touch the name of the setting you want to adjust.
  - **Lightness**: Adjusts the lightness/darkness setting.
  - **Contrast**: Adjusts the contrast between the lightest and darkest areas of the image.
  - **Sharpen**: Adjusts clarity of text characters.
  - **Background Removal**: Adjusts the darkness of the background of the image. This is especially useful for original documents that are printed on colored paper.
4. Touch the – or + buttons to adjust the value for the setting, and then touch the **OK** button.
5. Adjust another setting, or touch the back arrow to return to the main copy menu.

## Optimize for text or pictures

1. From the Home screen on the printer control panel, touch the **Copy**  icon.
2. Touch the **Settings** button, and then scroll to and touch the **Optimize** button.
3. Touch the name of the setting you want to adjust.
  - **Auto Select**: Use this setting when you are not concerned about the quality of the copy. This is the default setting.
  - **Mixed**: Use this setting for documents that contain a mixture of text and graphics.
  - **Text**: Use this setting for documents that contain mostly text.
  - **Picture**: Use this setting for documents that contain mostly graphics.

## Edge-to-edge copying

The printer cannot print fully edge-to-edge. There is a 4 mm (1/6 inch) unprintable border around the page.

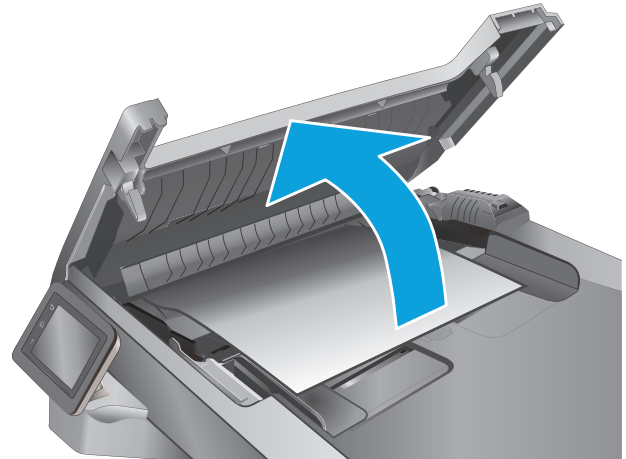
### Considerations for printing or scanning documents with cropped edges:

- When the original is smaller than the output size, move the original 4 mm (1/6 inch) away from the corner indicated by the icon on the scanner. Recopy or scan in this position.
- When the original is the size of the printed output that you want, use the **Reduce/Enlarge** feature to reduce the image so the copy is not cropped.

## Clean the pickup rollers and separation pad in the document feeder

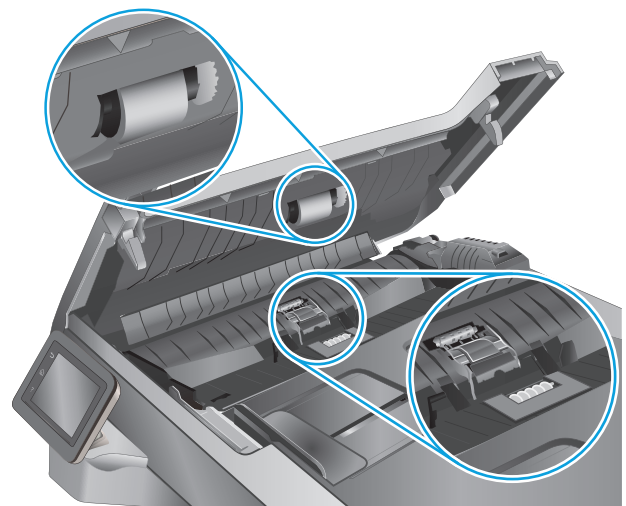
If the document feeder experiences paper-handling problems, such as jams or multiple-page feeds, clean the document-feeder rollers and separation pad.

1. Open the document-feeder cover.

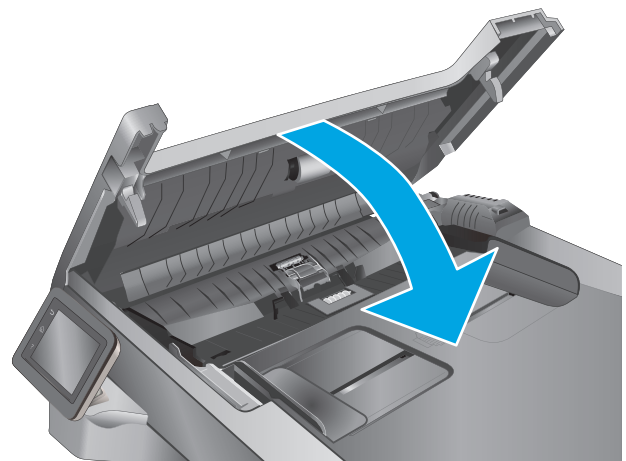


2. Use a moist, lint-free cloth to wipe both pickup rollers and the separation pad to remove dirt.

**CAUTION:** Do not use abrasives, acetone, benzene, ammonia, ethyl alcohol, or carbon tetrachloride on any part of the printer; these can damage the printer. Do not place liquids directly on the glass or platen. They might seep and damage the printer.



3. Close the document-feeder cover.





# Improve fax image quality

## Introduction

If the printer is having image quality problems, try the following solutions in the order presented to resolve the issue.

- [Check the scanner glass for dirt and smudges](#)
- [Check the send-fax resolution settings](#)
- [Check the error-correction settings](#)
- [Check the fit-to-page setting](#)
- [Clean the pickup rollers and separation pad in the document feeder](#)
- [Send to a different fax machine](#)
- [Check the sender's fax machine](#)

Try these few simple steps first:

- Use the flatbed scanner rather than the document feeder.
- Use high-quality originals.
- When using the document feeder, load the original document into the feeder correctly, using the paper guides, to avoid unclear or skewed images.


If the problem still exists, try these additional solutions. If they do not fix the problem, see “Improve print quality” for further solutions.

## Check the scanner glass for dirt and smudges

Over time, specks of debris might collect on the scanner glass and white plastic backing, which can affect performance. Use the following procedure to clean the scanner.

1. Press the power button to turn the printer off, and then disconnect the power cable from the electrical outlet.
2. Open the scanner lid.
3. Clean the scanner glass and the white plastic backing underneath the scanner lid with a soft cloth or sponge that has been moistened with nonabrasive glass cleaner.

---


 **CAUTION:** Do not use abrasives, acetone, benzene, ammonia, ethyl alcohol, or carbon tetrachloride on any part of the printer; these can damage the printer. Do not place liquids directly on the glass or platen. They might seep and damage the printer.

---

4. Dry the glass and white plastic parts with a chamois or a cellulose sponge to prevent spotting.
5. Connect the power cable to an outlet, and then press the power button to turn the printer on.

## Check the send-fax resolution settings


If the printer was unable to send a fax because the receiving fax machine did not answer or was busy, the printer attempts to redial based on the redial-on-busy, redial-on-no-answer, and redial-on-communication-error options.

1. From the Home screen on the printer control panel, swipe until the **Setup** menu displays. Touch the **Setup**  icon to open the menu.
2. Touch the **Fax Setup** menu.
3. Touch the **Advanced Setup** menu.
4. Open the **Fax Resolution** menu.

## Check the error-correction settings

Usually, the printer monitors the signals on the telephone line while it is sending or receiving a fax. If the printer detects an error during the transmission and the error-correction setting is **On**, the printer can request that the portion of the fax be resent. The factory-set default for error correction is **On**.

You should turn off error correction only if you are having trouble sending or receiving a fax, and you are willing to accept the errors in the transmission. Turning off the setting might be useful when you are trying to send a fax overseas or receive one from overseas, or if you are using a satellite telephone connection.


1. From the Home screen on the printer control panel, swipe until the **Setup** menu displays. Touch the **Setup**  icon to open the menu.
2. Touch the **Service** menu.
3. Touch the **Fax Service** menu.
4. Touch the **Error Correction** button, and then touch the **On** button.

## Check the fit-to-page setting

If the printer printed a fax job off the page, turn on the fit-to-page feature from the printer control panel.



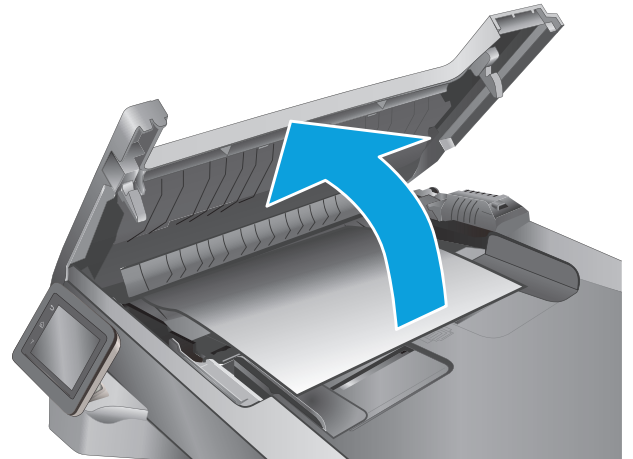
**NOTE:** Make sure that the default paper size setting matches the size of the paper in the tray.

1. From the Home screen on the printer control panel, swipe until the **Setup** menu displays. Touch the **Setup**  icon to open the menu.
2. Touch the **Fax Setup** menu.
3. Touch the **Advanced Setup** menu.
4. Touch the **Fit to Page** button, and then touch the **On** button.

## Clean the pickup rollers and separation pad in the document feeder

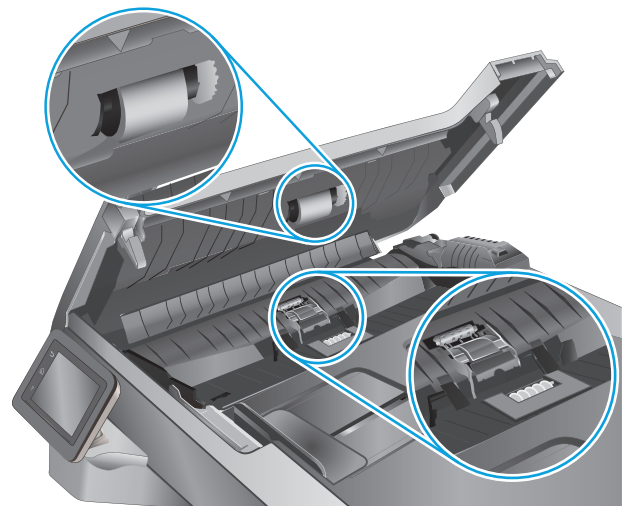
If the document feeder experiences paper-handling problems, such as jams or multiple-page feeds, clean the document-feeder rollers and separation pad.

1. Open the document-feeder cover.

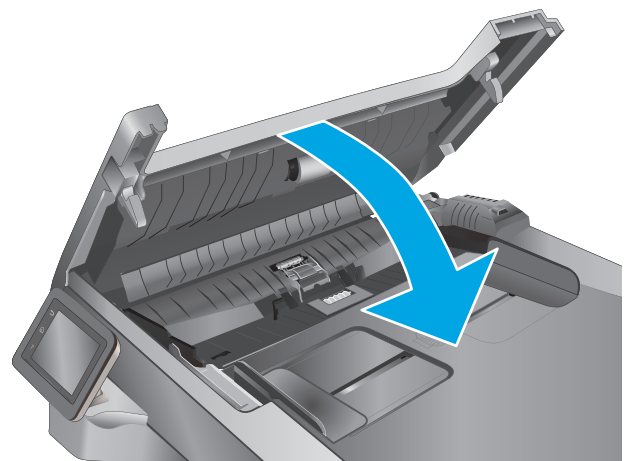


2. Use a moist, lint-free cloth to wipe both pickup rollers and the separation pad to remove dirt.

**CAUTION:** Do not use abrasives, acetone, benzene, ammonia, ethyl alcohol, or carbon tetrachloride on any part of the printer; these can damage the printer. Do not place liquids directly on the glass or platen. They might seep and damage the printer.



3. Close the document-feeder cover.



## Send to a different fax machine

Try sending the fax to a different fax machine. If the fax quality is better, the problem is related to the initial recipient's fax machine settings or supplies status.

## Check the sender's fax machine

Ask the sender to try sending from a different fax machine. If the fax quality is better, the problem is with the sender's fax machine. If a different fax machine is unavailable, ask the sender to consider making the following changes:

- Make sure the original document is on white (not colored) paper.
- Increase the fax resolution, quality level, or contrast settings.
- If possible, send the fax from a computer software program.

# Solve wired network problems

## Introduction

Check the following items to verify that the printer is communicating with the network. Before beginning, print a configuration page from the printer control panel and locate the printer IP address that is listed on this page.

- [Poor physical connection](#)
- [The computer is using the incorrect IP address for the printer](#)
- [The computer is unable to communicate with the printer](#)
- [The printer is using incorrect link and duplex settings for the network](#)
- [New software programs might be causing compatibility problems](#)
- [The computer or workstation might be set up incorrectly](#)
- [The printer is disabled, or other network settings are incorrect](#)



**NOTE:** HP does not support peer-to-peer networking, as the feature is a function of Microsoft operating systems and not of the HP print drivers. For more information, go to Microsoft at [www.microsoft.com](http://www.microsoft.com).

## Poor physical connection

1. Verify that the printer is attached to the correct network port using a cable of the correct length.
2. Verify that cable connections are secure.
3. Look at the network port connection on the back of the printer, and verify that the amber activity light and the green link-status light are lit.
4. If the problem continues, try a different cable or port on the hub.

## The computer is using the incorrect IP address for the printer

1. Open the printer properties and click the **Ports** tab. Verify that the current IP address for the printer is selected. The printer IP address is listed on the printer configuration page.
2. If you installed the printer using the HP standard TCP/IP port, select the box labeled **Always print to this printer, even if its IP address changes**.
3. If you installed the printer using a Microsoft standard TCP/IP port, use the hostname instead of the IP address.
4. If the IP address is correct, delete the printer and then add it again.

## The computer is unable to communicate with the printer

1. Test network communication by pinging the network.
  - a. Open a command-line prompt on your computer.

- For Windows, click **Start**, click **Run**, type `cmd`, and then press **Enter**.
  - For OS X, go to **Applications**, then **Utilities**, and open **Terminal**.
- b. Type `ping` followed by the IP address for your printer.
  - c. If the window displays round-trip times, the network is working.
2. If the ping command failed, verify that the network hubs are on, and then verify that the network settings, the printer, and the computer are all configured for the same network.

## The printer is using incorrect link and duplex settings for the network

HP recommends leaving these settings in automatic mode (the default setting). If you change these settings, you must also change them for your network.

## New software programs might be causing compatibility problems

Verify that any new software programs are correctly installed and that they use the correct print driver.

## The computer or workstation might be set up incorrectly

1. Check the network drivers, print drivers, and the network redirection settings.
2. Verify that the operating system is configured correctly.

## The printer is disabled, or other network settings are incorrect

1. Review the configuration page to check the status of the network protocol. Enable it if necessary.
2. Reconfigure the network settings if necessary.

# Solve wireless network problems

- [Introduction](#)
- [Wireless connectivity checklist](#)
- [The printer does not print after the wireless configuration completes](#)
- [The printer does not print, and the computer has a third-party firewall installed](#)
- [The wireless connection does not work after moving the wireless router or printer](#)
- [Cannot connect more computers to the wireless printer](#)
- [The wireless printer loses communication when connected to a VPN](#)
- [The network does not appear in the wireless networks list](#)
- [The wireless network is not functioning](#)
- [Perform a wireless network diagnostic test](#)
- [Reduce interference on a wireless network](#)

## Introduction

Use the troubleshooting information to help resolve issues.



---

**NOTE:** To determine whether HP NFC and Wi-Fi Direct printing are enabled on your printer, print a configuration page from the printer control panel

---

## Wireless connectivity checklist

- Verify that the network cable is not connected.
- Verify that the printer and the wireless router are turned on and have power. Also make sure that the wireless radio in the printer is turned on.
- Verify that the service set identifier (SSID) is correct. Print a configuration page to determine the SSID. If you are not sure the SSID is correct, run the wireless setup again.
- With secured networks, verify that the security information is correct. If the security information is incorrect, run the wireless setup again.
- If the wireless network is working correctly, try accessing other computers on the wireless network. If the network has Internet access, try connecting to the Internet over a wireless connection.
- Verify that the encryption method (AES or TKIP) is the same for the printer as it is for the wireless access point (on networks using WPA security).
- Verify that the printer is within the range of the wireless network. For most networks, the printer must be within 30 m (100 ft) of the wireless access point (wireless router).
- Verify that obstacles do not block the wireless signal. Remove any large metal objects between the access point and the printer. Make sure poles, walls, or support columns containing metal or concrete do not separate the printer and wireless access point.

- Verify that the printer is located away from electronic devices that might interfere with the wireless signal. Many devices can interfere with the wireless signal including motors, cordless phones, security system cameras, other wireless networks, and some Bluetooth devices.
- Verify that the print driver is installed on the computer.
- Verify that you have selected the correct printer port.
- Verify that the computer and printer connect to the same wireless network.
- For OS X, verify that the wireless router supports Bonjour.

## The printer does not print after the wireless configuration completes

1. Make sure that the printer is turned on and in the ready state.
2. Turn off any third-party firewalls on your computer.
3. Make sure that the wireless network is working correctly.
4. Make sure that your computer is working correctly. If necessary, restart the computer.
5. Verify that you can open the printer HP Embedded Web Server from a computer on the network.

## The printer does not print, and the computer has a third-party firewall installed

1. Update the firewall with the most recent update available from the manufacturer.
2. If programs request firewall access when you install the printer or try to print, make sure you allow the programs to run.
3. Temporarily turn off the firewall, and then install the wireless printer on the computer. Enable the firewall when you have completed the wireless installation.

## The wireless connection does not work after moving the wireless router or printer

1. Make sure that the router or printer connects to the same network that your computer connects to.
2. Print a configuration page.
3. Compare the service set identifier (SSID) on the configuration page to the SSID in the printer configuration for the computer.
4. If the numbers are not the same, the devices are not connecting to the same network. Reconfigure the wireless setup for the printer.

## Cannot connect more computers to the wireless printer

1. Make sure that the other computers are within the wireless range and that no obstacles block the signal. For most networks, the wireless range is within 30 m (100 ft) of the wireless access point.
2. Make sure that the printer is turned on and in the ready state.
3. Make sure there are not more than 5 concurrent Wi-Fi Direct users.
4. Turn off any third-party firewalls on your computer.



5. Make sure that the wireless network is working correctly.
6. Make sure that your computer is working correctly. If necessary, restart the computer.

## The wireless printer loses communication when connected to a VPN

- Typically, you cannot connect to a VPN and other networks at the same time.

## The network does not appear in the wireless networks list


- Make sure the wireless router is turned on and has power.
- The network might be hidden. However, you can still connect to a hidden network.

## The wireless network is not functioning

1. Make sure that the network cable is not connected.
2. To verify if the network has lost communication, try connecting other devices to the network.
3. Test network communication by pinging the network.
  - a. Open a command-line prompt on your computer.
    - For Windows, click **Start**, click **Run**, type `cmd`, and then press **Enter**.
    - For OS X, go to **Applications**, then **Utilities**, and open **Terminal**.
  - b. Type `ping` followed by the router IP address.
  - c. If the window displays round-trip times, the network is working.
4. Make sure that the router or printer connects to the same network that the computer connects to.
  - a. Print a configuration page.
  - b. Compare the service set identifier (SSID) on the configuration report to the SSID in the printer configuration for the computer.
  - c. If the numbers are not the same, the devices are not connecting to the same network. Reconfigure the wireless setup for the printer.

## Perform a wireless network diagnostic test

From the printer control panel, you can run a diagnostic test that provides information about the wireless network settings.

1. From the Home screen on the printer control panel, swipe until the **Setup** menu displays. Touch the **Setup**  icon to open the menu.
2. Scroll to and select **Self Diagnostics**.
3. Select **Run Wireless Test** to start the test. The printer prints a test page that shows test results.

## Reduce interference on a wireless network

The following tips can reduce interference in a wireless network:

- Keep the wireless devices away from large metal objects, such as filing cabinets, and other electromagnetic devices, such as microwaves and cordless telephones. These objects can disrupt radio signals.
- Keep the wireless devices away from large masonry structures and other building structures. These objects can absorb radio waves and lower signal strength.
- Position the wireless router in a central location in line of sight with the wireless printers on the network.


# Solve fax problems

## Introduction

Use the fax troubleshooting information to help resolve issues.

- [Fax troubleshooting checklist](#)
- [Solve general fax problems](#)


## Fax troubleshooting checklist

- Several possible fixes are available. After each recommended action, retry faxing to see if the problem is resolved.
  - For best results during fax problem solving, make sure the line from the printer is connected directly to the wall phone port. Disconnect all other devices that are connected to the printer.
1. Verify that the telephone cord is connected to the correct port on the back of the printer.
  2. Check the phone line by using the fax test:
    - a. From the Home screen on the printer control panel, swipe until the **Setup** menu displays. Touch the **Setup**  icon to open the menu.
    - b. Open the following menus:
      - [Service](#)
      - [Fax Service](#)
    - c. Select the [Run Fax Test](#) option. The printer prints a fax test report.

The report contains the following possible results:

      - **Pass:** The report contains all of the current fax settings for review.
      - **Fail:** The report indicates the nature of the error and contains suggestions for how to resolve the issue.
  3. Verify that the printer firmware is current:
    - a. Print a configuration page from the control panel [Reports](#) menu to obtain the current firmware date code.
    - b. Go to [www.hp.com/go/support](http://www.hp.com/go/support), click the **Drivers & Software** link, type the printer name in the search field, press the **ENTER** button, and then select the printer from the list of search results.
    - c. Select the operating system.
    - d. Under the **Firmware** section, locate the **Firmware Update Utility**.

---

 **NOTE:** Make sure to use the firmware update utility that is specific to the printer model.

    - e. Click **Download**, click **Run**, and then click **Run** again.
    - f. When the utility launches, select the printer from the drop-down list, and then click **Send Firmware**.



---

**NOTE:** To print a configuration page to verify the installed firmware version before or after the update process, click **Print Config**.

---

- g.** Follow the on-screen instructions to complete the installation, and then click the **Exit** button to close the utility.
- 4.** Verify that the fax was set up when the printer software was installed.  
From the computer, in the HP program folder, run the Fax Setup Utility.
- 5.** Verify that the telephone service supports analog fax.
  - If using ISDN or digital PBX, contact your service provider for information about configuring to an analog fax line.
  - If using a VoIP service, change the **Fax Speed** setting to **Slow (V.29)** from the control panel. Ask if your service provider supports fax and for the recommended fax modem speed. Some companies might require an adapter.
  - If you are using a DSL service, make sure that a filter is included on the phone-line connection to the printer. Contact the DSL service provider, or purchase a DSL filter if you do not have one. If a DSL filter is installed, try another filter because filters can be defective.

## Solve general fax problems

- [Faxes are sending slowly](#)
- [Fax quality is poor](#)
- [Fax cuts off or prints on two pages](#)

### Faxes are sending slowly

The printer is experiencing poor phone line quality.

- Retry sending the fax when the line conditions have improved.
- Check with the phone service provider that the line supports fax.
- Turn off the **Error Correction** setting.
  - a.** Open the **Setup Menu** menu.
  - b.** Open the **Service** menu.
  - c.** Open the **Fax Service** menu.
  - d.** Open the **Error Correction** menu.
  - e.** Select the **Off** setting.



---

**NOTE:** This can reduce image quality.

---

- Use white paper for the original. Do not use colors such as gray, yellow, or pink.
- Increase the **Fax Speed** setting.

- a. Open the [Setup Menu](#) menu.
- b. Open the [Fax Setup](#) menu.
- c. Open the [Advanced Setup](#) menu.
- d. Open the [Fax Speed](#) menu.
- e. Select the correct setting.
- Divide large fax jobs into smaller sections, and then fax them individually.
- Change the fax settings on the control panel to a lower resolution.
  - a. Open the [Setup Menu](#) menu.
  - b. Open the [Fax Setup](#) menu.
  - c. Open the [Advanced Setup](#) menu.
  - d. Open the [Fax Resolution](#) menu.
  - e. Select the correct setting.

## Fax quality is poor

Fax is blurry or light.

- Increase fax resolution when sending faxes. Resolution does not affect received faxes.
  - a. Open the [Setup Menu](#) menu.
  - b. Open the [Fax Setup](#) menu.
  - c. Open the [Advanced Setup](#) menu.
  - d. Open the [Fax Resolution](#) menu.
  - e. Select the correct setting.




---

**NOTE:** Increasing resolution slows transmission speed.

---

- Turn on the [Error Correction](#) setting from the control panel.
  - a. Open the [Setup Menu](#) menu.
  - b. Open the [Service](#) menu.
  - c. Open the [Fax Service](#) menu.
  - d. Open the [Error Correction](#) menu.
  - e. Select the [On](#) setting.
- Check the toner cartridges and replace if necessary.
- Ask the sender to darken the contrast setting on the sending fax machine, and then resend the fax.

## Fax cuts off or prints on two pages

- Set the **Default Paper Size** setting. Faxes print on a single size of paper based on the **Default Paper Size** settings.
  - a. Open the **Setup Menu** menu.
  - b. Open the **System Setup** menu.
  - c. Open the **Paper Setup** menu.
  - d. Open the **Default Paper Size** menu.
  - e. Select the correct setting.
- Set the paper type and size for the tray used for faxes.
- Turn on the **Fit to Page** setting to print longer length faxes on letter or A4 size paper.
  - a. Open the **Setup Menu** menu.
  - b. Open the **Fax Setup** menu.
  - c. Open the **Advanced Setup** menu.
  - d. Open the **Fit to Page** menu.
  - e. Select the **On** setting.



**NOTE:** If the **Fit to Page** setting is off and the **Default Paper Size** setting is set to letter, a legal size original prints on two pages.

---

# Index

## A

- accessories
  - ordering 28
  - part numbers 28
- acoustic specifications 12
- AirPrint 51
- Android devices
  - printing from 52
- applications
  - downloading 94
- Apps menu 94

## B

- bin, output
  - locating 2
- browser requirements
  - HP Embedded Web Server 96

## C

- cartridge
  - replacing 30
- checklist
  - fax troubleshooting 167
  - wireless connectivity 163
- cleaning
  - glass 150, 154, 157
  - paper path 150
- control panel
  - help 113
  - locating 2
- copying
  - edges of documents 155
  - multiple copies 56
  - optimizing for text or pictures 155
  - setting paper size and type 154
  - single copies 56
  - two-sided documents 57

## customer support

- online 112

## D

- defaults, restoring 114
- deleting
  - stored jobs 48
- dimensions, printer 11
- document feeder 57
  - copying two-sided documents 57
  - faxing from 90
  - jams 128
  - paper-feeding problems 122
- double-sided copying 57
- double-sided printing
  - Mac 41
  - Windows 38
- drivers, supported 8
- duplex 57
- duplex printing
  - Mac 41
- duplex printing (double-sided)
  - settings (Windows) 37
  - Windows 38
- duplexer
  - clearing jams 146
  - locating 3
- duplexing
  - manually (Mac) 41
  - manually (Windows) 38

## E

- EconoMode setting 106, 152
- economy settings 106
- electrical specifications 12
- electronic faxes
  - sending 91

## Embedded Web Server (EWS)

- assigning passwords 105
- features 96
- enabling
  - stored jobs 44
- envelopes, loading 26
- Explorer, versions supported
  - HP Embedded Web Server 96

## F

- factory-set defaults, restoring 114
- fax
  - sending from software 91
  - solve general problems 168
  - speed dials 90
- fax troubleshooting
  - checklist 167
- faxing
  - from a computer (Windows) 91
  - from the document feeder 90
  - from the flatbed scanner 89
- fuser
  - clearing jams 140

## G

- glass, cleaning 150, 154, 157

## H

- help, control panel 113
- HP Customer Care 112
- HP Device Toolbox, using 96
- HP Embedded Web Server (EWS)
  - features 96
- HP ePrint 50
- HP ePrint software 51
- HP EWS, using 96
- HP Scan software (OS X) 61
- HP Scan software (Windows) 60
- HP Utility 99

- HP Utility for Mac
  - Bonjour 99
  - features 99
- HP Utility, Mac 99
- HP Web Jetadmin 108
- HP Web Services
  - applications 94
  - enabling 94

## I

- interface ports
  - locating 3
- Internet Explorer, versions supported
  - HP Embedded Web Server 96

## J

- jams
  - document feeder 128
  - duplexer 146
  - fuser 140
  - locating 126
  - output bin 143
    - Tray 1 131
    - Tray 2 132
    - Tray 3 136
- Jetadmin, HP Web 108
- jobs, stored
  - creating (Windows) 46
  - deleting 48
  - enabling 44
  - printing 47

## L

- labels
  - printing (Windows) 38
- loading
  - paper in Tray 1 16
  - paper in Tray 2 20
  - paper in Tray 3 23
- lock
  - formatter 105

## M

- Macintosh
  - HP Utility 99
- maintenance kits
  - part numbers 28
- manual duplex
  - Mac 41
  - Windows 38

- memory
  - included 7
- memory chip (toner)
  - locating 30
- Microsoft Word, faxing from 91
- mobile printing
  - Android devices 52
- mobile printing solutions 7
- mobile printing, software supported 10
- multiple pages per sheet
  - printing (Mac) 42
  - printing (Windows) 38

## N

- Near Field Communication printing 49
- Netscape Navigator, versions supported
  - HP Embedded Web Server 96
- network duplex settings, changing 103
- network installation 95
- network link speed settings, changing 103
- network port
  - locating 3
- networks
  - HP Web Jetadmin 108
  - installing the printer 95
  - supported 7
- NFC printing 49
- number of copies, changing 56

## O

- on/off button, locating 2
- online help, control panel 113
- online support 112
- operating systems (OS)
  - supported 7
- operating systems, supported 8
- ordering
  - supplies and accessories 28
- OS (operating system)
  - supported 7
- output bin
  - clearing jams 143
  - locating 2

## P

- pages per minute 7

- pages per sheet
  - selecting (Mac) 42
  - selecting (Windows) 38
- paper
  - loading in Tray 1 16
  - loading Tray 2 20
  - loading Tray 3 23
  - selecting 151
- paper jams
  - document feeder 128
  - locating 126
    - Tray 1 131
    - Tray 2 132
    - Tray 3 136
- paper pickup problems
  - solving 117, 119
- paper type
  - selecting (Windows) 38
- paper types
  - selecting (Mac) 42
- paper, ordering 28
- part numbers
  - accessories 28
  - replacement parts 28
  - staple cartridges 28
  - supplies 28
  - toner cartridge 28
  - toner cartridges 28
- phone book, fax
  - adding entries 90
- power
  - consumption 12
- power connection
  - locating 3
- power switch, locating 2
- print drivers, supported 8
- print on both sides
  - Mac 41
  - manually, Windows 38
  - Windows 38
- printing
  - from USB flash drives 53
  - stored jobs 47
- printing on both sides
  - settings (Windows) 37
- private printing 44

## R

- rear door
  - locating 3



- replacement parts
  - part numbers 28
- replacing
  - toner cartridge 30
- restoring factory-set defaults 114

## S

- scanner
  - faxing from 89
  - glass cleaning 150, 154, 157
- scanning
  - from HP Scan software (OS X) 61
  - from HP Scan software (Windows) 60
- sending faxes
  - from software 91
- settings
  - factory-set defaults, restoring 114
- shut down after delay
  - setting 107
- sleep delay
  - setting 106
- software
  - HP Utility 99
  - sending faxes 91
- solve problems
  - fax 168
- special paper
  - printing (Windows) 38
- specifications
  - electrical and acoustic 12
- speed dials
  - programming 90
- staple cartridges
  - part numbers 28
- status
  - HP Utility, Mac 99
- store print jobs 44
- stored jobs
  - creating (Windows) 46
  - deleting 48
  - enabling 44
  - printing 47
- storing jobs
  - with Windows 46
- supplies
  - low threshold settings 115
  - ordering 28

- part numbers 28
- replacing toner cartridge 30
- status, viewing with HP Utility for Mac 99
- using when low 115

- supplies status 149
- support
  - online 112
- system requirements
  - HP Embedded Web Server 96

## T

- technical support
  - online 112
- toner cartridge
  - components 30
  - low threshold settings 115
  - part numbers 28
  - replacing 30
  - using when low 115
- toner cartridges
  - part numbers 28
- toner-cartridge status 149
- transparencies
  - printing (Windows) 38
- Tray 1
  - jams 131
  - loading 16
  - loading envelopes 26
- Tray 2
  - jams 132
  - loading 20
- Tray 3
  - jams 136
  - loading 23
- trays
  - capacity 7
  - included 7
  - locating 2
- troubleshooting
  - faxes 167
  - network problems 161
  - paper feed problems 117
  - wired network 161
  - wireless network 163
- two-sided copying 57
- two-sided printing
  - settings (Windows) 37

## U

- USB flash drives
  - printing from 53
- USB port
  - locating 3

## W

- walk-up USB port
  - locating 2
- walk-up USB printing 53
- Web browser requirements
  - HP Embedded Web Server 96
- Web Services
  - applications 94
  - enabling 94
- Web sites
  - customer support 112
  - HP Web Jetadmin, downloading 108
- weight, printer 11
- Wi-Fi Direct Printing 49
- Windows
  - faxing from 91
- wireless network
  - troubleshooting 163
- wireless network interference 165
- Word, faxing from 91

