

EdgeReady™ Micro Data Center

Wall-Mount Rack, 9U Usable, 1.5 kVA, 120V



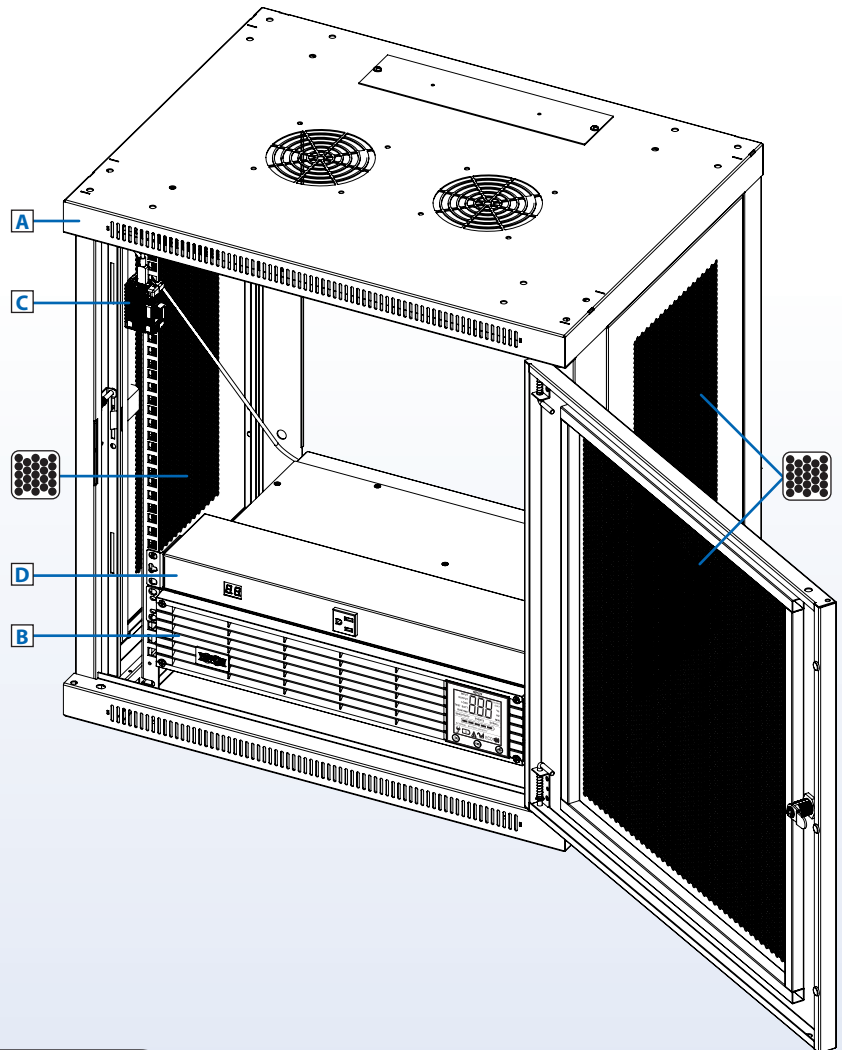
Benefits

- Provides preconfigured IT infrastructure for edge computing servers, storage and network hardware in locations without available floor space
- Integrates secure rack space, reliable power distribution, battery backup, remote management and optional cooling
- Prevents configuration errors, reduces installation time, decreases field costs and standardizes edge computing infrastructure
- Kit ships three business days from receipt of order, after design validation by solution experts in a controlled environment

Included Hardware

- A** **SRW12U** Wall-Mount Rack Enclosure
- B** **SMART1500RM2UN** SmartPro® UPS System with Pre-Installed **WEBCARDLX** Network Management Card
- C** **E2MTHDI** Environmental Sensor (Temperature/Humidity/Digital Inputs)
- D** **PDUMH15-6** Metered PDU

See Next Page for Customization Options



Specifications

Model (Kit)	MDK1W09UPX00000
Model (Assembled/Tested)	Not Available for Wall-Mount Units
Output Power Capacity	1.5 kVA/1.35 kW/11.25A Max
Rack Space	12U Total; 9U Usable
Weight Capacity	200 lb. (90 kg) Total; 100 lb. (45 kg) Usable
Maximum Device Depth	16.5 in. (419 mm)
Site Power Requirements	120V, 15A, 50/60 Hz
Site Outlet Required	NEMA 5-15R
UPS Type	Line-Interactive with Sine Wave Output
Runtime (50%/100% Load)	13/4.5 min.
High-Availability Features	Automatic Voltage Regulation (AVR); Battery Backup; Hot-Swappable Batteries
Usable Outlets (UPS + PDU)	(20) NEMA 5-15R
Dimensions (Assembled)	25.1 x 23.63 x 17.7 in. (637 x 600 x 449 mm)
Weight (Assembled)	100 lb. (45 kg)
Warranty*	2-Year Limited Warranty (Extendable)

* Any component with a warranty longer than 2 years will be covered by the longer warranty.



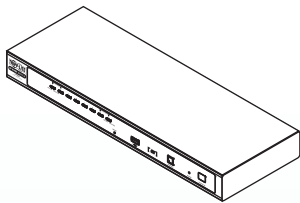
Powering and Connecting Your World

Unlimited Micro Data Center Customization

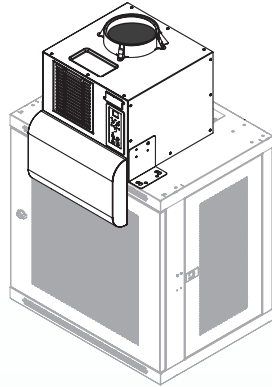
Tripp Lite's solutions team is standing by to help you tailor your EdgeReady™ micro data center to match the business and technology requirements of your edge deployment strategy. We ship custom solutions in as little as five business days.

We can help you customize your EdgeReady™ micro data center in several ways:

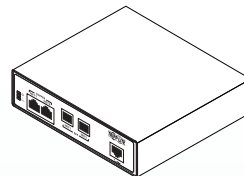
- Quick and easy customization via stocked add-on accessories for the base configurations
- Upgrades to included components of base configurations with stocked alternatives
- Customization of individual components like racks, PDUs and cables (increases lead time)



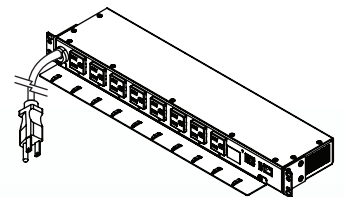
B022-U08-IP
1U KVM Switch with 8 Ports
and Remote Access



SRCOOL2KWM
Top-Mounted
Air Conditioning Unit
(0.6 kW)



B093-004-2E4U
4-Port Console Server
with Modem Support for
Fail-Safe Access



PDUMH15NET2LX
1U Switched PDU
with Remote Current
Monitoring, Alerts and
Outlet Control

Optional Accessories, Sold Separately (Visit www.tripplite.com to see the full selection.)

Switched PDU	PDUMH15NET2LX with (8) NEMA 5-15R; 1U (Replaces standard PDU.)
Cooling	SRCOOL2KWM (0.6 kW; Top-Mount; NEMA 5-15P)
KVM Switch	B022-U08-IP
Console Server	B093-004-2E4U
Door Monitoring Kit	SRSWITCH (Monitors Front/Rear Doors)
Airflow Management	SR1UPANEL10 and/or SR1UBRUSH
Cable Managers	40+ Horizontal, Vertical and External Cable Management Options at tripplite.com
Power Cords	Match to IT Equipment; 250+ Power Cord Options at tripplite.com
Network Cables	Match to IT Equipment; 1,000+ Copper and Fiber Network Cable Options at tripplite.com
Patch Panels	60+ Copper and Fiber Patch Panel Options at tripplite.com
Additional Sensors	E2MT (Up to 3 Sensors Total per WEBCARDLX to Monitor Top/Middle/Bottom Temperature)

1111 W. 35th Street, Chicago, IL 60609 USA | 773.869.1236 | www.tripplite.com



Powering and Connecting Your World