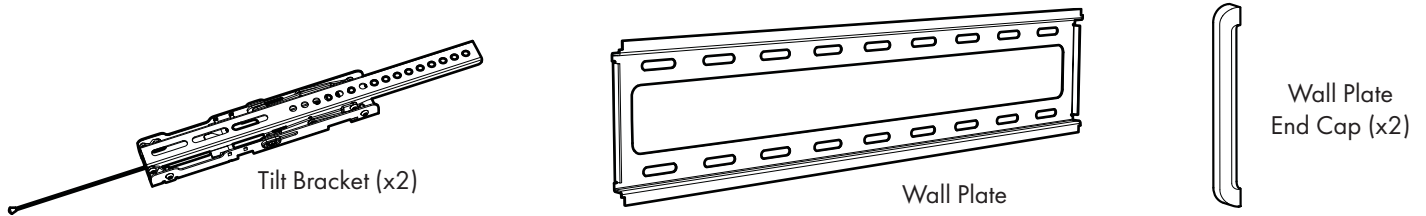


Component Checklist



Tools Required	Display Mounting Hardware						Wall Mounting Hardware		
<ul style="list-style-type: none"> Power Drill Phillips Head Screwdriver 5mm (1/4") Drill Bit 10mm (3/8") Masonry Drill Bit 13mm (1/2") Socket Wrench or Shifter 	A1 M4x12/25 (x4 each)	A2 M5x12/25 (x4 each)	A3 M6x12/25 (x4 each)	A4 M8x16/25 (x4 each)	A5 M8 Spacer (x4 each)	A6 Multi Washer (x4 each)	B1 Coach Screw (x4 each)	B2 Nylon Anchor (x4 each)	B2 Washer (x4 each)

IMPORTANT INFORMATION

! IMPORTANT Install Telehook TH-3065-LPT Wall Mount as per the Installation Instructions

! This product supports a maximum load of 40Kg (88 lbs).

! This product only supports displays with mounting hole configurations from 100mm x 100mm (min.) to 600mm x 400mm (max.).

! The manufacturer does not accept responsibility for incorrect installation.

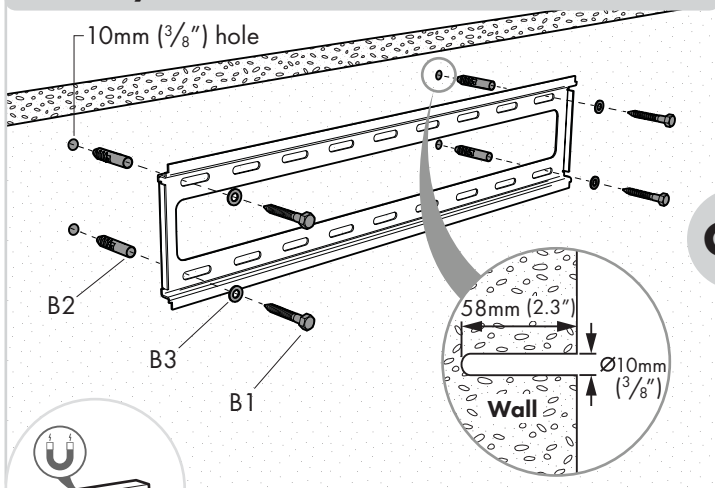
! Before installing this Telehook product, please check the display ventilation requirements with your LED/LCD manufacturer.

Step 1. Check Components

Check you have received all parts by comparing supplied parts against the Component Checklist and Hardware lists above.

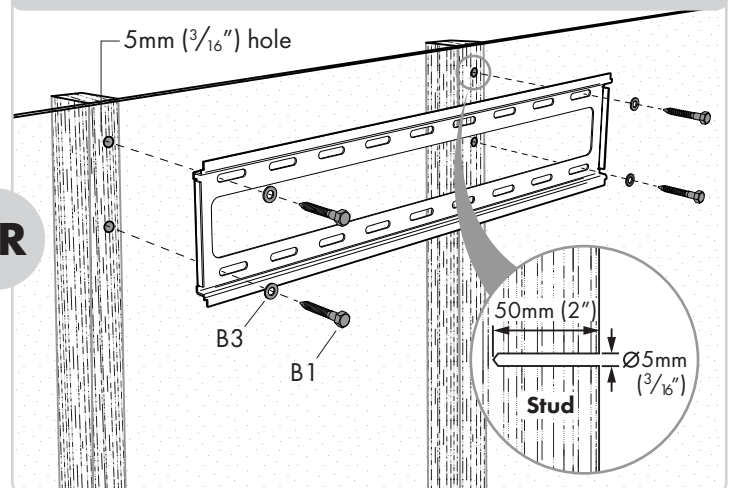
Step 2. Mount the Wall Plate

Masonry Wall



Tip: Use the supplied magnetic bubble level to ensure wall plate is horizontal.

Timber Stud



Note: Use a stud finder to accurately locate the centre of each stud. Ensure that all four screws are fixed securely into the studs.

Step 3. Attach Tilt Brackets to Screen

A1 | A2 | A3 | A4

Mounting Screw

A6 Multi-washer

For M8 Screws

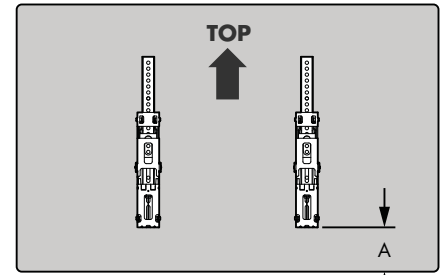
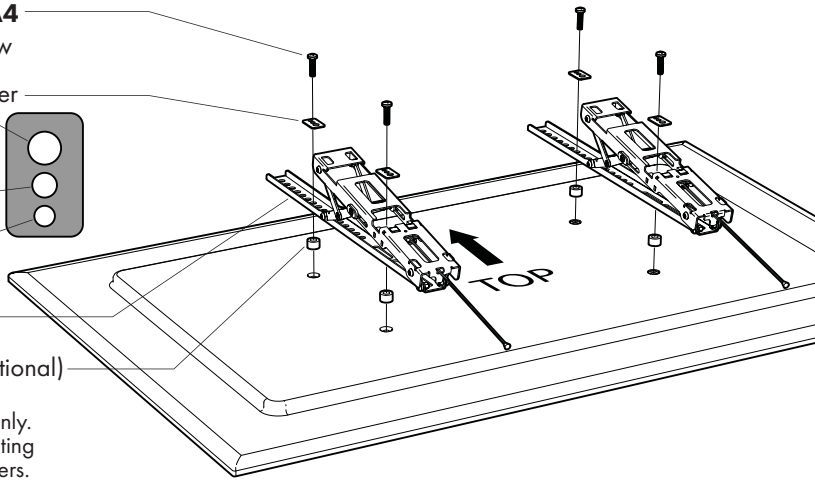
For M5 & M6 Screws

For M4 Screws

Tilt Bracket

A5 Spacer (optional)

Use for recessed mounting holes only. Use longer mounting screws with spacers.

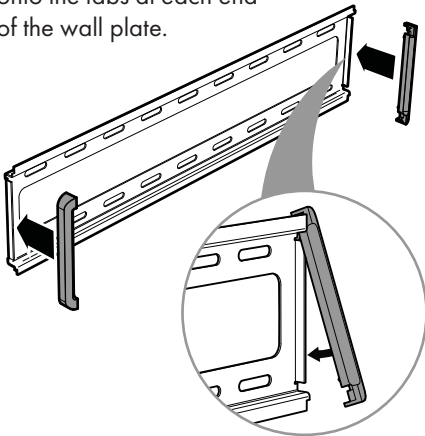


Rear View of Screen

Note: If dimension 'A' is larger than 195mm (7.68") the maximum tilt shown in Step 8 will be reduced.

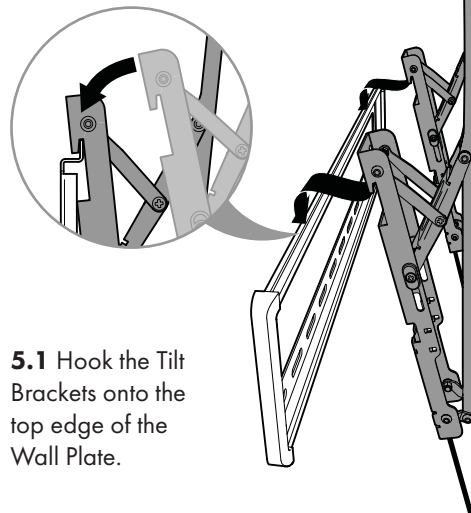
Step 4. Attach End Caps

Push each of the End Caps onto the tabs at each end of the wall plate.

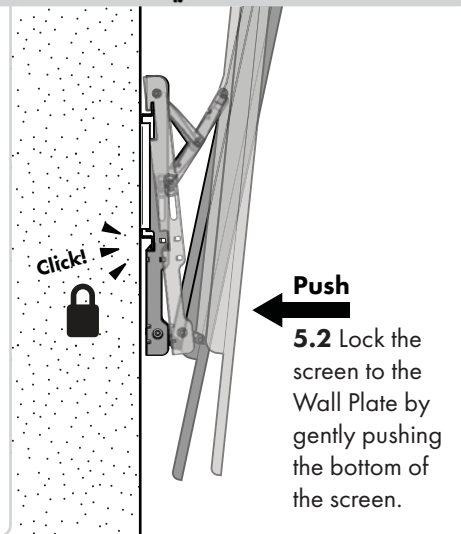


Step 5. Attach Screen to Wall Plate

x2 (two people required)



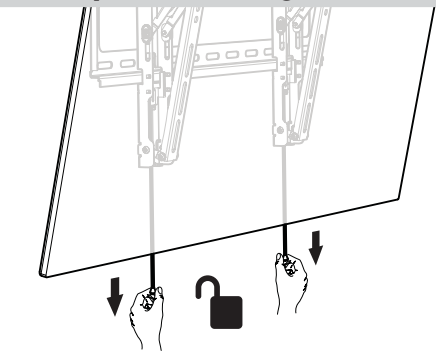
5.1 Hook the Tilt Brackets onto the top edge of the Wall Plate.



Push

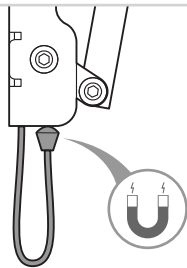
5.2 Lock the screen to the Wall Plate by gently pushing the bottom of the screen.

Step 6. Unlocking Screen

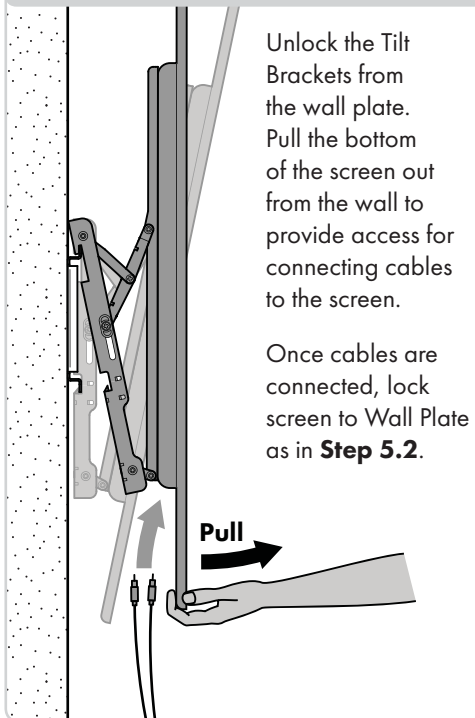


Pull down both strings to unlock the Tilt Brackets from the Wall Plate.

TIP: Hide strings by sticking magnetic pendants onto the Tilt Brackets behind the screen.



Step 7. Cable Management

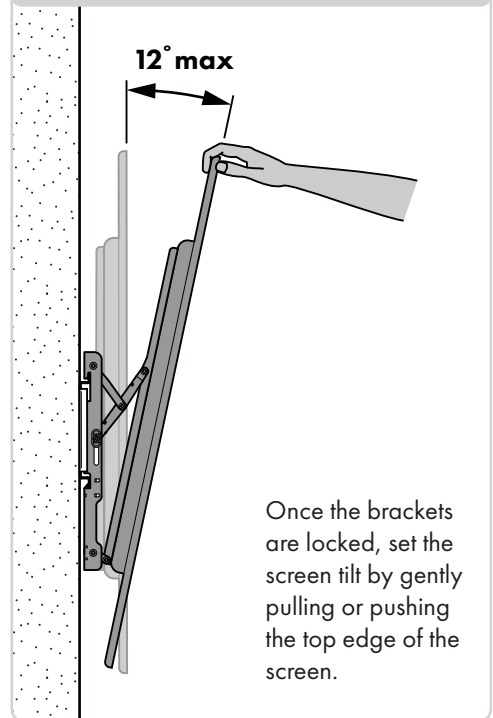


Unlock the Tilt Brackets from the wall plate. Pull the bottom of the screen out from the wall to provide access for connecting cables to the screen.

Once cables are connected, lock screen to Wall Plate as in Step 5.2.

Pull

Step 8. Set Screen Tilt



12° max

Once the brackets are locked, set the screen tilt by gently pulling or pushing the top edge of the screen.

Installation Complete



No portion of this document or any artwork contained herein should be reproduced in any way without the express written consent of Atdec Pty Ltd. Due to continuing product development, the manufacturer reserves the right to alter specifications without notice. Published 18.08.15 ©