

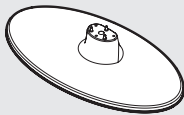
LCD TV

QUICK SETUP GUIDE

The Supplied Accessories

- Remote Control & Batteries (AAA x 2)
- Owner's Instructions
- Cleaning Cloth
- Power Cord

See separate guide for installing the stand.

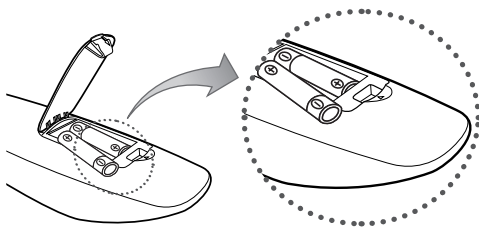


- Stand (1EA)



- Screws (3EA)

Installing Batteries in the Remote Control



NOTE

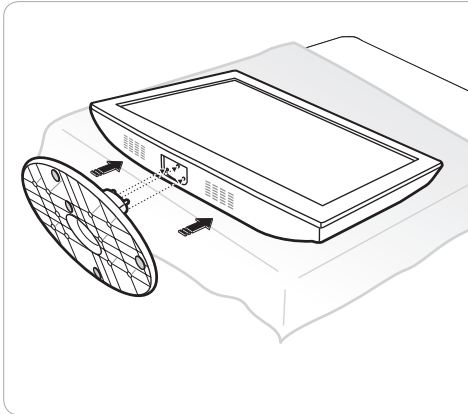
- Use the remote control within 23 feet from the TV.
- Bright light may affect the performance of the remote control. Avoid using nearby special fluorescent light or neon signs.
- The colour and shape may vary depending on the model.



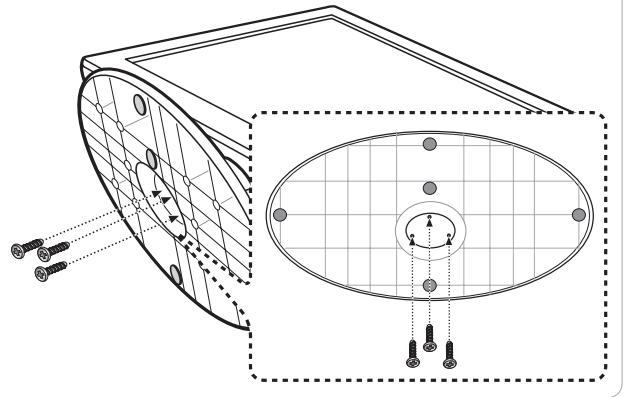
BN68-02686-00

Installing the Stand

Step 1

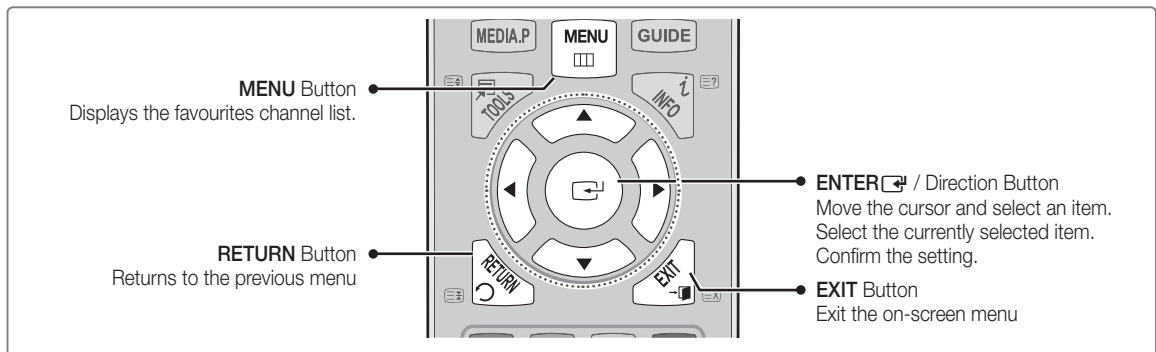


Step 2



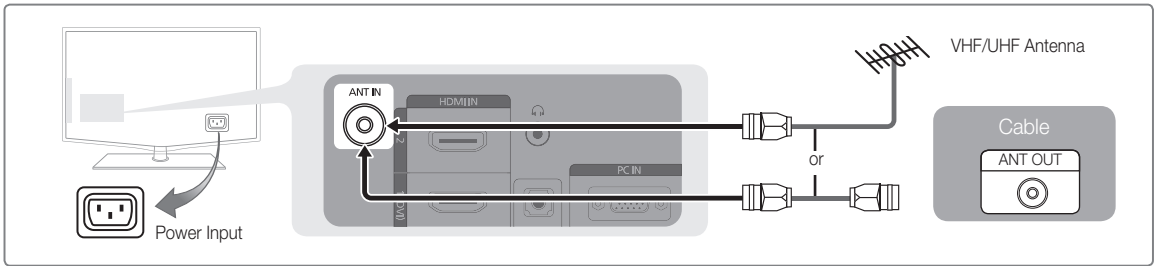
- Make sure to distinguish between the front and back of the Stand and Guide Stand when assembling them.
- Make sure that at least two persons lift and move the LCD TV.
- Lay the product down, with the screen facing up and fasten the screws.

Using the remote control buttons



Plug & Play

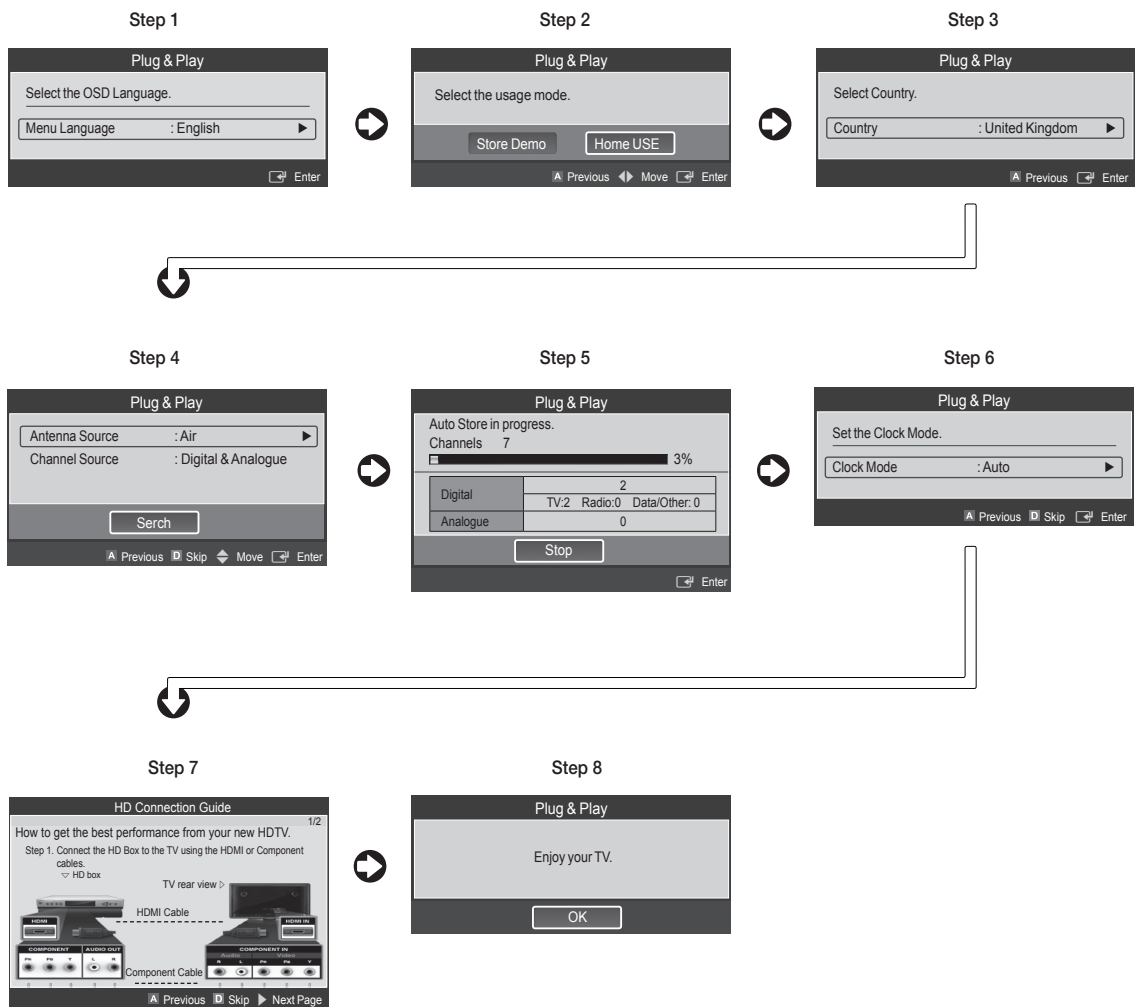
When the TV is initially powered on, basic settings proceed automatically and subsequently. If you want to reset this feature, press the **MENU** button to display menu. You can set the Plug & Play by selecting **Setup** → **Plug & Play**.



On the screen, you can set as follows.



The each step may vary depending on the Antenna source.



★ HD connection

Using an HDMI Cable

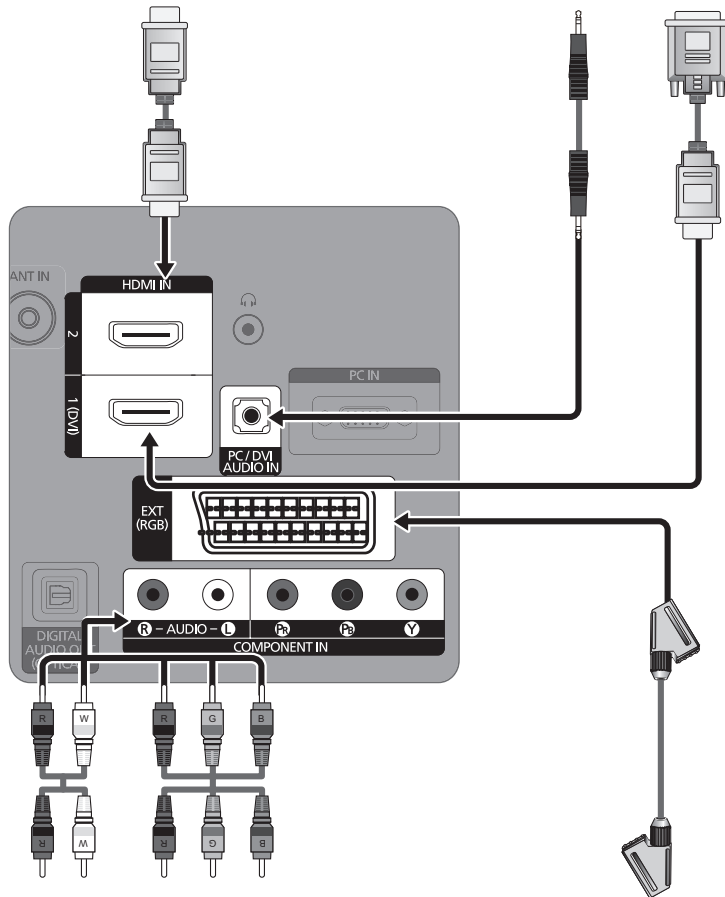
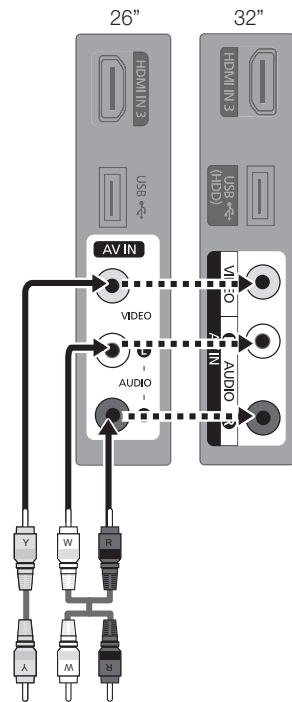
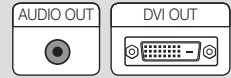
DVD / Blu-Ray player / HD Cable Box / HD Satellite receiver (STB)



★ HD connection

Using a DVI Cable

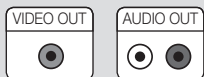
DVD / Blu-Ray player / Cable Box / Satellite receiver (STB)



Audio/Video connection

Using an Audio/Video Cable

VCR



Component connection

Using a Component Cable

DVD / Blu-Ray player / Cable Box / Satellite receiver



Using a Scart Cable

VCR / DVD

