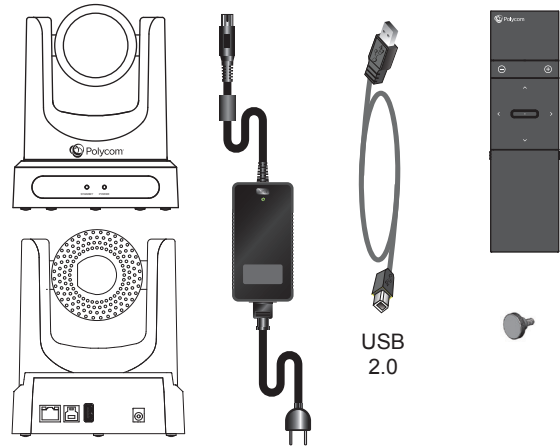


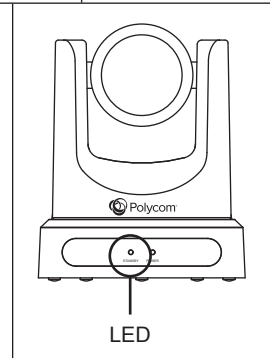
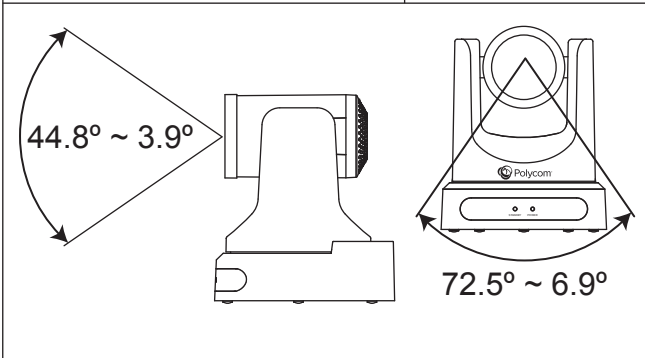
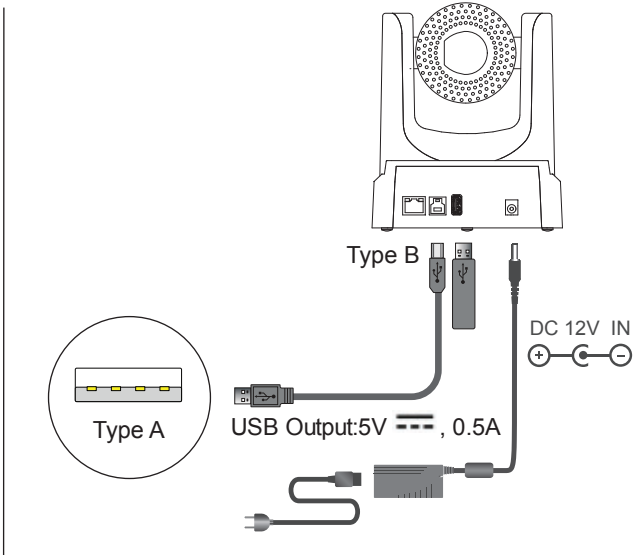
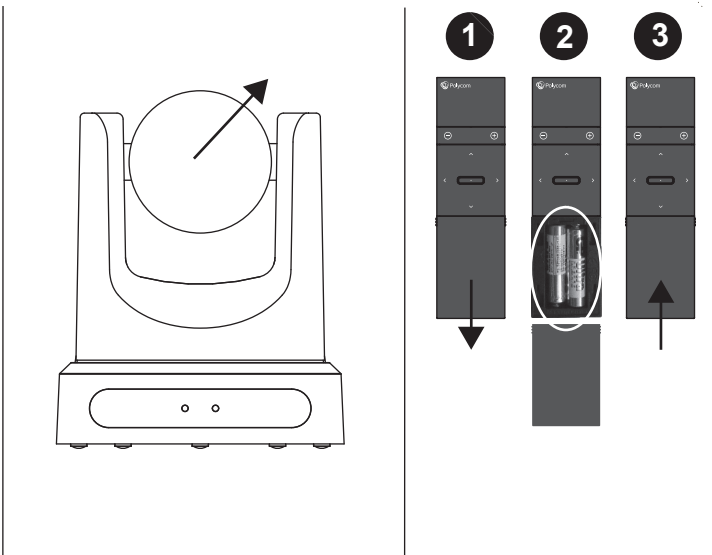
Polycom® EagleEye™ MSR Camera



In addition, the label was placed on the bottom. The battery must not be exposed to excessive heat such as sunshine, fire, or the like.

Correct disposal of this product: this symbol indicates that this product must not be disposed of with household waste, according to the WEEE Directive (2012/19/EU) and your national law. This product should be taken to a collection center licensed for the recycling of waste electrical and electronic equipment (EEE). The mishandling of this type of waste could have a possible negative impact on the environment and human health due to potentially hazardous substances that are generally associated with EEE. At the same time, your cooperation in the correct disposal of this product will contribute to the efficient use of natural resources. For more information about where you can take your waste equipment for recycling, please contact your local city office, or your household waste collection service.

Operating: -10° - 40°C (14° - 104°F)
 Storage: -40° - 60°C (-40° - 140°F)



By using this product, you are agreeing to the terms of the End User License Agreement (EULA) at: <http://documents.polycom.com/indexes/licenses>. If you do not agree to the terms of the EULA, do not use the product, and you may return it in the original packaging to the seller from whom you purchased the product.

Product Documentation

Documentation du produit
 Documentación del producto
 Documentação do produto
 Produktdokumentation

Documentazione del prodotto
 Produktdokumentasjon
 Termékdokumentáció
 Dokumentacija produktu
 Документация продукта
 製品マニュアル
 产品文档
 产品说明文件
 제품 설명서

Use only power supplies listed in the manual.
 PSU Model: AD040RHAN2-PLY3
 PSU Manufacturer: Sparkle Power, Inc.

