

# Lexmark X940e



**LEXMARK**<sup>TM</sup>

# Lexmark X940e MFP

The Lexmark X940e MFP departmental network color multifunction solution includes print, color copy, fax and



## In the Box

### Lexmark X940e

- 1-Tray Cabinet
- 13,000-page Black Toner Cartridge<sup>1</sup>
- 12,000-page Cyan, Magenta and Yellow Toner Cartridges<sup>1</sup>
- 80+GB Hard Disk
- Photoconductor Kit
- Setup Sheets
- Software / Documentation CD
- Warranty Sheet
- Supplies Use and Return Flyer
- Phone cord
- Power Cord

## Product Specifications

<b>Part Number</b>	21Z0200
<b>Product Class</b>	Departmental Laser MFP
<b>Print Speed</b>	<b>Black:</b> Up to 40 ppm; <b>Color:</b> Up to 30 ppm
<b>Time to First Page</b>	<b>Black:</b> As fast as 5.2 seconds; <b>Color:</b> As fast as 10 seconds
<b>Resolution</b>	2400 image quality
<b>Processor</b>	1.25GHz
<b>Memory (std./max.)</b>	512MB/1024MB
<b>Connectivity</b> Standard Optional	Gigabit Ethernet, USB, USB Direct Interface, 1 Internal Solutions Port Wireless, Fiber Optic, Parallel, Serial
<b>Printer Languages</b>	PostScript 3 and PCL 6 emulations, PPDS Migration Tool
<b>Direct Print Formats</b>	PDF v1.6 emulation, HTML Direct Image Space, .jpg, .tif, .gif, .bmp, .png, .pcx, .dxc
<b>Fonts</b>	<b>PCL 6:</b> 89 scalable, includes OCR-A, OCR-B and Code 3 of 9 bar codes; 2 bitmapped; <b>PostScript:</b> 158 scalable; <b>PPDS:</b> 39 scalable, 5 bitmapped
<b>Operating Systems</b>	Windows, Linux, UNIX, Mac, NetWare and OS/400
<b>Copy</b>	Reduce/enlarge (25-400%), paper saver (2-up and 4-up), collation, darkness adjustment, original size to output size selection, copy select 1-999, date/time stamp, single-pass duplex, message overlay, priority copy (job interrupt), copy countdown
<b>Fax</b>	Speed: 33.6 bps max.; transmission speed: approximately 3 seconds per page; resolution: 200 x 100 dpi, 200 x 200 dpi, 300 x 300 dpi, 400 x 400 dpi; fax redirect, group fax, manual fax, fax from PC, up to 512-character shortcuts, fax preservation, LDAP lookup, Caller ID, speed dials, block junk faxes
<b>Scan</b>	Output resolutions: up to 600 x 600 dpi black, up to 300 x 300 dpi color; scan destinations: Network TWAIN, USB Direct Interface, e-mail, FTP, LDSS, Scan-to-PC; File Formats: TIFF, JPG, PDF; legal-size from flatbed; duplex scanning
<b>Acoustics</b>	<b>Printing:</b> 52 dBA; <b>Copying:</b> 53 dBA; <b>Scanning:</b> 54 dBA; <b>Idle:</b> 34 dBA
<b>Size (WxDxH)</b>	26 in. x 31.9 in. x 45.4 in. (650 mm x 810 mm x 1,153 mm)
<b>Weight</b>	383 lb. (173 kg)
<b>Duty Cycle</b>	150,000 pages per month

## Media Specifications

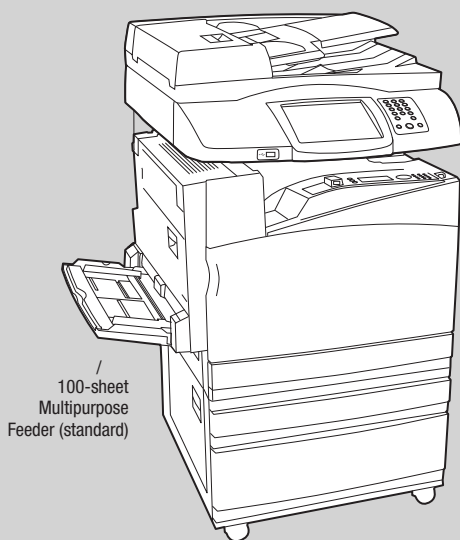
<b>Paper Capacity (sheets)</b> Standard Maximum	<b>Input:</b> 1,140 (1,040 + 100 MPF); <b>Output:</b> 400 <b>Input:</b> 1,140 (1,040 + 100 MPF); <b>Output:</b> 3,500 (500 + 3000)
<b>Paper Sources</b> Standard Maximum	<b>Input:</b> 2; <b>Output:</b> 1 <b>Input:</b> 2; <b>Output:</b> 3
<b>Media Information</b> Types Size Weight	Plain paper, paper labels, card stock, transparencies, envelopes Letter, Legal, Tabloid, A4, A5, A3, JIS B5, JIS B4, Executive, Folio, Statement, Universal (3.9 in. x 17 in. to 5.5 in. x 11.7 in.), envelopes (7 3/4, 10, DL, C5) <b>Plain paper:</b> 17 to 28 lb. (60 to 220 g/m <sup>2</sup> ); <b>Card stock:</b> up to 110 lb. (220 g/m <sup>2</sup> )

## Shipping Dimensions

**Lexmark X940e MFP**  
26.1 in. x 36.4 in. x 58.3 in.  
476 lb.

## Part Numbers

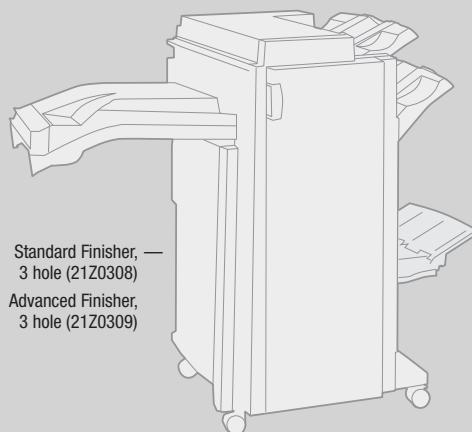
<b>Supplies</b>	36,000-page Black Toner Cartridge <sup>1</sup>	X945X2KG
	22,000-page Cyan Toner Cartridge <sup>1</sup>	X945X2CG
	22,000-page Magenta Toner Cartridge <sup>1</sup>	X945X2MG
	22,000-page Yellow Toner Cartridge <sup>1</sup>	X945X2YG
	Black Photoconductor Kit	C930X72G
	3-pack Color Photoconductor Kit	C930X73G
	30,000-page Waste Toner Box	C930X76G
	Advanced Booklet Staples	21Z0357
	Staple Cartridge, 3 pack	25A0013
	Routine Maintenance Items	
	100,000-page Maintenance Kit	40X4031
600,000-page Maintenance Kit	40X4032	
150,000-page ADF Maintenance Kit	40X4033	
<b>Memory Options</b>	128MB SDRAM	13N1523
	256MB SDRAM	13N1524
	512MB SDRAM	13N1526
	32MB Flash Card	1021208
	64MB Flash Card	1021209
<b>Warranty</b>	1-year Next Business Day Onsite Repair	Base
	1-year Next Business Day Onsite Repair extended warranty	2349452
	2-year Next Business Day Onsite Repair extended warranty	2349453
	3-year Next Business Day Onsite Repair extended warranty	2349454



100-sheet  
Multipurpose  
Feeder (standard)

— 520-sheet Drawer  
(standard)

— 520-sheet Drawer with  
Cabinet (standard)



Standard Finisher, —  
3 hole (21Z0308)

Advanced Finisher,  
3 hole (21Z0309)

<sup>1</sup> Average continuous black or continuous composite CMY declared cartridge yield up to this number of standard pages in accordance with ISO/IEC 19798.

## Additional Part Numbers

<b>Solutions</b>	Traditional Chinese Font Card	1021242
	Simplified Chinese Font Card	1021241
	Japanese Font Card	1021243
	Korean Font Card	1021240
	Bar Code Card and Forms Card	21Z0367
	PrintCryptio™ Card	21Z0370
	Card for IPDS and SCS/Tne	21Z0368
<b>Connectivity</b>	Internal Print Servers <sup>1</sup>	
	MarkNet™ N8030 Fiber Ethernet	14S0220
	MarkNet N8050 802.11g Wireless	14S0165
	External Print Servers <sup>2</sup>	
	N4050e 802.11g Wireless	14T0145
	Local Connections	
RS-232C Serial Interface Card	1021092	
Parallel 1284-B Interface Card	1021091	
<b>Cables</b>	6-foot USB Cable	1021294
	10-foot Parallel Cable	1021231
<b>Media</b>	Glossy Paper (letter, 200 sheets)	12A5950
	Professional Color Laser Transparencies (letter, 50 sheets)	12A8240

## Terms & Conditions

Lexmark, MarkNet and Lexmark with diamond design are trademarks of Lexmark International, Inc., registered in the United States and/or other countries. PrintCryptio is a trademark of Lexmark International, Inc. PCL is a registered trademark of Hewlett Packard Company. All other trademarks are the property of their respective owners. © 2007 Lexmark International, Inc. All rights reserved.

**71K1214**

<sup>1</sup> Use of Internal Print Server disables network card resident in printer.  
<sup>2</sup> Requires USB Connection