

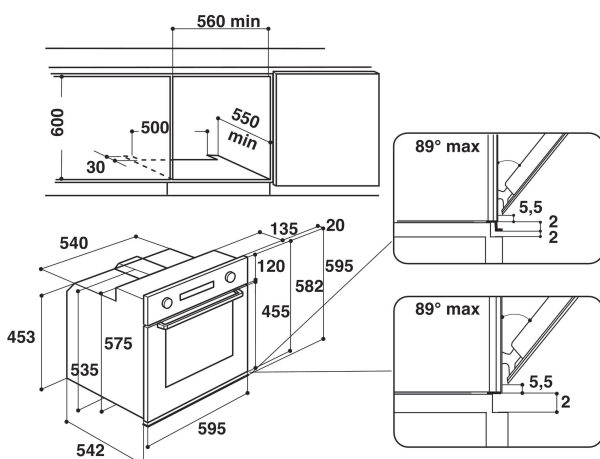
AKZ 6230 NB

12NC: 858562301720

EAN code: 8003437937842



SENSING THE DIFFERENCE



MAIN FEATURES

| | |
|--|---------------------------|
| Product group | Oven |
| Commercial code | AKZ 6230 NB |
| Main colour of product | Black |
| Construction type | Built-in |
| Type of control | Mechanical and electronic |
| Type of control setting and signalling devices | - |
| Are any hobs controls integrated? | No |
| Which kind of hobs can be controlled? | - |
| Automatic programmes | Yes |
| Current (A) | 16 |
| Voltage (V) | 220-240 |
| Frequency (Hz) | 50-60 |
| Length of Electrical Supply Cord (cm) | 130 |
| Plug type | No |
| Depth with open door 90 degree (mm) | - |
| Height of the product | 595 |
| Width of the product | 595 |
| Depth of the product | 564 |
| Minimum niche height | 0 |
| Minimum niche width | 0 |
| Niche depth | 0 |
| Net weight (kg) | 34 |
| Usable volume (of cavity) | 60 |
| Noise level (dB(A) re 1 pW) | 0 |
| Integrated Cleaning system | Catalytic partial |
| Grids | 1 |
| Trays | 2 |

TECHNICAL FEATURES

| | |
|-----------------------------|----------------|
| Timer | Programmable |
| Time control | Electronic |
| Time-setting options | Start and Stop |
| Safety device | - |
| Interior light | Yes |
| Number of interior lights | 1 |
| Position of interior lights | Rear |
| Oven guides | Telescopic |
| Probe | No |

PERFORMANCES

| | |
|--|-------------|
| Energy input | Electric |
| Type of energy | Electricity |
| Energy efficiency class - cavity 1 | - |
| Energy consumption conventional (kWh) | 0.89 |
| Energy consumption forced air convection (kWh) | 0.79 |