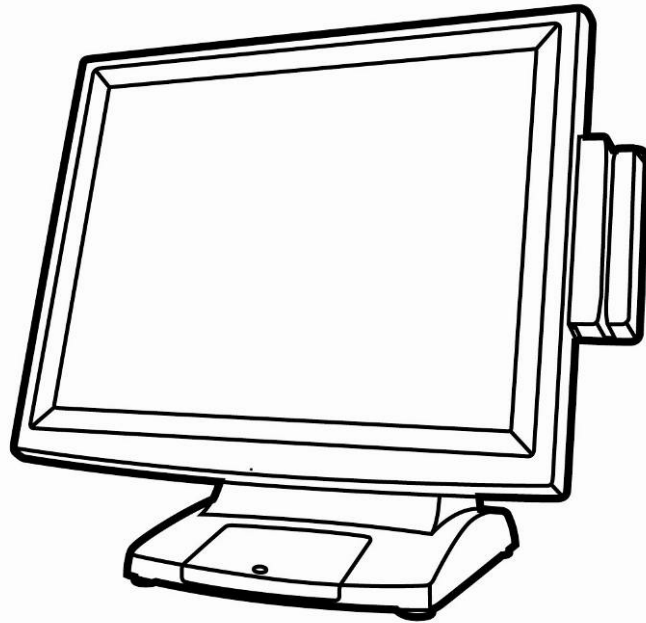


User Manual

Version 1.2 August 2014

ION-TM2B

Touchscreen Monitor



Copyright 2012
All Rights Reserved
Manual Version 1.4

The information contained in this document is subject to change without notice.

We make no warranty of any kind with regard to this material, including, but not limited to, the implied warranties of merchantability and fitness for a particular purpose. We shall not be liable for errors contained herein or for incidental or consequential damages in connection with the furnishing, performance, or use of this material.

This document contains proprietary information that is protected by copyright. All rights are reserved. No part of this document may be photocopied, reproduced or translated to another language without the prior written consent of the manufacturer.

TRADEMARK

Trademarks mentioned herein are the property of their respective owners.

Safety

IMPORTANT SAFETY INSTRUCTIONS

1. To disconnect the machine from the electrical Power Supply, turn off the power switch and remove the power cord plug from the wall socket. The wall socket must be easily accessible and in close proximity to the machine.
2. Read these instructions carefully. Save these instructions for future reference.
3. Follow all warnings and instructions marked on the product.
4. Do not use this product near water.
5. Do not place this product on an unstable cart, stand, or table. The product may fall, causing serious damage to the product.
6. Slots and openings in the cabinet and the back or bottom are provided for ventilation; to ensure reliable operation of the product and to protect it from overheating. These openings must not be blocked or covered. The openings should never be blocked by placing the product on a bed, sofa, rug, or other similar surface. This product should never be placed near or over a radiator or heat register, or in a built-in installation unless proper ventilation is provided.
7. This product should be operated from the type of power indicated on the marking label. If you are not sure of the type of power available, consult your dealer or local power company.
8. Do not allow anything to rest on the power cord. Do not locate this product where persons will walk on the cord.
9. Never push objects of any kind into this product through cabinet slots as they may touch dangerous voltage points or short out parts that could result in a fire or electric shock. Never spill liquid of any kind on the product.

CE MARK



This device complies with the requirements of the EEC directive 2004/108/EC with regard to “Electromagnetic compatibility” and 2006/95/EC “Low Voltage Directive”

FCC

This device complies with part 15 of the FCC rules. Operation is subject to the following two conditions:

- (1) This device may not cause harmful interference.
- (2) This device must accept any interference received, including interference that may cause undesired operation



Safety Caution

Note: To comply with IEC60950-1 Clause 2.5 (limited power sources, L.P.S) related legislation, peripherals shall be 4.7.3.2 "Materials for fire enclosure" compliant.

4.7.3.2 Materials for fire enclosures

For MOVABLE EQUIPMENT having a total mass not exceeding 18kg, the material of a FIRE ENCLOSURE, in the thinnest significant wall thickness used, shall be of V-1 CLASS MATERIAL or shall pass the test of Clause A.2.

For MOVABLE EQUIPMENT having a total mass exceeding 18kg and for all STATIONARY EQUIPMENT, the material of a FIRE ENCLOSURE, in the thinnest significant wall thickness used, shall be of 5VB CLASS MATERIAL or shall pass the test of Clause A.1

LEGISLATION AND WEEE SYMBOL

2012/19/EU Waste Electrical and Electronic Equipment Directive on the treatment, collection, recycling and disposal of electric and electronic devices and their components.



The crossed dustbin symbol on the device means that it should not be disposed of with other household wastes at the end of its working life. Instead, the device should be taken to the waste collection centers for activation of the treatment, collection, recycling and disposal procedure.

To prevent possible harm to the environment or human health from uncontrolled waste disposal, please separate this from other types of wastes and recycle it responsibly to promote the sustainable reuse of material resources.

Household users should contact either the retailer where they purchased this product, or their local government office, for details of where and how they can take this item for environmentally safe recycling.

Business users should contact their supplier and check the terms and conditions of the purchase contract.

This product should not be mixed with other commercial wastes for disposal.

Revision History

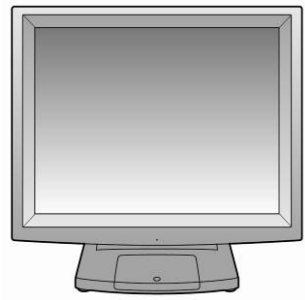
Revision	Date	Description
V1.4	August, 2014	● removed TM2A

Table Contents

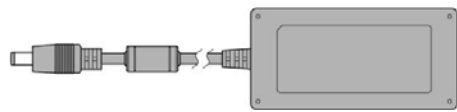
1 Package Checklist.....	1
1-1 Standard Items.....	1
1-2 Optional Items	2
2 System View	3
2-1 Front View	3
2-2 Rear View	4
2-3 Bottom View.....	5
2-4 I/O View.....	6
3 Peripheral Installation.....	7
3-1 MSR.....	7
3-2 VFD.....	8
4 System Assembly & Disassembly.....	11
4-1 Remove the System Stand	11
5 Specification	12
6 Jumper Settings	13
6-1 B19 AD board Layout	13
6-2 Connectors and Functions.....	14
6-3 Jumper Setting	15
7 Driver Installation	16

1 Package Checklist

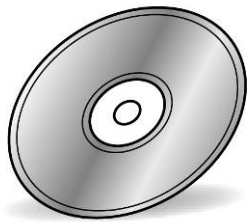
1-1 Standard Items



a. System



b. Power adapter (36W)



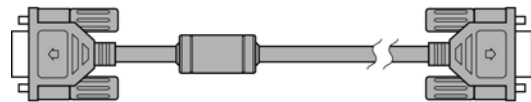
c. Driver CD



d. USB Cable for touch

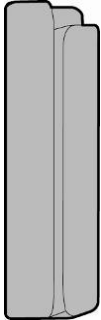


e. Power cable

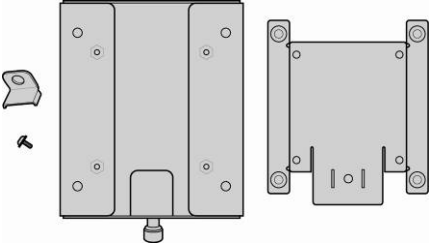


f. VGA cable

1-2 Optional Items



a. MSR module



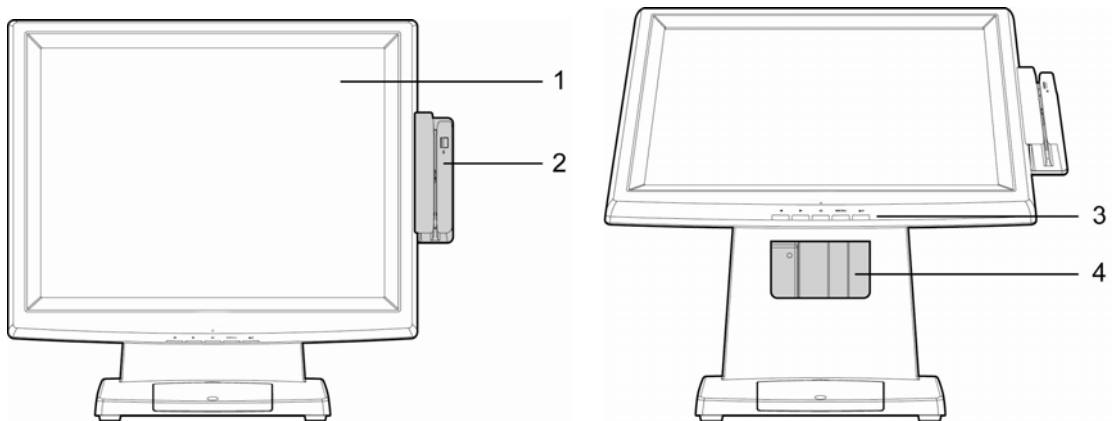
b. Wall mount kit



c. VFD module

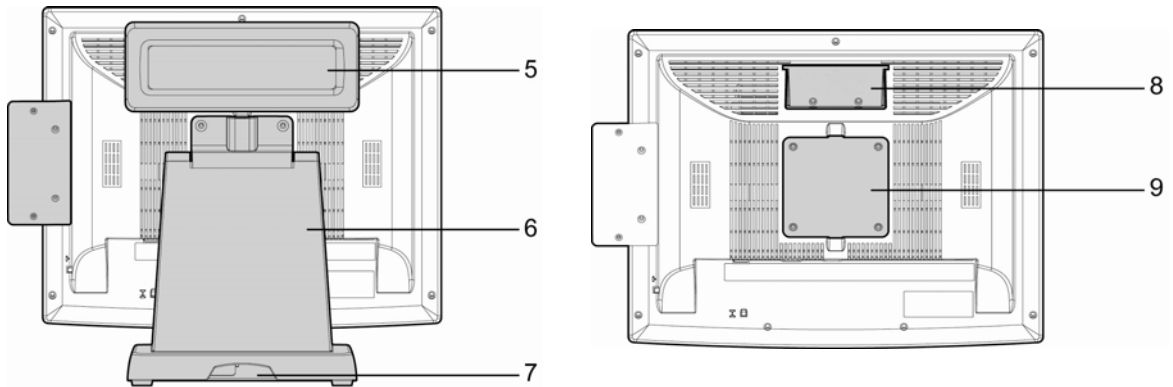
2 System View

2-1 Front View



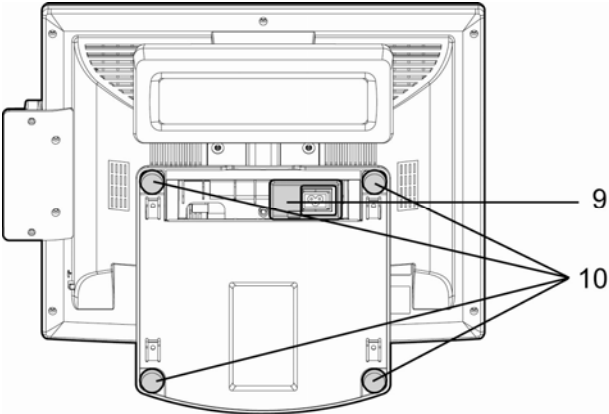
No.	Description															
1	Touch screen															
2	MSR (optional)															
3	OSD button from left to right button: <div style="text-align: center; margin: 10px 0;"> <table border="1" style="margin: auto;"> <tr> <td style="text-align: center;">▼</td> <td style="text-align: center;">▲</td> <td style="text-align: center;">⏻</td> <td style="text-align: center;">MENU</td> <td style="text-align: center;">AUTO</td> </tr> <tr> <td style="text-align: center;">■</td> <td style="text-align: center;">■</td> <td style="text-align: center;">■</td> <td style="text-align: center;">■</td> <td style="text-align: center;">■</td> </tr> <tr> <td style="text-align: center;">down</td> <td style="text-align: center;">up</td> <td style="text-align: center;">power</td> <td style="text-align: center;">OSD memu</td> <td style="text-align: center;">auto adjust</td> </tr> </table> </div>	▼	▲	⏻	MENU	AUTO	■	■	■	■	■	down	up	power	OSD memu	auto adjust
▼	▲	⏻	MENU	AUTO												
■	■	■	■	■												
down	up	power	OSD memu	auto adjust												
4	Stand hole for cable management															

2-2 Rear View



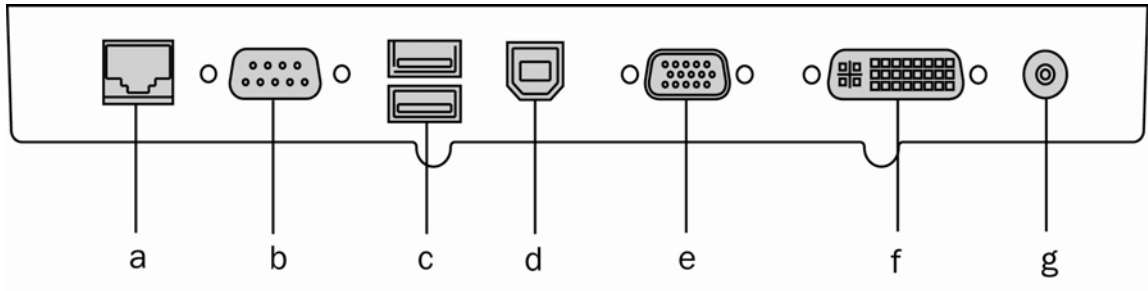
No.	Description
5	VFD module (optional)
6	Stand (with cable management and power adapter bracket)
7	Cable outlet
8	VFD cover (VFD module installation location)
9	VESA hole for stand and wall-mount kit installation

2-3 Bottom View



No.	Description
9	Easy-Service retaining bracket for power adapter
10	Rubber feet

2-4 I/O View

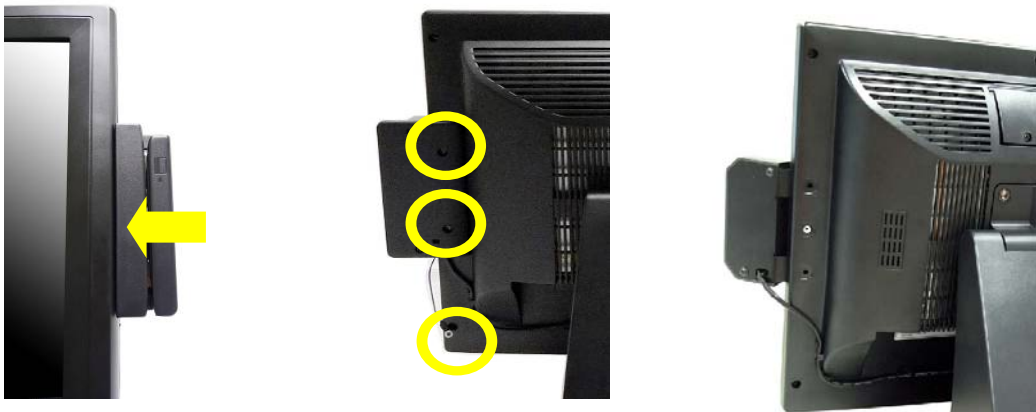
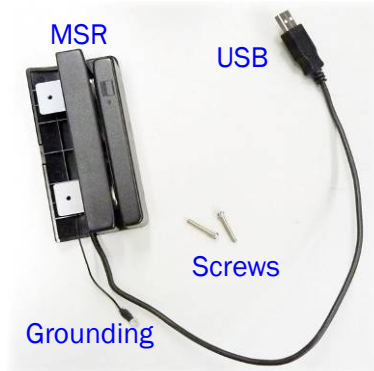


No.	Description
a	COM to VFD
b	COM to PC
c	USB out
d	USB in
e	VGA in
f	DVI in
g	DC 12V in

3 Peripheral Installation

3-1 MSR

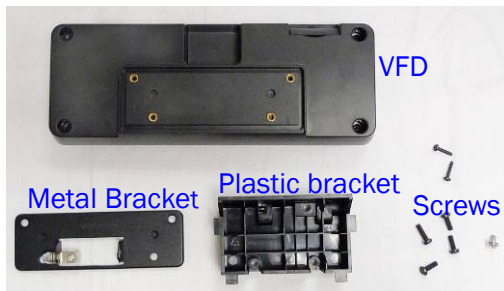
Components of MSR Kit:



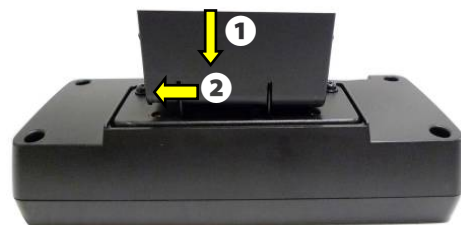
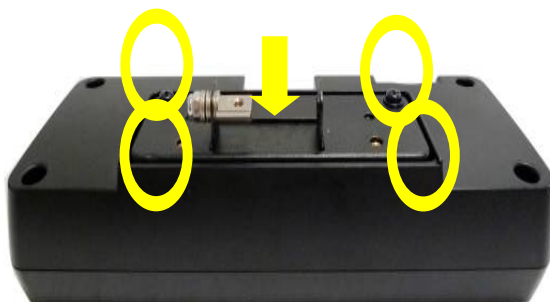
1. Slide the MSR into the right position of the system.
2. Fasten the screws (x2) and grounding cable (x1).

3-2 VFD

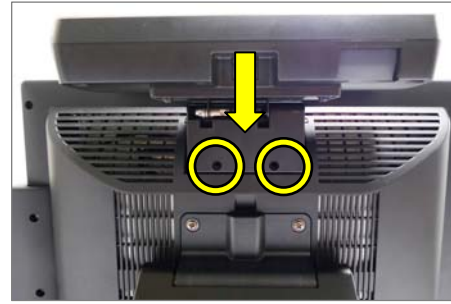
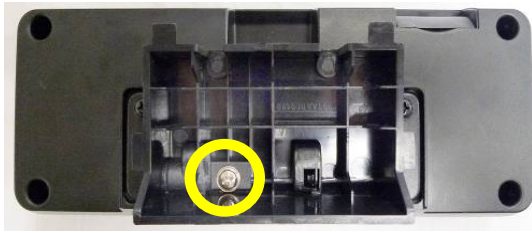
Components of VFD Kit:



1. Remove the screws (x2) and slide the VFD cover outward.



2. Position the VFD metal bracket onto the rear side of the VFD module and fasten the screws (x4).
3. Position the plastic bracket on the metal bracket as shown in the picture.



4. Fasten the screw (x1) to attach the plastic bracket to the metal bracket and VFD module.
5. Slide the VFD module with bracket into the VFD socket and fasten the screws (x2) to secure the module.



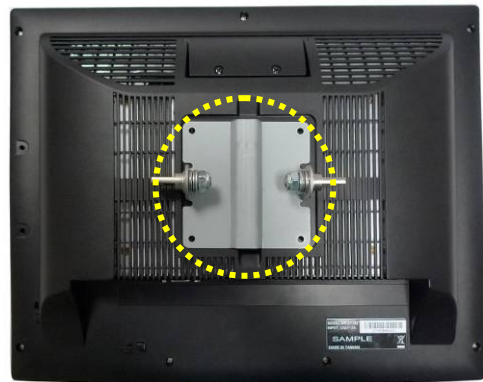
6. Connect the VFD cable to the VFD module.
7. Connect the other end of the VFD cable to the COM port on the monitor.

4 System Assembly & Disassembly

4-1 Remove the System Stand



1. Remove the screws (x2) that secure the stand to the system.



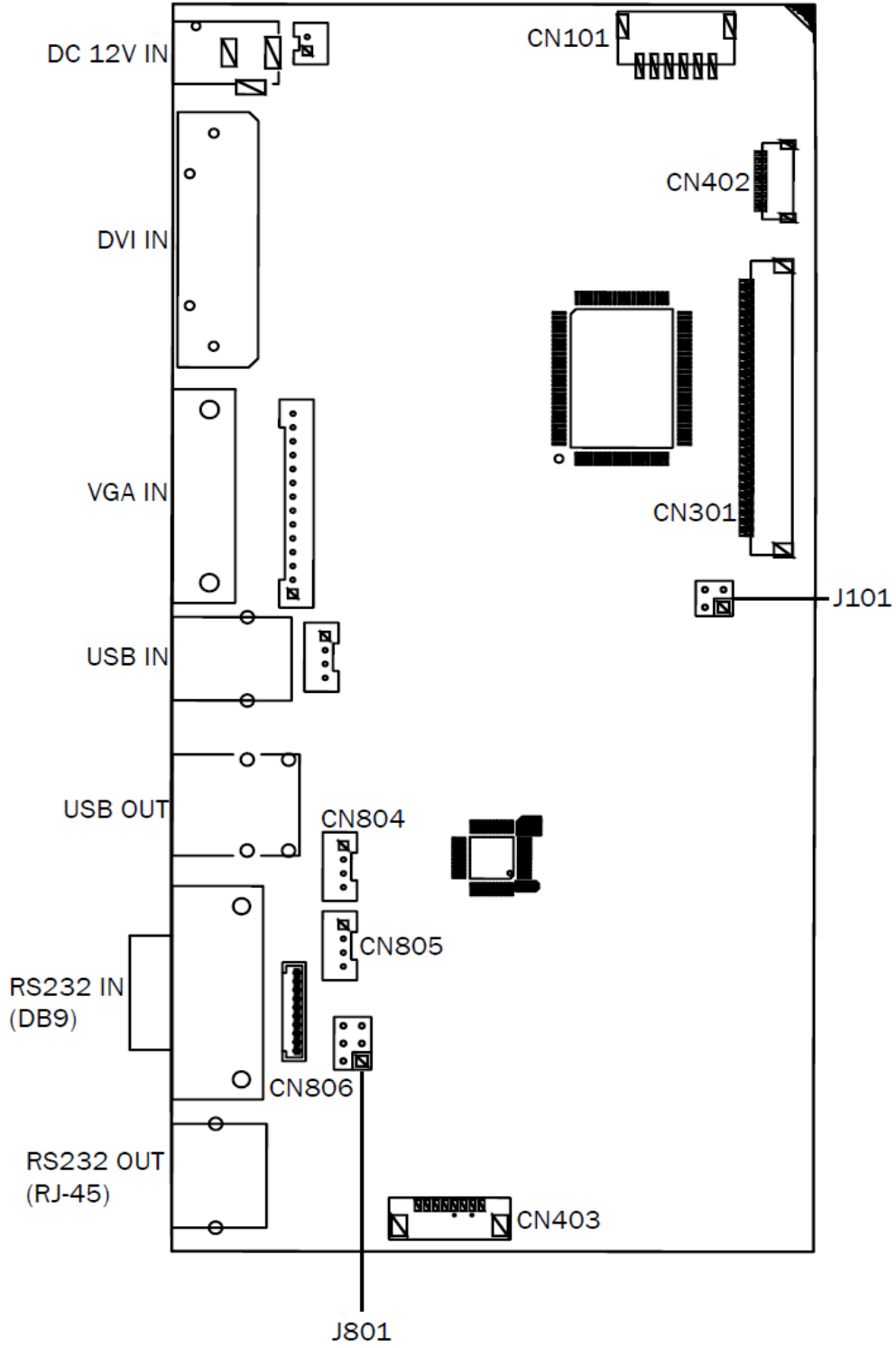
2. Remove the screws (x4) that secure the VESA mount to LCD rear cover.
3. Remove the VESA bracket.

5 Specification

Model Name	ION-TM2B
AD board	B19
LCD Panel	
Panel Size	17"
Brightness	250nits
Resolution	1280 x 1024
Touch	Resistive
Tilt Angle	4° ~ 90°
External I/O Ports	
USB-IN	1 x USB 2.0 (Type B to PC)
USB-OUT	2 x USB 2.0 (Type A to Device)
VGA	1
DVI	1
Serial / COM	1 x DB-9/F type to PC, 1 x RJ-45 type to VFD
DC Jack	1
OSD Button	5 (down, up, power, menu, auto)
Power adapter	
Power Source	Adapter (DC 36W, 12V, 3A)
Control / Indicator	
Power Button	1
Indicator LED	1
Peripherals	
MSR	MSR (USB)
Customer display	2 x 20 VFD customer display (COM)
Environment	
EMC & Safety	FCC/CE Class A, LVD
Operating Temperature	0°C ~ 40°C (32 °F ~ 104 °F)
Storage Temperature	-20 °C ~ 55 °C (-4 °F ~ 131 °F)
Operating Humidity	5% to 95% RH, Non-condensing
Storage Humidity	5% to 95% RH, Non-condensing
Dimension (W x D x H)	LCD 90 degree : 399 x 218 x 382 mm
Weight (N.W./G.W.)	6kgs / 7kgs
Mounting	100mm x100mm VESA Standard

6 Jumper Settings

6-1 B19 AD board Layout



6-2 Connectors and Functions

Connector	Function
CN101	Inverter connector
CN301	LVDS connector
CN402	Keypad connector
CN403	Audio connector
CN804	USB port
CN805	USB port
CN806	COM port connector
J101	Panel power setting
J801	COM port power setting

6-3 Jumper Setting

Panel power setting

Function	J101 (1-2,3-4)				
▲ 5V	<table style="margin-left: auto; margin-right: auto;"> <tr> <td style="border: 1px solid gray; border-radius: 5px; padding: 2px;">3</td> <td style="border: 1px solid gray; border-radius: 5px; padding: 2px;">1</td> </tr> <tr> <td style="padding: 2px;">4</td> <td style="padding: 2px;">2</td> </tr> </table>	3	1	4	2
3	1				
4	2				
3.3V	<table style="margin-left: auto; margin-right: auto;"> <tr> <td style="padding: 2px;">3</td> <td style="padding: 2px;">1</td> </tr> <tr> <td style="border: 1px solid gray; border-radius: 5px; padding: 2px;">4</td> <td style="border: 1px solid gray; border-radius: 5px; padding: 2px;">2</td> </tr> </table>	3	1	4	2
3	1				
4	2				

COM jumper setting

Function	JP11 (1-2,3-4,5-6)						
▲ No power	<table style="margin-left: auto; margin-right: auto;"> <tr> <td style="padding: 2px;">3</td> <td style="padding: 2px;">2</td> <td style="border: 1px solid gray; border-radius: 5px; padding: 2px;">1</td> </tr> <tr> <td style="padding: 2px;">6</td> <td style="padding: 2px;">5</td> <td style="border: 1px solid gray; border-radius: 5px; padding: 2px;">4</td> </tr> </table>	3	2	1	6	5	4
3	2	1					
6	5	4					
5V	<table style="margin-left: auto; margin-right: auto;"> <tr> <td style="padding: 2px;">3</td> <td style="border: 1px solid gray; border-radius: 5px; padding: 2px;">2</td> <td style="padding: 2px;">1</td> </tr> <tr> <td style="padding: 2px;">6</td> <td style="border: 1px solid gray; border-radius: 5px; padding: 2px;">5</td> <td style="padding: 2px;">4</td> </tr> </table>	3	2	1	6	5	4
3	2	1					
6	5	4					
12V	<table style="margin-left: auto; margin-right: auto;"> <tr> <td style="border: 1px solid gray; border-radius: 5px; padding: 2px;">3</td> <td style="padding: 2px;">2</td> <td style="padding: 2px;">1</td> </tr> <tr> <td style="border: 1px solid gray; border-radius: 5px; padding: 2px;">6</td> <td style="padding: 2px;">5</td> <td style="padding: 2px;">4</td> </tr> </table>	3	2	1	6	5	4
3	2	1					
6	5	4					

7 Driver Installation

Driver Installation:

The shipping package includes a Driver CD. You can find every individual driver and utility that enables you to install the drivers in the Driver CD.

Please insert the Driver CD into the drive and double click on the “index.htm” to pick the models. You can refer to the drivers installation guide for each driver in the “Driver/Manual List”.