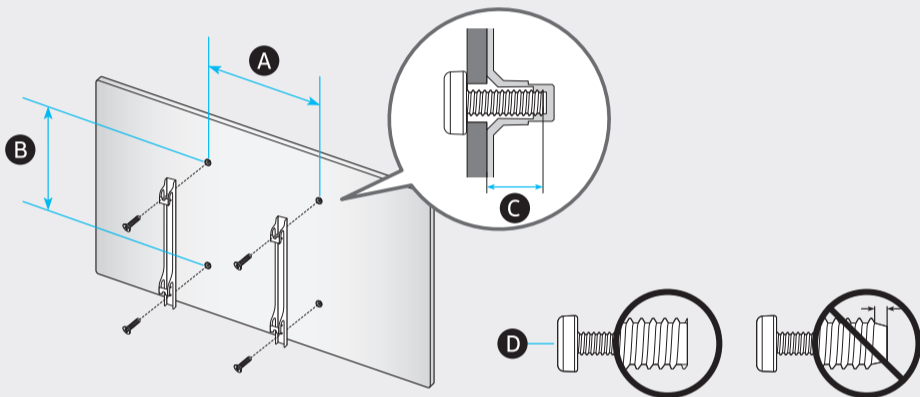


	A	B	C	D	E	F	G	H
QN50QN9*A	43.9 inches (1114.0 mm) (111.40 cm)	25.4 inches (644.9 mm) (64.49 cm)	1.1 inches (26.9 mm) (2.69 cm)	27.9 inches (708.9 mm) (70.89 cm)	8.8 inches (222.6 mm) (22.26 cm)	49.5 inches (125 cm)	30.9 lbs (14.0 kg)	41.0 lbs (18.6 kg)
QN55QN9*A	48.3 inches (1227.4 mm) (122.74 cm)	27.8 inches (706.2 mm) (70.62 cm)	1.0 inches (25.9 mm) (2.59 cm)	30.2 inches (768.0 mm) (76.80 cm)	9.3 inches (235.2 mm) (23.52 cm)	54.6 inches (138 cm)	39.0 lbs (17.7 kg)	48.2 lbs (21.9 kg)
QN65QN9*A	56.9 inches (1446.3 mm) (144.63 cm)	32.6 inches (829.3 mm) (82.93 cm)	1.0 inches (25.9 mm) (2.59 cm)	35.1 inches (891.4 mm) (89.14 cm)	11.2 inches (285.4 mm) (28.54 cm)	64.5 inches (163 cm)	53.8 lbs (24.4 kg)	69.2 lbs (31.4 kg)

*: 0-9, A-Z



	VESA A x B (mm)	C (mm)	D x 4
QN50QN9*A	200 x 200	11-13	M8
QN55QN9*A			
QN65QN9*A	400 x 300		

*: 0-9, A-Z

SAMSUNG

QUICK SETUP GUIDE

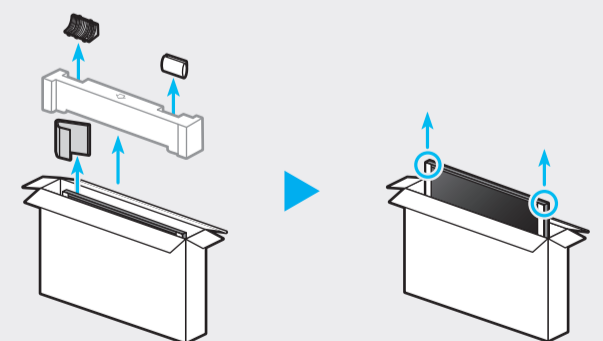
GUIDE D'INSTALLATION RAPIDE

GUÍA RÁPIDA DE CONFIGURACIÓN

GUIA RÁPIDO DE INSTALAÇÃO



50"



55"
-
65"

