

PX1005QL Installation Guide

Desktop and Ceiling Mount

Rev 1.1

Contents

Product Description, Lens Specs, Screen/Aspect Ratio	
Notes	Pg 1
Distance Charts and Formulas	Pg 2-3
Ceiling Mount/Desktop Installation	Pg 4
Lens Shift Adjustable Range	Pg 5
Cabinet Dimensions	Pg 6
Cabinet Dimensions	Pg 7
Optional Lens Dimensions	Pg 8
Ventilation Requirements/Portrait Requirements	Pg 9
Regulatory Labels	Pg 10
Input Panel and Button Panel	Pg 11
Control Codes	Pg 12



Product Description

Type:	1 chip DMD Reflection Type 0.66 in. TRP DMD	Dimensions: 19.7" (W) x 8.49" (H) x 23.0" (D)
DMD Resolution:	2716 x 1528 (16:9) WQXGA	Weight: 63.9 lbs. / 29.0kg
Output Resolution:	3840 x 2160 (16:9) UHD	Brightness: 10,000 Lumens
Fan Noise:	43 dB / 39dB @ 1 meter	
Power Consumption:	1220W (max)	BTU's: 4163 BTU/hour

Network Ready, RJ45
Powered: Lens Shift, Horizontal & Vertical /Zoom/ Focus

Lens Specifications

NP39ML-4K: Throw Ratio: ~ 0.38:1 Screen Sizes: 85"-350"	Focal Length: 11.4mm F/#: 1.85	NP19ZL-4K: Throw Ratio: 2.20 -3.67:1 Screen Sizes: 50-300"	Focal Length: 32.9 – 54.2mm F/#: 1.86 – 2.48
NP16FL-4K: Throw Ratio: ~ 0.76:1 Screen Sizes: 50"-300"	Focal Length: 11.6mm F/#: 1.85	NP20ZL-4K: Throw Ratio: 3.54 – 5.36:1 Screen Sizes: 50-300"	Focal Length: 52.8 – 79.1mm F/#: 1.85-2.41
NP17ZL-4K: Throw Ratio: 1.24 - 1.78:1 Screen Sizes: 50"-300"	Focal Length: 18.7 – 26.5mm F/#: 1.85	NP21ZL-4K: Throw Ratio: 5.25 – 8.28:1 Screen Sizes: 50-300"	Focal Length: 78.5 -121.9mm F/#: 1.85-2.48
NP18ZL-4K: Throw Ratio: 1.71 – 2.25:1 Screen Sizes: 50-300"	Focal Length: 26.0 – 34.0mm F/#: 1.70-1.90	NP31ZL-4K: Throw Ratio: 0.74 – 0.93:1 Screen Sizes: 50-300"	Focal Length: 11.3 -14.1mm F/#: 1.96-2.3

Screen/Aspect Ratio

4:3, 16:9 and 16:10 screens are fully supported with proper aspect ratio control for both type sources using NEC developed scaling technology. Menu selections have settings for each screen type and aspect ratio control for each source type.

Notes

- For screen sizes not indicated on the projection tables, use the formulas below.
If the figures on the tables do not match the results of formulas, use the figures in the table.
- Distances are in inches, for millimeters multiply by 25.4.
- Distances may vary ±5%.

PX1005QL Installation Guide

Desktop and Ceiling Mount

Rev 1.1

Formulas: 16:9 Aspect Ratio (UHD)

The Projection Formulas use the image width for calculation. Image width is the same for all aspect ratios, only vertical image size varies. For proper projector placement, determine the image width for a desired screen size. Use the Screen Formulas below to calculate all screen dimensions. Plug in the image width for "W" in the Projection Formulas.

Refer to the diagrams and charts for popular screen sizes on page 2 and 3:

Projection Formulas:

- NP16FL-4K: C = 0.794W – 1.85
- NP17ZL-4K: C(Wide) = 1.269W – 2.091 ----- C(Tele) = 1.802W – 1.910
- NP18ZL-4K: C(Wide) = 1.748W – 2.673 ----- C(Tele) = 2.290W – 2.633
- NP19ZL-4K: C(Wide) = 2.241W – 3.150 ----- C(Tele) = 3.713W – 3.114
- NP20ZL-4K: C(Wide) = 3.618W – 5.319 ----- C(Tele) = 5.434W – 5.299
- NP21ZL-4K: C(Wide) = 5.412W – 11.622 ---- C(Tele) = 8.438W – 11.531
- NP31ZL-4K: C(Wide) = 0.768W – 1.795 ----- C(Tele) = 0.953W – 1.705
- NP39ML-4K: Ultra-Short Throw lens (See page 3 for Formulas)

Definitions:

- W = Image Width
- H = Image Height (size)
- C = Throw distance

16:9 Screen Formulas

- W = H x 16/9
- H = W x 9/16
- Screen Diagonal = W x 18.358/16

Distance Chart

Screen Size (16:9)			Rear Lens	Zoom Lenses																	
			NP16FL-4K	NP31ZL-4K		NP17ZL-4K		NP18ZL-4K		NP19ZL-4K		NP20ZL-4K		NP21ZL-4K							
Diagonal	Width(W)	Height (H)	0.76:1	0.74-0.93:1		1.24-1.78:1		1.71-2.25-1		2.20-3.67:1		3.54-5.36:1		5.25-8.28:1							
inches	inches	inches	inches	inches		inches		inches		inches		inches		inches							
30	26	15	18.9	18.3	-	23.2	31.1	-	45.2	43.0	-	57.2	55.4	-	94.0	89.3	-	136.8	129.9	-	209.1
59	51	29	39.0	37.7	-	47.3	63.2	-	90.8	87.2	-	115.1	112.1	-	187.8	180.7	-	274.1	266.7	-	422.4
67	58	33	44.5	43.1	-	53.9	72.0	-	103.3	99.4	-	131.1	127.7	-	213.7	206.0	-	312.0	304.4	-	481.2
70	61	34	46.6	45.1	-	56.4	75.3	-	108.0	104.0	-	137.1	133.6	-	223.4	215.4	-	326.2	318.6	-	503.3
83	72	41	55.6	53.8	-	67.2	89.7	-	128.4	123.8	-	163.0	159.0	-	265.5	256.4	-	387.8	379.9	-	598.9
106	92	52	71.5	69.2	-	86.3	115.1	-	164.6	158.8	-	208.9	203.9	-	339.9	328.9	-	496.7	488.4	-	768.0
110	96	54	74.3	71.8	-	89.7	119.6	-	170.8	164.9	-	216.9	211.7	-	352.9	341.5	-	515.7	507.2	-	797.4
126	110	62	85.3	82.5	-	102.9	137.3	-	196.0	189.3	-	248.8	242.9	-	404.6	392.0	-	591.4	582.7	-	915.1
133	116	65	90.2	87.2	-	108.8	145.0	-	207.0	199.9	-	262.8	256.6	-	427.3	414.1	-	624.6	615.7	-	966.6
159	139	78	108.2	104.6	-	130.4	173.8	-	247.8	239.6	-	314.7	307.4	-	511.4	496.1	-	747.7	738.4	-	1157.8
184	160	90	125.5	121.4	-	151.1	201.4	-	287.1	277.6	-	364.6	356.2	-	592.3	574.9	-	866.1	856.3	-	1341.6
202	176	99	137.9	133.4	-	166.1	221.3	-	315.3	305.1	-	400.5	391.4	-	650.6	631.6	-	951.4	941.2	-	1474.0
220	192	108	150.4	145.5	-	181.0	241.2	-	343.6	332.5	-	436.5	426.5	-	708.8	688.4	-	1036.6	1026.1	-	1606.4
263	229	129	180.1	174.2	-	216.7	288.8	-	411.1	398.0	-	522.3	510.5	-	848.0	824.0	-	1240.3	1228.9	-	1922.6
299	261	147	205.1	198.3	-	246.6	328.6	-	467.7	452.8	-	594.1	580.8	-	964.5	937.5	-	1410.8	1398.7	-	2187.4

PX1005QL Installation Guide

Desktop and Ceiling Mount

Rev 1.1

Formulas: 16:9 Aspect Ratio (UHD)

The Projection Formulas use the image width for calculation. Image width is the same for all aspect ratios, only vertical image size varies. For proper projector placement, determine the image width for a desired screen size. Use the Screen Formulas below to calculate all screen dimensions. Plug in the image width for "W" in the Projection Formulas.

Refer to the diagrams and charts for popular screen sizes on page 2 and 3:

Projection Formulas:

- NP39ML-4K:** A=C-33.0
 B=0.588*W
 C=(0.351*W)+2.362
 D=E-8.5
 E=0.310*W

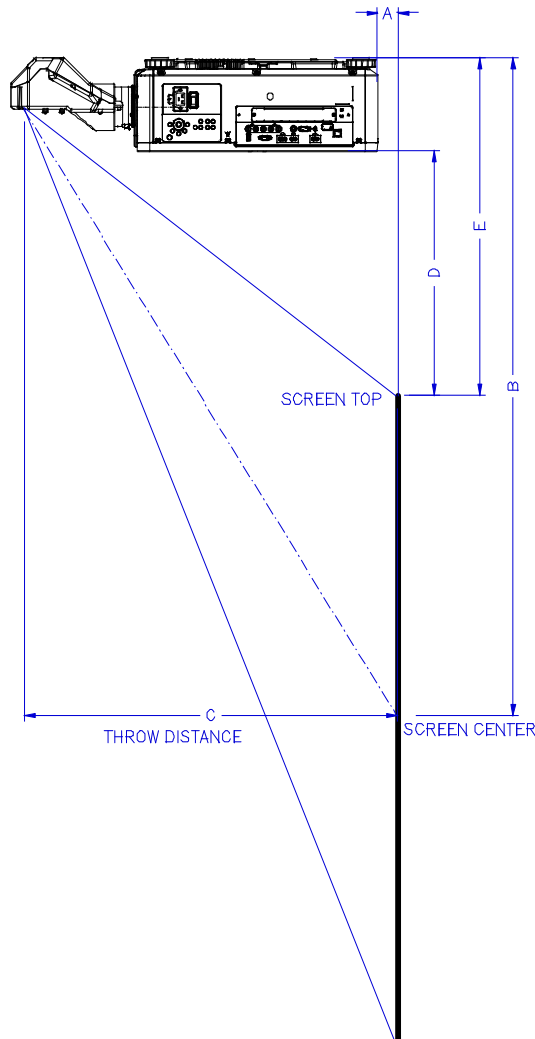
Definitions:

- W = Image Width
 H = Image Height (size)
 C = Throw distance

16:9 Screen Formulas

- W = H x 16/9
 H = W x 9/16
 Screen Diagonal = W x 18.358/16

NP39ML-4 Installation



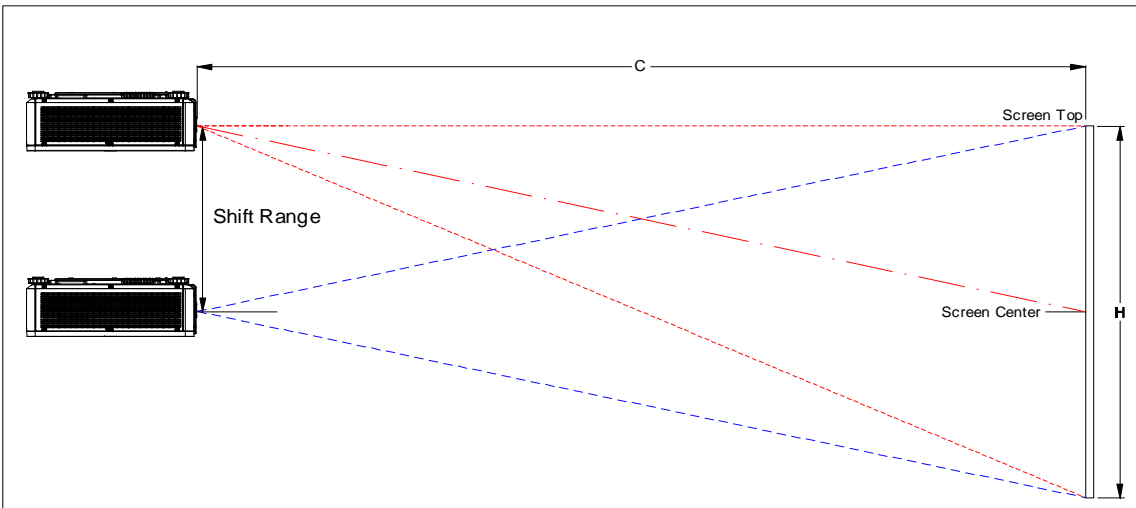
Screen Size (16:9)			A	B	C	D	E
Diagonal	Width(W)	Height (H)	inches	inches	inches	inches	inches
108	94	53	2	55	35	21.2	29.7
113	98	55	4	58	37	22.5	31.0
130	113	64	9	67	42	27.2	35.7
137	119	67	11	70	44	29.1	37.6
164	143	80	20	84	53	36.5	45.0
189	165	93	27	97	60	43.4	51.9
208	181	102	33	107	66	48.6	57.1
226	197	111	38	116	71	53.5	62.0
270	235	132	52	138	85	65.6	74.1
300	261	147	61	154	94	50.1	58.6
350	305	172	76	179	109	87.6	96.1

PX1005QL Installation Guide

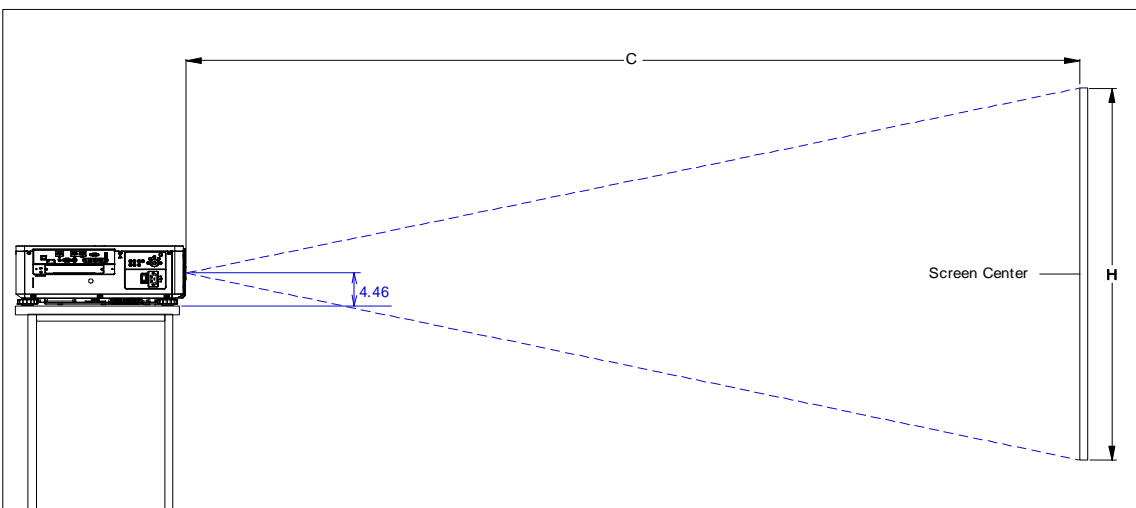
Desktop and Ceiling Mount

Rev 1.1

Ceiling Mount Installation



Note: Lens Shift Feature is not available for the NP16FL. This lens should only be used for “zero degree”/“no-offset” applications.

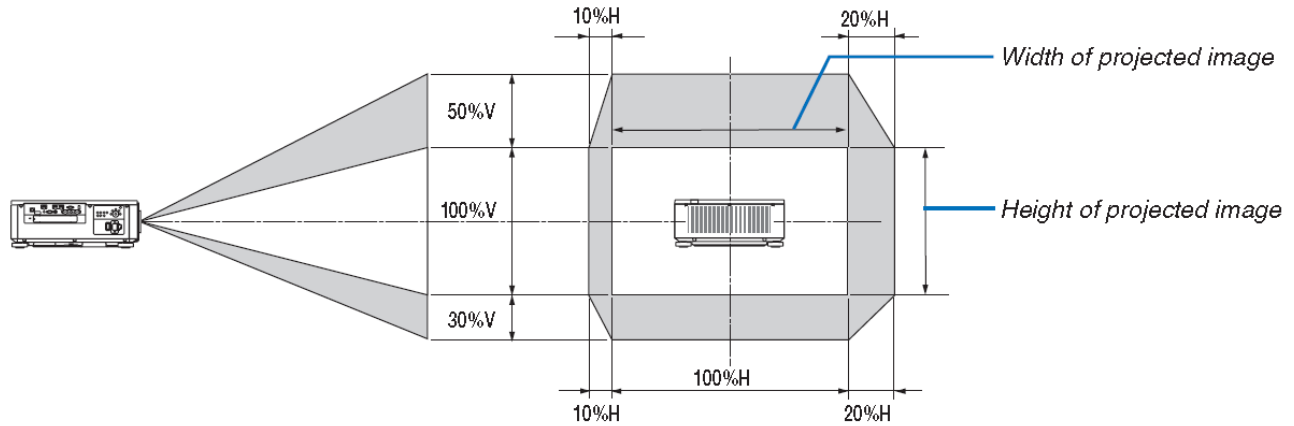


PX1005QL Installation Guide

Desktop and Ceiling Mount

Rev 1.1

Lens Shift Adjustable Range



Lens Shift Range for Desktop and Ceiling Mount Application

The diagram below shows the location of the image position in the lens. The lens can be shifted within the shaded area as shown using the normal projection position as a starting point.

Note: Lens shift feature is not available with NP16FL-4K (rear lens). NP16FL-4K should be used only for "zero degree" / no-offset" applications.

Note: Projector is set out of the box at maximum lens shift, which is how it is depicted above.
(W: width of projected image, H: height of projected image)

PX1005QL Installation Guide

Desktop and Ceiling Mount

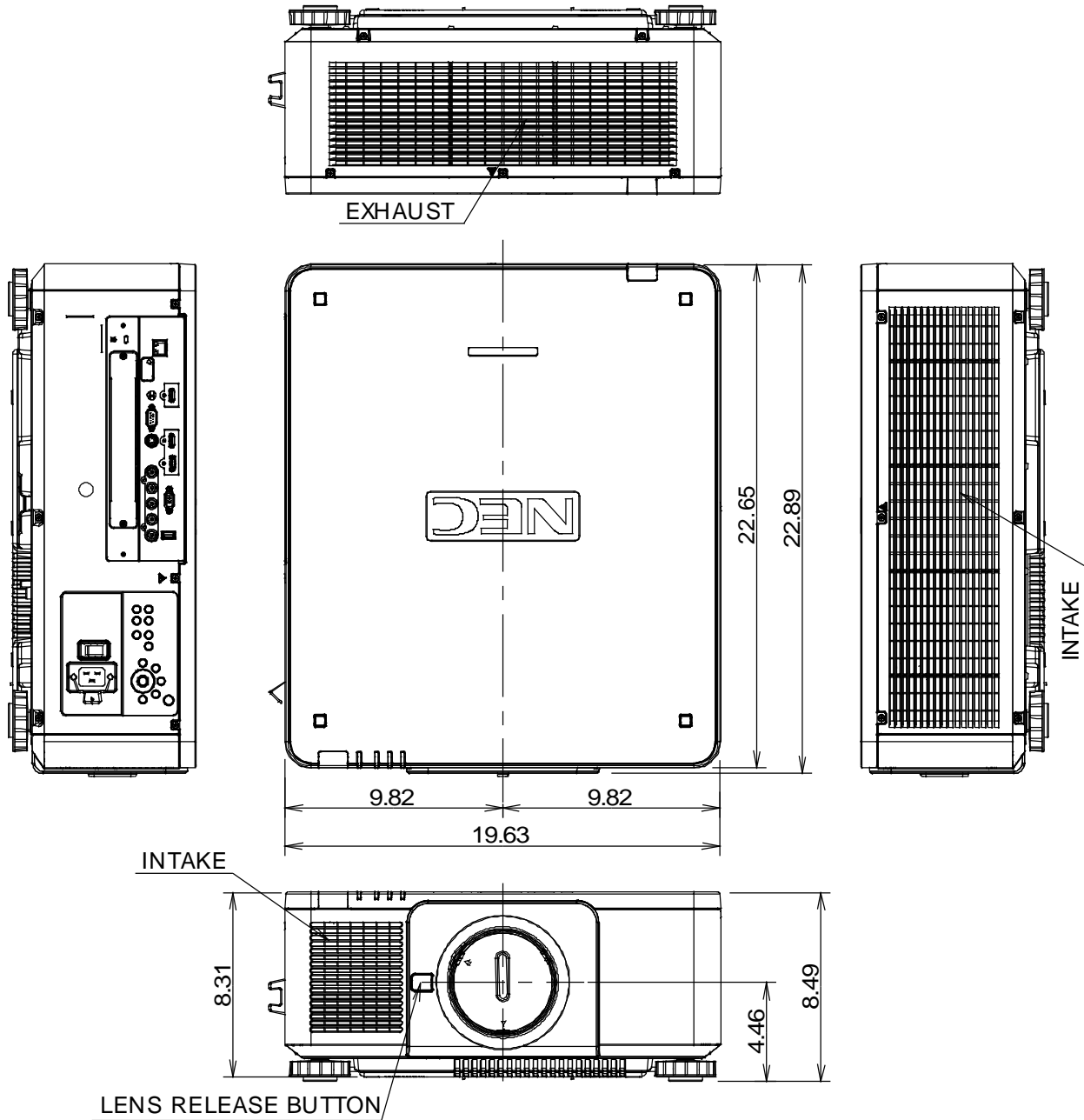
Rev 1.1

Cabinet Dimensions

The following diagrams show the cabinet dimensions for the PX1005QL.

Dimensions are in inches. For millimeters multiply by 25.4.

Note: Dimensions below shown without a lens

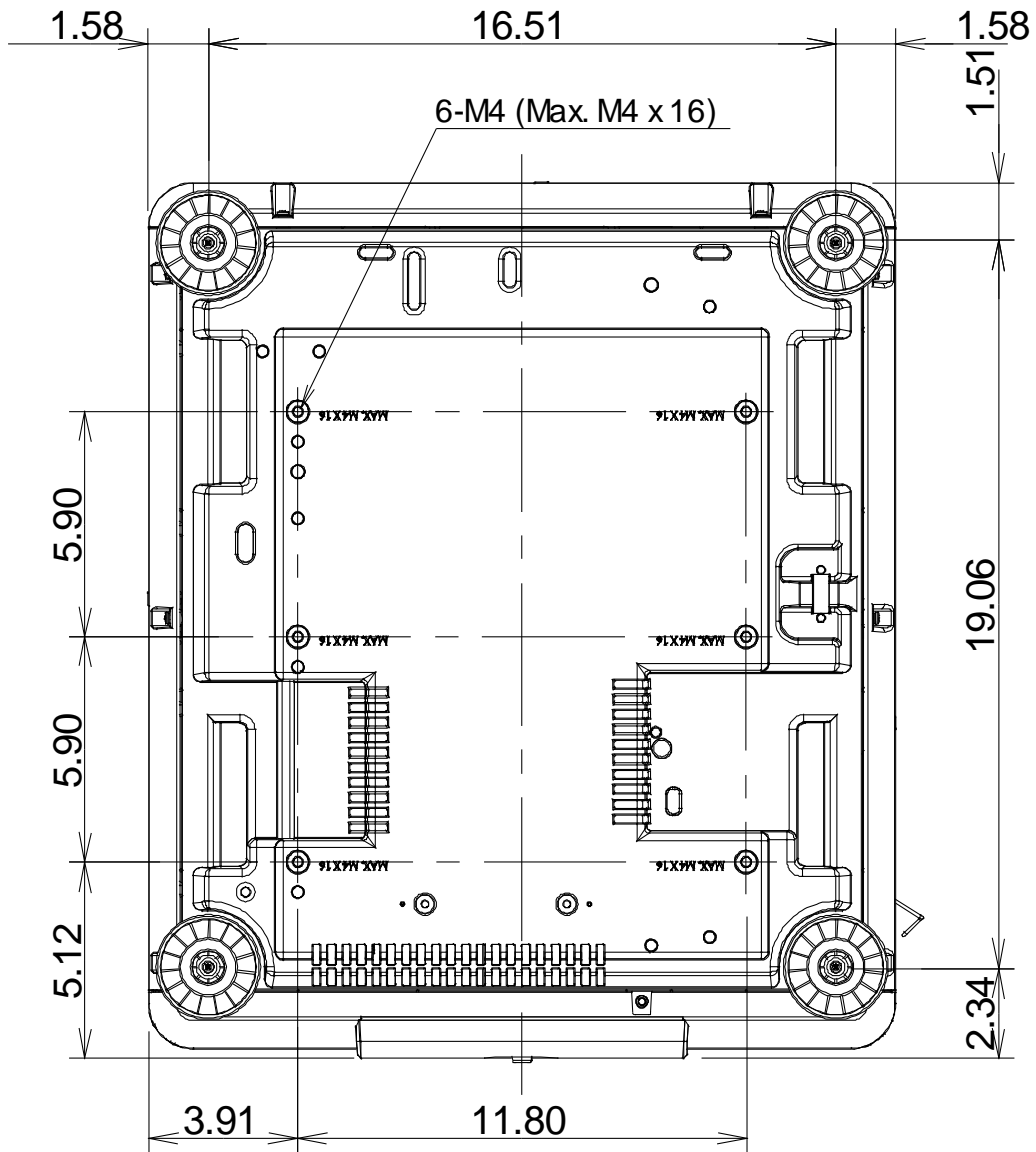


PX1005QL Installation Guide

Desktop and Ceiling Mount

Rev 1.1

Cabinet Dimensions

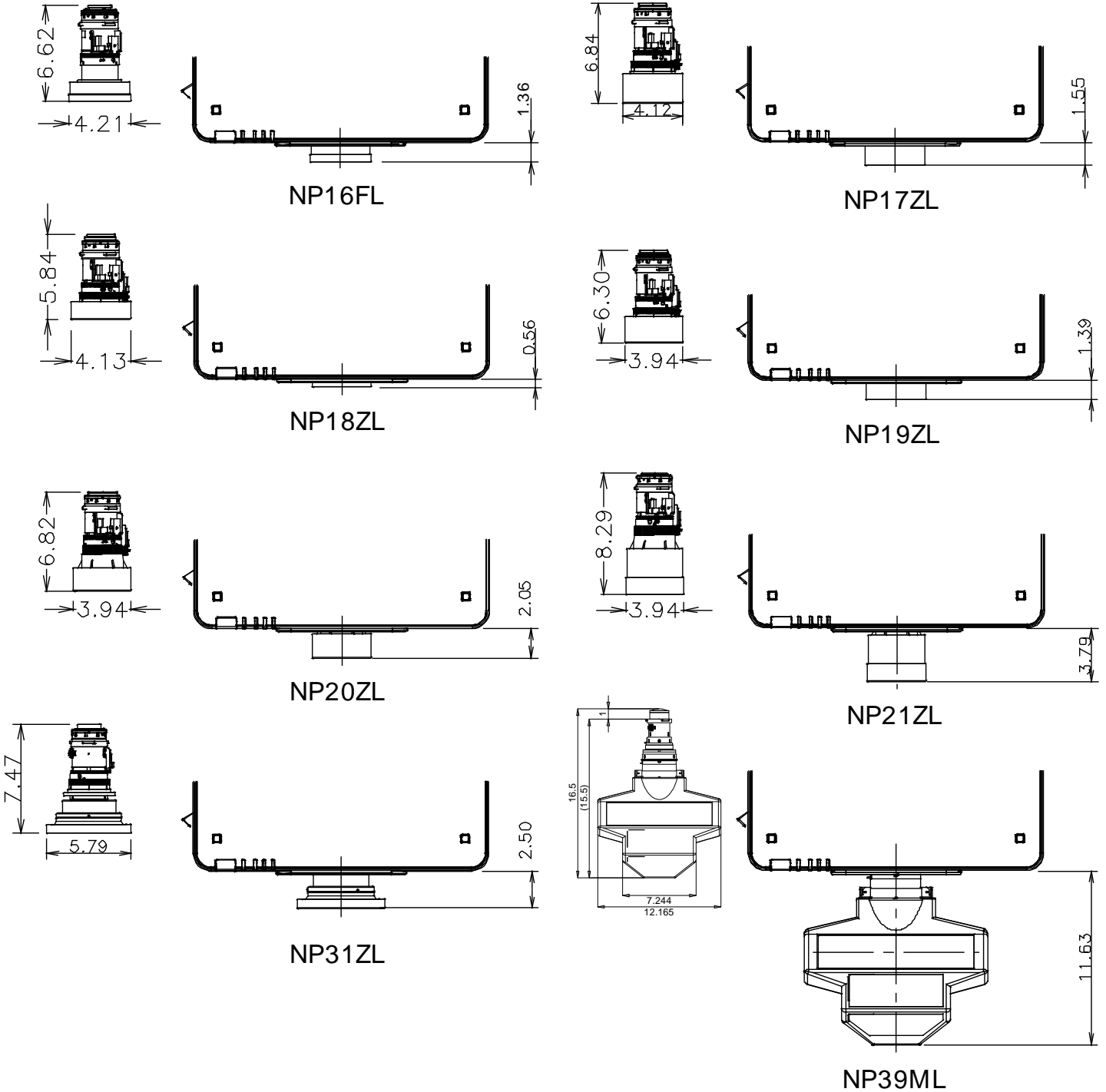


PX1005QL Installation Guide

Desktop and Ceiling Mount

Rev 1.1

Optional Lens Dimensions



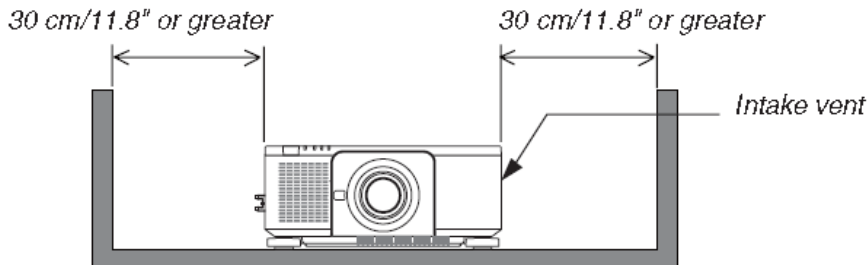
PX1005QL Installation Guide

Desktop and Ceiling Mount

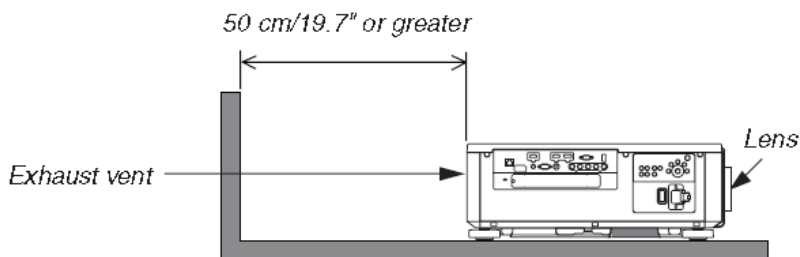
Rev 1.1

Ventilation Requirements

- If there are walls on both sides of the projector :



- If there's a wall behind the projector :

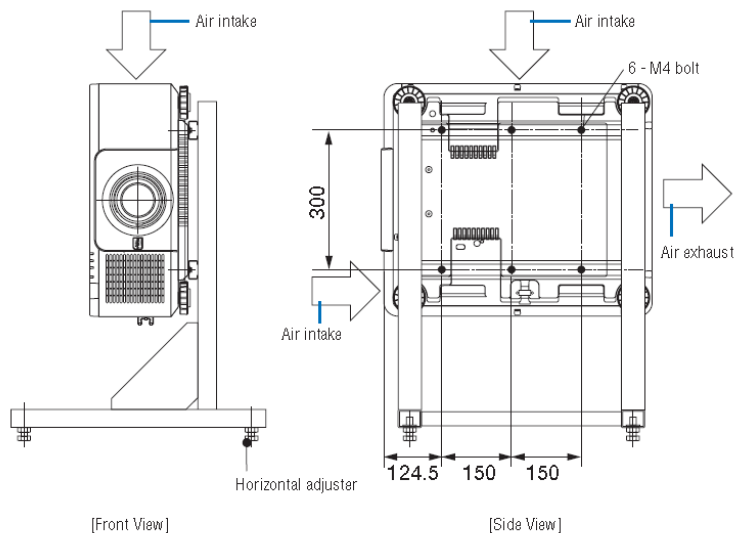


Portrait Requirements

Reference drawings

* The drawing showing the dimensional requirements is not an actual stand design drawing.

(Unit: mm)



PX1005QL Installation Guide

Desktop and Ceiling Mount

Rev 1.1

Regulatory Labels

	<p>CAUTION POSSIBLY HAZARDOUS OPTICAL RADIATION EMITTED FROM THIS PRODUCT. DO NOT STARE AT OPERATING LAMP. MAY BE HARMFUL TO THE EYES. RISK GROUP 2 IEC 62471:2006</p>	<p>VORSICHT Dieses Produkt strahlt eventuelle gefährliche optische Strahlung aus. Schauen Sie nicht in die eingeschaltete Lampe. Dies kann Ihre Augen gefährden. RISIKOGRUPPE 2 IEC 62471:2006</p>	<p>MISE EN GARDE Rayonnement optique éventuellement dangereux émis par ce produit. Ne regardez pas fixement la lampe de fonctionnement. Cela peut être dangereux pour les yeux. GROUPE À RISQUE 2 IEC 62471:2006</p>
--	---	--	--

	<p>COMPLIES WITH 21 CFR 1040.10 AND 1040.11 EXCEPT FOR DEVIATIONS PURSUANT TO LASER NOTICE No. 50, DATED JUNE 24, 2007</p>
<p>LASER RADIATION AVOID DIRECT EYE EXPOSURE CLASS 3R LASER PRODUCT WAVE LENGTH: 450-460 nm MAX. PULSE ENERGY: 0.376mJ PULSE DURATION: 0.74 ms IEC/EN 60825-1:2007 CLASS 1 LASER PRODUCT IEC/EN 60825-1:2014</p>	<p>레이저 방사선 육안으로 쳐다보지 말 것 등급 3R 레이저 제품 파장: 450-460nm 최대 펄스 에너지: 0.376mJ 펄스 지속 시간: 0.74ms IEC/EN 60825-1:2007 등급 1 레이저 제품 IEC/EN 60825-1:2014</p>
<p>LASERSTRAHLUNG DIREKTE EXPOSITION DER AUGEN VERMEIDEN LASERPRODUKT DER KLASSE 3R WELLENLÄNGE: 450-460 nm MAX. PULSENERGIE: 0,376 mJ IMPULSDAUER: 0,74 ms IEC/EN 60825-1:2007 LASERPRODUKT DER KLASSE 1 IEC/EN 60825-1:2014</p>	
<p>RAYONNEMENT LASER ÉVITER D'EXPOSER DIRECTEMENT LES YEUX PRODUIT LASER DE CLASSE 3R LONGUEUR D'ONDE : 450-460 nm ÉNERGIE D'IMPULSION MAX. : 0,376 mJ DURÉE DE L'IMPULSION : 0,74 ms IEC/EN 60825-1:2007 PRODUIT LASER DE CLASSE 1 IEC/EN 60825-1:2014</p>	
<p>ЛАЗЕРНОЕ ИЗЛУЧЕНИЕ ИЗБЕГАЙТЕ ПРЯМОГО ВОЗДЕЙСТВИЯ НА ГЛАЗА ЛАЗЕРНОЕ ИЗДЕЛИЕ 3R КЛАССА ОПАСНОСТИ ДЛИНА ВОЛНЫ: 450-460 нм МАКС. ЭНЕРГИЯ ИМПУЛЬСА: 0,376 мДж ДЛИТЕЛЬНОСТЬ ИМПУЛЬСА: 0,74 мс IEC/EN 60825-1:2007 ЛАЗЕРНОЕ ИЗДЕЛИЕ 1 КЛАССА ОПАСНОСТИ IEC/EN 60825-1:2014</p>	

**LASER APERTURE
 LASERÖFFNUNG
 OUVERTURE LASER
 АПЕРТУРА ЛАЗЕРА
 레이저 개구부**

PX1005QL Installation Guide

Desktop and Ceiling Mount

Rev 1.1

Input Panel



Control Panel



PX1005QL Installation Guide

Desktop and Ceiling Mount

Rev 1.1

PC Control Codes

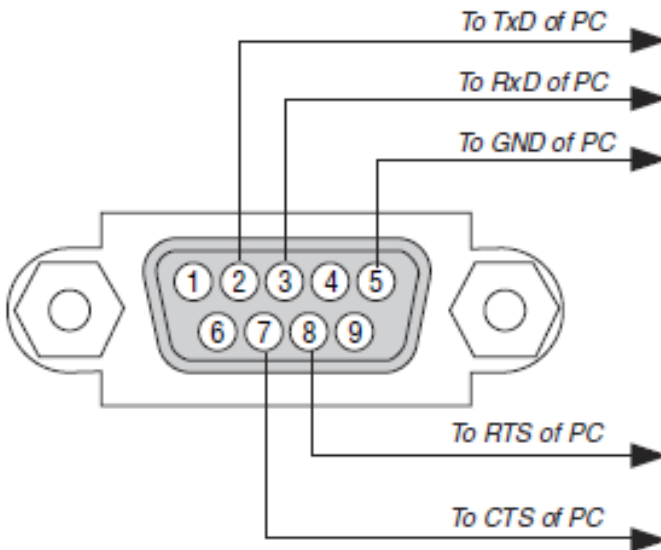
Function	Code Data
POWER ON	02H 00H 00H 00H 00H 02H
POWER OFF	02H 01H 00H 00H 00H 03H
INPUT SELECT COMPUTER	02H 03H 00H 00H 02H 01H 01H 09H
INPUT SELECT HDMI 1	02H 03H 00H 00H 02H 01H A1H A9H
INPUT SELECT HDMI 2	02H 03H 00H 00H 02H 01H 06H 0EH
INPUT SELECT DisplayPort 1	02H 03H 00H 00H 02H 01H A6H AEH
INPUT SELECT DisplayPort 2	02H 03H 00H 00H 02H 01H A6H AEH
INPUT SELECT HDBaseT	02H 03H 00H 00H 02H 01H 20H 28H
INPUT SELECT SLOT	02H 03H 00H 00H 02H 01H ABH B3H
INPUT 3G SDI	02H 03H 00H 00H 02H 01H ABH B3H
PICTURE MUTE ON	02H 10H 00H 00H 00H 12H
PICTURE MUTE OFF	02H 11H 00H 00H 00H 13H

Cable Connection

Communication Protocol:

- Baud Rate: 38400 bps (for cable lengths longer than 20', it is recommended changing to 9600 bps in setup menu)
- Data Length: 8 bits
- Parity: No Parity
- Stop Bit: One bit
- X on/off: None
- Communications: Full duplex

PC Control Connector (D-Sub 9P)



Note 1 : Pins 1, 4, 6, and 9 are used inside the projector.

Note 2: For long cable runs it is recommended to set communication speed within the projector to 9600 bps.

Note 3: Jumper "Request to Send" and "Clear to Send" together on both ends of the cable to simplify cable connection.