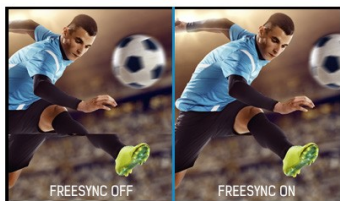




High-end 27" QHD monitor supporting FreeSync™ technology and 1ms response time

The ProLite B2783QSU is an excellent 27" QHD LED-backlit monitor bringing the world of Business and Gaming together. The monitor offers accurate and consistent colour reproduction with wide viewing angles and a sharp high resolution 2560x1440 panel. Its ergonomic stand offers 13cm height adjustment with pivot and swivel, making this screen suitable for a wide range of applications and environments where workplace flexibility and ergonomics are key factors. This monitor supports FreeSync™ technology, offering gamers the chance to experience fluid and fracture free gaming. Triple input (DVI/HDMI/DisplayPort) and a USB HUB ensure compatibility with your desktop PC or Notebook.



FREESYNC™ TECHNOLOGY



BLUE LIGHT REDUCER

As we all know looking at a monitor screen for several hours per day, especially from a closer distance, causes eye fatigue. This effect is much stronger with computer screens than with TV equipment. One of the factors responsible for this phenomenon is the blue light emitted by the screen. Therefore reducing the amount of blue light ultimately allows our eyes to feel less tired while working long hours with a computer screen. We achieved it by adjusting the monitor's brightness and color temperature through a new feature called "Blue light reduction" easily accessible through the monitor's OSD menu.

1. DISPLAY CHARACTERISTICS

| | |
|--------------------|---|
| DIAGONAL | 27"; 68.5cm |
| PANEL | TN LED-Backlit |
| DISPLAY AREA H X W | 335.7 x 596.7 mm; 13.2" x 23.5" |
| RESPONSE TIME | 1 ms |
| CONTRAST | 1000 : 1 typical |
| CONTRAST | 12 000 000 : 1 ACR |
| BRIGHTNESS | 350 cd/m ² typical |
| VIEWING ZONE | horizontal/vertical: 170° / 160°; right/left: 85° / 85°; up/down: 80° / 80° |
| DISPLAY COLOUR | 16.7 million million |
| PIXEL PITCH H X V | 0.233 x 0.233 mm |
| NATIVE RESOLUTION | 2560 x 1440 (3.7 megapixel) |
| HORIZONTAL SYNC | 30 - 90 KHz |
| VERTICAL SYNC | 50 - 75 Hz |
| SYNCHRONIZATION | Separate sync |
| ASPECT RATIO | 16 : 9 |

2. INTERFACES CONNECTORS

| | |
|-------------------------|---|
| DIGITAL INPUT CONNECTOR | DVI-D, HDMI, DisplayPort |
| HDCP | yes |
| OUTPUT CONNECTOR | headphone connector |
| USB HUB | UP 1 x USB 3.0 / DOWN 2 x USB 3.0 down; up / Revision |

3. SPECIAL FEATURES

| | |
|---------------------------|---|
| APPLE - MAC | All iiyama monitors are compatible with Apple-Macintosh computers. |
| PLUG & PLAY | VESA DDC2B™ |
| CONTROLS | Via OSD in 11 languages (EN, DE, FR, ES, IT, PL, CZ, NL, Chinese, RU, JP) and 6 front controls (Power, Menu/ Select, Scroll up/ Volume, Scroll down/ ECO, Exit, Input) |
| USER CONTROLS | luminance (brightness, contrast), colour, OSD (H. position, V. position, timeout), language, recall, miscellaneous (sharpness, DDC/CI, display information, ACR, display mode, OD, opening logo, DP format), input select, audio adjust (volume, mute, digital audio), ECO mode, i-Style Colour, blue light reducer |
| SPEAKERS | 2 x 2 W (Stereo) |
| ANTI-THEFT-DEVICE | Kensington-lock™ prepared |
| ERGONOMICS | CE, TÜV-GS, VCCI-B, PSE, CU |
| EXTRA FUNCTIONS | supports FreeSync™ Technology, DisplayPort: 2560x1440@48-70Hz |
| HEIGHT ADJUSTABLE STAND | Yes |
| HEIGHT ADJUSTMENT | 130 mm |
| ROTATION (PIVOT FUNCTION) | 90° |

| | |
|---------------|--------------------------|
| SWIVEL STAND | 90°; 45° left; 45° right |
| TILT ANGLE | 22° up; 5° down |
| VESA MOUNTING | 100 x 100 mm |
| COLOUR | Black |

4. ACCESSORIES

| | |
|----------------------|---|
| DRIVER | Windows 95 / 98 / 2000 / ME / XP / Vista / 7 / 8 / 10 |
| INCLUDED ACCESSORIES | power cable, DVI-D cable, DisplayPort cable, Audio cable, USB cable, stand, quick start guide, safety guide |

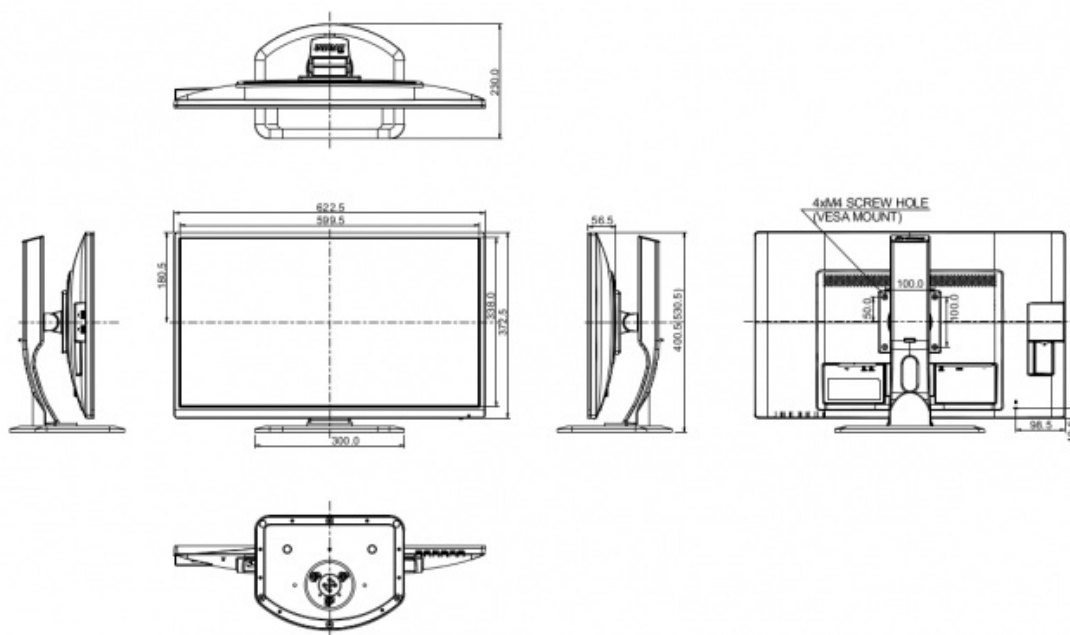
5. POWER MANAGEMENT

| | |
|-------------------|---|
| POWER SUPPLY | AC 100 - 240 V, 50 / 60 Hz |
| POWER SUPPLY UNIT | internal |
| POWER USAGE | 44 W typical; max. 0.5 W in Power management mode |
| POWER MANAGEMENT | VESA DPMS, ENERGY STAR® |

6.

7. DIMENSIONS & WEIGHT

| | |
|----------------------|--------------------------------|
| DIMENSIONS W X H X D | 622.5 x 400.5 (530.5) x 230 mm |
| WEIGHT | 6.1 kg |



All trademarks and registered trademarks acknowledged. E & O E. Specification subject to change without notice. All LCD's comply with ISO-9241-307:2008 in connection with pixel defects.