

lenovo

Lenovo H30 Series Hardware Maintenance Manual

lenovo® **FOR**
THOSE
WHO DO.™

Machine Types: 90C2 [H30-00]; 90BJ [H30-05]; 90B8 [H30-50 ES];
90B9 [H30-50 Non-ES]



Lenovo H30 Series Hardware Maintenance Manual

Machine Types: 90C2 [H30-00]; 90BJ [H30-05]; 90B8 [H30-50 ES];
90B9 [H30-50 Non-ES]

First Edition (July 2013)14th

© Copyright Lenovo 2014.

LIMITED AND RESTRICTED RIGHTS NOTICE: If data or software are delivered pursuant a General Services Administration "GSA" contract, use, reproduction, or disclosure is subject to restrictions set forth in Contract No. GS-35F-05925

Contents

| | | | |
|--|-----------|--|-----------|
| Chapter 1. About this manual | 1 | Chapter 7. Locating connectors, controls and components | 21 |
| Important Safety Information | 1 | Chapter 8. Replacing hardware | 29 |
| Chapter 2. Safety information | 3 | General information | 29 |
| General safety | 3 | Replacing the keyboard and mouse | 30 |
| Electrical safety | 3 | Removing the computer cover | 30 |
| Safety inspection guide | 5 | Removing the front bezel | 31 |
| Handling electrostatic discharge-sensitive devices | 5 | Replacing an optical drive | 32 |
| Grounding requirements | 6 | Replacing the hard disk drive | 34 |
| Safety notices | 6 | Replacing a memory module | 35 |
| Chapter 3. General information | 9 | Replacing the adapter | 37 |
| Specifications | 9 | Replacing the graphic card | 38 |
| Chapter 4. General Checkout | 11 | Replacing the microprocessor fan | 38 |
| Chapter 5. Using the Setup Utility. | 13 | Replacing the heat-sink | 39 |
| Starting the Lenovo BIOS Setup Utility program | 13 | Replacing the Wi-Fi card | 40 |
| Viewing and changing settings | 13 | Replacing the front USB/card reader/audio module | 41 |
| Using passwords | 13 | Replacing the motherboard | 42 |
| Enabling or disabling a device | 15 | Chapter 9. FRU lists-H30-00 | 45 |
| Selecting a startup device | 16 | Chapter 10. FRU lists-H30-05 | 51 |
| Exiting the Lenovo BIOS Setup Utility program | 17 | Chapter 11. FRU lists-H30-50 | 59 |
| Chapter 6. Symptom-to-FRU Index | 19 | Chapter 12. General information | 67 |
| Hard disk drive boot error | 19 | Additional Service Information | 67 |
| Power Supply Problems | 19 | | |
| POST error codes | 20 | | |
| Undetermined problems | 20 | | |

Chapter 1. About this manual

This manual contains service and reference information for Lenovo H30 serious computers listed on the cover. It is intended only for trained servicers who are familiar with Lenovo computer products.

Before servicing a Lenovo product, be sure to read the Safety Information.

The description of the TV card in this manual is only used for the machines which have the TV card. It is invalid for those machines which do not have TV card.

Important Safety Information

Be sure to read all caution and danger statements in this book before performing any of the instructions.

Veillez lire toutes les consignes de type DANGER et ATTENTION du présent document avant d'exécuter les instructions.

Lesen Sie unbedingt alle Hinweise vom Typ "ACHTUNG" oder "VORSICHT" in dieser Dokumentation, bevor Sie irgendwelche Vorgänge durchführen

Leggere le istruzioni introdotte da ATTENZIONE e PERICOLO presenti nel manuale prima di eseguire una qualsiasi delle istruzioni

Certifique-se de ler todas as instruções de cuidado e perigo neste manual antes de executar qualquer uma das instruções

Es importante que lea todas las declaraciones de precaución y de peligro de este manual antes de seguir las instrucciones.

执行任何说明之前，请确保已阅读本书中的所有警告和危险声明。

執行任何指示前，請確實閱讀本書中的所有警告及危險聲明。

Chapter 2. Safety information

This chapter contains the safety information that you need to be familiar with before servicing a computer.

General safety

Follow these rules to ensure general safety:

- Observe good housekeeping in the area of the machines during and after maintenance.
- When lifting any heavy object:
 1. Ensure you can stand safely without slipping.
 2. Distribute the weight of the object equally between your feet.
 3. Use a slow lifting force. Never move suddenly or twist when you attempt to lift.
 4. Lift by standing or by pushing up with your leg muscles; this action removes the strain from the muscles in your back.
Do not attempt to lift any objects that weigh more than 16 kg (35 lb) or objects that you think are too heavy for you.
- Do not perform any action that causes hazards to the customer, or that makes the equipment unsafe.
- Before you start the machine, ensure that other service representatives and the customer's personnel are not in a hazardous position.
- Place removed covers and other parts in a safe place, away from all personnel, while you are servicing the machine.
- Keep your tool case away from walk areas so that other people will not trip over it.
- Do not wear loose clothing that can be trapped in the moving parts of a machine. Ensure that your sleeves are fastened or rolled up above your elbows. If your hair is long, fasten it.
- Insert the ends of your necktie or scarf inside clothing or fasten it with a nonconductive clip, approximately 8 centimeters (3 inches) from the end.
- Do not wear jewelry, chains, metal-frame eyeglasses, or metal fasteners for your clothing.
Remember: Metal objects are good electrical conductors.
- Wear safety glasses when you are: hammering, drilling soldering, cutting wire, attaching springs, using solvents, or working in any other conditions that might be hazardous to your eyes.
- After service, reinstall all safety shields, guards, labels, and ground wires. Replace any safety device that is worn or defective.
- Reinstall all covers correctly before returning the machine to the customer.

Electrical safety



CAUTION:

Electrical current from power, telephone, and communication cables can be hazardous. To avoid personal injury or equipment damage, disconnect the attached power cords, telecommunication systems, networks, and modems before you open the computer covers, unless instructed otherwise in the installation and configuration procedures.

Observe the following rules when working on electrical equipment.

Important: Use only approved tools and test equipment. Some hand tools have handles covered with a soft material that does not insulate you when working with live electrical currents. Many customers have, near their equipment, rubber floor mats that contain small conductive fibers to decrease electrostatic discharges. Do not use this type of mat to protect yourself from electrical shock.

- Find the room emergency power-off (EPO) switch, disconnecting switch, or electrical outlet. If an electrical accident occurs, you can then operate the switch or unplug the power cord quickly.
- Do not work alone under hazardous conditions or near equipment that has hazardous voltages.
- Disconnect all power before:
 - Performing a mechanical inspection
 - Working near power supplies
 - Removing or installing Field Replaceable Units (FRUs)
- Before you start to work on the machine, unplug the power cord. If you cannot unplug it, ask the customer to power-off the wall box that supplies power to the machine and to lock the wall box in the off position.
- If you need to work on a machine that has exposed electrical circuits, observe the following precautions:
 - Ensure that another person, familiar with the power-off controls, is near you.
Remember: Another person must be there to switch off the power, if necessary.
 - Use only one hand when working with powered-on electrical equipment; keep the other hand in your pocket or behind your back.
Remember: There must be a complete circuit to cause electrical shock. By observing the above rule, you may prevent a current from passing through your body.
 - When using a tester, set the controls correctly and use the approved probe leads and accessories for that tester.
 - Stand on suitable rubber mats (obtained locally, if necessary) to insulate you from grounds such as metal floor strips and machine frames.

Observe the special safety precautions when you work with very high voltages; these instructions are in the safety sections of maintenance information. Use extreme care when measuring high voltages.

- Regularly inspect and maintain your electrical hand tools for safe operational condition.
- Do not use worn or broken tools and testers.
- *Never assume* that power has been disconnected from a circuit. First, *check* that it has been powered-off.
- Always look carefully for possible hazards in your work area. Examples of these hazards are moist floors, nongrounded power extension cables, power surges, and missing safety grounds.
- Do not touch live electrical circuits with the reflective surface of a plastic dental mirror. The surface is conductive; such touching can cause personal injury and machine damage.
- Do not service the following parts with the power on when they are removed from their normal operating places in a machine:
 - Power supply units
 - Pumps
 - Blowers and fans
 - Motor generatorsand similar units. (This practice ensures correct grounding of the units.)
- If an electrical accident occurs:
 - Use caution; do not become a victim yourself.
 - Switch off power.

- Send another person to get medical aid.

Safety inspection guide

The intent of this inspection guide is to assist you in identifying potentially unsafe conditions on these products. Each machine, as it was designed and built, had required safety items installed to protect users and service personnel from injury. This guide addresses only those items. However, good judgment should be used to identify potential safety hazards due to attachment of features or options not covered by this inspection guide.

If any unsafe conditions are present, you must determine how serious the apparent hazard could be and whether you can continue without first correcting the problem.

Consider these conditions and the safety hazards they present:

- Electrical hazards, especially primary power (primary voltage on the frame can cause serious or fatal electrical shock).
- Explosive hazards, such as a damaged CRT face or bulging capacitor
- Mechanical hazards, such as loose or missing hardware

The guide consists of a series of steps presented in a checklist. Begin the checks with the power off, and the power cord disconnected.

Checklist:

1. Check exterior covers for damage (loose, broken, or sharp edges).
2. Power-off the computer. Disconnect the power cord.
3. Check the power cord for:
 - a. A third-wire ground connector in good condition. Use a meter to measure third-wire ground continuity for 0.1 ohm or less between the external ground pin and frame ground.
 - b. The power cord should be the appropriate type as specified in the parts listings.
 - c. Insulation must not be frayed or worn.
4. Remove the cover.
5. Check for any obvious alterations. Use good judgment as to the safety of any alterations.
6. Check inside the unit for any obvious unsafe conditions, such as metal filings, contamination, water or other liquids, or signs of fire or smoke damage.
7. Check for worn, frayed, or pinched cables.
8. Check that the power-supply cover fasteners (screws or rivets) have not been removed or tampered with.

Handling electrostatic discharge-sensitive devices

Any computer part containing transistors or integrated circuits (ICs) should be considered sensitive to electrostatic discharge (ESD). ESD damage can occur when there is a difference in charge between objects. Protect against ESD damage by equalizing the charge so that the machine, the part, the work mat, and the person handling the part are all at the same charge.

Notes:

1. Use product-specific ESD procedures when they exceed the requirements noted here.
2. Make sure that the ESD protective devices you use have been certified (ISO 9000) as fully effective.

When handling ESD-sensitive parts:

- Keep the parts in protective packages until they are inserted into the product.

- Avoid contact with other people while handling the part.
- Wear a grounded wrist strap against your skin to eliminate static on your body.
- Prevent the part from touching your clothing. Most clothing is insulative and retains a charge even when you are wearing a wrist strap.
- Use the black side of a grounded work mat to provide a static-free work surface. The mat is especially useful when handling ESD-sensitive devices.
- Select a grounding system, such as those listed below, to provide protection that meets the specific service requirement.

Note: The use of a grounding system is desirable but not required to protect against ESD damage.

- Attach the ESD ground clip to any frame ground, ground braid, or green-wire ground.
- Use an ESD common ground or reference point when working on a double-insulated or battery-operated system. You can use coax or connector-outside shells on these systems.
- Use the round ground-prong of the ac plug on ac-operated computers.

Grounding requirements

Electrical grounding of the computer is required for operator safety and correct system function. Proper grounding of the electrical outlet can be verified by a certified electrician.

Safety notices

The caution and danger safety notices in this section are provided in the language of English.



DANGER

Electrical current from power, telephone and communication cables is hazardous.

To avoid a shock hazard:

- **Do not connect or disconnect any cables or perform installation, maintenance, or reconfiguration of this product during an electrical storm.**
- **Connect all power cords to a properly wired and grounded electrical outlet.**
- **Connect to properly wired outlets any equipment that will be attached to this product.**
- **When possible, use one hand only to connect or disconnect signal cables.**
- **Never turn on any equipment when there is evidence of fire, water, or structural damage.**
- **Disconnect the attached power cords, telecommunications systems, networks, and modems before you open the device covers, unless instructed otherwise in the installation and configuration procedures.**
- **Connect and disconnect cables as described in the following table when installing, moving, or opening covers on this product or attached devices.**

| To Connect | To Disconnect |
|--|--|
| <ol style="list-style-type: none"> 1. Turn everything OFF. 2. First, attach all cables to devices. 3. Attach signal cables to connectors. 4. Attach power cords to outlet. 5. Turn device ON. | <ol style="list-style-type: none"> 1. Turn everything OFF. 2. First, remove power cords from outlet. 3. Remove signal cables from connectors. 4. Remove all cables from devices. |



CAUTION:

When replacing the lithium battery, use only Part Number 45C1566 or an equivalent type battery recommended by the manufacturer. If your system has a module containing a lithium battery, replace it only with the same module type made by the same manufacturer. The battery contains lithium and can explode if not properly used, handled, or disposed of.

Do not:

- Throw or immerse into water
- Heat to more than 100°C (212°F)
- Repair or disassemble

Dispose of the battery as required by local ordinances or regulations.



CAUTION:

When laser products (such as CD-ROMs, DVD-ROM drives, fiber optic devices, or transmitters) are installed, note the following:

- Do not remove the covers. Removing the covers of the laser product could result in exposure to hazardous laser radiation. There are no serviceable parts inside the device.
- Use of controls or adjustments or performance of procedures other than those specified herein might result in hazardous radiation exposure.






 **DANGER**

Some laser products contain an embedded Class 3A or Class 3B laser diode. Note the following:

Laser radiation when open. Do not stare into the beam, do not view directly with optical instruments, and avoid direct exposure to the beam.

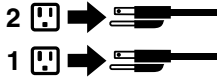


| | | |
|---|---|---|
|  |  |  |
| ≥18 kg(37 lbs) | ≥32 kg(70.5 lbs) | ≥55 kg(121.2 lbs) |

CAUTION:
Use safe practices when lifting.



CAUTION:
The power control button on the device and the power switch on the power supply do not turn off the electrical current supplied to the device. The device also might have more than one power cord. To remove all electrical current from the device, ensure that all power cords are disconnected from the power source.



CAUTION:
Do not place any object weighing more than 82 kg (180 lbs.) on top of rack-mounted devices.



Chapter 3. General information

This chapter provides general information that applies to all machine types supported by this publication.

Specifications

This section lists the physical specifications for your computer.

This section lists the physical specifications for your computer.

Type Lenovo H30 series

This section lists the physical specifications.

Environment

Air temperature:

Operating: 10° to 35°C

Transit: -20° to 55°C

Humidity:

Operating: 35% to 80%

Transit: 20% to 90% (40°C)

Altitude: 86KPa to 106KPa

Electrical input:

Input voltage: 90V-264V(AC)

Input frequency: 47Hz-63Hz

Chapter 4. General Checkout

Attention: The drives in the computer you are servicing might have been rearranged or the drive startup sequence changed. Be extremely careful during write operations such as copying, saving, or formatting. Data or programs can be overwritten if you select an incorrect drive.

General error messages appear if a problem or conflict is found by an application program, the operating system, or both. For an explanation of these messages, refer to the information supplied with that software package.

Use the following procedure to help determine the cause of the problem:

1. Power-off the computer and all external devices.
2. Check all cables and power cords.
3. Set all display controls to the middle position.
4. Power-on all external devices.
5. Power-on the computer.
 - Look for displayed error codes
 - Look for readable instructions or a main menu on the display.

If you did not receive the correct response, proceed to step 6.

If you do receive the correct response, proceed to step 7.

6. Look at the following conditions and follow the instructions:
 - If the computer displays a POST error, go to “POST error codes”.
 - If the computer hangs and no error is displayed, continue at step 7.
7. If the test stops and you cannot continue, replace the last device tested.

Chapter 5. Using the Setup Utility

The Setup Utility program is used to view and change the configuration settings of your computer, regardless of which operating system you are using. However, the operating-system settings might override any similar settings in the Setup Utility program.

Starting the Lenovo BIOS Setup Utility program

To start the Lenovo BIOS Setup Utility program, do the following:

1. If your computer is already on when you start this procedure, shut down the operating system and turn off the computer.
2. Press and hold the **F1** key then turn on the computer. When the Lenovo BIOS Setup Utility program is displayed, release the **F1** key.

Note: If a Power-On Password or an Administrator Password has been set, the Setup Utility program menu is not displayed until you type your password. For more information, see “Using passwords.”

Viewing and changing settings

System configuration options are listed in the Lenovo BIOS Setup Utility program menu. To view or change settings, see “Starting the Setup Utility program.”

You must use the keyboard when using the Lenovo BIOS Setup Utility menu. The keys used to perform various tasks are displayed on the bottom of each screen.

Using passwords

You can use the Lenovo BIOS Setup Utility program to set passwords to prevent unauthorized persons from gaining access to your computer and data. See “Starting the Setup Utility program.” The following types of passwords are available:

- Administrator Password
- Power-On Password

You do not have to set any passwords to use your computer. However, if you decide to set passwords, read the following sections.

Password considerations

A password can be any combination of letters and numbers up to 16 character (a-z, and 0-9). For security reasons, it is a good idea to use a strong password that cannot be easily compromised. We suggest that passwords should follow these rules:

- Strong passwords contain 7-16 characters, combine letters and numbers.
- Do not use your name or your user name.
- Do not use a common word or a common name.
- Be significantly different from your previous password.

Attention: Administrator and Power-On passwords are not case sensitive

Administrator Password

Setting an Administrator Password deters unauthorized persons from changing configuration settings. You might want to set an Administrator Password if you are responsible for maintaining the settings of several computers.

After you set an Administrator Password, a password prompt is displayed every time you access the Lenovo BIOS Setup Utility program.

If both the Administrator and Power-On Password are set, you can type either password. However, you must use your Administrator Password to change any configuration settings.

Setting, changing, or deleting an Administrator password

To set an Administrator Password, do the following:

Note: A password can be any combination of letters and numbers up to 16 character (a-z, and 0-9). For more information, see “Password considerations” on page 13.

1. Start the Lenovo BIOS Setup Utility program (see “Starting the Lenovo BIOS Setup Utility program” on page 13).
2. From the **Security** menu, select **Set Administrator Password** and press the **Enter** key.
3. The password dialog box will be displayed. Type the password then press the **Enter** key.
4. Re-type the password to confirm, then press the **Enter** key. If you type the password correctly, the password will be installed.

To change an Administrator Password, do the following:

1. Start the Lenovo BIOS Setup Utility program (see “Starting the Lenovo BIOS Setup Utility program” on page 13).
2. From the **Security** menu, select **Set Administrator Password** and press the **Enter** key.
3. The password dialog box will be displayed. Type the current password then press **Enter** key.
4. Type the new password, then press **Enter** key. Re-type the password to confirm the new password, if you type the new password correctly, the new password will be installed. A Setup Notice will display that changes have been saved.

To delete a previously set Administrator Password, do the following :

1. From the **Security** menu, select **Set Administrator Password** and press the **Enter** key.
2. The password dialog box will be displayed. Type the current password and press the **Enter** key.
3. To delete an **Administrator Password**, **Enter** blank fields for each new password line item. A setup notice will display that changes have been saved.
4. Return to the Lenovo BIOS Setup Utility program menu and select the **Exit** option.
5. Select **Save changes and Exit** from the menu.

Power-On Password

When a Power-On Password is set, you cannot start the Lenovo BIOS Setup Utility program until a valid password is typed from the keyboard.

Setting, changing, or deleting a Power-On Password

Note: A password can be any combination of letters and numbers up to 16 character (a-z, and 0-9).

To set a Power-On Password, do the following:

1. Start the Lenovo BIOS Setup Utility program (See "Starting the Lenovo BIOS Setup Utility program" on page 13.)
2. From the **Security** menu, select **Set Power-On Password** and press the **Enter** key.
3. The password dialog box will be displayed. Type the password, and press the **Enter** key.
4. Re-type the password to confirm, if you type the password correctly, the password will be installed.

To change a Power-On Password, do the following:

1. Start the Lenovo BIOS Setup Utility program (See "Starting the Lenovo BIOS Setup Utility program" on page 13.)
2. From the **Security** menu, select **Set Power-On Password** and press the **Enter** key.
3. The password dialog box will be displayed. Type the current password then press the **Enter** key.
4. Type the new password, then press the **Enter** key. Re-type the password to confirm the new password, if you type the new password correctly, the new password will be installed. A setup notice will display that changes have been saved.

To delete a previously set Power-On Password, do the following :

1. From the **Security** menu, select **Set Power-On Password** and press the **Enter** key.
2. The password dialog box will be displayed. Type the current password and press the **Enter** key.
3. To delete the **Power-On Password**, **Enter** blank fields for each new password line item. A setup notice will display that changes have been saved.
4. Return to the Lenovo BIOS Setup Utility program menu and select the **Exit** option.
5. Select **Save changes and Exit** from the menu.

Enabling or disabling a device

| | |
|---|---|
| The Devices options is used to enable or disable user access to the following devices: | |
| Serial Port Setup | Select this option to enable or disable Serial Port (com). |
| USB Functions | Select whether to enable or disable USB (Universal Serial Bus) functions. If it is disabled, the USB keyboard and/or USB mouse may be not able to be used without device driver support. |
| ATA Drive Setup | Select IDE, ACHI mode or disable SATA controller. Device driver support is required for ACHI mode. Depending on how the hard disk image was installed, changing this setting may prevent the system from booting. |
| Video Setup | To configure video related functions. This option allows you to configure system's initiate graphic adapter from either IGD (Integrated Graphics Device) or PEG (PCI Express Graphics). Keep on the IGD enabled based on the setup options. |

| | |
|--|---|
| Onboard Audio Controller | Select whether to enable or disable the Onboard Audio Controller , when feature is set to Disabled all devices connected to the audio connectors (e.g. a headphone or a microphone) are disabled and can't be used. |
| Onboard Ethernet Controller or LAN Boot Agent | Select whether to enable or disable Onboard Ethernet Controller , or select whether to enable or disable load onboard PXE (Preboot Execution Environment) , or SMC (Secure Managed Client) . This feature will allow the computer to boot from a server image. |

To enable or disable a device, do the following:

1. Start the Setup Utility program (see “Starting the Setup Utility program” on page 13).
2. From the Setup Utility program menu, select **Devices**.
3. Select:

Serial Port Setup press the **Enter** key, and then select **Serial Port Setup**.

USB Setup press the **Enter** key, and then select **USB Functions**.

ATA Device Setup press the **Enter** key. Select **Configure SATA as**, press the **Enter** key and then select SATA mode.

Video Setup press the **Enter** key, and then select **Video Setup**.

Audio Setup press the **Enter** key, and then select **Onboard Audio Controller**.

Network Setup press the **Enter** key, then select **Onboard Ethernet Support** or **LAN Boot Agent**.

4. Select **Disabled** or **Enabled** and press the **Enter** key.
5. Return to the Lenovo BIOS Setup Utility program menu and select the **Exit** option.
6. Select **Save changes and Exit** from the menu.

Note: If you do not want to save the settings, select **Discard changes and Exit** from the menu.

Selecting a startup device

If your computer does not boot from a device such as the CD/DVD-ROM drive disk or hard disk as expected, follow one of the procedures below.

Selecting a temporary startup device

Use this procedure to startup from any boot device.

Note: Not all CDs, DVDs or hard disk drives are bootable.

1. Turn off your computer.
2. Press and hold the **F12** key then turn on the computer. When the **Startup Device Menu** appears, release the **F12** key.

Note: If the **Startup Device Menu** does not display using these steps, repeatedly press and release the **F12** key rather than keeping it pressed when turning on the computer.

3. Use **↑** and **↓** arrows to select the desired startup device from the **Startup Device Menu** and press the **Enter** key to begin.

Note: Selecting a startup device from the **Startup Device Menu** does not permanently change the startup sequence.

Selecting or changing the startup device sequence

To view or permanently change the configured startup device sequence, do the following:

1. Start the Lenovo BIOS Setup Utility program (see “Starting the Lenovo BIOS Setup Utility program” on page 13).
2. From the Lenovo BIOS Setup Utility program main menu, select the **Startup** option.
3. Press the **Enter** key, and select the devices for the **Primary Boot Sequence**. Read the information displayed on the right side of the screen.
4. Use - and $\bar{\text{~}}$ arrows to select a device. Use the <+> or <-> keys to move a device up or down. Use the <x> key to exclude the device from or include the device in the boot sequence.
5. Return to the Lenovo BIOS Setup Utility program menu and select the **Exit** option.
6. Select **Save changes and Exit** from the menu.

Notes:

- a. If you do not want to save the settings, select **Discard changes and Exit** from the menu.
- b. If you have changed these settings and want to return to the default settings, select **Load Optimal Defaults** from the menu.

Exiting the Lenovo BIOS Setup Utility program

After you finish viewing or changing settings, press the **Esc** key to return to the Lenovo BIOS Setup Utility program main menu. You might have to press the **Esc** key several times. Do one of the following:

- If you want to save the new settings, select **Save changes and Exit** from the menu. When the **Save & reset** window shows, select the **Yes** button, and then press the **Enter** key to exit the Lenovo BIOS Setup Utility program.
- If you do not want to save the settings, select **Discard changes and Exit** from the menu. When the **Reset Without Saving** window shows, select the **Yes** button, and then press the **Enter** key to exit the Setup Utility program.

Chapter 6. Symptom-to-FRU Index

The Symptom-to-FRU index lists error symptoms and possible causes. The most likely cause is listed first. Always begin with Chapter 4, “General Checkout,” on page 11. This index can also be used to help you decide which FRUs to have available when servicing a computer. If you are unable to correct the problem using this index, go to “Undetermined problems” on page 20.

Notes:

- If you have both an error message and an incorrect audio response, diagnose the error message first.
- If you cannot run the diagnostic tests or you get a diagnostic error code when running a test but did receive a POST error message, diagnose the POST error message first.
- If you did not receive any error message look for a description of your error symptoms in the first part of this index.

Hard disk drive boot error

A hard disk drive boot error can have the following causes.

| Error | FRU/Action |
|--|--|
| The startup drive is not included in the boot sequence in configuration. | Check the configuration and ensure the startup drive is in the boot sequence. |
| No operating system installed on the boot drive. | Install an operating system on the boot drive. |
| The boot sector on the startup drive is corrupted. | The drive must be formatted. Do the following: <ol style="list-style-type: none">1. Attempt to back-up the data on the failing hard disk drive.2. Use the operating system to format the hard disk drive. |
| The drive is defective. | Replace the hard disk drive. |

Power Supply Problems

Follow these procedures if you suspect there is a power supply problem.

| Check/Verify | FRU/Action |
|---|-------------------|
| Check that the following are properly installed: <ul style="list-style-type: none">• Power Cord• On/Off Switch connector• System Board Power Supply connectors• Microprocessor(s) connection | Reseat connectors |
| Check the power cord. | Power Cord |
| Check the power-on switch. | Power-on Switch |

POST error codes

Each time you turn the computer on, it performs a series of tests to check that the system is operating correctly and that certain options are set. This series of tests is called the *Power-On Self-Test*, or *POST*. POST does the following:

- Checks some basic system-board operations
- Checks that the memory is working correctly
- Starts video operations
- Verifies that the boot drive is working

| POST Error Message | Description/Action |
|---|---|
| Keyboard error | Cannot initialize the keyboard. Make sure the keyboard is properly connected to the computer and that no keys are held pressed during POST. To purposely configure the computer without a keyboard, select Keyboardless operation in Startup option to Enabled . The BIOS then ignores the missing keyboard during POST. |
| Reboot and Select proper Boot device or Insert Boot Media in selected Boot device | The BIOS was unable to find a suitable boot device. Make sure the boot drive is properly connected to the computer. Make sure you have bootable media in the boot device. |

Undetermined problems

1. Power-off the computer.
2. Remove or disconnect the following components (if connected or installed) one at a time.
 - a. External devices (modem, printer, or mouse)
 - b. Extended video memory
 - c. External Cache
 - d. External Cache RAM
 - e. Hard disk drive
 - f. Disk drive
3. Power-on the computer to re-test the system.
4. Repeat steps 1 through 3 until you find the failing device or component.

If all devices and components have been removed and the problem continues, replace the system board.

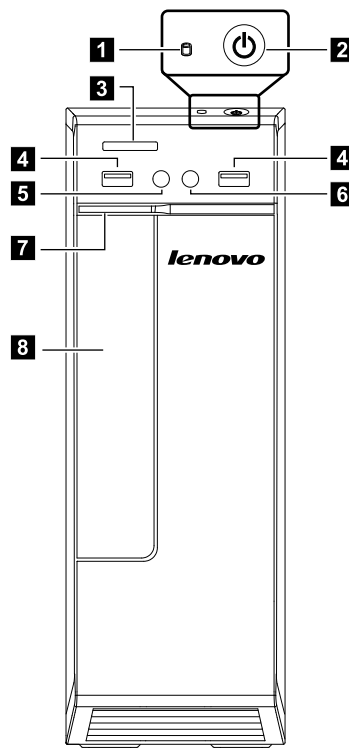
Chapter 7. Locating connectors, controls and components

This section provides illustrations to help locate the various connectors, controls and components of the computer.

Font view

The following illustration shows the location of controls and components on the front of the computer.

Attention: Be careful not to block any air vents on the computer. Blocked air vents can cause overheating.

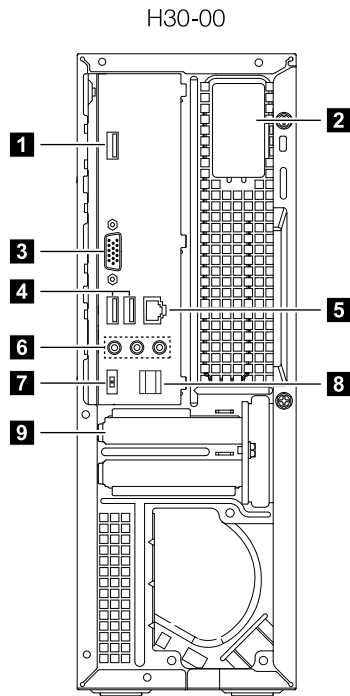


| | |
|--|---|
| 1. Hard disk drive indicator | 5. Headphone connector |
| 2. Power button | 6. Microphone connector |
| 3. Memory card reader (selected models only) | 7. Optical drive eject button |
| 4. USB 2.0 connectors (2) | 8. Optical Drive (selected models only) |

Attention: The effective range of the Built-in IR Emitter is 10 feet (3m).

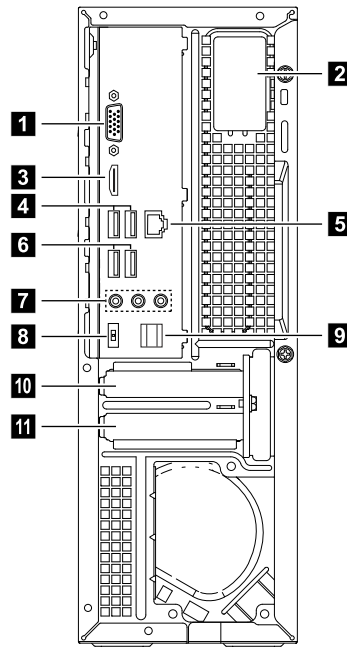
Rear view

The following illustration shows the location of connectors and components on the rear of the computer.



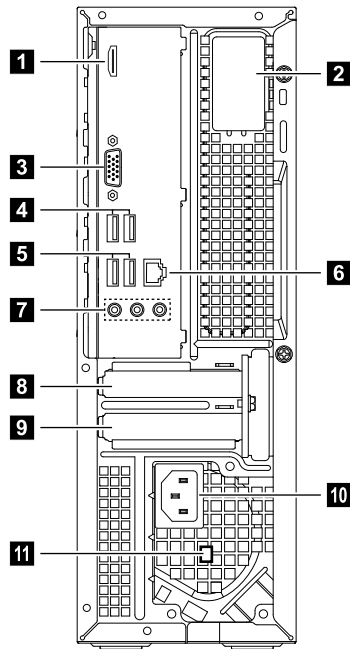
| | |
|--|------------------------|
| 1. USB 3.0 connector | 6. Audio connectors |
| 2. WiFi antenna (selected models only) | 7. Power connector |
| 3. On-board VGA connector | 8. Cable clip |
| 4. USB 2.0 connectors (2) | 9. Expansion card slot |
| 5. Ethernet connector | |

H30-05



| | |
|--|--|
| 1. On-board VGA connector | 7. Audio connectors |
| 2. Wi-Fi antenna (selected models only) | 8. Power connector |
| 3. HDMI connector (selected models only) | 9. Cable clip |
| 4. USB 2.0 connectors (2) | 10. PCI Express X 16 graphics adapter slot (some models are equipped with a graphics card) |
| 5. Ethernet connector | 11. PCI Express X 1 adapter slot (some models are equipped with USB 3.0 or TV tuner card) |
| 6. USB 3.0 connectors (2) | |

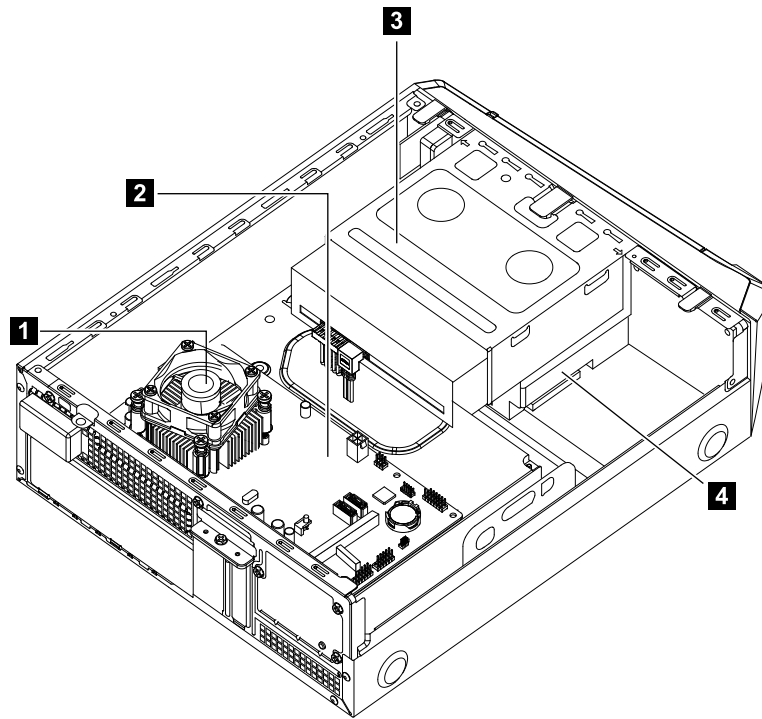
H30-50



| | |
|--|---|
| 1. HDMI connector (selected models only) | 7. Audio connectors |
| 2. Wi-Fi antenna (selected models only) | 8. PCI Express X 16 graphics adapter slot (some models are equipped with a graphics card) |
| 3. On-board VGA connector | 9. PCI Express X 1 adapter slot (some models are equipped with USB 3.0 or TV tuner card) |
| 4. USB 3.0 connectors (2) | 10. Power connector |
| 5. USB 2.0 connectors (2) | 11. Voltage selection switch (selected models only) |
| 6. Ethernet connector | |

Hardware components

The following illustration shows the components that make up your computer.

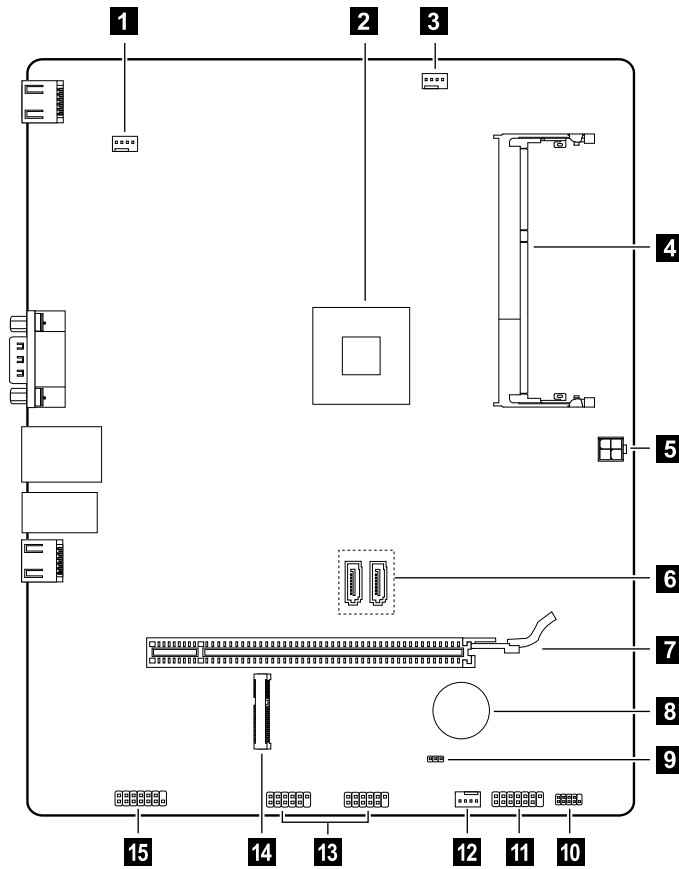


| | |
|--------------------------|-------------------------------|
| 1. Heat-sink and CPU fan | 3. Optical disk drive and bay |
| 2. System board | 4. Hard disk drive |

Identifying parts on the motherboard

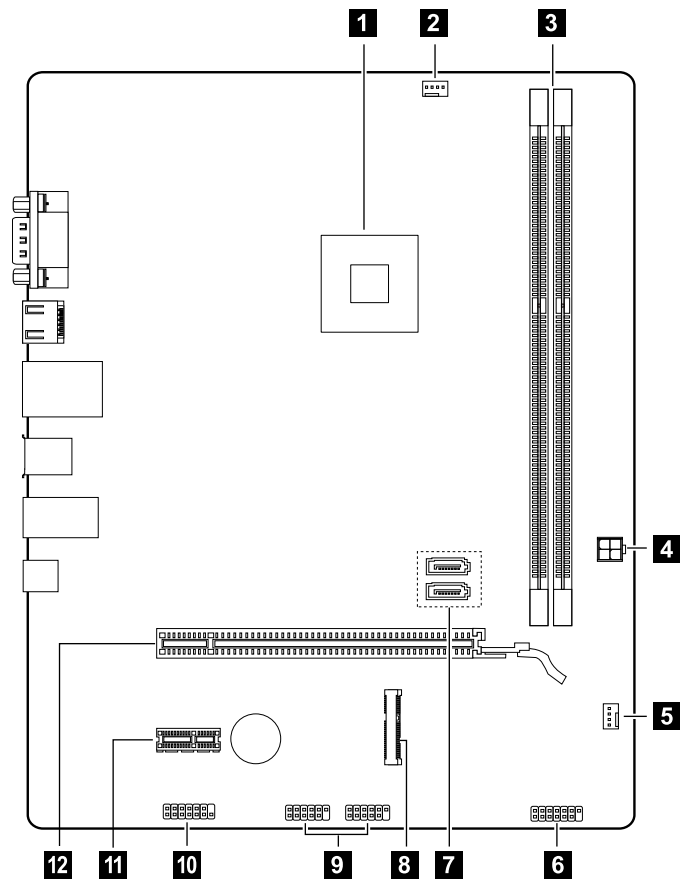
The motherboard (sometimes called the planar or system board) is the main circuit board in your computer. It provides basic computing functions and supports a variety of devices that are factory-installed or that you can install later. The following illustration shows the location of connectors and components on the front of the motherboard.

Lenovo H30-00



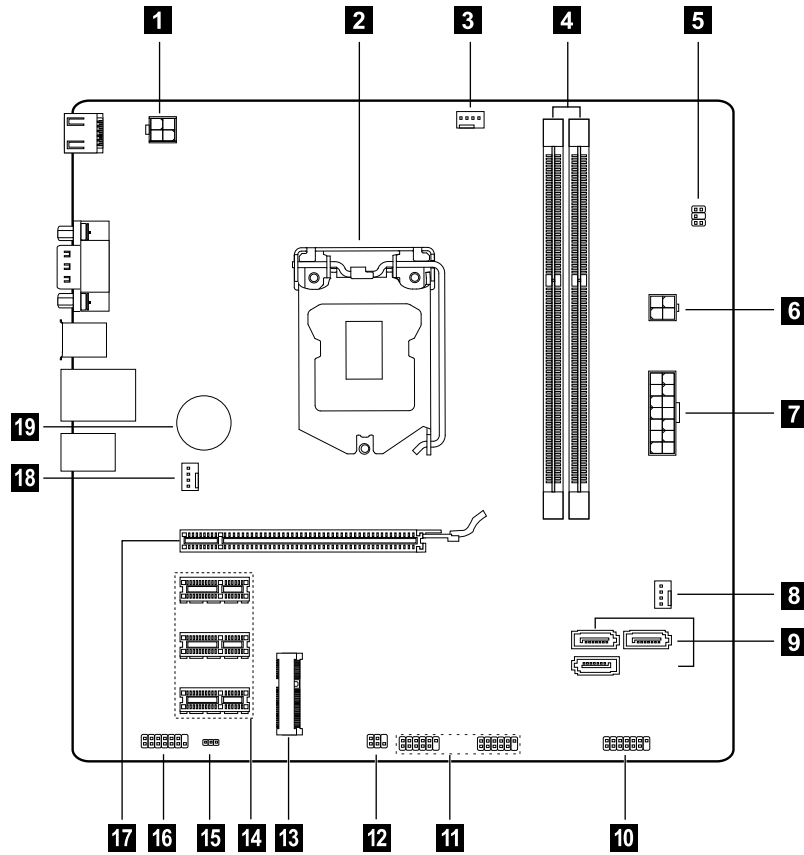
| | |
|---|------------------------------|
| 1. System fan header | 9. Clear CMOS jumper |
| 2. Microprocessor and heat sink | 10. LPC debug header |
| 3. Microprocessor fan header | 11. Front panel connector |
| 4. Memory connector | 12. Power fan header |
| 5. Hard disk and optical disk drive power connector | 13. Front USB connectors (2) |
| 6. SATA connectors (2) | 14. Mini PCI-E slot |
| 7. PCI express X 16 adapter slot | 15. Front audio connector |
| 8. Battery | |

Lenovo H30-05



| | |
|------------------------------------|-----------------------------------|
| 1. Microprocessor and heat sink | 7. SATA connectors (2) |
| 2. Microprocessor fan header | 8. Mini PCI-E slot |
| 3. Memory slots (2) | 9. Front USB connectors (2) |
| 4. Hard disk drive power connector | 10. Front audio connector |
| 5. Clear CMOS jumper | 11. PCI express X 1 adapter slot |
| 6. Front panel connector | 12. PCI express X 16 adapter slot |

Lenovo H30-50



| | |
|------------------------------------|---------------------------------------|
| 1. 12V power connector | 11. Front USB connectors (2) |
| 2. Microprocessor and heat sink | 12. LPC debug header |
| 3. Microprocessor fan header | 13. Mini PCI-E slot |
| 4. Memory slots (2) | 14. PCI express X 1 adapter slots (3) |
| 5. Thermal sensor header | 15. Clear CMOS jumper |
| 6. Hard disk drive power connector | 16. Front audio connector |
| 7. Power connector | 17. PCI express X 16 adapter slot |
| 8. Power fan header | 18. System fan header |
| 9. SATA connectors (3) | 19. Battery |
| 10. Front panel connector | |

Chapter 8. Replacing hardware

Attention: Do not remove the computer cover or attempt any repair before reading the “Important safety information” in the Safety and Warranty Guide that was included with your computer. To obtain copies of the Safety and Warranty Guide, go to the Support Web site at: <http://consumersupport.lenovo.com>.

Note: Use only parts provided by Lenovo.

General information

Pre-disassembly instructions

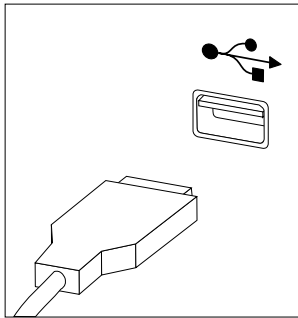
Before proceeding with the disassembly procedure, make sure that you do the following:

1. Turn off the power to the system and all peripherals.
2. Unplug all power and signal cables from the computer.
3. Place the system on a flat, stable surface.

Replacing the keyboard and mouse

To replace the keyboard and mouse

- Step 1. Remove any media (disks, CDs, DVDs or memory cards) from the drives, shut down the operating system, and turn off the computer and all attached devices.
- Step 2. Unplug all power cords from electrical outlets.
- Step 3. Disconnect all cables attached to the computer. This includes power cords, input/output (I/O) cables, and any other cables that are connected to the computer. Refer to “Left and right view” and “Rear view” for help with locating the various connectors.



Note: Your keyboard will be connected to a USB connector on one side or at the rear of the computer.

- Step 4. Disconnect the defective keyboard cable from the computer and connect the new keyboard cable to the same connector.

Note: The mouse can be replaced using the same method.

Removing the computer cover

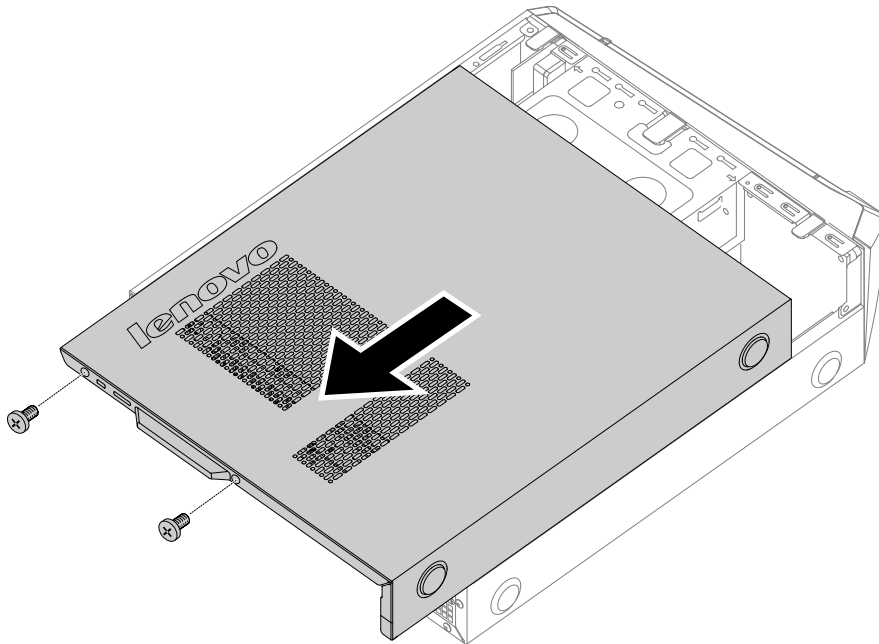
Attention: Turn off the computer and wait 3 to 5 minutes to let it cool down before removing the cover.

Note: It may be helpful to place the computer face-down on a soft flat surface for this procedure. Lenovo recommends that you use a blanket, towel, or other soft cloth to protect the computer screen from scratches or other damage.

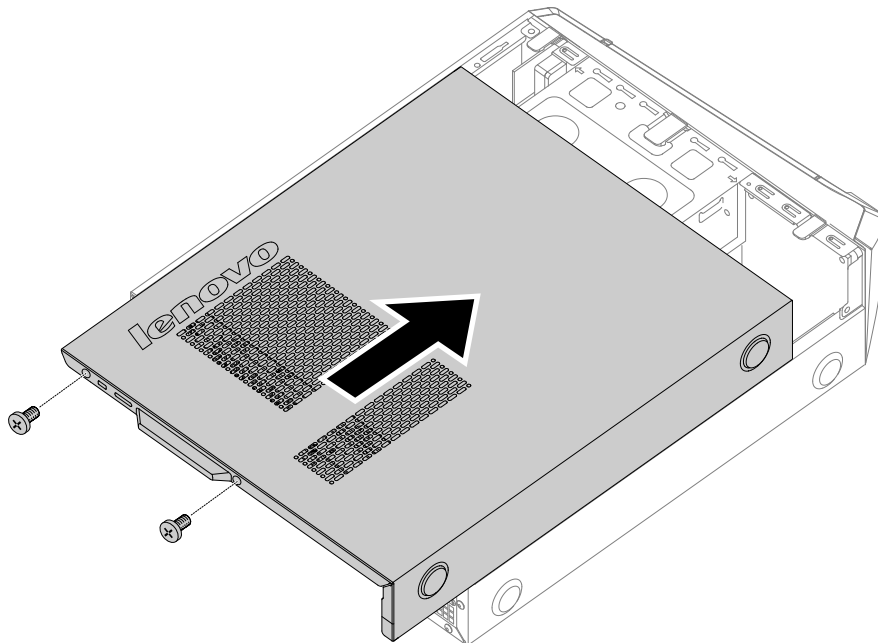
To remove the computer cover:

- Step 1. Remove any media (disks, CDs, DVDs, or memory cards) from the drives, shut down the operating system, and turn off the computer and all attached devices.
- Step 2. Unplug all power cords from electrical outlets.
- Step 3. Disconnect all cables attached to the computer. This includes power cords, input/output (I/O) cables, and any other cables that are connected to the computer. Refer to “Left and right view” and “Rear view” for help with locating the various connectors.

Step 4. Remove the 2 screws that secure the computer cover at the rear of the chassis.



- Step 5. To reinstall the computer cover:
- Line up the computer cover with the chassis then slide it back.
 - Secure the computer cover to the chassis with the screws.



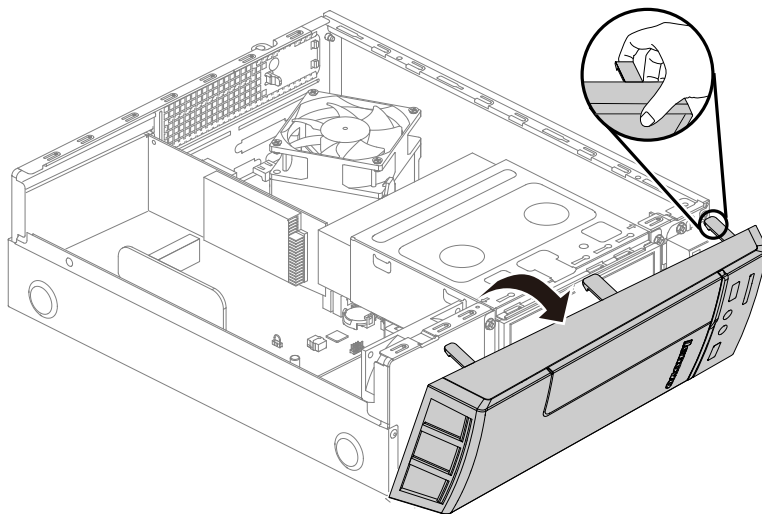
Removing the front bezel

Attention: Turn off the computer and wait 3 to 5 minutes to let it cool down before removing the cover.

Note: It may be helpful to place the computer face-down on a soft flat surface for this procedure. Lenovo recommends that you use a blanket, towel, or other soft cloth to protect the computer screen from scratches or other damage.

To remove the front bezel:

- Step 1. Remove any media (disks, CDs, DVDs, or memory cards) from the drives, shut down the operating system, and turn off the computer and all attached devices.
- Step 2. Unplug all power cords from electrical outlets.
- Step 3. Disconnect all cables attached to the computer. This includes power cords, input/output (I/O) cables, and any other cables that are connected to the computer. Refer to “Left and right view” and “Rear view” for help with locating the various connectors.
- Step 4. Remove the computer cover. Refer to “Removing the computer cover”.
- Step 5. Remove the front bezel by releasing the three plastic tabs inside the chassis and pushing the bezel outward as shown.



- Step 6. To reattach the bezel:
 - a. Align the plastic tabs on the bottom of the bezel with the corresponding holes in the chassis, and then snap it into position at the bottom and top of the chassis.
- Step 7. Reattach the computer cover.

Replacing an optical drive

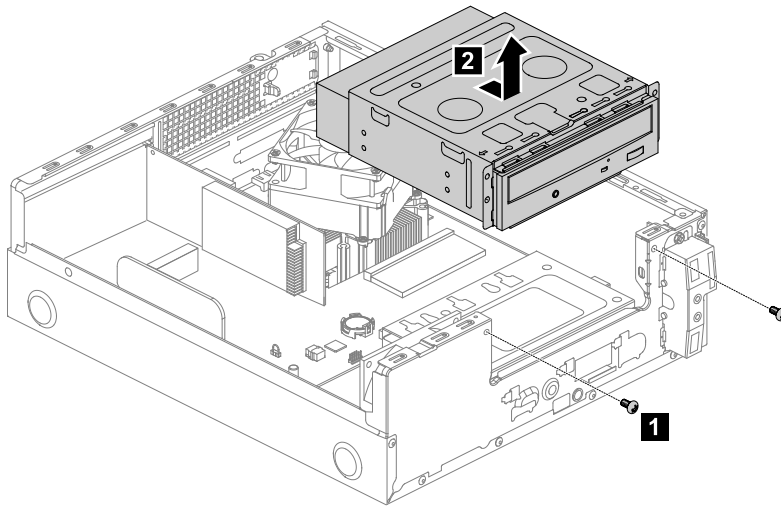
Note: For this procedure, it helps to lay the computer flat.

To replace an optical drive:

- Step 1. Remove any media (disks, CDs, DVDs, or memory cards) from the drives, shut down the operating system, and turn off the computer and all attached devices.
- Step 2. Unplug all power cords from electrical outlets.
- Step 3. Disconnect all cables attached to the computer. This includes power cords, input/output (I/O) cables, and any other cables that are connected to the computer. Refer to “Left and right view” and “Rear view” for help with locating the various connectors.
- Step 4. Remove the computer cover. Refer to “Removing the computer cover”.
- Step 5. Remove the front bezel. Refer to “Removing the front bezel”.

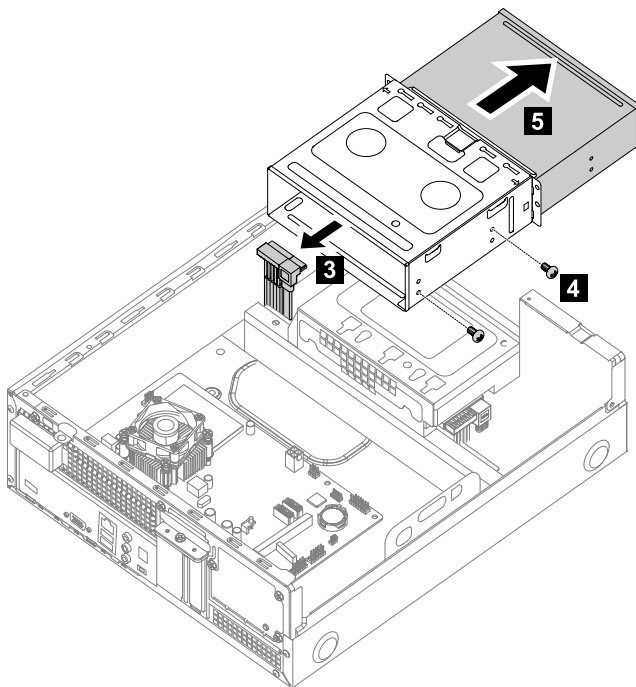
Step 6. Remove the 2 screws that secure the optical disk drive bay to the chassis. **1**

Step 7. Slide out the optical disk drive bay, then lift it up. **2**



Step 8. Disconnect the data and power cables from the rear of the optical drive. **3**

Step 9. Remove the 2 screws that secure the optical drive to the optical drive bay **4** and push the optical drive straight out of the front of the drive bay. **5**



Step 10. To install the new optical drive:

- a. Slide the new optical drive into the bay from the front, then attach it to the drive bay with the screws.
- b. Connect the data and power cables to the new optical drive.
- c. Slide the optical disk drive bay back, then push it in and reattach it to the chassis with the screws.

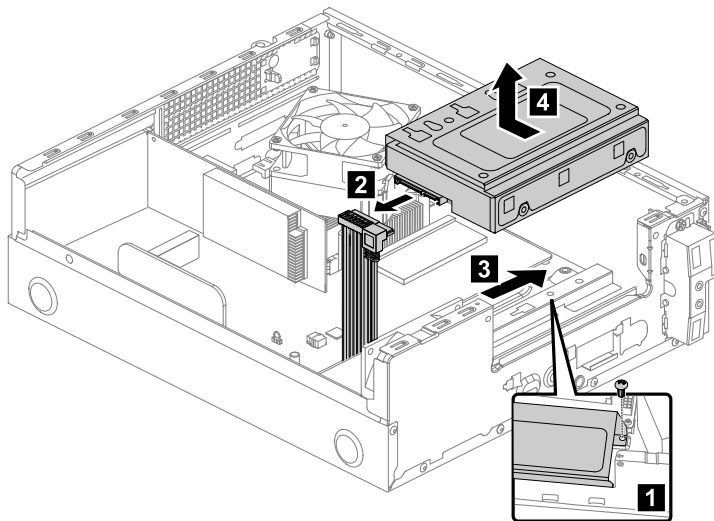
Step 11. Reattach the front bezel, computer cover.

Replacing the hard disk drive

Note: For this procedure, it helps to lay the computer flat.

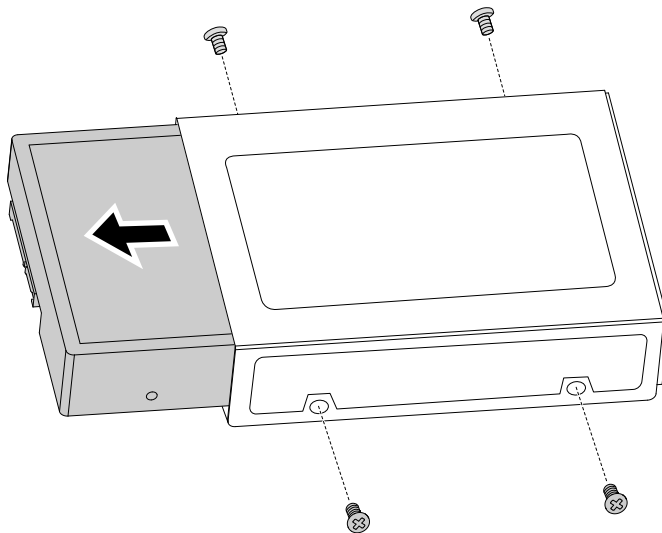
To replace the hard disk drive:

- Step 1. Remove any media (disks, CDs, DVDs, or memory cards) from the drives, shut down the operating system, and turn off the computer and all attached devices.
- Step 2. Unplug all power cords from electrical outlets.
- Step 3. Disconnect all cables attached to the computer. This includes power cords, input/output (I/O) cables, and any other cables that are connected to the computer. Refer to “Left and right view” and “Rear view” for help with locating the various connectors.
- Step 4. Remove the computer cover. Refer to “Removing the computer cover”.
- Step 5. Remove the front bezel. Refer to “Removing the front bezel”.
- Step 6. Remove the optical disk drive bay. Refer to “Replacing an optical drive”.
- Step 7. Remove the screw that secures the hard disk drive bay to the chassis.
- Step 8. Slide out the hard disk drive bay, then lift it up. Disconnect the data and power cables from the hard disk drive.



- Step 9. Remove the 4 screws that secure the hard disk drive to the bay.

Step 10. Slide the hard disk drive out of the bay.



Step 11. Install the new hard disk drive :

- a. Insert the new hard disk drive into the drive bay.
- b. Screw back the 4 screws on the drive bay.
- c. Attach the data and power cables to the new hard disk drive.
- d. Line up the hard disk drive bay, then slide it in. Reattach it to the chassis with the screws.

Step 12. Reattach the optical drive, front bezel and computer cover.

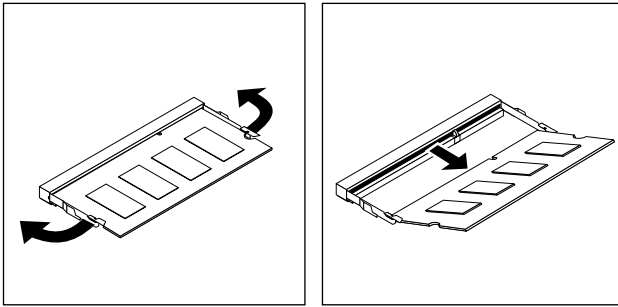
Replacing a memory module

Note: For this procedure, it helps to lay the computer flat.

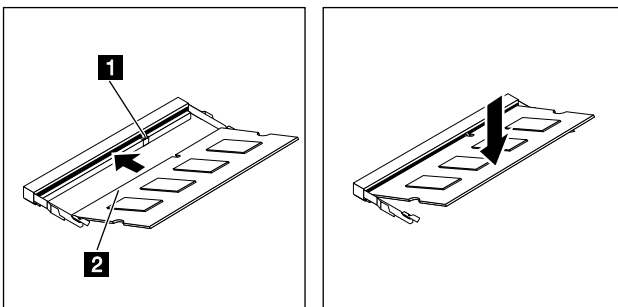
To replace an optical drive:

- Step 1. Remove any media (disks, CDs, DVDs, or memory cards) from the drives, shut down the operating system, and turn off the computer and all attached devices.
- Step 2. Unplug all power cords from electrical outlets.
- Step 3. Disconnect all cables attached to the computer. This includes power cords, input/output (I/O) cables, and any other cables that are connected to the computer. Refer to “Left and right view” and “Rear view” for help with locating the various connectors.
- Step 4. Remove the computer cover. Refer to “Removing the computer cover”.
- Step 5. Locate the memory module connectors. Refer to “Locating components”.
- Step 6. **For Lenovo H30–00 refer to the below instructions:**

Step 7. Remove the memory module being replaced by opening the retaining clips as shown.

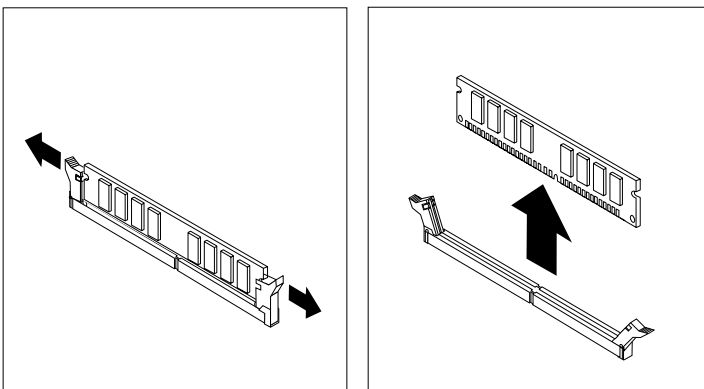


Step 8. Insert the notched end **1** of the new memory module into the slot. Press the memory module firmly and pivot the memory module until it snaps into place. Make sure that the memory module is secured in the slot and does not move easily.

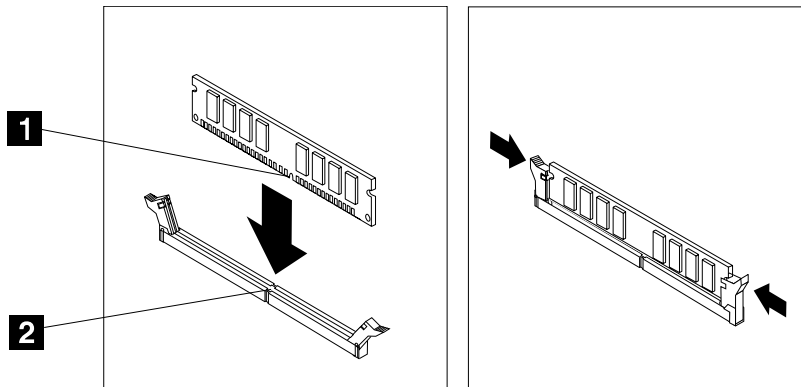


Step 9. **For Lenovo H30-05 and H30-50 refer to the below instructions:**

Step 10. Remove the memory module being replaced by opening the retaining clips as shown.



Step 11. Position the new memory module over the memory connector. Make sure the notch **1** on the memory module is correctly aligned with the connector key **2** on the system board. Push the memory module straight down into the connector until the retaining clips close.



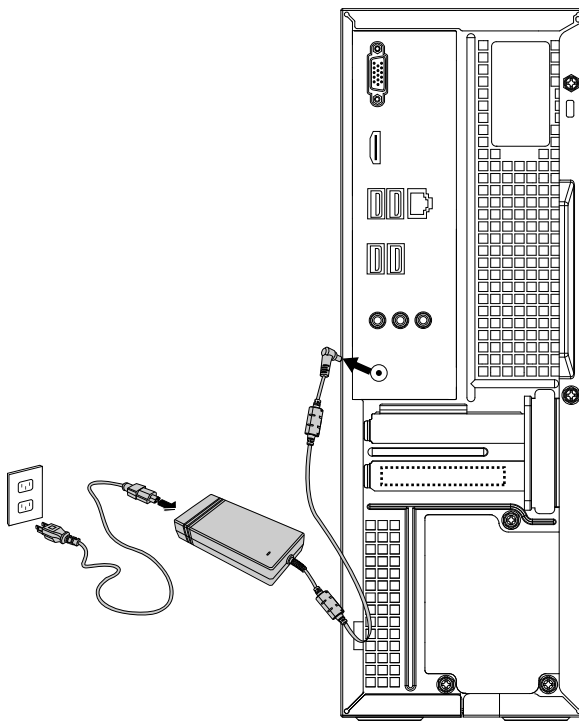
Step 12. Reattach the computer cover.

Replacing the adapter

Note: For this procedure, it helps to lay the computer flat.

To replace the adapter:

- Step 1. Remove any media (disks, CDs, DVDs, or memory cards) from the drives, shut down the operating system, and turn off the computer and all attached devices.
- Step 2. Disconnect the power cables from the connectors on motherboard.

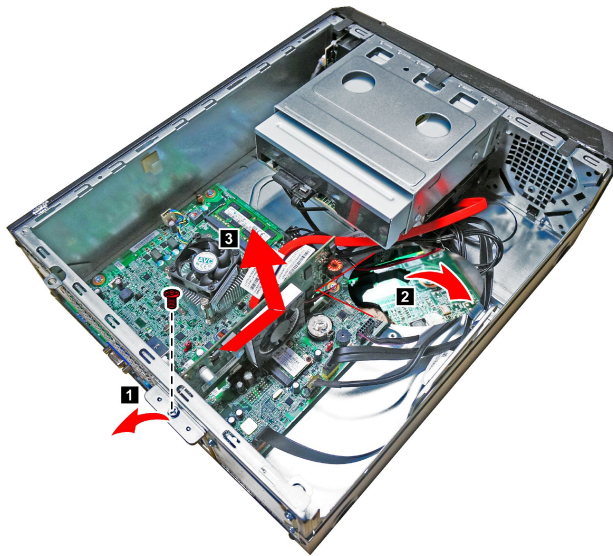


- Step 3. Install the new adapter :
 - a. Connect the power cables to the connectors on the motherboard.

Replacing the graphic card

To replace the graphic card:

- Step 1. Remove any media (disks, CDs, DVDs, or memory cards) from the drives, shut down the operating system, and turn off the computer and all attached devices.
- Step 2. Unplug all power cords from electrical outlets.
- Step 3. Disconnect all cables attached to the computer. This includes power cords, input/output (I/O) cables, and any other cables that are connected to the computer. Refer to “Left and right view” and “Rear view” for help with locating the various connectors.
- Step 4. Remove the computer cover. Refer to “Removing the computer cover”.
- Step 5. Remove the screw that secures the graphic card to the chassis, and slide out the metal bracket. **1**
- Step 6. Push the pin that lock the graphic card **2**, and pull it up then slide it out to remove it. **3**



- Step 7. To install the new graphic card:
 - a. Slide then insert the new graphic card to the same connector on the motherboard.
 - b. Reattach the metal bracket back into position and secure the graphic card to the chassis with the screw.
- Step 8. Reattach the computer cover.

Replacing the microprocessor fan

To replace the microprocessor fan:

- Step 1. Remove any media (disks, CDs, DVDs, or memory cards) from the drives, shut down the operating system, and turn off the computer and all attached devices.
- Step 2. Unplug all power cords from electrical outlets.
- Step 3. Disconnect all cables attached to the computer. This includes power cords, input/output (I/O) cables, and any other cables that are connected to the computer. Refer to “Left and right view” and “Rear view” for help with locating the various connectors.
- Step 4. Remove the computer cover. Refer to “Removing the computer cover”.

- Step 5. Disconnect the fan power cable from the connector on the motherboard.
- Step 6. Remove the 4 screws that secure the microprocessor fan to the heat-sink and lift up the microprocessor fan to remove it.



- Step 7. To install the new microprocessor fan:
- Line up the new microprocessor fan with the heat-sink and secure it to the heat-sink with 4 screws.
 - Connect the microprocessor fan power cable to the connector on the board.
- Step 8. Reattach the computer cover.

Replacing the heat-sink

Note: For this procedure, it helps to lay the computer flat.

To replace the heat-sink:

- Step 1. Remove any media (disks, CDs, DVDs, or memory cards) from the drives, shut down the operating system, and turn off the computer and all attached devices.
- Step 2. Unplug all power cords from electrical outlets.
- Step 3. Disconnect all cables attached to the computer. This includes power cords, input/output (I/O) cables, and any other cables that are connected to the computer. Refer to “Left and right view” and “Rear view” for help with locating the various connectors.
- Step 4. Remove the computer cover. Refer to “Removing the computer cover”.
- Step 5. Remove the microprocessor fan. Refer to “Replacing the microprocessor fan”.

- Step 6. Remove the 4 screws that secure the heat-sink to the motherboard.
Step 7. Lift up the heat-sink to remove it.



- Step 8. Install the new heat-sink :
- Line up the screws on the new heat-sink with mounting holes on the motherboard and secure it with the 4 screws.
 - Reattach the microprocessor fan to the heat-sink.
 - Reconnect the microprocessor fan power cable to the connector on the motherboard.
- Step 9. Reattach the computer cover.

Replacing the Wi-Fi card

Note: For this procedure, it helps to lay the computer flat.

To replace the Wi-Fi card:

- Remove any media (disks, CDs, DVDs, or memory cards) from the drives, shut down the operating system, and turn off the computer and all attached devices.
- Unplug all power cords from electrical outlets.
- Disconnect all cables attached to the computer. This includes power cords, input/output (I/O) cables, and any other cables that are connected to the computer. Refer to “Left and right view” and “Rear view” for help with locating the various connectors.
- Remove the computer cover. Refer to “Removing the computer cover”.
- Remove the graphic card. Refer to “Replacing the graphic card”.

- Step 6. Disconnect the 2 antenna cables from the Wi-Fi card.
- Step 7. Remove the 2 screws that secure the Wi-Fi card to the motherboard.
- Step 8. Pull the Wi-Fi card upward to remove it from the card port.



- Step 9. Install the new Wi-Fi card:
 - a. Line up the new Wi-Fi card, then insert it into the same card port.
 - b. Secure the Wi-Fi card to the motherboard with the 2 screws.
 - c. Connect the 2 antenna cables to the new Wi-Fi card.
- Step 10. Reattach the computer cover.

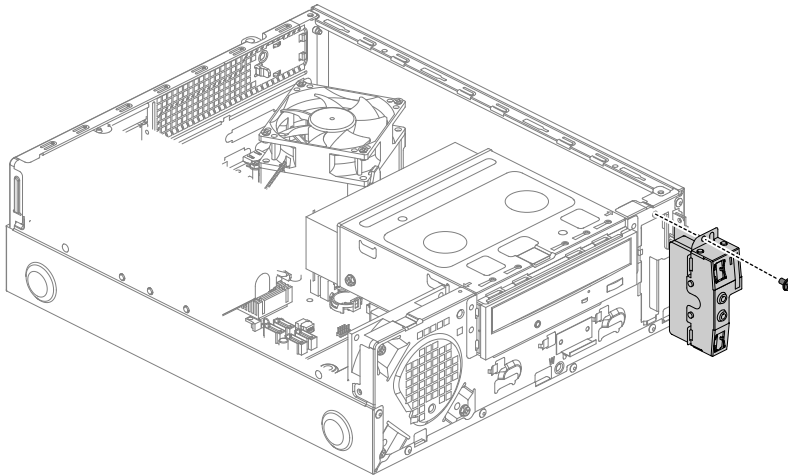
Replacing the front USB/card reader/audio module

Note: For this procedure, it helps to lay the computer flat.

To replace the the front USB/card reader/audio module:

- Step 1. Remove any media (disks, CDs, DVDs, or memory cards) from the drives, shut down the operating system, and turn off the computer and all attached devices.
- Step 2. Unplug all power cords from electrical outlets.
- Step 3. Disconnect all cables attached to the computer. This includes power cords, input/output (I/O) cables, and any other cables that are connected to the computer. Refer to “Left and right view” and “Rear view” for help with locating the various connectors.
- Step 4. Remove the computer cover. Refer to “Removing the computer cover”.
- Step 5. Remove the front bezel. Refer to “Removing the front bezel”.
- Step 6. Remove the optical drive. Refer to “Replacing the optical drive”.
- Step 7. Remove the hard disk drive. Refer to “Replacing the hard disk drive”.
- Step 8. Remove the power supply. Refer to “Replacing the power supply”.
- Step 9. Disconnect the data cables from the connectors on motherboard.
- Step 10. Remove the screw that secures the front USB/card reader/audio module to the chassis.

Step 11. Slide out the front USB/card reader/audio module out of chassis.



Step 12. Install the new front USB/card reader/audio module:

- a. Slide the front USB/card reader/audio module in and secure it with screw.
- b. Connect the data cables to the motherboard.
- c. Reattach the power supply, hard disk drive and optical drive.

Step 13. Reattach the front bezel, computer cover.

Replacing the motherboard

Note: For this procedure, it helps to lay the computer flat.

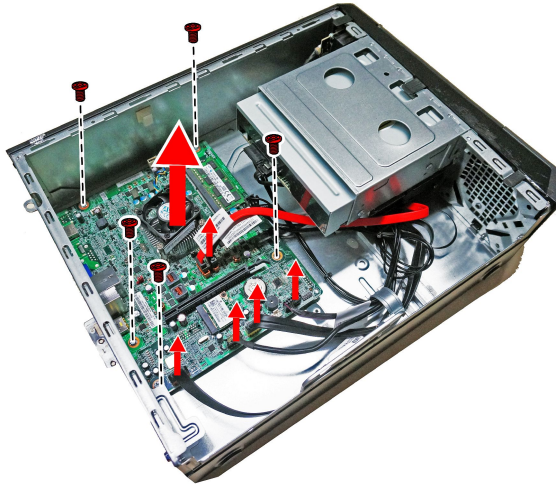
To replace the motherboard:

- Step 1. Remove any media (disks, CDs, DVDs, or memory cards) from the drives, shut down the operating system, and turn off the computer and all attached devices.
- Step 2. Unplug all power cords from electrical outlets.
- Step 3. Disconnect all cables attached to the computer. This includes power cords, input/output (I/O) cables, and any other cables that are connected to the computer. Refer to “Left and right view” and “Rear view” for help with locating the various connectors.
- Step 4. Remove the computer cover. Refer to “Removing the computer cover”.
- Step 5. Remove the front bezel. Refer to “Removing the front bezel”.
- Step 6. Remove the memory module. Refer to “Replacing a memory module”.
- Step 7. Remove the optical drive. Refer to “Replacing the optical drive”.
- Step 8. Remove the hard disk drive. Refer to “Replacing the hard disk drive”.
- Step 9. Remove the microprocessor fan. Refer to “Replacing the microprocessor fan”.
- Step 10. Remove the heat-sink. Refer to “Replacing the heat-sink”.
- Step 11. Remove the graphic card. Refer to “Replacing the graphic card”.
- Step 12. Remove the Wi-Fi card. Refer to “Replacing the Wi-Fi card”.

Step 13. Disconnect the all cables from the connectors on motherboard.

Step 14. Remove the 5 screws that secure the motherboard to the chassis.

Step 15. Lift up the motherboard to remove it.



Step 16. Install the new motherboard:

- a. Line up the holes on the new motherboard with mounting holes on the chassis and secure it with screws.
- b. Reattach the memory module, Wi-Fi card, heat-sink and microprocessor fan to the new motherboard.
- c. Connect the all cables to the new motherboard.
- d. Reattach the hard disk drive, optical drive and graphic card.

Step 17. Reattach the front bezel, computer cover.

Chapter 9. FRU lists-H30-00

This chapter lists the information on the field replaceable units (FRUs).

Attention: Be sure to read and understand all the safety information before replacing any FRUs.

Notes: FRUs that have a 1 or 2 in the CRU column are Customer Replaceable Units (CRUs).

- **1**– identifies parts that are fairly simple to replace, requiring few or no tools.
- **2**– identifies parts that are slightly more difficult to replace.
- **N**-identifies parts that are not to be replaced by the customer.

| Item # | Description | Lenovo PN | CRU ID |
|--------|--|-------------|--------|
| | MB | | |
| | E new BT-D J2900 SDV MB | SB20F54936 | N |
| | E new BT-D J2900 SIT MB | SB20F54937 | |
| | E new BT-D J1900 SDV MB | SB20F54939 | |
| | E new BT-D J1900 SIT MB | SB20F54940 | |
| | E new BT-D J1800 SDV MB | SB20F54942 | |
| | E new BT-D J1800 SIT MB | SB20F54943 | |
| | E new BT-D J1800 MP MB | SB20F54944 | |
| | E new BT-D J1900 MP MB | SB20F54941 | |
| | E new BT-D J2900 MP MB | SB20F54938 | |
| | 5B20G18370 for MB FRU W8P | SPP0G18-407 | |
| | 5B20G18369 for MB FRU W8S | SPP0G18406 | |
| | 5B20G18372 for MB FRU NOK | SPP0G18405 | |
| | 5B20G18371 for MB FRU W8P | SPP0G18411 | |
| | 5B20G18374 for MB FRU W8S | SPP0G18410 | |
| | 5B20G18375 for MB FRU NOK | SPP0G18412 | |
| | 5B20G18367 for MB FRU W8P | SPP0G18409 | |
| | 5B20G18368 for MB FRU W8S | SPP0G18404 | |
| | 5B20G18373 for MB FRU NOK | SPP0G18408 | |
| | Cooler | | |
| | AVC ZEUK00T004 Intel 18W CPU Cooler | 31503528 | |
| | Fox PKP737R00K12Z intel 18W CPU Cooler | 31503529 | |

| | | |
|---|----------|---|
| Memory | | 2 |
| M471B5674QH0-YK0 2GB D3L-1600S Memory-HF | 1100983 | |
| HMT425S6AFR6A-PB 2GB D3L-1600S Memory-HF | 1100643 | |
| MT4KTF25664HZ-1G6E1 2GB D3L-1600S Memory | 1100956 | |
| Mic_R D9PSH 2GB D3L-1600S Memory-HF | 1100965 | |
| Mic_S D9PXV 2GB D3L-1600S Memory | 1100958 | |
| M471B5173DB0-YK0 4GB D3L-1600S Memory-HF | 1100942 | |
| HMT451S6BFR8A-PB 4GB D3L-1600S Memory-HF | 1100985 | |
| MT8KTF51264HZ-1G6E1 4GB D3L-1600S Memory-HF | 1100957 | |
| Mic_R D9QBJ 4GB D3L-1600S Memory-HF | 1100967 | |
| Mic_S D9QBJ 4GB D3L-1600S Memory | 1100959 | |
| M471B1G73DB0-YK0 8GB D3L-1600S Memory-HF | 1100943 | |
| HMT41GS6BFR8A-PB 8GB D3L-1600S Memory-HF | 1100986 | |
| MT16KTF1G64HZ-1G6E1 | 1100635 | |
| Mic_R D9QBJ 8GB D3L-1600S Memory-HF | 1101012 | |
| HDD | | 2 |
| WD XL500A WD5000AAKX-08U6AA0 500G HDD-LH | 16200544 | |
| Seagate Pharaoh 4K Non-MC ST500DM002 500G HDD | 16200674 | |
| Toshiba Mars 4K 500G DT01ACA050 HDD-LH | 16200512 | |
| Seagate Grenada BP 1.5 ST1000DM003 1TB HDD | 16200528 | |
| Toshiba Mars 4K 1TB DT01ACA100HDD-LH | 16200513 | |
| WD XL1000B WD10EZEX-08M2NA0 1TB HDD | 16200613 | |
| Seagate Grenada BP2 ST1000DM003 1TB HDD | 16200688 | |
| ODD | | 2 |
| PLDS DH-16D7SH HH SATA Black DVDROMLH | 25205800 | |
| HLDS DH50N SATA Black DVDROM LH | 25210649 | |
| HLDS DH60N SATA Black DVDROM LH | 25216229 | |
| Panasonic SW430 SATA Black DVDROM LH | 25214498 | |
| Panasonic SW440 SATA Black DVDROMLH | 25216356 | |
| TSST SH-116CB SATA Black DVDROM LH | 25216227 | |
| HLDS GHB0N SATA Black DVDRW LH | 25214470 | |
| PLDS DH-16AESH SATA Black DVDRWLH(LSOPU) | 25213061 | |
| TSST SH-216DB SATA Black DVDRWLH | 25213720 | |
| Panasonic SW830 SATA Black DVDRWLH | 25213885 | |

| | | |
|--|------------|---|
| Dis GFX | | 2 |
| BITLAND@R5 235@1G/A/DB/H Graphics | 11202403 | |
| MSI@R5 235@1G/A/DB/H Graphics | 11202404 | |
| BITLAND@R5 235@1G/A/DB/H LP Graphics | 11202405 | |
| MSI@R5 235@1G/A/DB/H LP Graphics | 11202406 | |
| BITLAND@R5 235@2G/A/DB/H Graphics | 11202748 | |
| BITLAND@R5 235@2G/A/DB/H LP Graphics | 11202749 | |
| BITLAND@Geforce GT 705@1G/A/DB/H Graphics | 11202742 | |
| MSI@Geforce GT 705@1G/A/DB/H Graphics | 11202743 | |
| BITLAND@Geforce GT 705@1G/A/DB/H LP Graphics | 11202744 | |
| MSI@Geforce GT 705@1G/A/DB/H LP Graphics | 11202745 | |
| VIDEO_CARD B@Geforce GT 705@1G/A/DB/H | SV10G52014 | |
| VIDEO_CARD M@Geforce GT 705@1G/A/DB/H | SV10G52015 | |
| VIDEO_CARD B@Geforce GT 705@1G/A/DB/H LP | SV10G52019 | |
| VIDEO_CARD M@Geforce GT 705@1G/A/DB/H LP | SV10G52020 | |
| VIDEO_CARD B@Geforce GT 705@2G/A/DB/H | SV10G56197 | |
| VIDEO_CARD M@Geforce GT 705@2G/A/DB/H | SV10G56198 | |
| VIDEO_CARD B@Geforce GT 705@2G/A/DB/H LP | SV10G56199 | |
| VIDEO_CARD M@Geforce GT 705@2G/A/DB/H LP | SV10G56200 | |
| MSI@Geforce GT 720@2G/A/DB/H Graphics | 11202746 | |
| MSI@Geforce GT 720@2G/A/DB/H LP Graphics | 11202747 | |
| Power supply | | 1 |
| Delta ADP-65FD BE 65W adapter | 36200352 | |
| Liteon PA-1650-72IA 65W adapter | 36200353 | |
| DELTA ADP-90XD BC 90W common adapter ® | 36200415 | |
| Liteon PA-1900-72IA 90w common adapter® | 36200416 | |
| Wifi | | N |
| Ltn RTL8723BE 1x1BGN+BT HMC WLAN | 20200440 | |
| Liteon WB335 1x1BGN+BT4.0 HMC WLAN | 20200437 | |
| Screw | | N |
| JT M2X3 antiskid Screw | 31501076 | |
| WIFI Antenna | | N |
| LS X315 Front Antenna | 31507039 | |
| LS X315 Rear Antenna | 31507040 | |
| LS 326CT Antenna 550mm Front | SA30G18119 | |
| LS 326CT Antenna 400mm Rear | SA30G18120 | |
| Antenna Cover | | N |
| JT Wi-Fi cover | 31501130 | |
| Rear I/O shield | | N |
| MACE Bay trail MB Rear IO cover | SM20F86382 | |

| | | | |
|--|---------------------------------------|----------|---|
| | PSU rear hole shielding | | N |
| | JT 20L chassis PSU cover | 31505051 | |
| | JT 314 chassis power supply cover | 31506508 | |
| | AVC ATX power supply cover | 31506616 | |
| | 326 chassis power cover | 31501626 | |
| | Card Reader | | N |
| | Bitland RTS5179 7in1 L_Single_CR | 11201223 | |
| | Taisol GL827S 7in1 L_Single_CR | 11201222 | |
| | Taisol GL827S 7in1 Single_S Reader | 11200646 | N |
| | BITLANDRTS5179 7in1 Single_S Reader | 11201119 | |
| | Speaker | | 1 |
| | Lenovo Speaker M0620 (Black) | 25013742 | |
| | Front USB&Audio cable | | N |
| | LS USB2.0 F_IO cable_U500A600_321HT | 31507416 | |
| | CL USB2.0 F_IO cable_U500A600_321HT | 31507417 | |
| | LS USB2.0 F_IO cable_U500A600_326CT | 31507414 | |
| | MGE SB2.0 F_IO cable_U500A600_326CT | 31507415 | |
| | Cable | | N |
| | LCS 370mmSATA cable® | 31034778 | |
| | GX 370mmSATA cable(R) | 31034820 | |
| | LS 2H285 SATA cable,angle,No Latch(R) | 31032989 | |
| | GX 2H285 SATA cable,angle,No Latch® | 31033053 | |
| | CL 2H420mmSATA calbe Latch(R) | 31506478 | |
| | LX 2H420mmSATA calbe Latch(R) | 31024760 | |
| | MGE 2H420mmSATA calbe Latch(R) | 31506479 | |
| | LX 250mm SATA cable 2 latch | 31043145 | |
| | GS 250mm SATA cable 2 latch | 31043146 | |
| | LCS SATA power cable(300mm_300mm) | 31502005 | |
| | GX SATA power cable(300mm_300mm) | 31502006 | |
| | Touch Pad | | |
| | Chicony TGR1226 2.4G touchpad BLACK | 25210789 | |
| | VGA Cover | | N |
| | JT VGA □ Rubber cover | 31049015 | |
| | MACE VGA □ Rubber cover - Optional | 31505052 | |

| | | |
|--|----------|---|
| KB & Mouse | | 1 |
| Sunrex EKB-10YA(US) B-Silk USB KB-LVT8 | 25209111 | |
| Primax KB4721(US) B-Silk USB KB-LVT8 | 25209112 | |
| Sunrex EKB-10YA(TW) B-Silk USB KB-LVT8 | 25209114 | |
| Sunrex EKB-10YA(TH) B-Silk USB KB-LVT8 | 25209115 | |
| Sunrex EKB-10YA(CZ-SL) B-S USB KB-LVT8 | 25209116 | |
| Sunrex EKB-10YA(IN) B-Silk USB KB-LVT8 | 25209117 | |
| Sunrex EKB-10YA(RU) B-Silk USB KB-LVT8 | 25209118 | |
| Sunrex EKB-10YA(UK) B-Silk USB KB-LVT8 | 25209119 | |
| Sunrex EKB-10YA(Nordic) B-S USB KB-LVT8 | 25209120 | |
| Sunrex EKB-10YA(LA) B-Silk USB KB-LVT8 | 25209121 | |
| Sunrex EKB-10YA(AR) B-Silk USB KB-LVT8 | 25209122 | |
| Sunrex EKB-10YA(SW) B-Silk USB KB-LVT8 | 25209123 | |
| Sunrex EKB-10YA(GE) B-Silk USB KB-LVT8 | 25209124 | |
| Sunrex EKB-10YA(TR) B-Silk USB KB-LVT8 | 25209125 | |
| Sunrex EKB-10YA(SP) B-Silk USB KB-LVT8 | 25209126 | |
| Sunrex EKB-10YA(SL) B-Silk USB KB-LVT8 | 25209127 | |
| Sunrex EKB-10YA(IT) B-Silk USB KB-LVT8 | 25209128 | |
| Sunrex EKB-10YA(HB) B-Silk USB KB-LVT8 | 25209129 | |
| Sunrex EKB-10YA(FR) B-Silk USB KB-LVT8 | 25209130 | |
| Sunrex EKB-10YA(GK) B-Silk USB KB-LVT8 | 25209131 | |
| Sunrex EKB-10YA(HG) B-Silk USB KB-LVT8 | 25209132 | |
| Sunrex EKB-10YA(BG) B-Silk USB KB-LVT8 | 25209133 | |
| Sunrex EKB-10YA(HR) B-Silk USB KB-LVT8 | 25209134 | |
| Sunrex EKB-10YA(JP) B-Silk USB KB-LVT8 | 25209135 | |
| Sunrex EKB-10YA(EN-FR) B-S USB KB-LVT8 | 25209136 | |
| Sunrex EKB-10YA(PT) B-Silk USB KB-LVT8 | 25209137 | |
| Sunrex EKB-10YA(BE-EN) B-S USB KB-LVT8 | 25209138 | |
| Sunrex EKB-10YA(DU) B-S USB KB-LVT8 | 25209139 | |
| Liteon LXH-SM-8825 B-Silk Mouse | 25200528 | |
| Sunrex LXH-EMS-10ZA B-Silk Mouse | 25200530 | |
| Primax M300 USB gesture mouse BLK | 25213876 | |
| Primax M300 USB gesture mouse BLK-Israel | 25214502 | |

| | | |
|---------------------------------|------------|---|
| Chassis For H30-00 | | N |
| JT LX-326CT chassis | 30500528 | |
| JT LX-326CT Chassis | 5C80G59892 | |
| JT LX-326CT Chassis F/Bezel | 5CB0G59895 | |
| JT LX-326CT USB&CR Bracket | 5B40G59896 | |
| JT 328BT-23L Wlan Antenna Cover | 5CB0G59219 | |
| JT H81MB rearIO shielding | 31504156 | |
| LS 600mm 321HT&326CT LED cable | 31507411 | |
| JT 600mm 321HT&326CT LED cable | 31507412 | |
| MGE 600mm 321HT&326CT LED cable | 31507413 | |
| MACE LX-326CT2 chassis | 30500529 | |
| MACE LX-326CT2 Chassis | 5C80G59898 | |
| MACE LX-326CT2 Chassis F/Bezel | 5CB0G59897 | |
| MACE LX-326CT2 USB&CR Bracket | 5B40G59899 | |
| JT 328BT-23L Wlan Antenna Cover | 5CB0G59219 | |
| JT H81MB rearIO shielding | 31504156 | |
| LS 600mm 321HT&326CT LED cable | 31507411 | |
| JT 600mm 321HT&326CT LED cable | 31507412 | |
| MGE 600mm 321HT&326CT LED cable | 31507413 | |

Chapter 10. FRU lists-H30-05

This chapter lists the information on the field replaceable units (FRUs).

Attention: Be sure to read and understand all the safety information before replacing any FRUs.

Notes: FRUs that have a 1 or 2 in the CRU column are Customer Replaceable Units (CRUs).

- **1**– identifies parts that are fairly simple to replace, requiring few or no tools.
- **2**– identifies parts that are slightly more difficult to replace.
- **N**–identifies parts that are not to be replaced by the customer.

| Item # | Description | Lenovo PN | CRU ID |
|--------|--------------------------|------------|--------|
| | MB | | |
| | MSI Beema A8-6410 SDV MB | SB20F54949 | N |
| | MSI Beema A6-6310 SDV MB | SB20F54952 | |
| | MSI Beema A4-6210 SDV MB | SB20F54955 | |
| | MSI Beema E2-6110 SDV MB | SB20F54958 | |
| | MSI Beema E1-6010 SDV MB | SB20F76028 | |
| | MSI Beema A8-6410 SIT MB | SB20F54950 | |
| | MSI Beema A6-6310 SIT MB | SB20F54953 | |
| | MSI Beema A4-6210 SIT MB | SB20F54956 | |
| | MSI Beema E2-6110 SIT MB | SB20F54959 | |
| | MSI Beema E1-6010 SIT MB | SB20F76029 | |
| | MSI Beema A8-6410 MP MB | SB20F54951 | |
| | MSI Beema A6-6310 MP MB | SB20F54954 | |
| | MSI Beema A4-6210 MP MB | SB20F54957 | |
| | MSI Beema E2-6110 MP MB | SB20F76027 | |
| | MSI Beema E1-6010 MP MB | SB20F76030 | |
| | NOK MSI Beema A8-6410 MB | SPP0G06453 | |
| | W8S MSI Beema A8-6410 MB | SPP0G06442 | |
| | W8P MSI Beema A8-6410 MB | SPP0G06448 | |
| | NOK MSI Beema A6-6310 MB | SPP0G06427 | |
| | W8S MSI Beema A6-6310 MB | SPP0G06443 | |
| | W8P MSI Beema A6-6310 MB | SPP0G06449 | |
| | NOK MSI Beema A4-6210 MB | SPP0G06441 | |
| | W8S MSI Beema A4-6210 MB | SPP0G06440 | |
| | W8P MSI Beema A4-6210 MB | SPP0G06450 | |
| | NOK MSI Beema E2-6110 MB | SPP0G06438 | |
| | W8S MSI Beema E2-6110 MB | SPP0G06445 | |

| | | | |
|--|---|------------|---|
| | W8P MSI Beema E2-6110 MB | SPP0G06455 | |
| | NOK MSI Beema E1-6010 MB | SPP0G06428 | |
| | W8S MSI Beema E1-6010 MB | SPP0G06437 | |
| | W8P MSI Beema E1-6010 MB | SPP0G06434 | |
| | Thermal | | N |
| | Taisol CECA022836A6 AMD 18W cooler | 31501864 | |
| | AVC ZEUK00T001 AMD 18W cooler | 31501863 | |
| | RAM | | 2 |
| | M378B5773QB0-CK0 2GB D3 -1600 Memory-HF | 1100908 | |
| | HMT425U6AFR6C-PB 2GB D3 -1600 Memory-HF | 1100653 | |
| | MT4JTF25664AZ-1G6E1 2GB D3-1600 Memory | 1100954 | |
| | Mic_R D9PSH 2GB D3L-1600 Memory-HF | 1100966 | |
| | Mic_S D9PXV 2GB D3-1600 Memory | 1100792 | |
| | M378B5173DB0-CK0 4GB D3 -1600 Memory-HF | 1100944 | |
| | HMT451U6BFR8C-PB 4GB D3-1600 Memory-HF | 1100988 | |
| | MT8JTF51264AZ-1G6E1 4GB D3-1600 Memory | 1100955 | |
| | Mic_R D9QBJ 4GB D3L-1600 M2 Memory | 1100807 | |
| | Mic_S D9QBJ 4GB D3-1600 M2 Memory | 1100682 | |
| | M378B5773QB0-CK0 2GB D3 -1600 Memory-HF | 1100908 | |
| | M378B5173DB0-CK0 4GB D3 -1600 Memory-HF | 1100944 | |
| | HMT425U6AFR6C-PB 2GB D3 -1600 Memory-HF | 1100653 | |
| | HMT451U6BFR8C-PB 4GB D3-1600 Memory-HF | 1100988 | |
| | Mic_R D9PSH 2GB D3L-1600 Memory-HF | 1100966 | |
| | Mic_R D9QBJ 4GB D3L-1600 M2 Memory | 1100807 | |
| | M378B1G73DB0-CK0 8GB D3 -1600 Memory-HF | 1100945 | |
| | HMT41GU6BFR8C-PB 8GB D3-1600 Memory-HF | 1100989 | |
| | MT16JTF1G64AZ-1G6E1 8GB D3-1600 Memory | 1100669 | |
| | Mic_R D9QBJ 8GB D3L-1600 Memory-HF | 1101011 | |
| | HDD | | 2 |
| | WD XL500A 6G Damper | 16200544 | |
| | Seagate Pharaoh 4K-Non-MC | 16200674 | |
| | Toshiba Mars | 16200512 | |
| | Seagate Grenada BP 1.5 | 16200528 | |
| | Toshiba Mars | 16200513 | |
| | WD XL1000B | 16200613 | |
| | Seagate Grenada BP 2 | 16200688 | |

| | | | |
|--|--|------------|---|
| | ODD | | 2 |
| | PLDS DH-16D7SH HH SATA Black DVDROMLH | 25205800 | |
| | HLDS DH50N SATA Black DVDROMLH | 25210649 | |
| | HLDS DH60N SATA Black DVDROMLH | 25216229 | |
| | Panasonic SW430 SATA Black DVDROMLH | 25214498 | |
| | Panasonic SW440 SATA Black DVDROMLH | 25216356 | |
| | TSST SH-116CB SATA Black DVDROMLH | 25216227 | |
| | HLDS GHB0N SATA Black DVDRWLH | 25214470 | |
| | PLDS DH-16AESH SATA Black DVDRWLH(LSOPU) | 25213061 | |
| | TSST SH-216DB SATA Black DVDRWLH | 25213720 | |
| | Panasonic SW830 SATA Black DVDRWLH | 25213885 | |
| | Dis GFX | | 2 |
| | BITLAND@R5 235@1G/A/DB/H Graphics | 11202403 | |
| | MSI@R5 235@1G/A/DB/H Graphics | 11202404 | |
| | BITLAND@R5 235@1G/A/DB/H LP Graphics | 11202405 | |
| | MSI@R5 235@1G/A/DB/H LP Graphics | 11202406 | |
| | BITLAND@R5 235@2G/A/DB/H Graphics | 11202748 | |
| | BITLAND@R5 235@2G/A/DB/H LP Graphics | 11202749 | |
| | MSI@Geforce GT 720@2G/A/DB/H Graphics | 11202746 | |
| | MSI@Geforce GT 720@2G/A/DB/H LP Graphics | 11202747 | |
| | BITLAND@Geforce GT 705@1G/A/DB/H Graphics | 11202742 | |
| | MSI@Geforce GT 705@1G/A/DB/H Graphics | 11202743 | |
| | VIDEO_CARD B@Geforce GT 705@1G/A/DB/H | SV10G52014 | |
| | VIDEO_CARD M@Geforce GT 705@1G/A/DB/H | SV10G52015 | |
| | VIDEO_CARD B@Geforce GT 705@2G/A/DB/H | SV10G56197 | |
| | VIDEO_CARD M@Geforce GT 705@2G/A/DB/H | SV10G56198 | |
| | BITLAND@Geforce GT 705@1G/A/DB/H LP Graphics | 11202744 | |
| | MSI@Geforce GT 705@1G/A/DB/H LP Graphics | 11202745 | |
| | VIDEO_CARD B@Geforce GT 705@1G/A/DB/H LP | SV10G52019 | |
| | VIDEO_CARD M@Geforce GT 705@1G/A/DB/H LP | SV10G52020 | |
| | VIDEO_CARD B@Geforce GT 705@2G/A/DB/H LP | SV10G56199 | |
| | VIDEO_CARD M@Geforce GT 705@2G/A/DB/H LP | SV10G56200 | |
| | Adapter | | 1 |
| | Delta ADP-65FD BE 65W adapter | 36200352 | |
| | Liteon PA-1650-72IA 65W adapter | 36200353 | |
| | DELTA ADP-90XD BC 90W common adapter ® | 36200415 | |
| | Liteon PA-1900-72IA 90w common adapter® | 36200416 | |
| | DELTA ADP-120ZB BBHT common 120W adapter | 36200439 | |
| | Liteon PA-1121-04LB 120w common adapter | 36200440 | |

| | | | |
|--|---|------------|---|
| | WIFI | | N |
| | Ltn RTL8723BE 1x1BGN+BT HMC WLAN | 20200440 | |
| | Liteon WB335 1x1BGN+BT4.0 HMC WLAN | 20200437 | |
| | Screw | | N |
| | JT M2X3 antiskid Screw | 31501076 | |
| | WIFI Antenna | | N |
| | LS X315 Front Antenna | 31507039 | |
| | LS X315 Rear Antenna | 31507040 | |
| | LS 326CT Antenna 550mm Front | SA30G18119 | |
| | LS 326CT Antenna 400mm Rear | SA30G18120 | |
| | JT Wi-Fi cover | 31501130 | |
| | Shield | | N |
| | HH LX-319 chassis ODD Hardware baffle (R) | 31046268 | |
| | JT Redang chassis ODDHardware baffle (R) | 31040441 | |
| | MACE Beema MB Rear IO cover | SM20F86380 | |
| | JT 20L chassis PSU cover | 31505051 | |
| | JT 314 chassis power supply cover | 31506508 | |
| | AVC ATX power supply cover | 31506616 | |
| | 326 chassis power cover | 31501626 | |
| | Card Reader | | N |
| | Bitland RTS5179 7in1 L_Single_CR | 11201223 | |
| | Taisol GL827S 7in1 L_Single_CR | 11201222 | |
| | Taisol GL827S 7in1 Single_S Reader | 11200646 | |
| | BITLANDRTS5179 7in1 Single_S Reader | 11201119 | |
| | Speaker | | 1 |
| | Lenovo Speaker M0620 (Black) | 25013742 | |
| | Cable | | N |
| | LS USB2.0 F_IO cable_U500A600_321HT | 31507416 | |
| | CL USB2.0 F_IO cable_U500A600_321HT | 31507417 | |
| | LS USB2.0 F_IO cable_U500A600_326CT | 31507414 | |
| | MGE SB2.0 F_IO cable_U500A600_326CT | 31507415 | |
| | LCS 370mmSATA cable® | 31034778 | |
| | GX 370mmSATA cable(R) | 31034820 | |
| | LS 2H285 SATA cable,angle,No Latch(R) | 31032989 | |
| | GX 2H285 SATA cable,angle,No Latch® | 31033053 | |
| | CL 2H420mmSATA calbe Latch(R) | 31506478 | |
| | LX 2H420mmSATA calbe Latch(R) | 31024760 | |
| | MGE 2H420mmSATA calbe Latch(R) | 31506479 | |
| | LX 250mm SATA cable 2 latch | 31043145 | |
| | GS 250mm SATA cable 2 latch | 31043146 | |

| | | | |
|--|---|----------|---|
| | LCS SATA power cable(300mm_300mm) | 31502005 | |
| | GX SATA power cable(300mm_300mm) | 31502006 | |
| | Chicony TGR1226 2.4G touchpad BLK final | 25212969 | |
| | Cover | | N |
| | JT VGA Rubber cover | 31049015 | |
| | MACE VGA Rubber cover - Optional | 31505052 | |
| | JT HDMI Rubber cover | 31049017 | |
| | KB & Mouse | | 1 |
| | Sunrex EKB-10YA(US) B-Silk USB KB-LVT8 | 25209111 | |
| | Primax KB4721(US) B-Silk USB KB-LVT8 | 25209112 | |
| | Sunrex EKB-10YA(TW) B-Silk USB KB-LVT8 | 25209114 | |
| | Sunrex EKB-10YA(TH) B-Silk USB KB-LVT8 | 25209115 | |
| | Sunrex EKB-10YA(CZ-SL) B-S USB KB-LVT8 | 25209116 | |
| | Sunrex EKB-10YA(IN) B-Silk USB KB-LVT8 | 25209117 | |
| | Sunrex EKB-10YA(RU) B-Silk USB KB-LVT8 | 25209118 | |
| | Sunrex EKB-10YA(UK) B-Silk USB KB-LVT8 | 25209119 | |
| | Sunrex EKB-10YA(Nordic) B-S USB KB-LVT8 | 25209120 | |
| | Sunrex EKB-10YA(LA) B-Silk USB KB-LVT8 | 25209121 | |
| | Sunrex EKB-10YA(AR) B-Silk USB KB-LVT8 | 25209122 | |
| | Sunrex EKB-10YA(SW) B-Silk USB KB-LVT8 | 25209123 | |
| | Sunrex EKB-10YA(GE) B-Silk USB KB-LVT8 | 25209124 | |
| | Sunrex EKB-10YA(TR) B-Silk USB KB-LVT8 | 25209125 | |
| | Sunrex EKB-10YA(SP) B-Silk USB KB-LVT8 | 25209126 | |
| | Sunrex EKB-10YA(SL) B-Silk USB KB-LVT8 | 25209127 | |
| | Sunrex EKB-10YA(IT) B-Silk USB KB-LVT8 | 25209128 | |
| | Sunrex EKB-10YA(HB) B-Silk USB KB-LVT8 | 25209129 | |
| | Sunrex EKB-10YA(FR) B-Silk USB KB-LVT8 | 25209130 | |
| | Sunrex EKB-10YA(GK) B-Silk USB KB-LVT8 | 25209131 | |
| | Sunrex EKB-10YA(HG) B-Silk USB KB-LVT8 | 25209132 | |
| | Sunrex EKB-10YA(BG) B-Silk USB KB-LVT8 | 25209133 | |
| | Sunrex EKB-10YA(HR) B-Silk USB KB-LVT8 | 25209134 | |
| | Sunrex EKB-10YA(JP) B-Silk USB KB-LVT8 | 25209135 | |
| | Sunrex EKB-10YA(EN-FR) B-S USB KB-LVT8 | 25209136 | |
| | Sunrex EKB-10YA(PT) B-Silk USB KB-LVT8 | 25209137 | |
| | Sunrex EKB-10YA(BE-EN) B-S USB KB-LVT8 | 25209138 | |
| | Sunrex EKB-10YA(DU) B-S USB KB-LVT8 | 25209139 | |
| | Sunrex EKB-10YA(US) B-Silk USB KB-OKE8 | 25209140 | |
| | Primax KB4721(US) B-Silk USB KB-OKE8 | 25209141 | |
| | Chicony KU-1153 B-Silk USB KB-OKE8 | 25209142 | |
| | Sunrex EKB-10YA(US) B-S USB KB-LVT8 LH | 25209143 | |

| | |
|--|-----------|
| Sunrex EKB-10YA(US) B-S USB KB-OKE8 LH | 25209144 |
| Liteon LXH-SM-8825 B-Silk Mouse | 25200528 |
| Sunrex LXH-EMS-10ZA B-Silk Mouse | 25200530 |
| Primax M300 USB gesture mouse BLK | 25213876 |
| Primax M300 USB gesture mouse BLK-Israel | 25214502 |
| Liteon SK-8861(US) 2.4G KB- Black 8 | 25209175 |
| Liteon SK-8861(US-MY) 2.4G KB- Black 8 | 25209176 |
| Liteon SK-8861(TW) 2.4G KB- Black 8 | 25209177 |
| Liteon SK-8861(TH) 2.4G KB- Black 8 | 25209178 |
| Liteon SK-8861(CS-SK) 2.4G KB- Black 8 | 25209179 |
| Liteon SK-8861(US-IN) 2.4G KB- Black 8 | 25209180 |
| Liteon SK-8861(RU) 2.4G KB- Black 8 | 25209181 |
| Liteon SK-8861(GB) 2.4G KB- Black 8 | 25209182 |
| Liteon SK-8861(Nordic) 2.4G KB- Black 8 | 25209183 |
| Liteon SK-8861(LA) 2.4G KB- Black 8 | 25209184 |
| Liteon SK-8861(LA-AR) 2.4G KB- Black 8 | 25209185 |
| Liteon SK-8861(SA) 2.4G KB- Black 8 | 25209186 |
| Liteon SK-8861(CH) 2.4G KB- Black 8 | 25209187 |
| Liteon SK-8861(DE) 2.4G KB- Black 8 | 25209188 |
| Liteon SK-8861(TR) 2.4G KB- Black 8 | 25209189 |
| Liteon SK-8861(ES) 2.4G KB- Black 8 | 25209190 |
| Liteon SK-8861(SL) 2.4G KB- Black 8 | 25209191 |
| Liteon SK-8861(IT) 2.4G KB- Black 8 | 25209192 |
| Liteon SK-8861(IL) 2.4G KB- Black 8 | 25209193 |
| Liteon SK-8861(FR) 2.4G KB- Black 8 | 25209194 |
| Liteon SK-8861(GR) 2.4G KB- Black 8 | 25209195 |
| Liteon SK-8861(HU) 2.4G KB- Black 8 | 25209196 |
| Liteon SK-8861(BG) 2.4G KB- Black 8 | 25209197 |
| Liteon SK-8861(KR) 2.4G KB- Black 8 | 25209198 |
| Liteon SK-8861(JP) 2.4G KB- Black 8 | 25209199 |
| Liteon SK-8861(EN-FR) 2.4G KB- Black 8 | 25209200 |
| Liteon SK-8861(PT) 2.4G KB- Black 8 | 25209201 |
| Liteon SK-8861(BE-EN) 2.4G KB- Black 8 | 25209202 |
| Liteon SK-8861(DU) 2.4G KB- Black 8 | 25209203 |
| Liteon SM-8861(WW) Mouse Black | 25203464 |
| Liteon SM-8861 Mouse(No Battery) Black | 25203465 |
| Liteon SM-8861 Mouse(MY) Black | 25203466 |
| Liteon SM-8861(JP) Mouse- Black | 25-205773 |

| | | |
|---------------------------------|------------|---|
| Chassis | | N |
| JT LX-326CT chassis | 30500528 | |
| JT LX-326CT Chassis | 5C80G59892 | |
| JT LX-326CT Chassis F/Bezel | 5CB0G59895 | |
| JT LX-326CT USB&CR Bracket | 5B40G59896 | |
| JT 328BT-23L Wlan Antenna Cover | 5CB0G59219 | |
| JT H81MB rearIO shielding | 31504156 | |
| LS 600mm 321HT&326CT LED cable | 31507411 | |
| JT 600mm 321HT&326CT LED cable | 31507412 | |
| MGE 600mm 321HT&326CT LED cable | 31507413 | |
| MACE LX-326CT2 chassis | 30500529 | |
| MACE LX-326CT2 Chassis | 5C80G59898 | |
| MACE LX-326CT2 Chassis F/Bezel | 5CB0G59897 | |
| MACE LX-326CT2 USB&CR Bracket | 5B40G59899 | |
| JT 328BT-23L Wlan Antenna Cover | 5CB0G59219 | |
| JT H81MB rearIO shielding | 31504156 | |
| LS 600mm 321HT&326CT LED cable | 31507411 | |
| JT 600mm 321HT&326CT LED cable | 31507412 | |
| MGE 600mm 321HT&326CT LED cable | 31507413 | |

Chapter 11. FRU lists-H30-50

This chapter lists the information on the field replaceable units (FRUs).

Attention: Be sure to read and understand all the safety information before replacing any FRUs.

Notes: FRUs that have a 1 or 2 in the CRU column are Customer Replaceable Units (CRUs).

- **1**– identifies parts that are fairly simple to replace, requiring few or no tools.
- **2**– identifies parts that are slightly more difficult to replace.
- **N**– identifies parts that are not to be replaced by the customer.

| Item # | Description | Lenovo PN | CRU ID |
|--------|---------------------------------------|------------|--------|
| | CPU | | |
| | I I7-4790 3.6/1600/4C/8M/1150 84W CPU | 1101104 | N |
| | I I7-4770 3.4/1600/8/1150 84 CPU | 1100783 | |
| | I I5-4460 3.2/1600/4C/6M/1150 84W CPU | 1101107 | |
| | I I5-4440 3.1/1600/4C/6M/1150 84 CPU | 1100949 | |
| | I I3-4160 3.6/2C/3M/1600 1150 54W CPU | SSA0F66603 | |
| | I I3-4150 3.5/1600/2C/3M/1150 54W CPU | 1101088 | |
| | I I3-4130 3.4/1600/2C/3M/1150 54 CPU | 1100930 | |
| | I G3250 3.2/2C/3M/1333 1150 53W CPU | SSA0F66605 | |
| | I G3240 3.1/1333/2C/3M/1150 54W CPU | 1101089 | |
| | I G3220 3.0/1333/2C/3M/1150 54 CPU | 1100932 | |
| | I G1840 2.8/1333/2C/2M/1150 54W CPU | 1101095 | |
| | I G1820 2.7/1333/2C/2M/1150 54 CPU | 1101029 | |
| | MB | | |
| | E H81 MATX MB SIT@RTL8111G_ALC662(R) | 11201880 | |
| | B H81 95W SIT MB@RTL8111G_ALC662@ | 11202606 | |
| | B H81 95W MP_refresh | SB20F76084 | |
| | E H81 95W MP_refresh | SB20F76083 | |
| | NOK E H81 MATX MB | SPP0F66963 | |
| | W8S E H81 MATX MB | SPP0F66949 | |
| | W8P E H81 MATX MB | SPP0F66947 | |

| | | |
|---|------------|---|
| Thermal | | N |
| GBM Crete1_Intel95w Cooler | SG10F47247 | |
| Foxconn PKP736G01K(D)12Z heat sink | 31-501179 | |
| Taisol CEL3172836A6 heat sink | 31-501178 | |
| AVC DS09225R12HP251 front system fan | 31500949 | |
| LX 400mm sensor cable_6Pin+bracket | 31042884 | |
| Grandsun,400mm sensor cable_6Pin(with holder) | 31042885 | |
| Memory | | 2 |
| M378B5773QB0-CK0 2GB D3 -1600 Memory-HF | 1-100908 | |
| HMT425U6AFR6C-PB 2GB D3 -1600 Memory-HF | 1-100653 | |
| MT4JTF25664AZ-1G6E1 2GB D3-1600 Memory | 1-100954 | |
| Mic_R D9PSH 2GB D3L-1600 Memory-HF | 1-100966 | |
| Mic_S D9PXV 2GB D3-1600 Memory | 1-100792 | |
| M378B5173DB0-CK0 4GB D3 -1600 Memory-HF | 1-100944 | |
| HMT451U6BFR8C-PB 4GB D3-1600 Memory-HF | 1-100988 | |
| MT8JTF51264AZ-1G6E1 4GB D3-1600 Memory | 1-100955 | |
| Mic_R D9QBJ 4GB D3L-1600 M2 Memory | 1-100807 | |
| Mic_S D9QBJ 4GB D3-1600 M2 Memory | 1-100682 | |
| M378B1G73DB0-CK0 8GB D3 -1600 Memory-HF | 1-100945 | |
| HMT41GU6BFR8C-PB 8GB D3-1600 Memory-HF | 1-100989 | |
| MT16JTF1G64AZ-1G6E1 8GB D3-1600 Memory | 1-100669 | |
| Mic_R D9QBJ 8GB D3L-1600 Memory-HF | 1-101011 | |
| M378B5773QB0-CK0 2GB D3 -1600 Memory-HF | 1100908 | |
| M378B5173QH0-CK0 4GB D3 -1600 Memory-HF | 1100909 | |
| Mic_R D9PSH 2GB D3L-1600 Memory-HF | 1100966 | |
| Mic_R D9QBJ 4GB D3L-1600 M2 Memory | 1100807 | |
| HMT425U6AFR6C-PB 2GB D3 -1600 Memory-HF | 1100653 | |
| HMT451U6BFR8C-PB 4GB D3-1600 Memory-HF | 1100988 | |
| M378B5173DB0-CK0 4GB D3 -1600 Memory-HF | 1-100944 | |
| M378B1G73DB0-CK0 8GB D3 -1600 Memory-HF | 1-100945 | |
| HMT451U6BFR8C-PB 4GB D3-1600 Memory-HF | 1-100988 | |
| HMT41GU6BFR8C-PB 8GB D3-1600 Memory-HF | 1-100989 | |
| Mic_R D9QBJ 4GB D3L-1600 M2 Memory | 1-100807 | |
| Mic_R D9QBJ 8GB D3L-1600 Memory-HF | 1-101011 | |

| | | |
|--|------------|---|
| HDD | | 2 |
| WDXL500A WD5000AAKX-08U6A0 500G HDD-LH | 16200544 | |
| TSB Mars 4K 500G DT01ACA050 -LH | 16200512 | |
| SGT Pharaoh 4K ST500DM002 500G HDD-LH | 16200178 | |
| 3.5inch SATA6G 7.2K Grenada BP 1.5 1TB | 16200528 | |
| TSB Mars 4K 1TB DT01ACA100 -LH | 16200513 | |
| WD XL1000B WD10EZEX-08M2NA0 1TB HDD | 16200613 | |
| 3.5inch SATA6G 7.2K Grenada BP 1.5 2TB | 16200529 | |
| TSB Mars 4K 2TB DT01ACA200 -LH | 16200514 | |
| ODD | | 2 |
| PSN SW430 HH SATA DVDROM-LH | 25214498 | |
| TSST 16XSH-116BB SATA Black DVDROM-LH | 25213719 | |
| TSST SH-116CB SATA DVD-ROM-LH | 25216227 | |
| HLDS DH60N HH SATA DVD-ROM-LH | 25216229 | |
| HLDS DH50N HH SATA DVD-ROM-LH | 25210649 | |
| PLDS 16XDH-16D7SH HH SATA DVDROM-LH | 25205800 | |
| PLDS 16XDH-16AESH SATA BLACK DVDRW-LH(LSOPU) | 25213061 | |
| TSST SH-216DB HH SATA Rambo DVDROM-LH | 25213720 | |
| Panasonic 16XSW830 HH SATA DVDRW-LH | 25213885 | |
| HLDS GHB0N HH SATA Rambo-LH | 25214470 | |
| Graphics | | 2 |
| MSI@Geforce GTX 745@2G/A/DB/H LP Graphics | 11202803 | |
| BITLAND@Geforce GT 705@1G/A/DB/H LP Graphics | 11-202744 | |
| MSI@Geforce GT 705@1G/A/DB/H LP Graphics | 11-202745 | |
| VIDEO_CARD B@Geforce GT 705@1G/A/DB/H LP | SV10G52019 | |
| VIDEO_CARD M@Geforce GT 705@1G/A/DB/H LP | SV10G52020 | |
| VIDEO_CARD B@Geforce GT 705@2G/A/DB/H LP | SV10G56199 | |
| VIDEO_CARD M@Geforce GT 705@2G/A/DB/H LP | SV10G56200 | |
| MSI@Geforce GT 720@2G/A/DB/H LP Graphics | 11-202747 | |
| BITLAND@R5 235@2G/A/DB/H LP Graphics | 11-202749 | |
| BITLAND@R5 235@1G/A/DB/H LP Graphics | 11-202405 | |
| MSI@R5 235@1G/A/DB/H LP Graphics | 11-202406 | |
| BITLAND@R7 240@2G/A/DB/H LP Graphics | 11-202408 | |

| | | | |
|--|--|------------|---|
| | Power Supply | | N |
| | Liteon PS-3181-02 VG 180w IPG single psu | 36200455 | |
| | Huntkey HK280-71FP 180w IPG single psu | 36200456 | |
| | Liteon PS-4241-02VG 240w IPG single psu | 36200453 | |
| | Huntkey HK340-72FP 240w IPG single psu | 36200454 | |
| | FSP240-40SBV 240W IPG ES single PSU | 36200450 | |
| | Acbel PCB020-EL1G 240w IPG ES single psu | 36200451 | |
| | Liteon PS-4241-01VB 240w IPG ES SG PSU | 36200452 | |
| | Wifi Card & Screw & Rear Antenna cable | | N |
| | Cbt RTL8723BE 1x1BGN+BT HMC WLAN | 20200440 | |
| | Ltn RTL8723BE 1x1BGN+BT HMC WLAN | 20200439 | |
| | Liteon WB335 1x1BGN+BT4.0 HMC WLAN | 20200437 | |
| | JT M2X3 antiskid Screw | 31501076 | |
| | JT Wi-Fi cover | 31501130 | |
| | LS 326CT Antenna 550mm Front | SA30G18119 | |
| | LS 326CT Antenna 400mm Rear | SA30G18120 | |
| | Miscellaneous | | N |
| | Taisol GL827S 7in1 Single_S Reader | 11200646 | |
| | BITLAND RTS5179 7in1 Single_S Reader | 11201119 | |
| | JT H81 MB Rear IO cover | 31504156 | |
| | JT VGA Rubber cover | 31049015 | |
| | MACE VGA Rubber cover - Optional | 31505052 | |
| | JT HDMI Rubber cover | 31049017 | |
| | Cable | | N |
| | LX SATA power cable(300mm_300mm) | 31-502005 | |
| | GX SATA power cable(300mm_300mm) | 31-502006 | |
| | LX 200mm SATA cable left elbow+right elbow | 31501044 | |
| | GX 200mm SATA cable left elbow+right elbow | 31501045 | |
| | LX 200mm SATA cable left elbow+right elbow | 31501044 | |
| | GX 200mm SATA cable left elbow+right elbow | 31501045 | |
| | LS USB2.0 F_IO cable_U500A600_326CT | 31507414 | |
| | MGE SB2.0 F_IO cable_U500A600_326CT | 31507415 | |
| | Touch Pad | | N |
| | Chicony TGR1226 2.4G touchpad BLK final | 25212969 | |
| | Speaker | | 1 |
| | Lenovo Speaker M0620 (Black) | 25013742 | |

| | | |
|---|------------|---|
| Chassis | | N |
| JT LX-326CT chassis | 30500528 | |
| JT LX-326CT Chassis | 5C80G59892 | |
| JT LX-326CT Chassis F/Bezel | 5CB0G59895 | |
| JT LX-326CT USB&CR Bracket | 5B40G59896 | |
| JT 328BT-23L Wlan Antenna Cover | 5CB0G59219 | |
| JT H81MB rearIO shielding | 31504156 | |
| LS 600mm 321HT&326CT LED cable | 31507411 | |
| JT 600mm 321HT&326CT LED cable | 31507412 | |
| MGE 600mm 321HT&326CT LED cable | 31507413 | |
| MACE LX-326CT2 chassis | 30500529 | |
| MACE LX-326CT2 Chassis | 5C80G59898 | |
| MACE LX-326CT2 Chassis F/Bezel | 5CB0G59897 | |
| MACE LX-326CT2 USB&CR Bracket | 5B40G59899 | |
| JT 328BT-23L Wlan Antenna Cover | 5CB0G59219 | |
| JT H81MB rearIO shielding | 31504156 | |
| LS 600mm 321HT&326CT LED cable | 31507411 | |
| JT 600mm 321HT&326CT LED cable | 31507412 | |
| MGE 600mm 321HT&326CT LED cable | 31507413 | |
| KB&Mouse | | 1 |
| Sunrex EKB-10YA(US) B-Silk USB KB-LVT8 | 25209111 | |
| Primax KB4721(US) B-Silk USB KB-LVT8 | 25209112 | |
| Sunrex EKB-10YA(TW) B-Silk USB KB-LVT8 | 25209114 | |
| Sunrex EKB-10YA(TH) B-Silk USB KB-LVT8 | 25209115 | |
| Sunrex EKB-10YA(CZ-SL) B-S USB KB-LVT8 | 25209116 | |
| Sunrex EKB-10YA(IN) B-Silk USB KB-LVT8 | 25209117 | |
| Sunrex EKB-10YA(RU) B-Silk USB KB-LVT8 | 25209118 | |
| Sunrex EKB-10YA(UK) B-Silk USB KB-LVT8 | 25209119 | |
| Sunrex EKB-10YA(Nordic) B-S USB KB-LVT8 | 25209120 | |
| Sunrex EKB-10YA(LA) B-Silk USB KB-LVT8 | 25209121 | |
| Sunrex EKB-10YA(AR) B-Silk USB KB-LVT8 | 25209122 | |
| Sunrex EKB-10YA(SW) B-Silk USB KB-LVT8 | 25209123 | |
| Sunrex EKB-10YA(GE) B-Silk USB KB-LVT8 | 25209124 | |
| Sunrex EKB-10YA(TR) B-Silk USB KB-LVT8 | 25209125 | |
| Sunrex EKB-10YA(SP) B-Silk USB KB-LVT8 | 25209126 | |
| Sunrex EKB-10YA(SL) B-Silk USB KB-LVT8 | 25209127 | |
| Sunrex EKB-10YA(IT) B-Silk USB KB-LVT8 | 25209128 | |
| Sunrex EKB-10YA(HB) B-Silk USB KB-LVT8 | 25209129 | |
| Sunrex EKB-10YA(FR) B-Silk USB KB-LVT8 | 25209130 | |
| Sunrex EKB-10YA(GK) B-Silk USB KB-LVT8 | 25209131 | |

| | |
|--|----------|
| Sunrex EKB-10YA(HG) B-Silk USB KB-LVT8 | 25209132 |
| Sunrex EKB-10YA(BG) B-Silk USB KB-LVT8 | 25209133 |
| Sunrex EKB-10YA(HR) B-Silk USB KB-LVT8 | 25209134 |
| Sunrex EKB-10YA(JP) B-Silk USB KB-LVT8 | 25209135 |
| Sunrex EKB-10YA(EN-FR) B-S USB KB-LVT8 | 25209136 |
| Sunrex EKB-10YA(PT) B-Silk USB KB-LVT8 | 25209137 |
| Sunrex EKB-10YA(BE-EN) B-S USB KB-LVT8 | 25209138 |
| Sunrex EKB-10YA(DU) B-S USB KB-LVT8 | 25209139 |
| Sunrex EKB-10YA(US) B-Silk USB KB-OKE8 | 25209140 |
| Primax KB4721(US) B-Silk USB KB-OKE8 | 25209141 |
| Chicony KU-1153 B-Silk USB KB-OKE8 | 25209142 |
| Sunrex EKB-10YA(US) B-S USB KB-LVT8 LH | 25209143 |
| Sunrex EKB-10YA(US) B-S USB KB-OKE8 LH | 25209144 |
| Liteon LXH-SM-8825 B-Silk Mouse | 25200528 |
| Sunrex LXH-EMS-10ZA B-Silk Mouse | 25200530 |
| Primax M300 USB gesture mouse BLK | 25213876 |
| Primax M300 USB gesture mouse BLK-Israel | 25214502 |
| Liteon SK-8861(US) 2.4G KB-Black8 | 25209175 |
| Liteon SK-8861(US-MY) 2.4G KB-Black8 | 25209176 |
| Liteon SK-8861(TW) 2.4G KB-Black8 | 25209177 |
| Liteon SK-8861(TH) 2.4G KB-Black8 | 25209178 |
| Liteon SK-8861(CS-SK) 2.4G KB-Black8 | 25209179 |
| Liteon SK-8861(US-IN) 2.4G KB-Black8 | 25209180 |
| Liteon SK-8861(RU) 2.4G KB-Black8 | 25209181 |
| Liteon SK-8861(GB) 2.4G KB-Black8 | 25209182 |
| Liteon SK-8861(Nordic) 2.4G KB-Black8 | 25209183 |
| Liteon SK-8861(LA) 2.4G KB-Black8 | 25209184 |
| Liteon SK-8861(LA-AR) 2.4G KB-Black8 | 25209185 |
| Liteon SK-8861(SA) 2.4G KB-Black8 | 25209186 |
| Liteon SK-8861(CH) 2.4G KB-Black8 | 25209187 |
| Liteon SK-8861(DE) 2.4G KB-Black8 | 25209188 |
| Liteon SK-8861(TR) 2.4G KB-Black8 | 25209189 |
| Liteon SK-8861(ES) 2.4G KB-Black8 | 25209190 |
| Liteon SK-8861(SL) 2.4G KB-Black8 | 25209191 |
| Liteon SK-8861(IT) 2.4G KB-Black8 | 25209192 |
| Liteon SK-8861(IL) 2.4G KB-Black8 | 25209193 |
| Liteon SK-8861(FR) 2.4G KB-Black8 | 25209194 |
| Liteon SK-8861(GR) 2.4G KB-Black8 | 25209195 |
| Liteon SK-8861(HU) 2.4G KB-Black8 | 25209196 |
| Liteon SK-8861(BG) 2.4G KB-Black8 | 25209197 |

| | |
|--|-----------|
| Liteon SK-8861(KR) 2.4G KB-Black8 | 25209198 |
| Liteon SK-8861(JP) 2.4G KB-Black8 | 25209199 |
| Liteon SK-8861(EN-FR) 2.4G KB-Black8 | 25209200 |
| Liteon SK-8861(PT) 2.4G KB-Black8 | 25209201 |
| Liteon SK-8861(BE-EN) 2.4G KB-Black8 | 25209202 |
| Liteon SK-8861(DU) 2.4G KB-Black8 | 25209203 |
| Liteon SM-8861(WW) Mouse Black | 25203464 |
| Liteon SM-8861 Mouse(No Battery) Black | 25203465 |
| Liteon SM-8861 Mouse(MY) Black | 25203466 |
| Liteon SM-8861(JP) Mouse-Black | 25-205773 |

Chapter 12. General information

This chapter provides general information that applies to all machine types supported by this publication.

Additional Service Information

This chapter provides additional information that the service representative might find helpful.

Power management

Power management reduces the power consumption of certain components of the computer such as the system power supply, processor, hard disk drives, and some monitors.

Advanced configuration and power interface (ACPI) BIOS

As this computer has an ACPI BIOS system, the operating system is allowed to control the power management features of the computer and the settings for Advanced Power Management (APM) BIOS mode is ignored. Not all operating systems support ACPI BIOS mode.

Automatic Power-On features

The Automatic Power-On features within the Power Management menu allow you to enable and disable features that turn on the computer automatically.

- **Wake Up on Alarm:** You can specify a date and time at which the computer will be turned on automatically. This can be either a single event, a daily event or a weekly event.
- **Wake Up on LAN:** This feature allows LAN adapter card to wake the System.