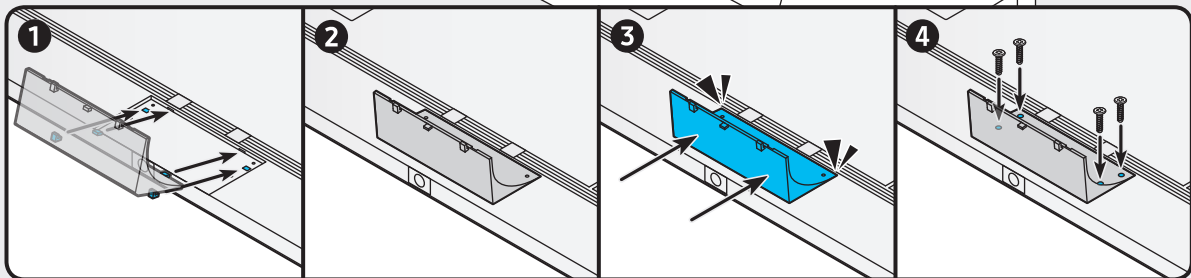
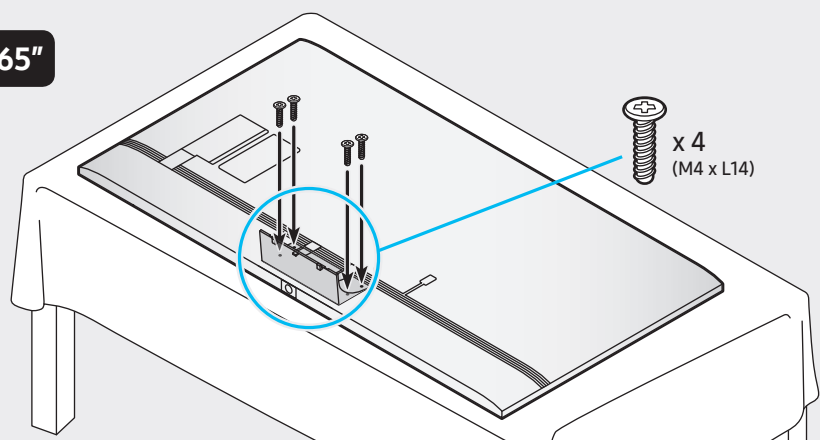
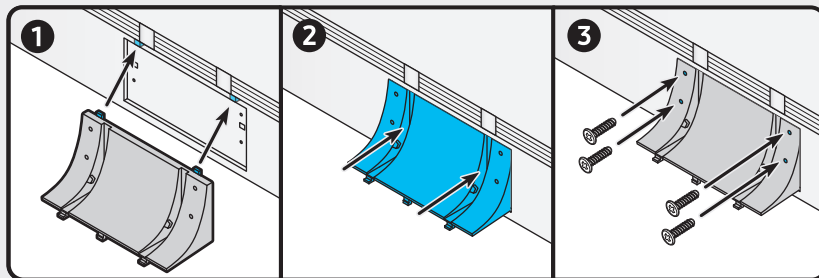
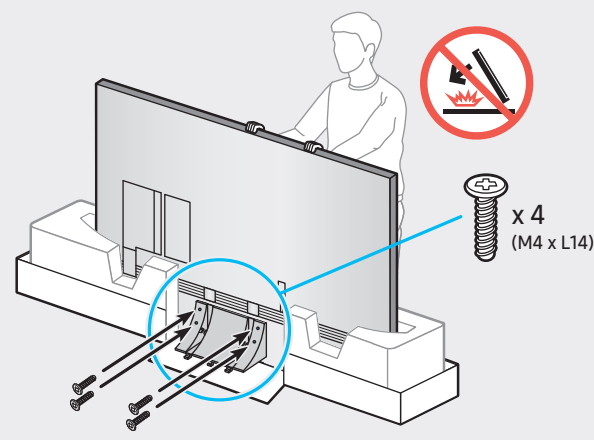


4

55" - 65"

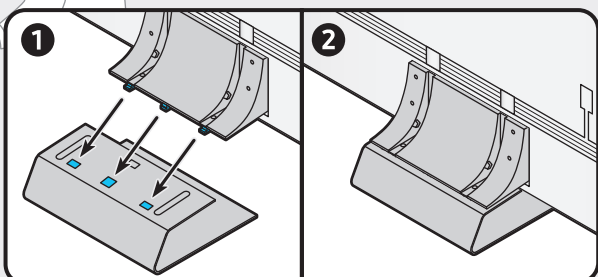
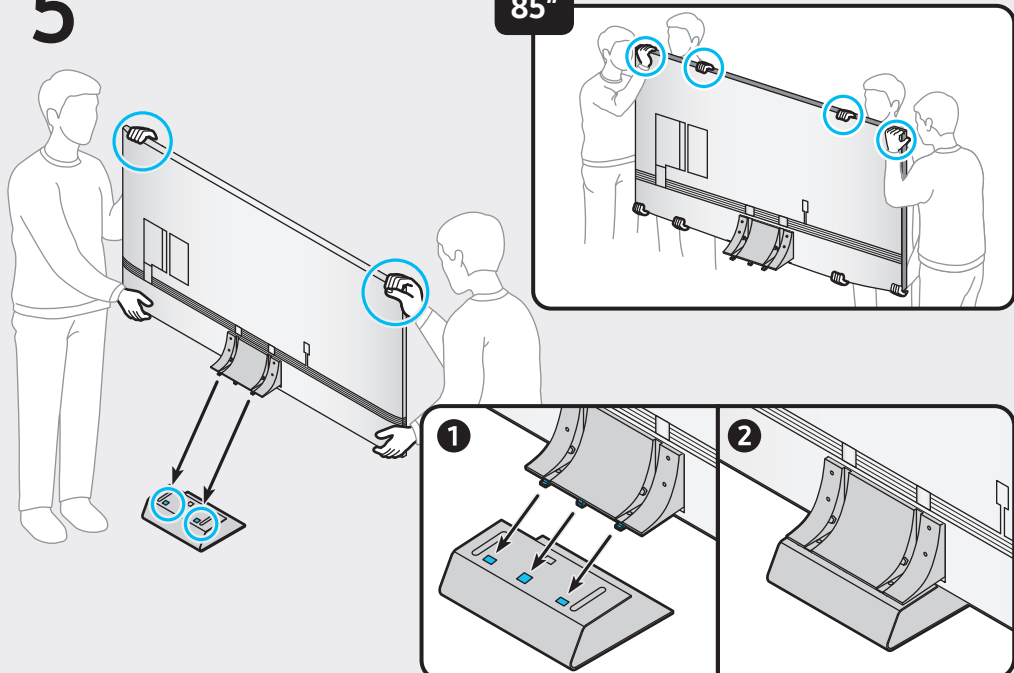


75" - 85"

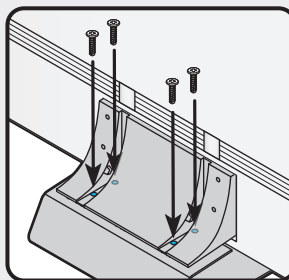
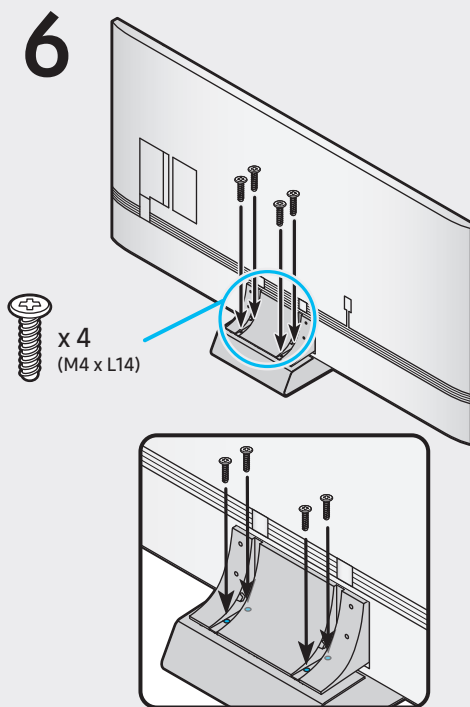


5

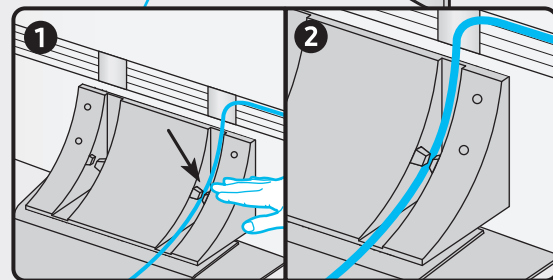
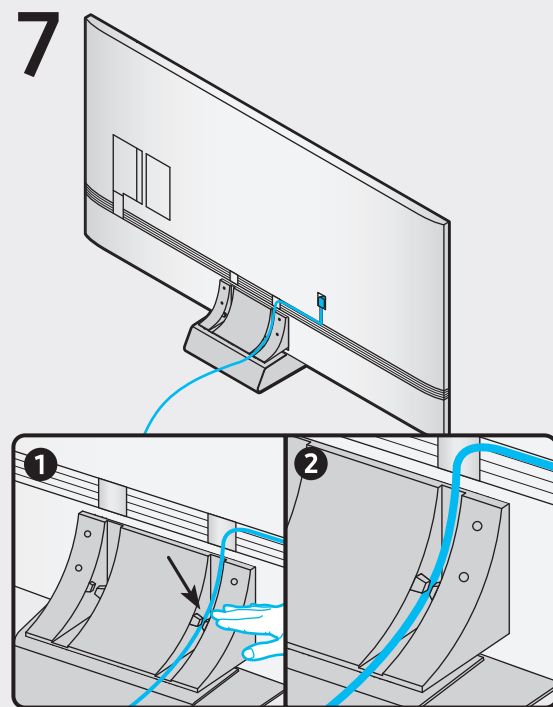
85"



6



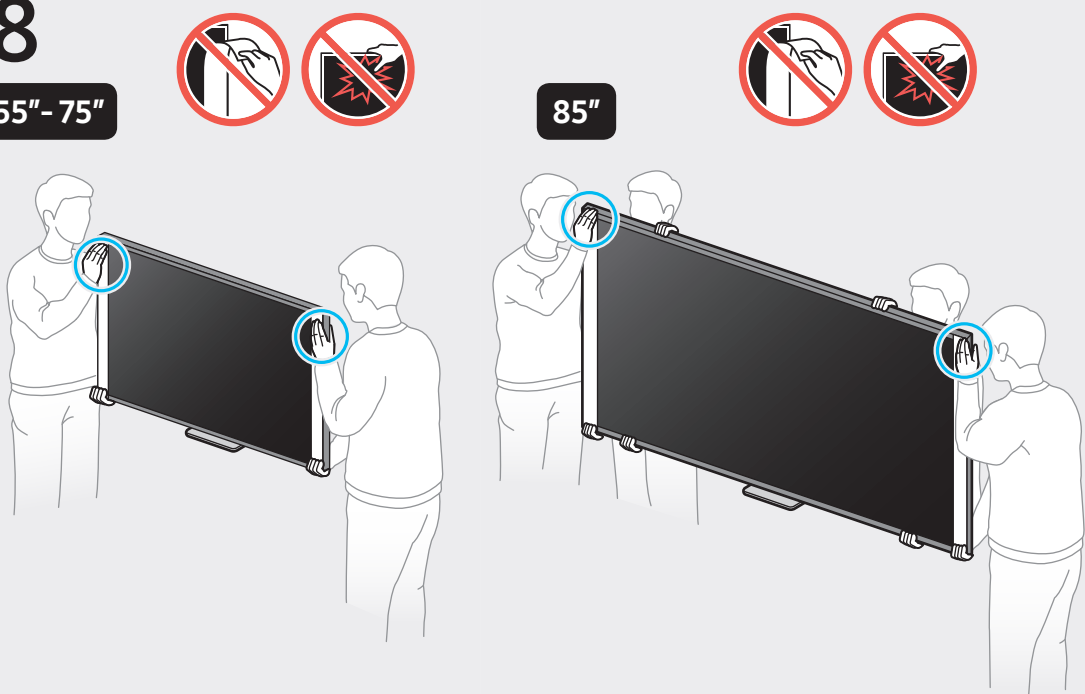
7



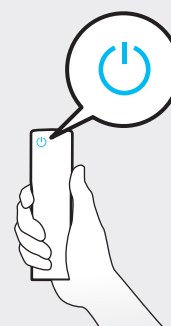
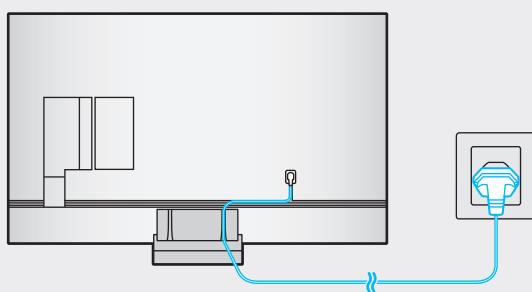
8

55" - 75"

85"



9

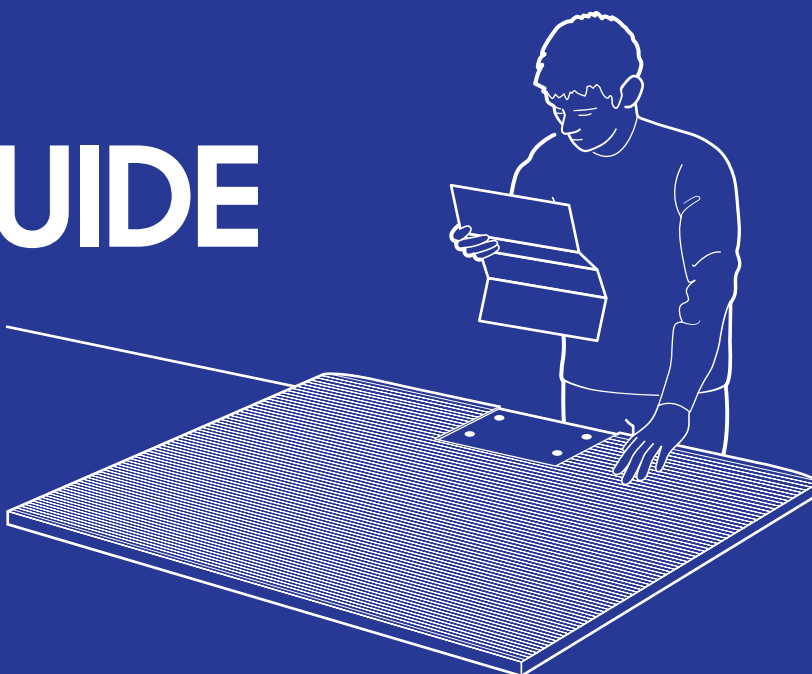
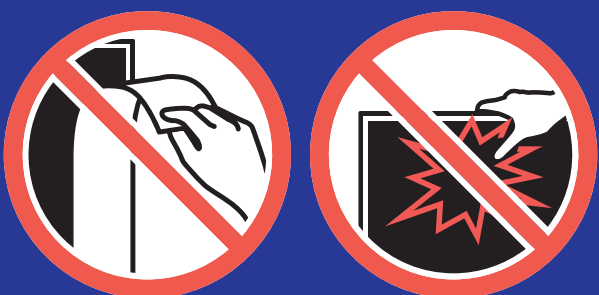


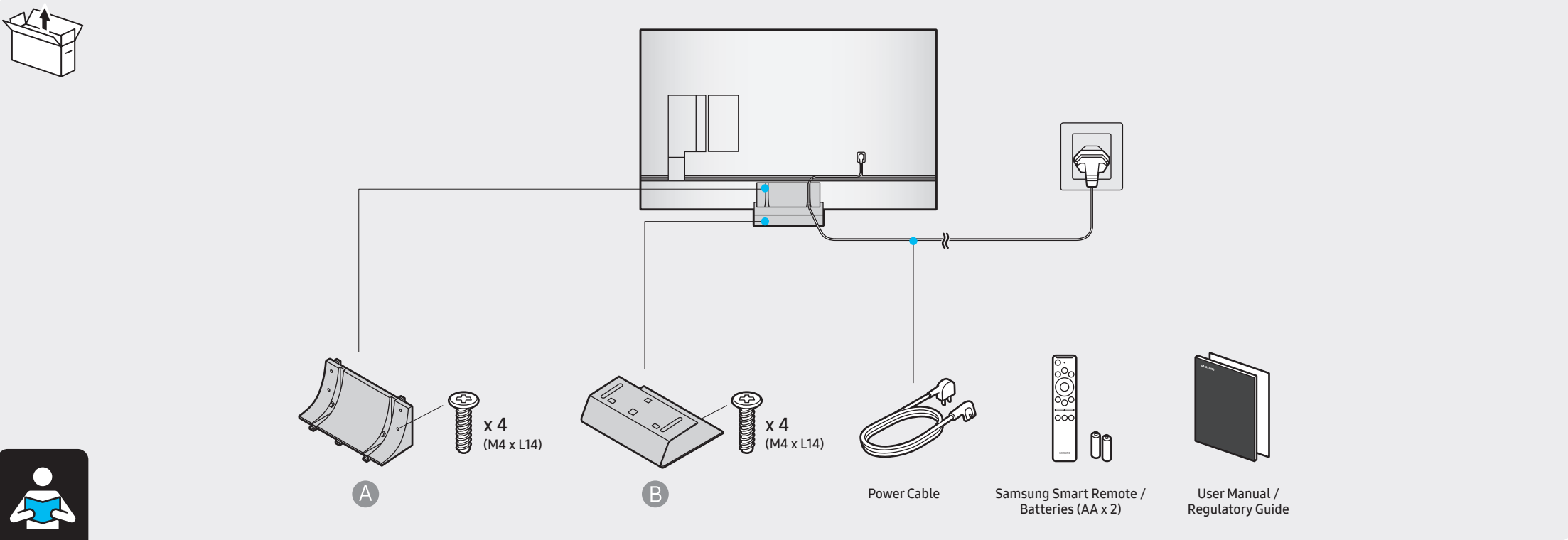
SAMSUNG

QUICK SETUP GUIDE



Scan this QR code with your smart phone to see helpful videos.





55" - 65"

