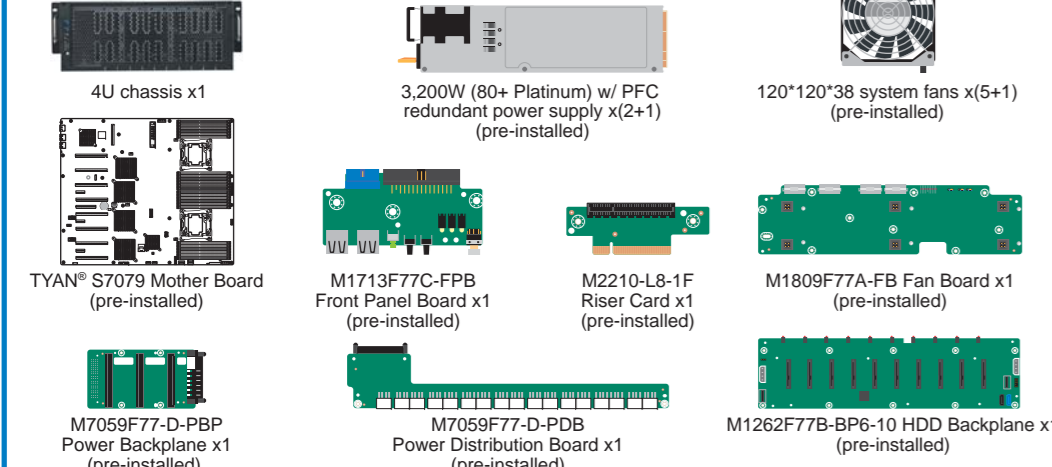


## 1 General Information

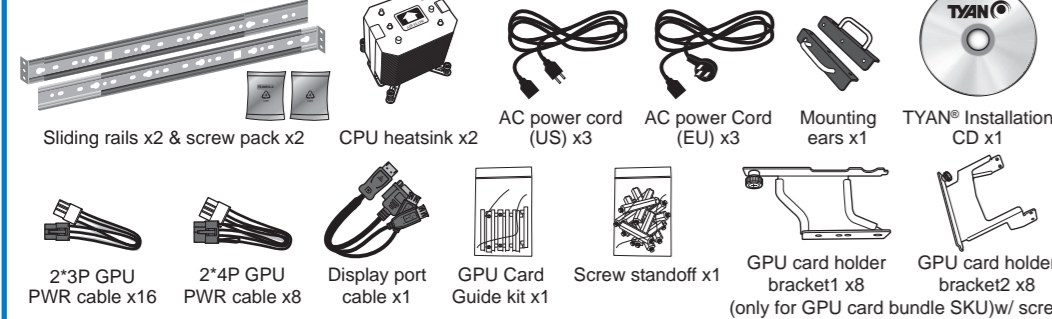
### Read Me First

- The Barebone User's Manual is available for download from our Web site at <http://www.tyan.com>. Make sure to read all precautions and instructions before you start installing the server system.
- Refer all servicing to qualified personnel to avoid the risk of damage to the server system.
- Exercise normal ESD (Electrostatic Discharge) procedures during system integration. TYAN/MITAC recommends wearing gloves and an anti-static wrist strap to avoid possible damage to the equipment.
- Current processor socket design places the pins on the motherboard instead of the processor itself. Exercise caution when installing the processors as the manufacturer's warranty does not cover damage inflicted upon the motherboard, including damage to the CPU sockets.

### Box Content



### Accessories



### Required Hardware Components

- Minimum Hardware Requirements**
- To avoid integration difficulties and possible board damage, your system must meet the following minimum requirements:
- Processor: Intel® Xeon® E5-2600 v3 series processors
  - Memory Type: Minimum of one 1GB, 240-pin DDR3 2133/1866/1600/1333 MHz DIMMs
  - Hard Disk Drives: 2.5"/3.5" SATA/SAS HDD
  - Rack Mount Kit (Industry 19" rack-mountable)
- NOTE:** The updated hardware requirements of the system please refer to the barebones user's manual on our website at <http://www.tyan.com>

### Tools Required



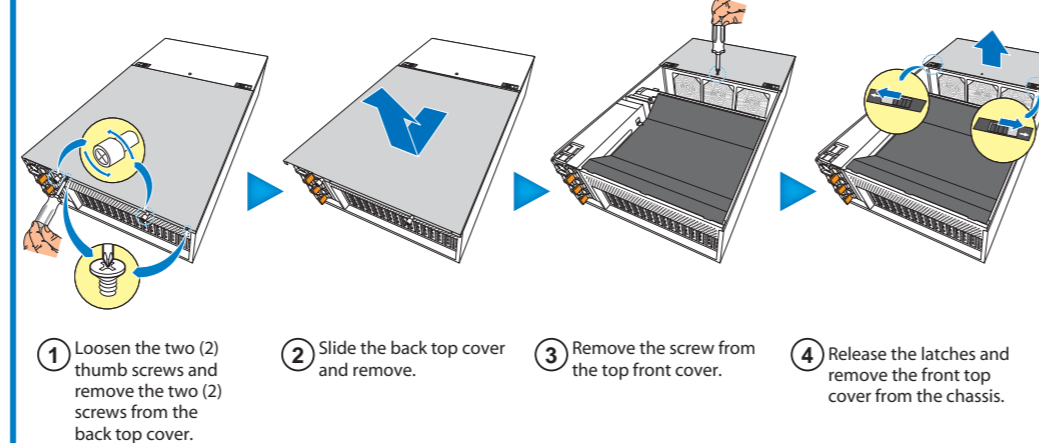
## 2 System Installation



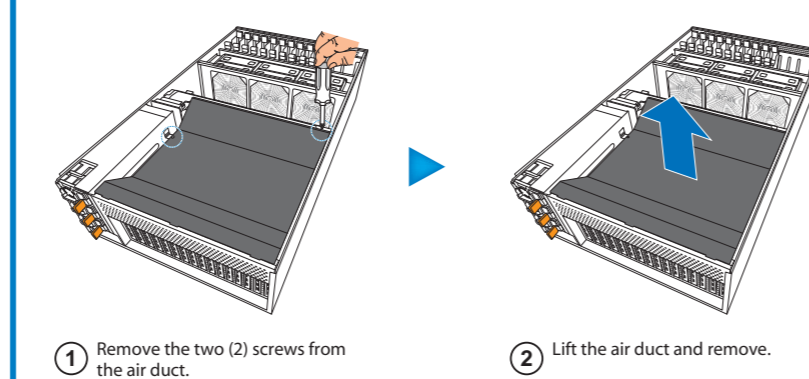
### Open the Chassis

#### Preparing the Chassis

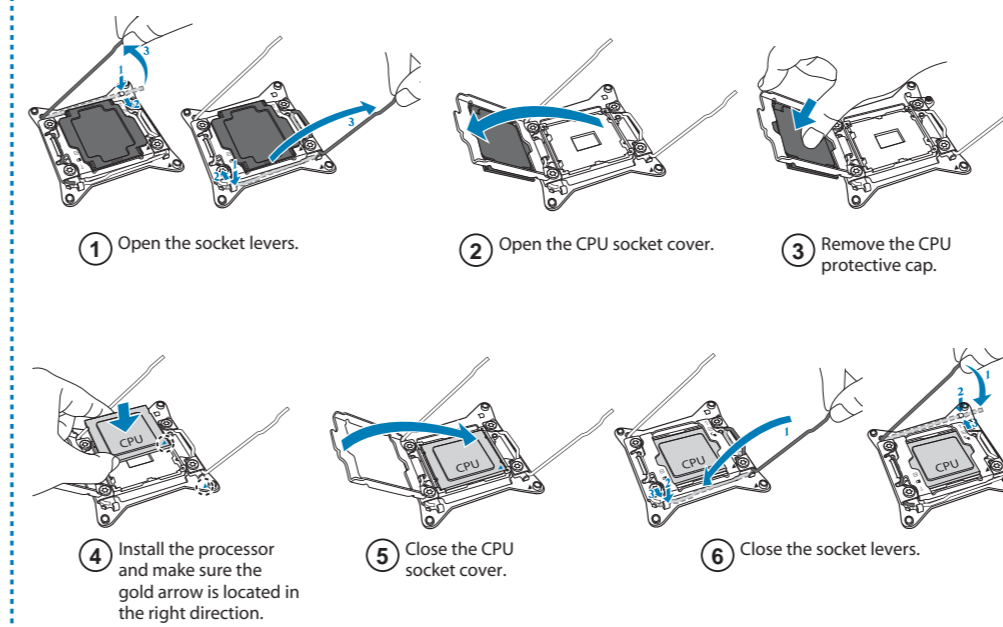
Read normal ESD (Electrostatic Discharge) procedures. Place your TYAN® Server Chassis on a flat anti-static surface to perform the following integration procedures. Read ESD procedures before reaching inside to install components.



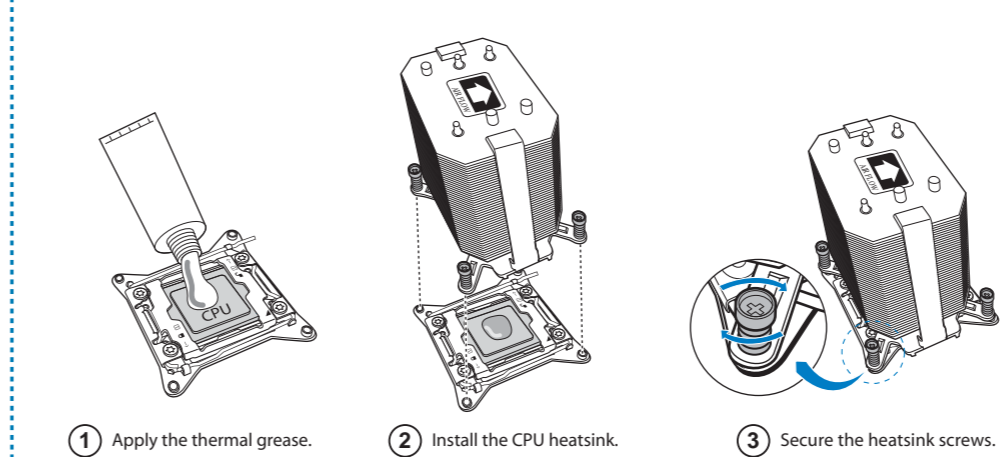
### Remove the Air Duct



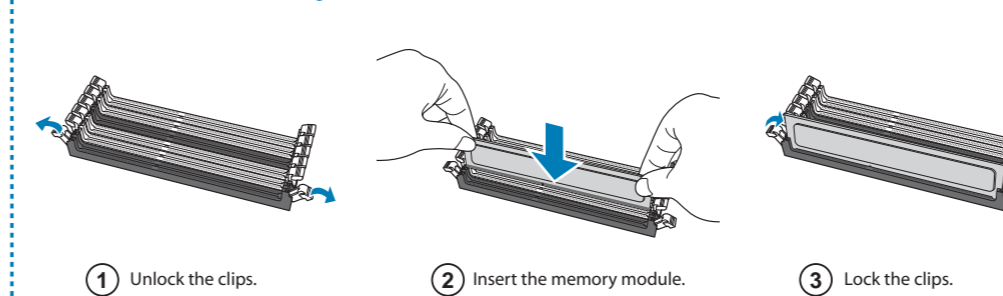
### Install the Processor



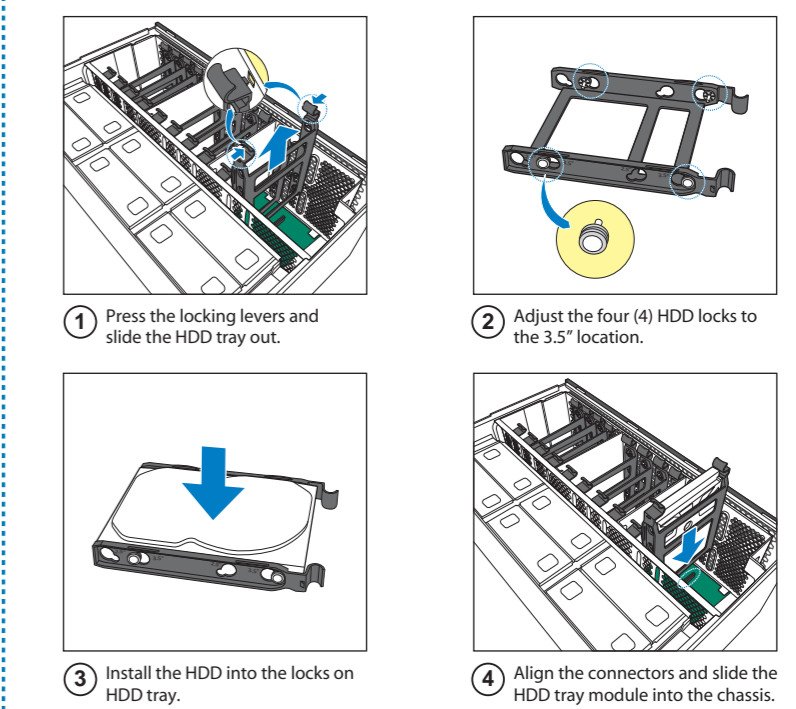
### Install the CPU Heatsink



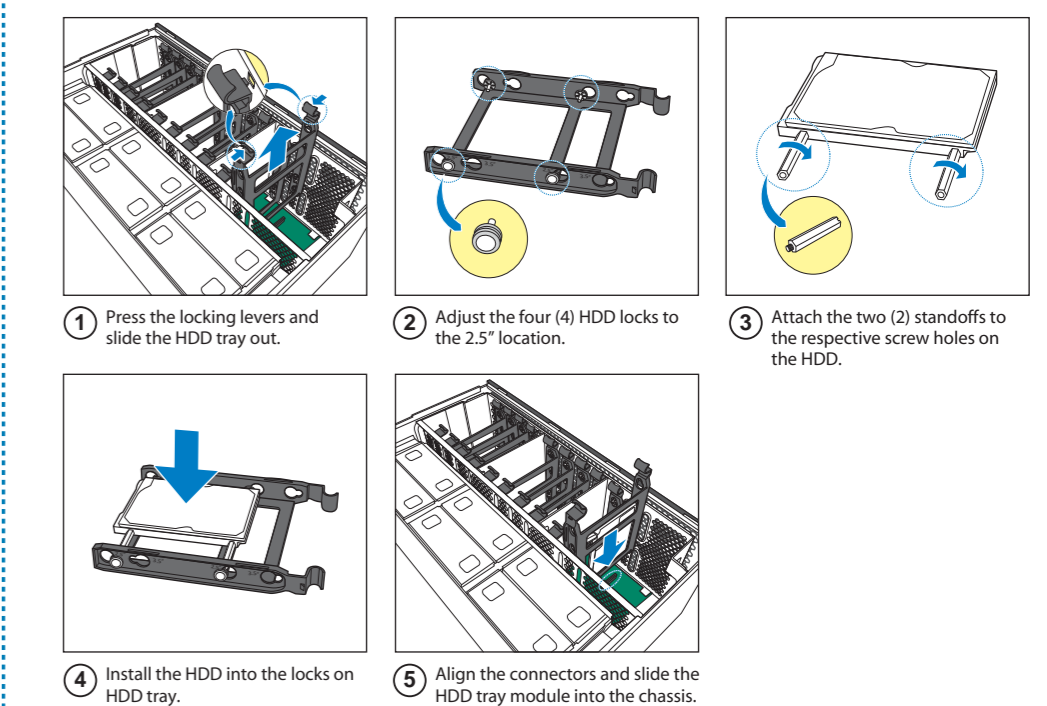
### Install the Memory



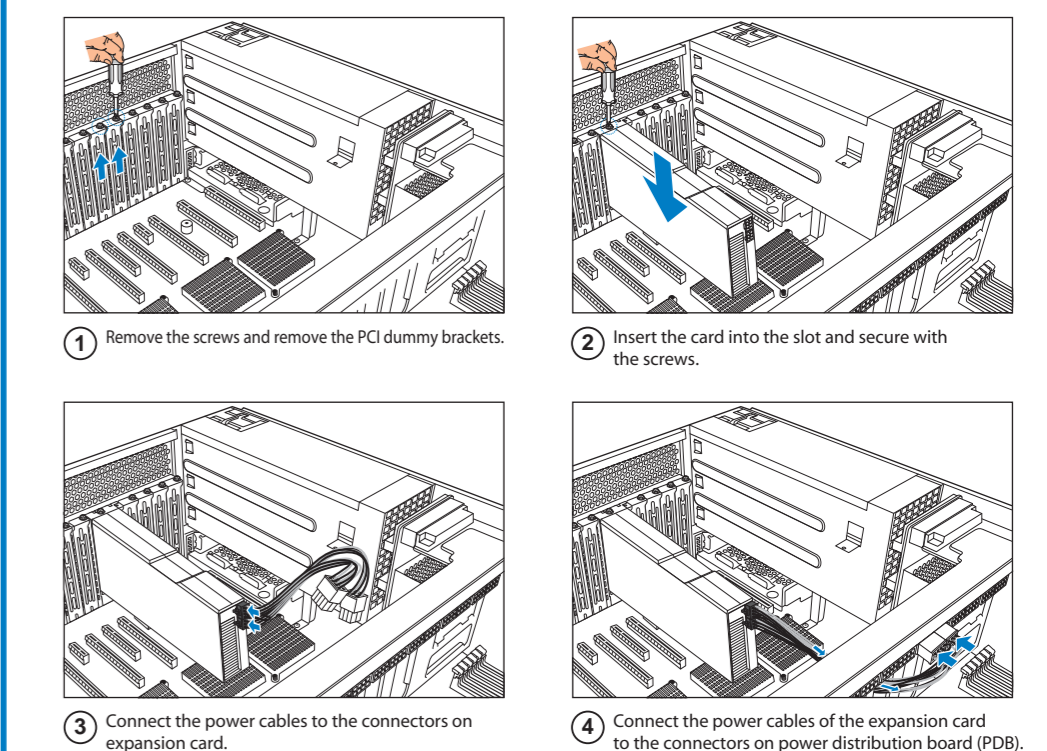
### Install the Hard Disks (3.5")



### Install the Hard Disks (2.5")

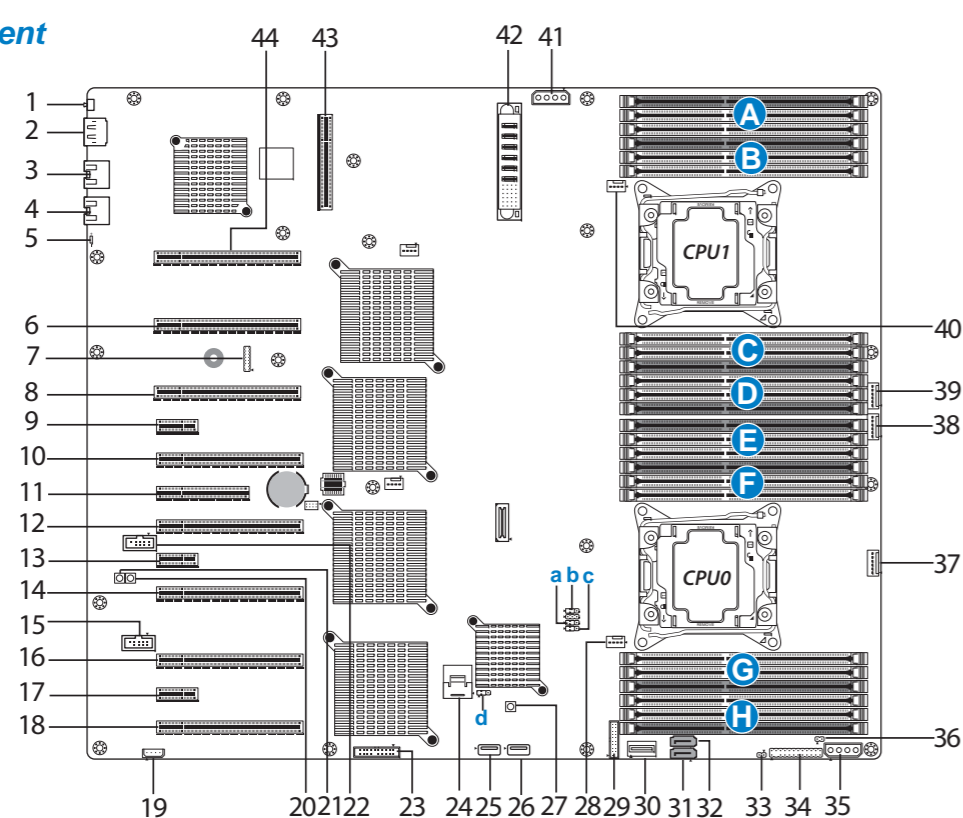


### Installing the Add-on card (Optional)



- NOTE:**
- Connect the add-on power cable to the connector of the add-on module. Please refer to the barebone user's manual on our web site at <http://www.tyan.com> for more details.
  - When install the memory which near USB 3.0 cable, the cable must be disconnect first.
  - Only SKU B7079F77C10HR-X, B7079F77C10HR-N with installed air duct in the chassis.

### Motherboard Placement



### CONNECTORS

- ID LED Button (SW1)
- Display Input Connector (J3)
- LAN Port # 2 Connector (J2)
- LAN Port # 1 Connector (J1)
- ID LED (LED1)
- PCIe x 16 # 13 Connector (J13)
- TYAN Module Header (J19)
- PCIe x 16 # 11 Connector (J12)
- PCIe x 1 # 10 Connector (J17)
- PCIe x 16 # 9 Connector (J11)
- PCIe x 8 # 8 Connector (J6)
- PCIe x 16 # 7 Connector (J10)
- PCIe x 1 # 6 Connector (J16)
- PCIe x 16 # 5 Connector (J9)
- COM2 Connector (J24)
- PCIe x 16 # 3 Connector (J8)
- PCIe x 1 # 2 Connector (J15)
- PCIe x 16 # 1 Connector (J7)
- IPMB Connector (J31)
- Reset Button (SW3)
- Power Button (SW2)
- COM1 Connector (J23)
- Fan Connector for BB (J35)
- Mini SAS Connector (SSATA0-3) (J32)
- Type-A USB Header (J59)
- Type-A USB Header (J58)
- Clear Button
- CPU0 Fan Connector (J41)
- Front USB3.0 Header
- Mini SAS Connector (SATA0-3) (J42)
- Serial ATA Connector (J57)
- Serial ATA Connector (J56)
- Chassis Intrusion Header (J38)
- Front Panel Connector (J60)
- Power Connector (PW1)
- ID LED Button Header (J46)
- 6-pin Fan Connector (SYS\_FAN3) (J74)
- 6-pin Fan Connector (SYS\_FAN2) (J75)
- 6-pin Fan Connector (SYS\_FAN1) (J76)
- CPU1 Fan Connector (J43)
- Power Connector (PW2)
- Power Connector (J36)
- PCIe x 8 Connector for Mezzanine Card
- PCIe x 16 # 15 Connector (J14)

### SLOTS

- A CPU1 DIMM Slots (Channel A)
- B CPU1 DIMM Slots (Channel B)
- C CPU1 DIMM Slots (Channel D)
- D CPU1 DIMM Slots (Channel C)
- E CPU0 DIMM Slots (Channel A)
- F CPU0 DIMM Slots (Channel B)
- G CPU0 DIMM Slots (Channel D)
- H CPU0 DIMM Slots (Channel C)

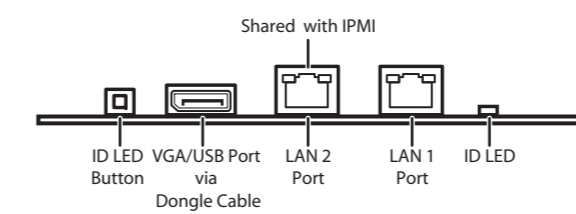
### JUMPER

- a BIOS Advanced Mode Jumper
- b BIOS Recovery Mode Jumper
- c ME Recovery Mode Jumper
- d Security Override Mode Jumper

**NOTE:** There is risk when setting the jumper by yourself.

## 3 I/O Ports

### Locate the External I/O Port



## 4 Caution

### CPU Cover for DOA/RMA

**NOTE:** Please save and replace the CPU protection cap when returning the server board for service.

