

43"	HG43NJ678UFXZA	55"	HG55NJ678UFXZA
50"	HG50NJ678UFXZA	65"	HG65NJ678UFXZA

Make a stunning first impression.



NJ678U Series Hospitality TVs

Meet guests' TV expectations with 4K UHD resolution.

Impress your guests from the moment they walk into their rooms. Furnish your rooms with the Samsung NJ678U Series 4K UHD TVs. With stunning 4K resolution and HDR10+ picture technology, everything your guests view on the NJ678U TV will be exceptionally sharp, clear and bright. Whether it's TV, in-room ads or your own proprietary content, your guests will have a hard time looking away. And the leading LED panel manufacturer in the world allows you to deliver this superior experience while still being considerate of your budget. Direct-lit LED technology offers all the benefits of LCD with a cost of entry not much different than traditional CCFL back-lighting. And content management is made simple with the Samsung REACH 4.0 management solution.

Key Features

4K UHD 4K UHD resolution delivers a breathtaking experience.

Deliver a first-class experience with stunning 3840 x 2160 UHD resolution. Every picture will be sharp and impressive, every word crisp and legible.

4K HDR10+ HDR10+ picture technology for incredible depth.

4K delivers more pixels, and HDR10+ gets the most out of every one. Color is richer. Light and dark scenes are more balanced. Contrast is expanded, for greater picture depth and nuance. Every guest experience with the NJ678U Series TV will be an incredible one.



Direct-Lit LED for an affordable, superior experience.

Direct-lit LED technology provides the brilliance and energy savings advantages of LED technology, along with the uniform brightness typical of CCFL-backlit displays. And it does it with an efficiency that makes it a more affordable technology.



Samsung LYNK™ DRM HD content decryption.

Samsung's software-based DRM technology is integrated into the entire Samsung Hotel TV line. Samsung LYNK™ offers a robust solution to unlock premium HDTV content from content providers such as cable, satellite and VOD providers, with efficiency and security.



Pro:Idiom™ HD content decryption DRM.

The NJ678U Series is equipped with Pro:Idiom™ MPEG4 technology, making the TVs compatible with most major VOD/PPV systems.



Samsung LYNK™ REACH 4.0 content management.

Samsung's LYNK REACH 4.0 is a complete content management solution that accommodates coaxial, LAN and Wi-Fi infrastructures to amplify hotel management, monitoring and guest service functions. LYNK REACH 4.0 enriches the guest experience with efficiency-enhancing technology that transforms the in-room display into a comprehensive digital experience.



b-LAN (SONIFI®) integration.

Broadband Local Area Network (b-LAN) integrates SONIFI® technology to allow televisions to work with the SONIFI® system right out of the box.



A host of features.

The display pedestal stands rotate with 20/20, 60/60 and 90/90 degree stops, for easy adjustability. Other features of the NJ678U Series include: Home Menu, RJ12 IR PASS, Volume Limiters, Rear Panel Lock-out, Menu Display Lock-out, Hotel Custom Logo/Welcome Message, Channel List Guide, Channel Re-mapping, Remote Jack Pack (RJP) Priority, USB Cloning and Anti-Theft Battery Cover Remote Control.

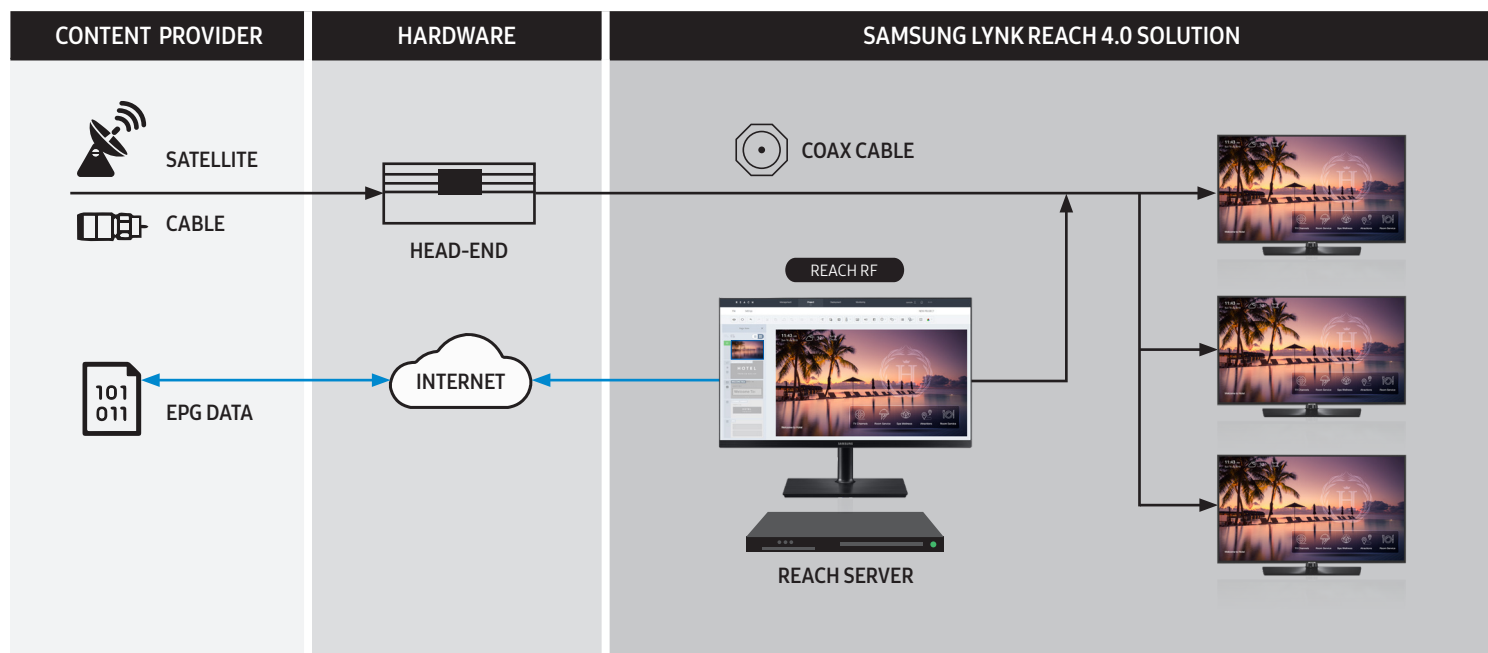
A better environment and easier management through Samsung LYNK.™

Samsung LYNK REACH 4.0 CMS delivers more than just content.

Control content on hundreds of TVs at once. Eliminate room-by-room visits to each guest room by using a single-location remote solution. The REACH (RF) Server delivers updated firmware and other settings to TVs through RF signals. REACH (IP) is also available for centralized control of SMART hospitality TVs without the need of additional hardware. Updates are simple and simultaneous, so there's no need to go from room to room to update each display with USB Cloning. This way, your staff has more time to focus on other ways of improving the guest experience.

Reinforce your brand. Extend your hospitality beyond your front lobby and into your rooms for a tailored, personalized guest experience. With the fully customizable Graphical User Interface (GUI), you can choose from the pre-built templates or upload your own assets to develop a GUI from scratch. Plus, Samsung has a network of certified REACH integration partners who can also provide turnkey solutions.

Keep your guests entertained. LYNK REACH provides channel management capabilities including a customizable interactive program guide. Additionally, with third-party casting services, your guests can connect their mobile devices to the in-room screen. With a few easy steps, they can access 1000+ apps for an exceptional entertainment experience.



Digital Rights Management (DRM)

Samsung LYNK™ DRM HD Content Decryption (RF)

Samsung's software-based DRM technology is integrated into the entire Samsung Hotel TV line. Samsung LYNK™ offers a robust solution to unlock premium HDTV content from content providers such as cable, satellite and VOD providers, with maximum efficiency and security.

Pro:Idiom™ DRM HD Content Decryption (RF)

The NJ678U Series is equipped with Pro:Idiom™ MPEG4 technology, making the TVs compatible with most major VOD/PPV systems. You can offer your guests premium HDTV content from cable, satellite or video-on-demand services with no optional cards or external box needed.

b-LAN (SONIFI® integration)

Broadband Local Area Network (b-LAN) integrates SONIFI® technology to allow televisions to work with the SONIFI® system right out of the box, without any need to add terminals or cards.



Pro:Idiom™

SAMSUNG

Connections

AnyNet+ (HDMI – CEC)

This Samsung protocol allows the user to control other HDMI devices connected to the TV display, such as DVD players, PC computers and Soundbars.

ConnectShare™ (USB 2.0)

Connect a thumb drive or digital camera quickly and easily. User-friendly interface allows access to videos, a music playlist and pictures via the remote.

Hotel TV (RJ-12/IR Pass Through)

Allows you to connect an interactive STB/SBB (Set Top Box/Set Back Box).

Interactive Compatibility System



Remote Jack Panel (RJP) Compatibility



Management and Guest Convenience

Anti-Theft Battery Cover

Battery door is secured, ensuring batteries remain in the remote controller.

Auto Channel Search

Auto detect channel while in Hotel mode.

Clock On Timer and Alarm Key

Allows guests to program their TVs to turn on as a wake-up alarm.

Closed Captioning

A text display of all audio content, including spoken dialog and non-speech information such as the identity of the speakers and symbols for sound effects and music.

Hotel Channel List

Guest master channel listing of program content. This will display content in analog or HD.

Hotel Logo Display with Time Out Setting

Display hotel logo bitmap files as a greeting startup display.

Hotel Mode Plug & Play

Interactive and Stand-Alone modes available.

Lockout Controls

The hotelier can enable front panel and menu display lock-outs.

Multi-Code Remote

Eliminates interference when two or more TVs are used in close proximity to each other.

Power On Status Setting

Settings include Power Always On, Last Option or Standby.

On Screen Display Language

Choose English/French/Spanish.

Sleep Timer

Allows guests to set TV turn-off time in 30-minute intervals up to 180 minutes.

USB Cloning

A quick and easy way to copy the ideal settings off one television to others on the property. Saves time and helps provide a consistent viewing experience for all televisions.

Picture and Audio

4K UHD Resolution

The NJ678U Series TVs feature 3840 x 2160 UHD resolution, and deliver the sharp, clear, colorful images Samsung is known for.

Auto Volume Limiter

During initial product setup, minimum and maximum volume levels can be locked to help minimize disturbance to other hotel guests.

Music Mode (Input: HDMI/PC/AV/Component)

Allows audio feedback when picture is muted.

Music Mode Backlight On/Off

Background display.

Premium Slim Direct-Lit LED Technology

Direct-lit LED technology provides the brilliance and energy savings advantages of LED technology, along with the uniform brightness typical of CCFL displays. And it does it all with an efficiency that makes it a more affordable technology. In fact, it's possible to upgrade your rooms to LED technology for a cost comparable to CCFL technology. When you add the energy savings of up to 50% that LED offers over CCFL, you end up with the perfect solution for both you and your guests.

Samsung Soundbar Compatible

Samsung Hospitality Displays enable Soundbar compatibility by supporting HDMI-CEC. When you connect the Soundbar to the Samsung Hospitality Display with an HDMI cable, the TV audio settings and menu lock feature are automatically applied, so you don't have to set up the Soundbar separately. You can also prevent guests from changing the settings. With a single remote, guests can control both the TV and Soundbar simultaneously.

Swivel (20/20, 60/60 and 90/90) Stands

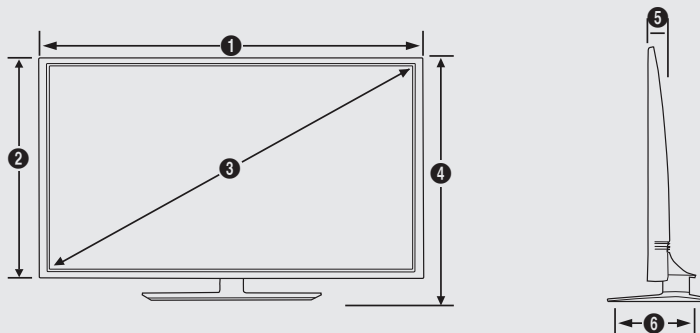
Pedestal stands rotate with 20/20, 60/60 and 90/90 degree stops, so wherever in the room your guests are, they should have an excellent view of their TV. Swivel stand includes integrated mounting plate and bolt-down kit.

Warranty

Hospitality Warranty

2-year parts and 2-year labor warranty backed by the Samsung Hospitality Hotline at 1-866-894-0524. Optional professional installation, accessories and extended warranty are available.

NJ678U Series Dimensions



43" | HG43NJ678UFXZA - 2160p UHD

1	2	3	4	5	6
38.2"	22.2"	43.0"	24.3"	2.3"	8.9"

55" | HG55NJ678UFXZA - 2160p UHD

1	2	3	4	5	6
48.8"	28.1"	55.0"	30.2"	2.3"	8.9"

50" | HG50NJ678UFXZA - 2160p UHD

1	2	3	4	5	6
44.3"	25.6"	50.0"	27.7"	2.4"	8.9"

65" | HG65NJ678UFXZA - 2160p UHD

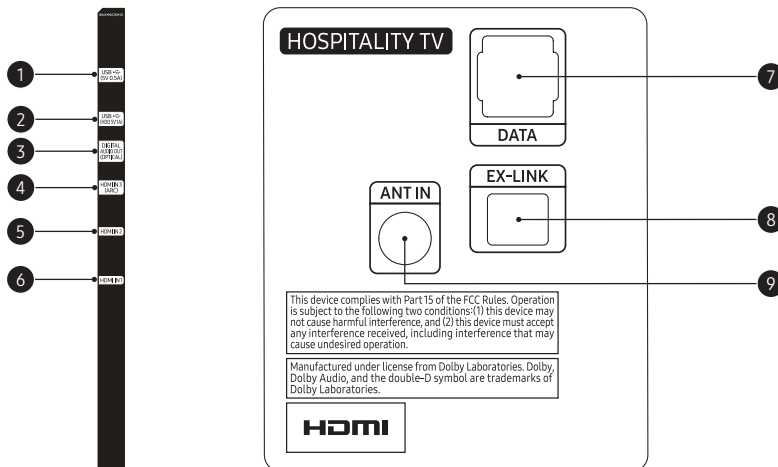
1	2	3	4	5	6
57.4"	33.0"	65.0"	35.8"	2.4"	14.0"



NJ678U Series Connectivity

HG43NJ678UFXZA, HG50NJ678UFXZA, HG55NJ678UFXZA and HG65NJ678UFXZA

- | | | |
|--------------------------------|--------------------|----------------------|
| 1. USB (5V 0.5A) | 4. HDMI In 3 (ARC) | 7. Data (RJ12) |
| 2. USB (HDD 5V 1A) | 5. HDMI In 2 | 8. Ex-Link (RS-232C) |
| 3. Digital Audio Out (Optical) | 6. HDMI In 1 | 9. Antenna In |



Samsung NJ678U Series Hospitality TVs

NJ678U Series Key Specifications For complete product specifications, visit samsung.com/hospitality

		HG43NJ678UFXZA	HG50NJ678UFXZA	HG55NJ678UFXZA	HG65NJ678UFXZA
Display	Backlight	LED	LED	LED	LED
	Screen Size (Diagonal)	43"	50"	55"	65"
Video	HD / FHD / UHD Resolution	UHD 3840 x 2160	UHD 3840 x 2160	UHD 3840 x 2160	UHD 3840 x 2160
	Picture Engine	UHD Mastering Engine	UHD Mastering Engine	UHD Mastering Engine	UHD Mastering Engine
Audio	Auto Motion Plus	Yes	Yes	Yes	Yes
	Film Mode	Yes	Yes	Yes	Yes
SMART TV Features	Dolby Digital Plus	Yes	Yes	Yes	Yes
	Sound Output (RMS)	20W (L:10W, R:10W)	20W (L:10W, R:10W)	20W (L:10W, R:10W)	20W (L:10W, R:10W)
Processor	Speaker Type	2CH (Down Firing w/Bass Reflex)	2CH (Down Firing w/Bass Reflex)	2CH (Down Firing w/Bass Reflex)	2CH (Down Firing w/Bass Reflex)
	Non Smart	Non Smart	Non Smart	Non Smart	Non Smart
Accessibility	Processor	Quad Core	Quad Core	Quad Core	Quad Core
	Voice Guide / Enlarge/ High Contrast/ Learn TV Remote / Multi-Output Audio	Yes	Yes	Yes	Yes
	Digital Clean View	Yes	Yes	Yes	Yes
	Auto Channel Search	Yes	Yes	Yes	Yes
	Auto Power Off	Yes	Yes	Yes	Yes
	Caption (Subtitle)	Yes	Yes	Yes	Yes
	ConnectShare™ (HDD)	Yes	Yes	Yes	Yes
	ConnectShare™ (USB 2.0)	Yes	Yes	Yes	Yes
	EPG	Yes	Yes	Yes	Yes
	Game Mode	Yes	Yes	Yes	Yes
	OSD Language	English, Spanish, French	English, Spanish, French	English, Spanish, French	English, Spanish, French
	System	Digital Broadcasting	ATSC / Clear QAM	ATSC / Clear QAM	ATSC / Clear QAM
Hospitality Features	Analog Tuner	Yes	Yes	Yes	Yes
	Samsung LYNK™ REACH (RF)	REACH 4.0	REACH 4.0	REACH 4.0	REACH 4.0
Input and Output	bLAN	Yes	Yes	Yes	Yes
	Hospitality Home Menu	Home Menu 2017	Home Menu 2017	Home Menu 2017	Home Menu 2017
	Hospitality Plug&Play (Easy Setup)	Yes	Yes	Yes	Yes
	Auto Source Mode	Yes	Yes	Yes	Yes
	Power On Mode	Yes	Yes	Yes	Yes
	Hotel Channel List	Yes	Yes	Yes	Yes
	Channel Menu Display	Yes	Yes	Yes	Yes
	Mixed Channel List (ATSC, DVB-T/T2/C/S2, Analog)	Yes	Yes	Yes	Yes
	My Channel	Yes	Yes	Yes	Yes
	Energy Saving Mode (BLU Control)	Yes	Yes	Yes	Yes
	Logo Display with Timer Out Setting (BMP/Movie)	Yes	Yes	Yes	Yes
	Welcome Message	Yes	Yes	Yes	Yes
	RJ12 / IR Pass Through	Yes	Yes	Yes	Yes
	Clock Back Up Power Supply	Yes	Yes	Yes	Yes
	Multi Code Remote Control	Yes	Yes	Yes	Yes
	Screwed Battery Cover	Yes	Yes	Yes	Yes
	Sound Bar Compatibility	Yes	Yes	Yes	Yes
	Music Mode (Input: PC/AV/Component/HDMI)	Yes	Yes	Yes	Yes
	Music Mode Backlight On/Off	Yes	Yes	Yes	Yes
	USB Cloning	Yes	Yes	Yes	Yes
Design	Smooovie Compatibility	Yes	Yes	Yes	Yes
	On/Off Timer (Schedule)	Yes	Yes	Yes	Yes
Eco	Wake-up Timer (Alarm)	Yes	Yes	Yes	Yes
	ENERGY STAR	Yes	Yes	Yes	Yes
Dimensions (W x H x D)	Samsung LYNK™ DRM RF	Yes	Yes	Yes	Yes
	Pro:Idiom	Yes	Yes	Yes	Yes
Weight	Security Mode	Yes	Yes	Yes	Yes
	S/W EPG (Solution EPG)	Yes	Yes	Yes	Yes
Power	HDMI (Side/Rear)	3/0	3/0	3/0	3/0
	USB (Side/Rear)	2/0	2/0	2/0	2/0
Accessory	Digital Audio Out (Optical) (Side/Rear)	1/0	1/0	1/0	1/0
	RF In (Terrestrial / Cable Input)	0/1	0/1	0/1	0/1
VESA Standard	Ex-Link (RS-232C) (Side/Rear)	0/1	0/1	0/1	0/1
	HDMI A / Return Ch. Support	Yes	Yes	Yes	Yes
Eco	Anynet+ (HDMI-CEC)	Yes	Yes	Yes	Yes
	RJ12 (Side/Rear)	0/1	0/1	0/1	0/1
Dimensions (W x H x D)	RJP Jack (For Remote Jackpack) (Side/Rear)	0/1	0/1	0/1	0/1
	Front Color	Charcoal Black	Charcoal Black	Charcoal Black	Charcoal Black
Weight	Stand Type	Square	Square	Square	Square
	Swivel (Degrees Left/Right)	Yes (20/20, 60/60, 90/90)	Yes (20/20, 60/60, 90/90)	Yes (20/20, 60/60, 90/90)	Yes (20/20, 60/60, 90/90)
Power	ENERGY STAR	Yes	Yes	Yes	Yes
	Eco Sensor	Yes	Yes	Yes	Yes
Accessory	Remote Controller Model	TM1240A	TM1240A	TM1240A	TM1240A
	Batteries (for Remote Control)	Yes	Yes	Yes	Yes
Dimensions (W x H x D)	Mini Wall Mount Support	Yes	Yes	Yes	Yes
	Vesa Wall Mount Support	Yes	Yes	Yes	Yes
Weight	Power Cable	Yes	Yes	Yes	Yes
	Quick Install Guide	Yes	Yes	Yes	Yes
Power	Data Cable	Yes	Yes	Yes	Yes
	Stand Mount Kit	Yes	Yes	Yes	Yes
VESA Standard	Security Screws	Yes	Yes	Yes	Yes
	VESA Size (mm)	200 x 200	200 x 200	200 x 200	400 x 400

Learn More

samsung.com/business insights.samsung.com samsung.com/hospitality

Product Support

1-866-SAM4BIZ

Follow Us

[youtube.com/samsungbizusa](https://www.youtube.com/samsungbizusa) [@SamsungBizUSA](https://twitter.com/SamsungBizUSA)**SAMSUNG**